



US00D377662S

United States Patent [19]

Ootani et al.

[11] Patent Number: **Des. 377,662**

[45] Date of Patent: ****Jan. 28, 1997**

[54] **IMAGE DRUM CARTRIDGE**

D. 354,980	1/1995	Nakajima et al.	D18/43
4,523,615	6/1985	Feenstra et al.	355/260
4,596,455	6/1986	Kohyama et al.	355/260

[75] Inventors: **Sinichi Ootani; Minoru Mizutani; Yoshiharu Momiyama**, all of Tokyo, Japan

Primary Examiner—Nelson C. Holtje
Assistant Examiner—Caron D. Veynar
Attorney, Agent, or Firm—Ladas & Parry

[73] Assignee: **Oki Data Corporation**, Tokyo, Japan

[**] Term: **14 Years**

[57] **CLAIM**

[21] Appl. No.: **40,978**

The ornamental design for image drum cartridge, as shown and described.

[22] Filed: **Jun. 30, 1995**

DESCRIPTION

[30] **Foreign Application Priority Data**

FIG. 1 is a front view of an embodiment of an image drum cartridge showing my new design;
FIG. 2 is a rear view of the embodiment of FIG. 1;
FIG. 3 is a top view of the embodiment of FIG. 1;
FIG. 4 is a bottom view of the embodiment of FIG. 1;
FIG. 5 is a right side view of the embodiment of FIG. 1;
FIG. 6 is a left side view of the embodiment of FIG. 1; and,
FIG. 7 is a perspective view of the embodiment of FIG. 1.

Jan. 9, 1995 [JP] Japan 7-000051

[52] U.S. Cl. **D18/43; D18/40**

[58] Field of Search D18/36, 40, 43;
222/DIG. 1; 355/206, 208, 245, 260, 298

[56] **References Cited**

U.S. PATENT DOCUMENTS

D. 332,962 2/1993 Kikuchi et al. D18/43

1 Claim, 5 Drawing Sheets

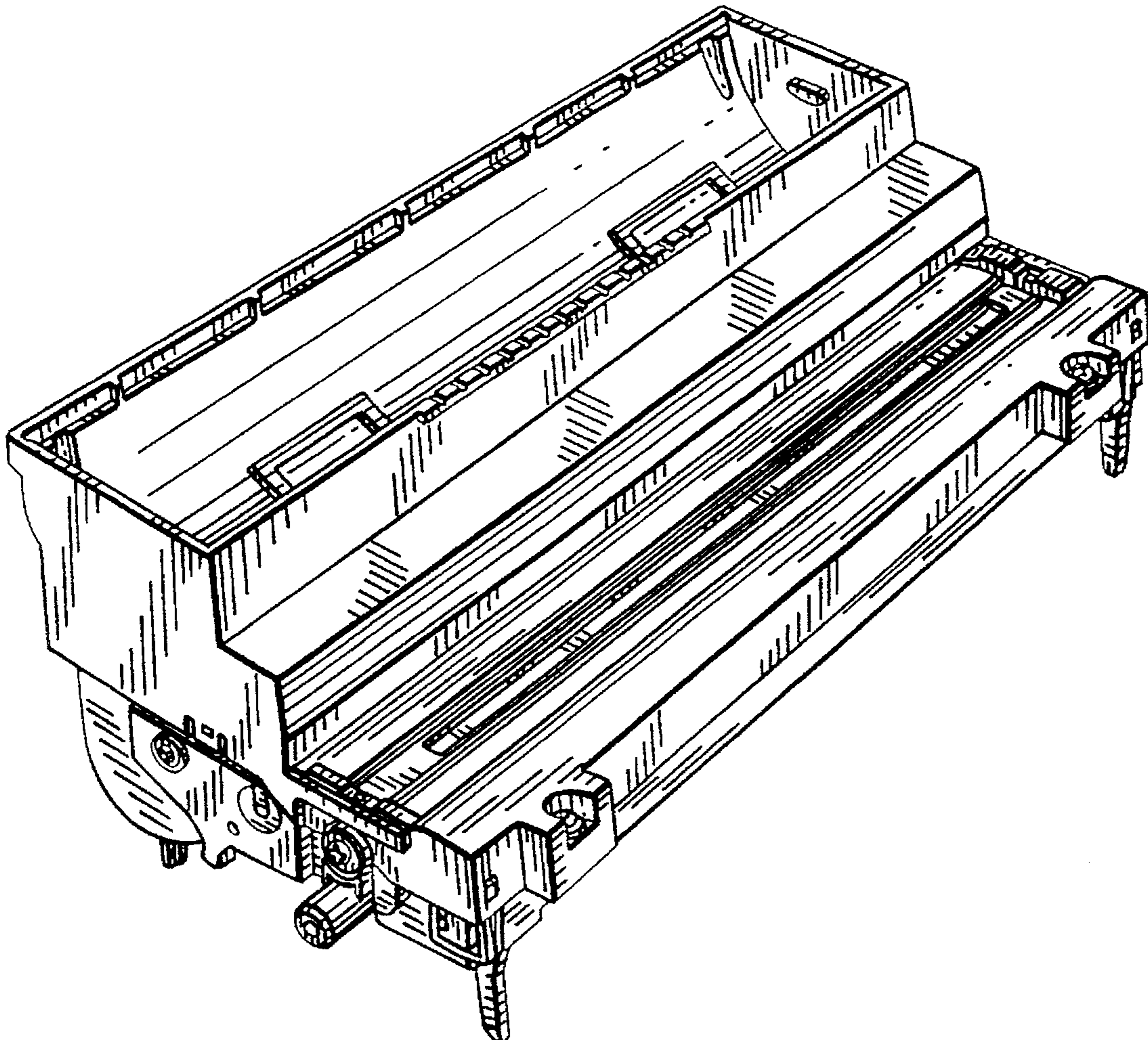


FIG. 1

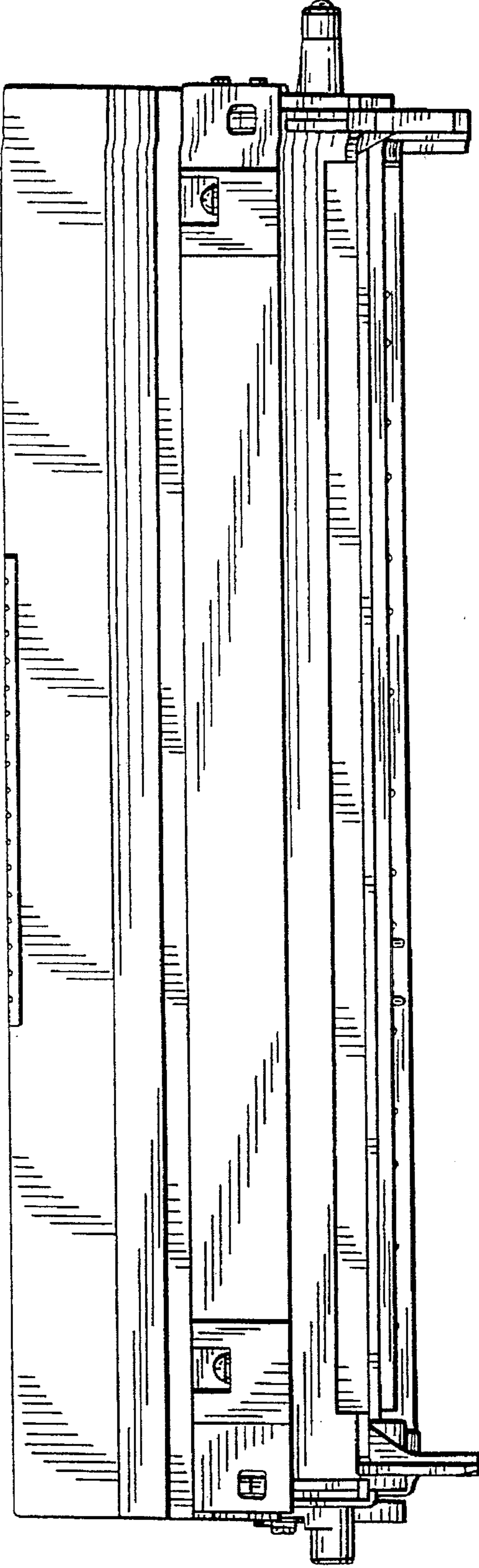


FIG. 2

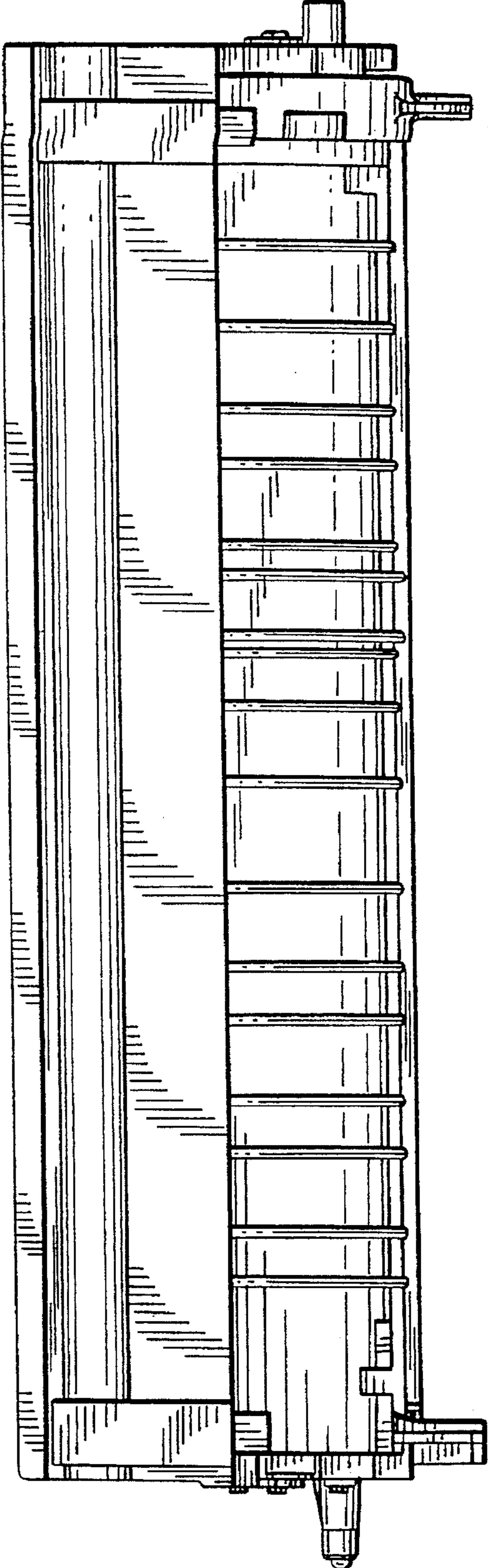
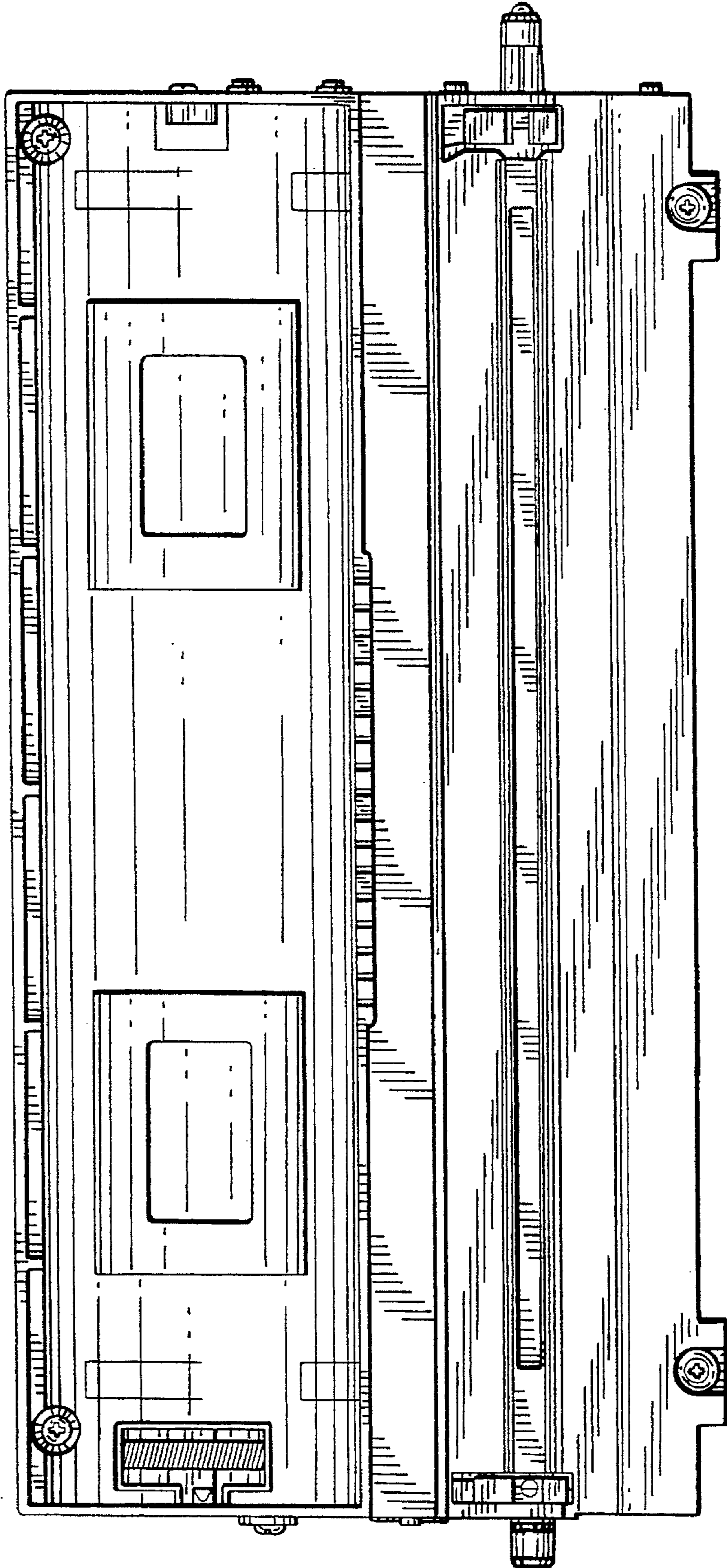


FIG. 3



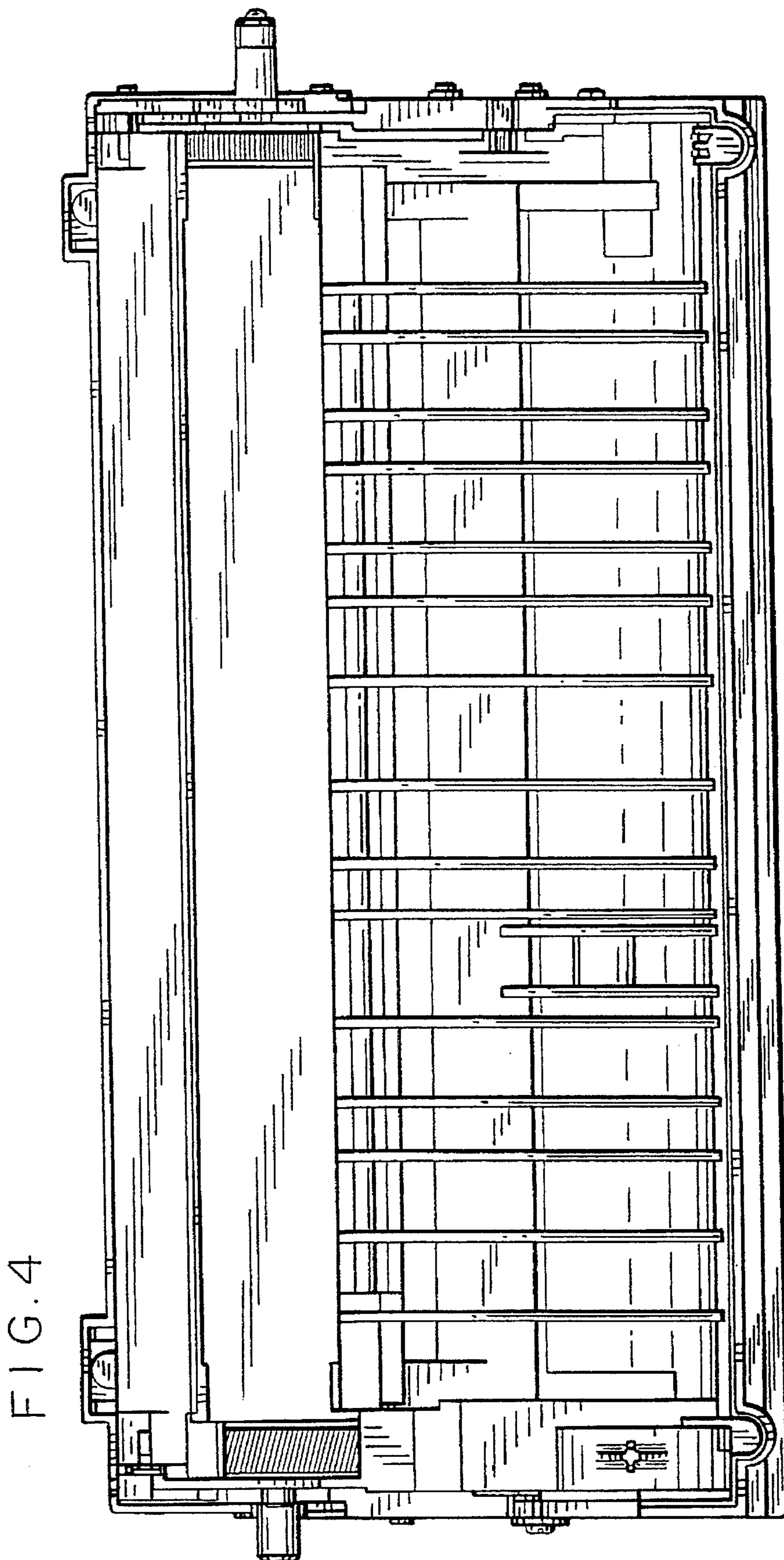


FIG. 4

FIG. 5

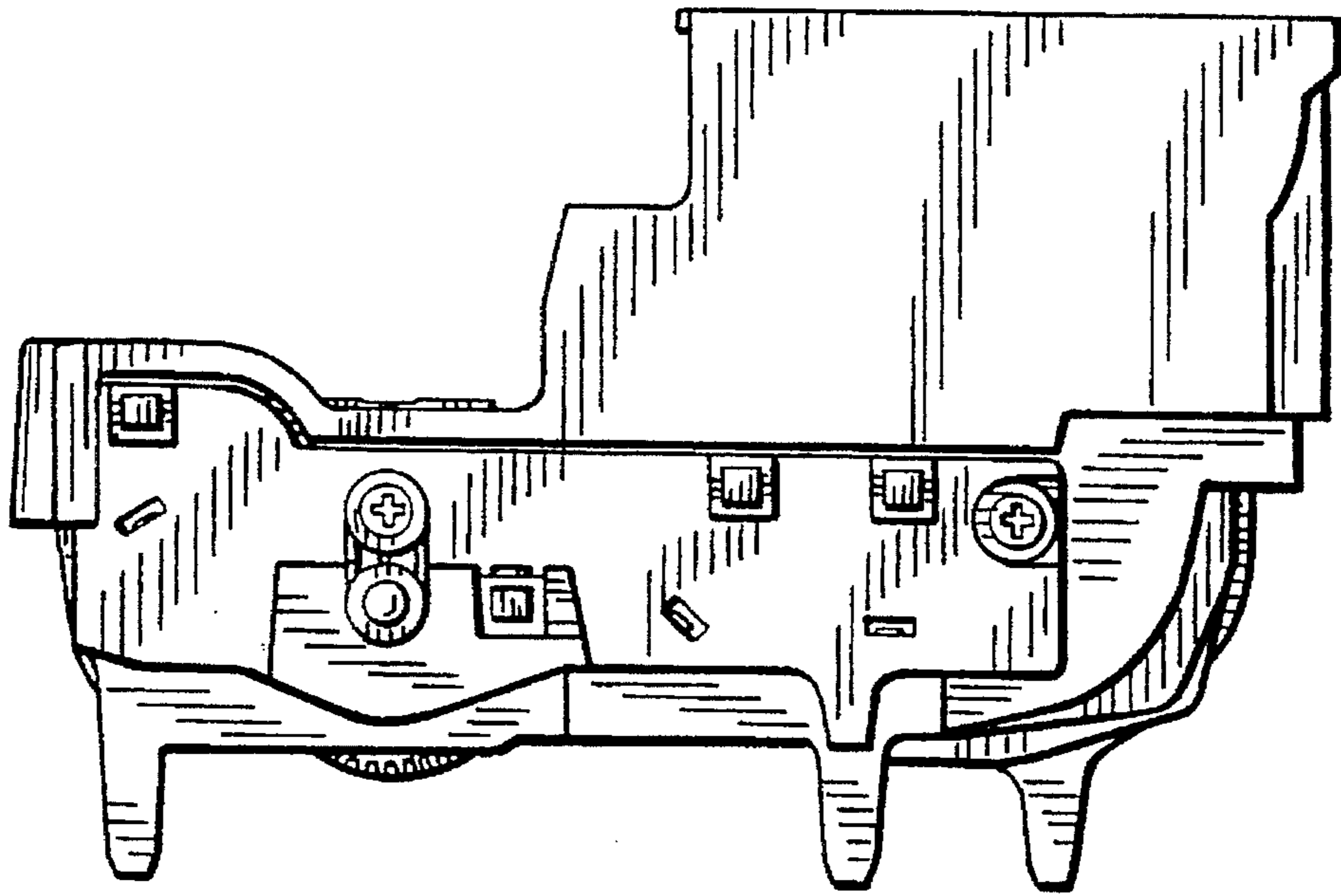


FIG. 6

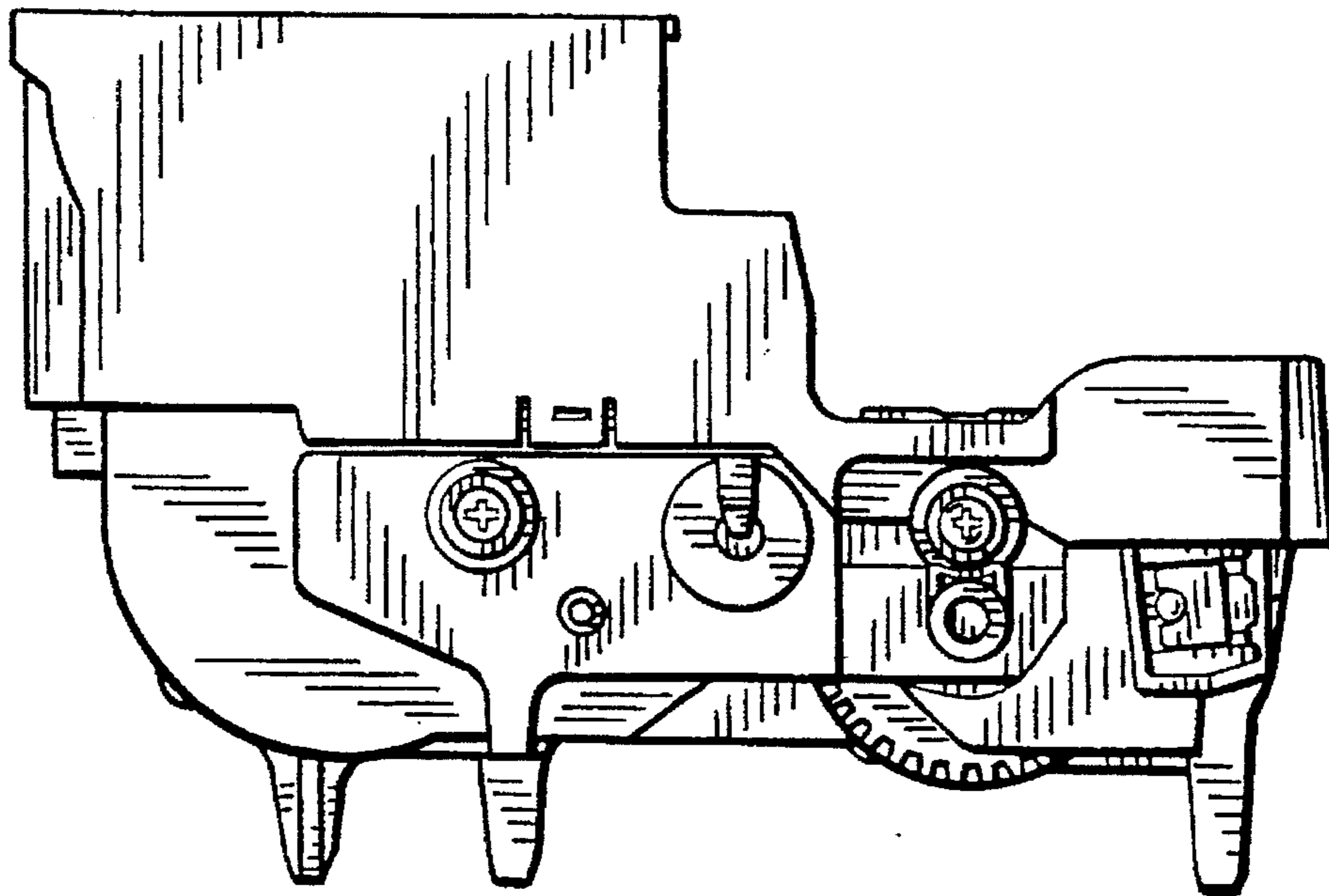


FIG. 7

