



US00D377661S

United States Patent [19]

[11] Patent Number: **Des. 377,661**

Kida et al.

[45] Date of Patent: ****Jan. 28, 1997**

[54] **BASE FOR A STAMPER**

[75] Inventors: **Masaki Kida; Motohide Imaizumi,**
both of Tokyo, Japan

[73] Assignee: **Shachihata Inc.,** Nagoya, Japan

[**] Term: **14 Years**

[21] Appl. No.: **53,357**

[22] Filed: **Apr. 19, 1996**

[30] **Foreign Application Priority Data**

Nov. 15, 1995 [JP] Japan 7-34652

[52] **U.S. Cl.** **D18/18**

[58] **Field of Search** D18/15, 16, 17,
D18/18; 118/264, 268; 101/333, 327, 405,
406

[56] **References Cited**

U.S. PATENT DOCUMENTS

D. 280,911	10/1985	Rhoades	D18/15
D. 283,629	4/1986	Hewitt et al.	D18/15
2,891,472	6/1959	Holzer	101/405
3,491,683	1/1970	Farrow	118/264 X
4,172,419	10/1979	Munyon	101/327 X
4,676,162	6/1987	Phipps, Sr. et al.	101/327 X

Primary Examiner—Louis S. Zarfes
Assistant Examiner—Frank Martinez
Attorney, Agent, or Firm—Reid & Priest L.L.P.

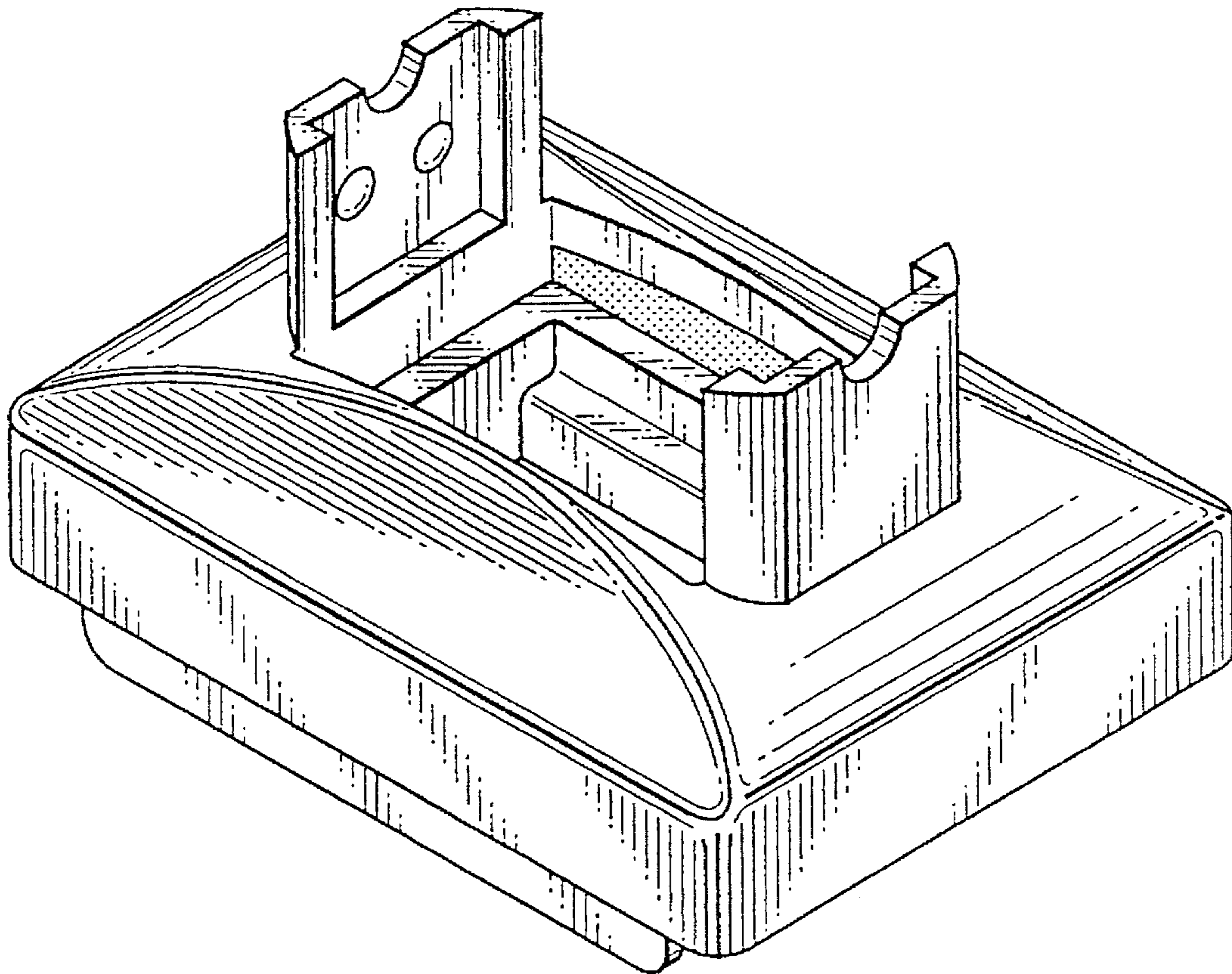
[57] **CLAIM**

The ornamental design for a base for a stamper, as shown in the drawings.

DESCRIPTION

FIG. 1 is a perspective view of a base for a stamper showing our new design;
FIG. 2 is a front view of FIG. 1 (A rear view would be the same as the front view);
FIG. 3 is a plan view of FIG. 1;
FIG. 4 is a bottom view of FIG. 1;
FIG. 5 is a right-side view of FIG. 1 (A left-side view would be a mirror image of the right-side view);
FIG. 6 is a reference front view of FIG. 1 which is mounted on a date stamper, the broken line showing of the date stamper is for illustrative purpose only and forms no part of the claimed design;
FIG. 7 is a section view taken along a line 7—7 in FIG. 3; and,
FIG. 8 is a section view taken along a line 8—8 in FIG. 3. The broken line showing of a stamper is for illustrative purposes only and forms no part of the claimed design.

1 Claim, 3 Drawing Sheets



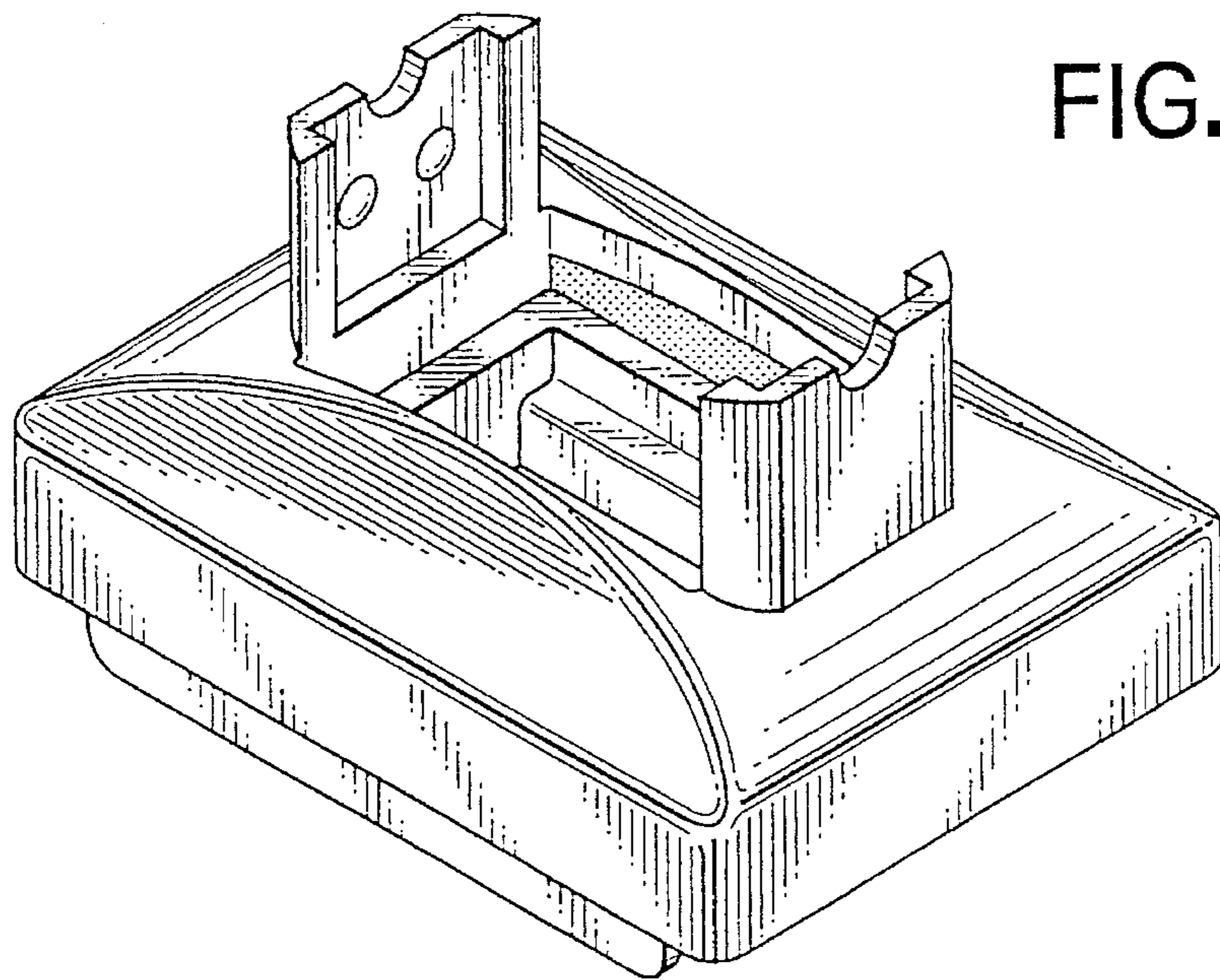


FIG. 1

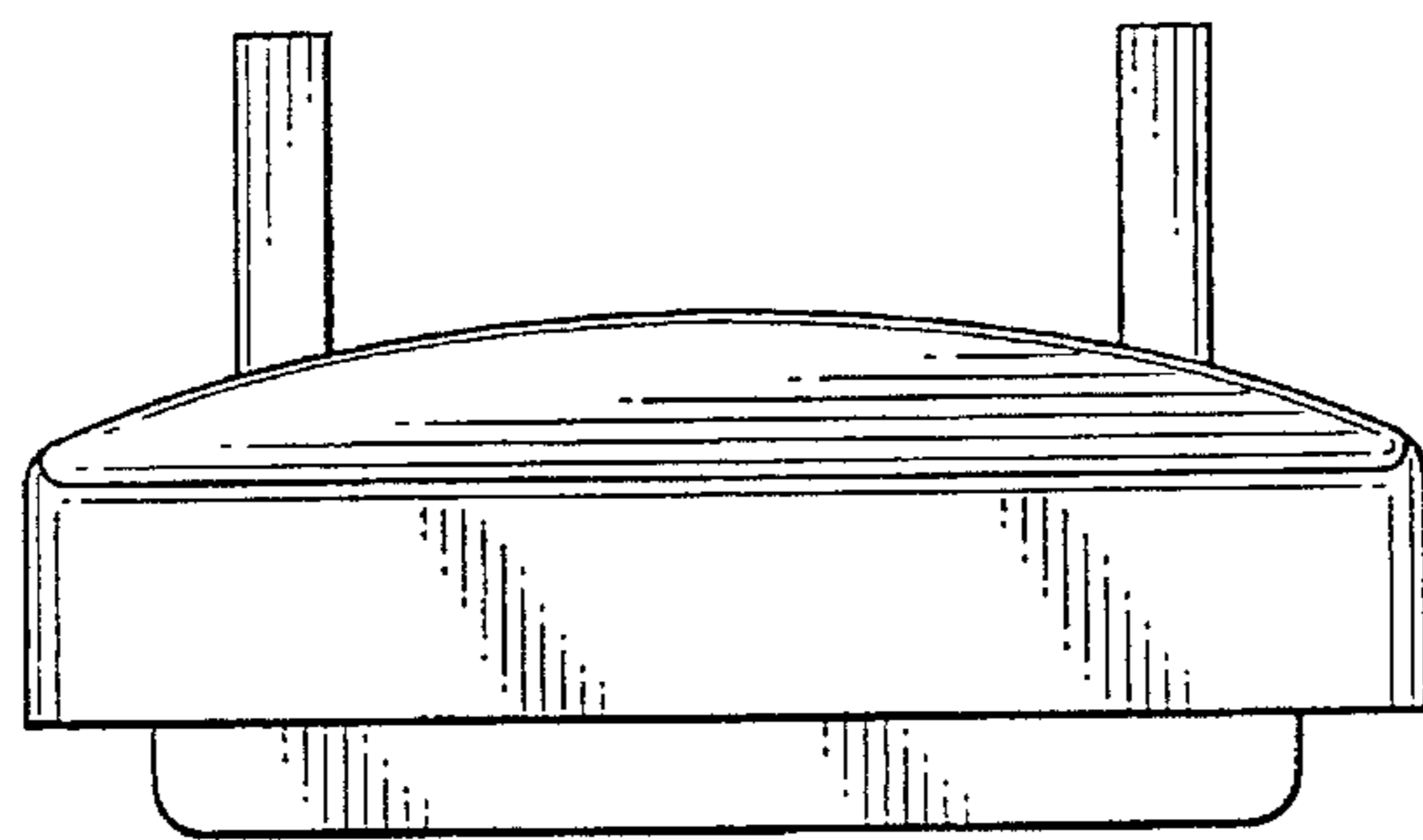


FIG. 2

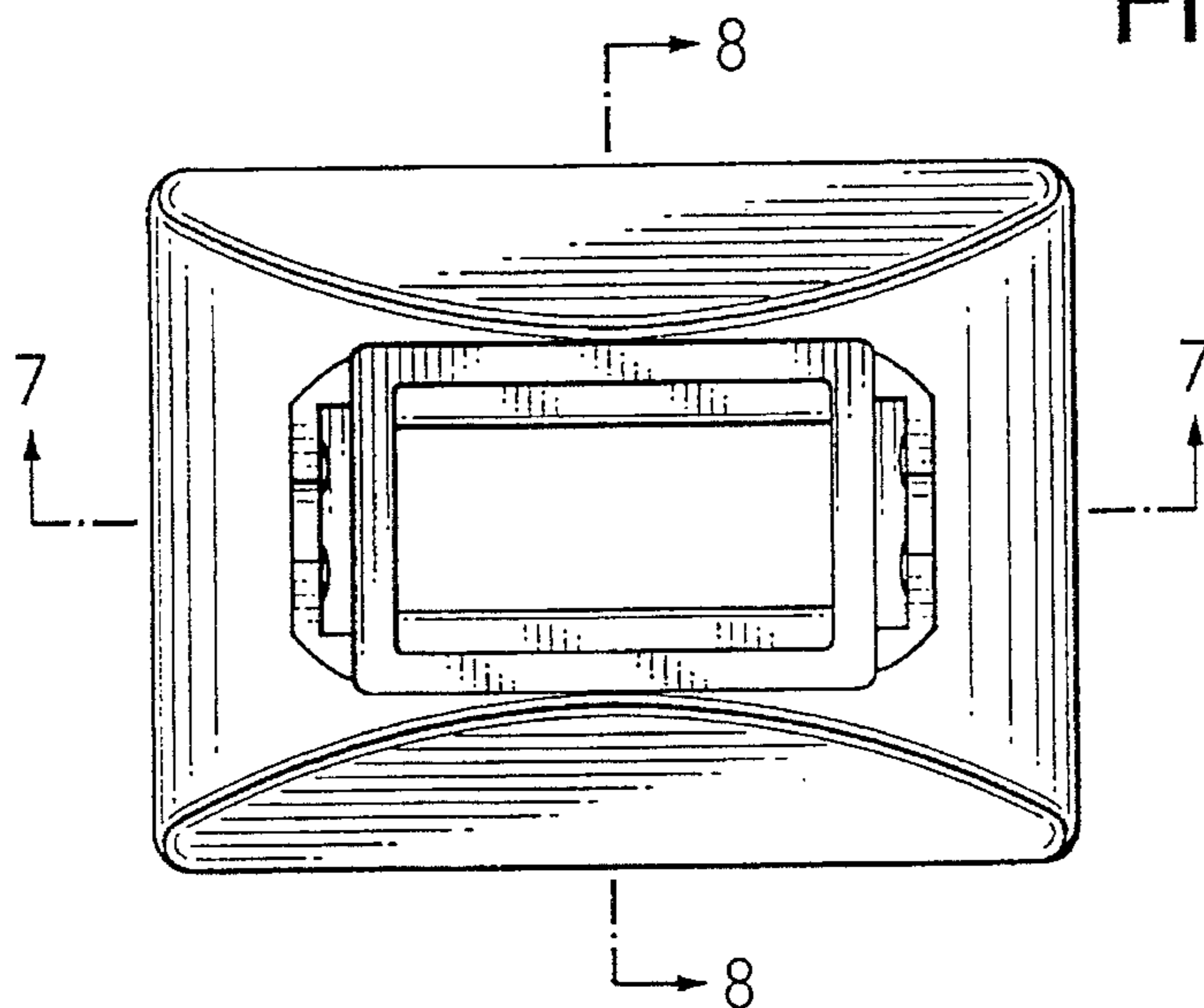


FIG. 3

FIG. 4

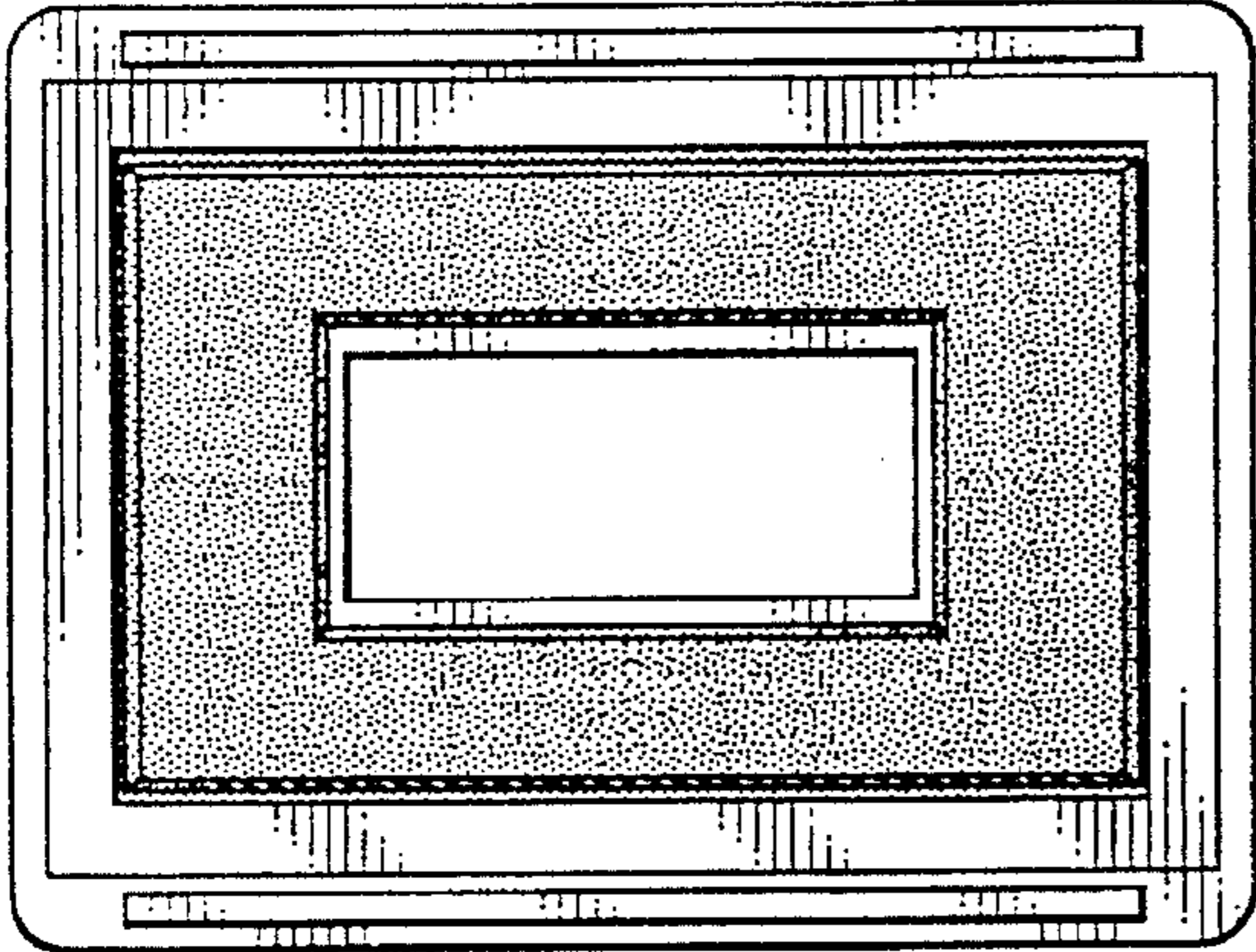


FIG. 5

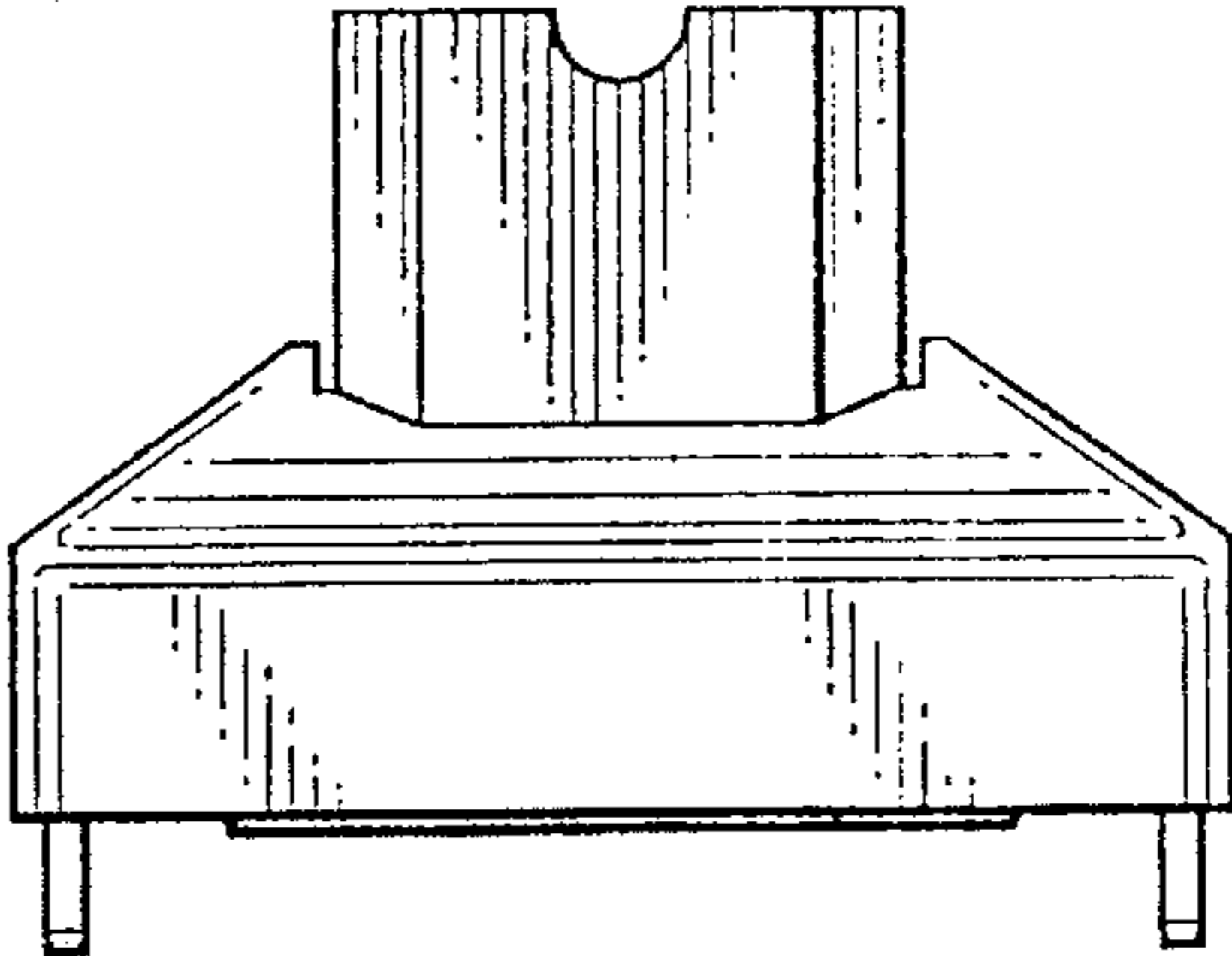


FIG. 6

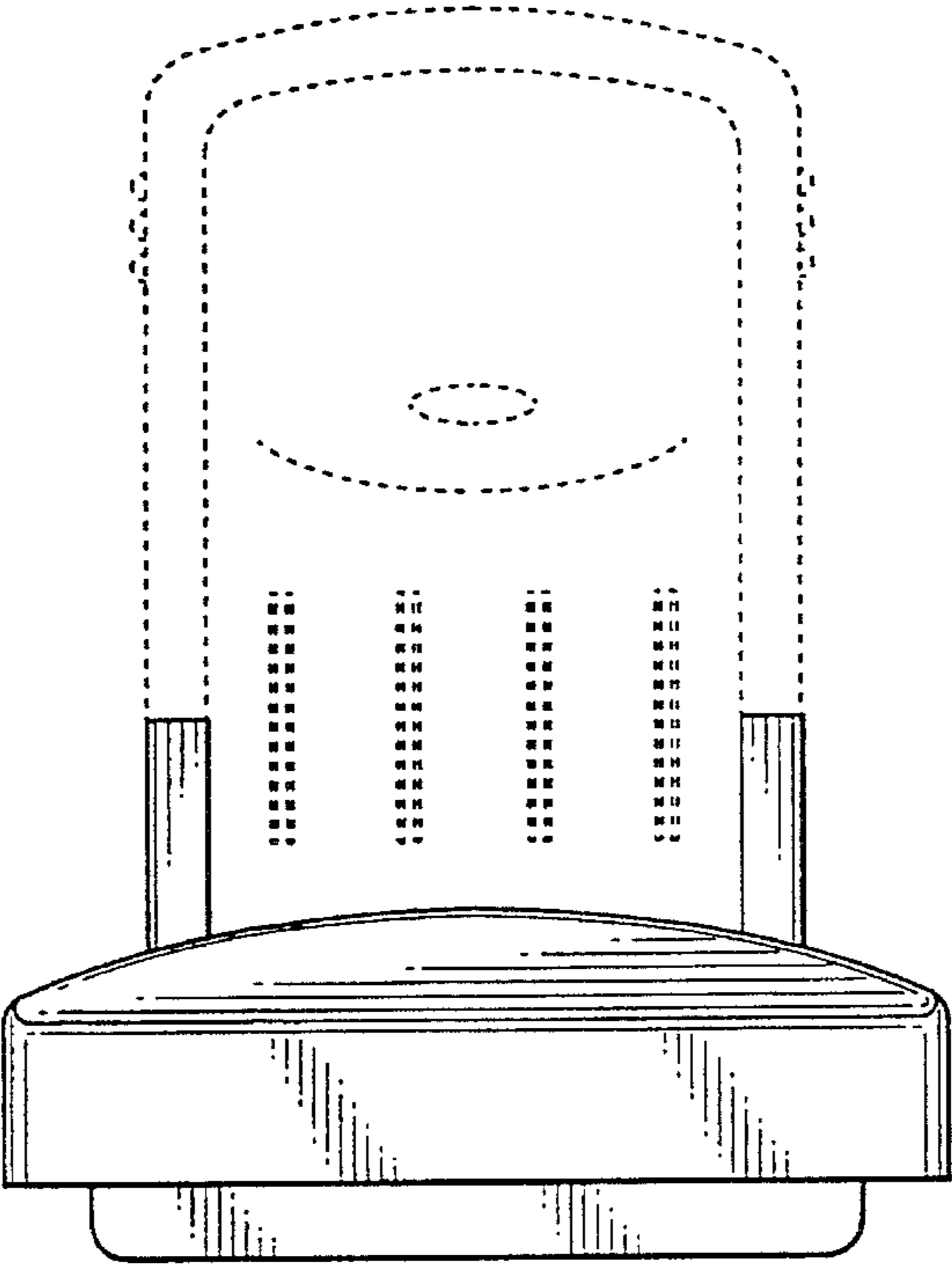


FIG. 7

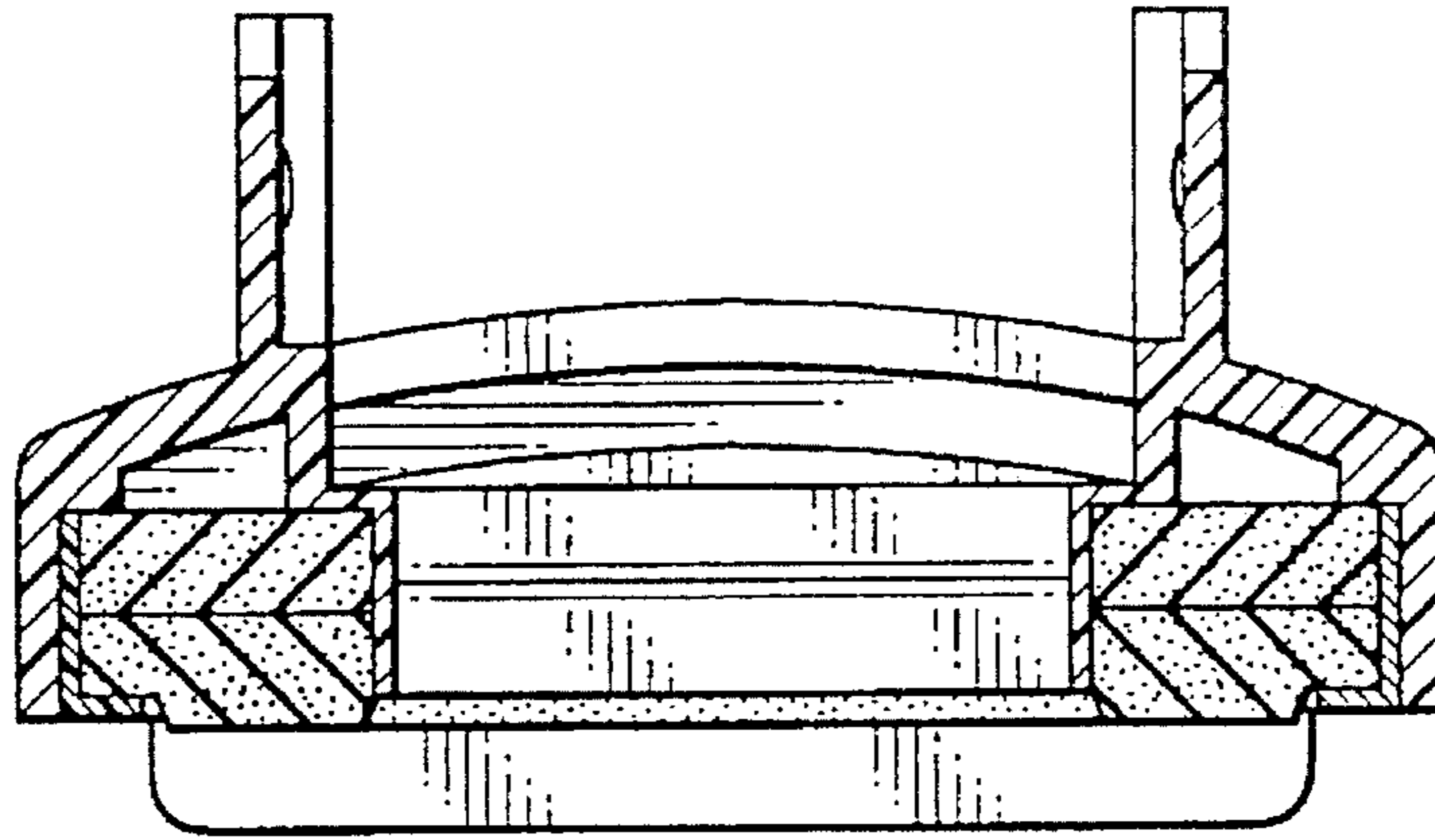


FIG. 8

