



US00D377660S

# United States Patent [19]

Kida et al.

[11] Patent Number: **Des. 377,660**

[45] Date of Patent: **\*\*Jan. 28, 1997**

[54] STAMPER

[75] Inventors: **Masaki Kida; Motohide Imaizumi,**  
both of Tokyo, Japan

[73] Assignee: **Shachihata Inc.,** Nagoya, Japan

[\*\*] Term: **14 Years**

[21] Appl. No.: **53,356**

[22] Filed: **Apr. 19, 1996**

### [30] Foreign Application Priority Data

Nov. 15, 1995 [JP] Japan ..... 7-34651

[52] U.S. Cl. .... **D18/15**

[58] Field of Search ..... D18/15, 16, 17,  
D18/18; 118/264, 268; 101/333, 327, 405,  
406

### [56] References Cited

#### U.S. PATENT DOCUMENTS

D. 158,186 4/1950 Fleming ..... D18/15  
D. 280,911 10/1985 Rhoades ..... D18/15  
D. 283,629 4/1986 Hewitt et al. .... D18/15

D. 318,685 7/1991 Kida ..... D18/15  
2,891,472 6/1959 Holzer ..... 101/405  
4,676,162 6/1987 Phipps, Sr. et al. .... 101/327 X

*Primary Examiner*—Louis S. Zarfaz  
*Assistant Examiner*—Frank Martinez  
*Attorney, Agent, or Firm*—Reid & Priest LLP

### [57] CLAIM

The ornamental design for a stamper, as shown.

### DESCRIPTION

FIG. 1 is a perspective view of a stamper showing our new design;

FIG. 2 is a front view of FIG. 1;

FIG. 3 is a plan view of FIG. 1;

FIG. 4 is a bottom view of FIG. 1;

FIG. 5 is a rear view of FIG. 1;

FIG. 6 is a left-side view of FIG. 1 (A right-side view would be a mirror image of the left-side view);

FIG. 7 is a section view taken along a line 7—7 in FIG. 2; and,

FIG. 8 is a section view taken along a line 8—8 in FIG. 6.

**1 Claim, 5 Drawing Sheets**

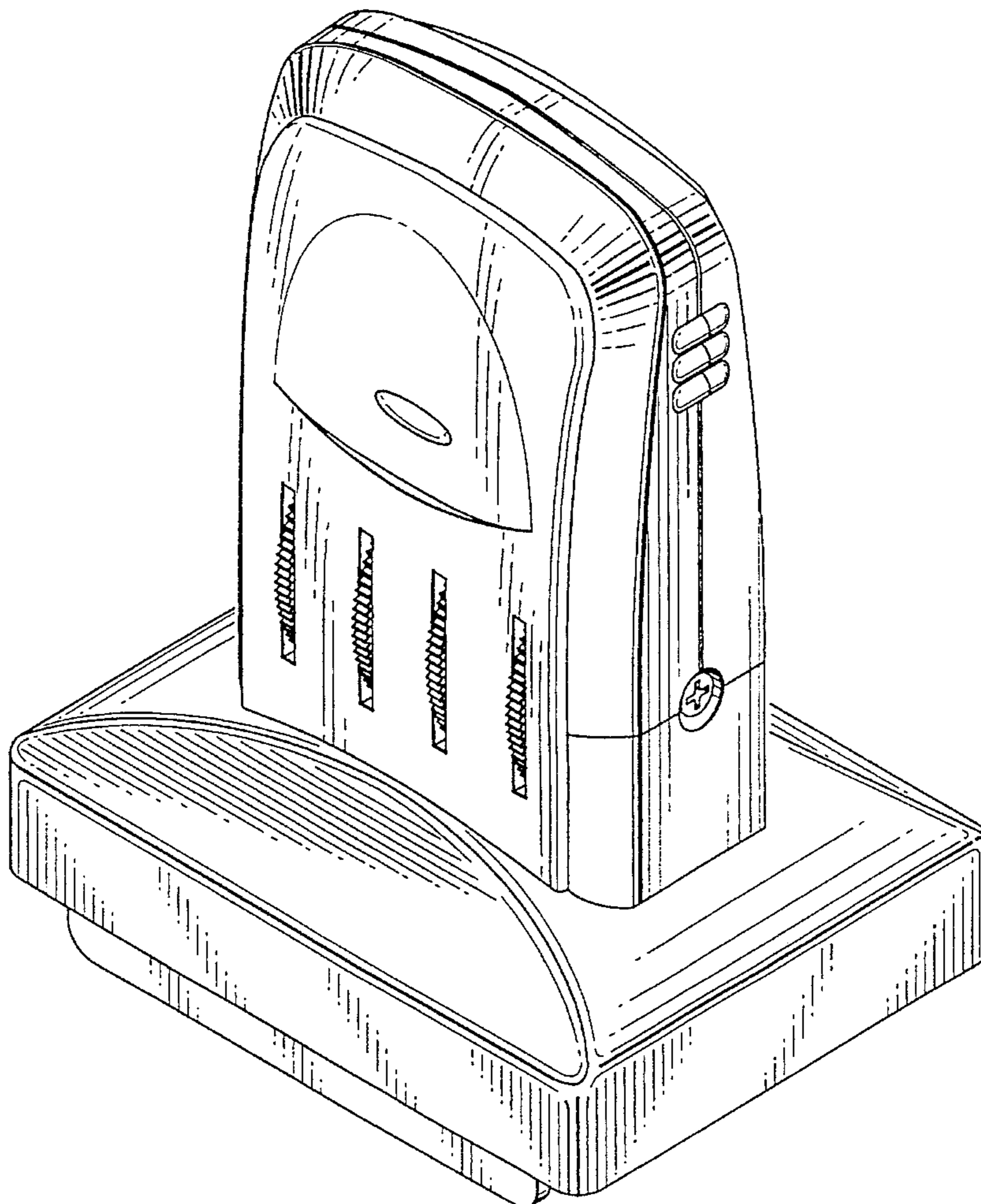


FIG. 1

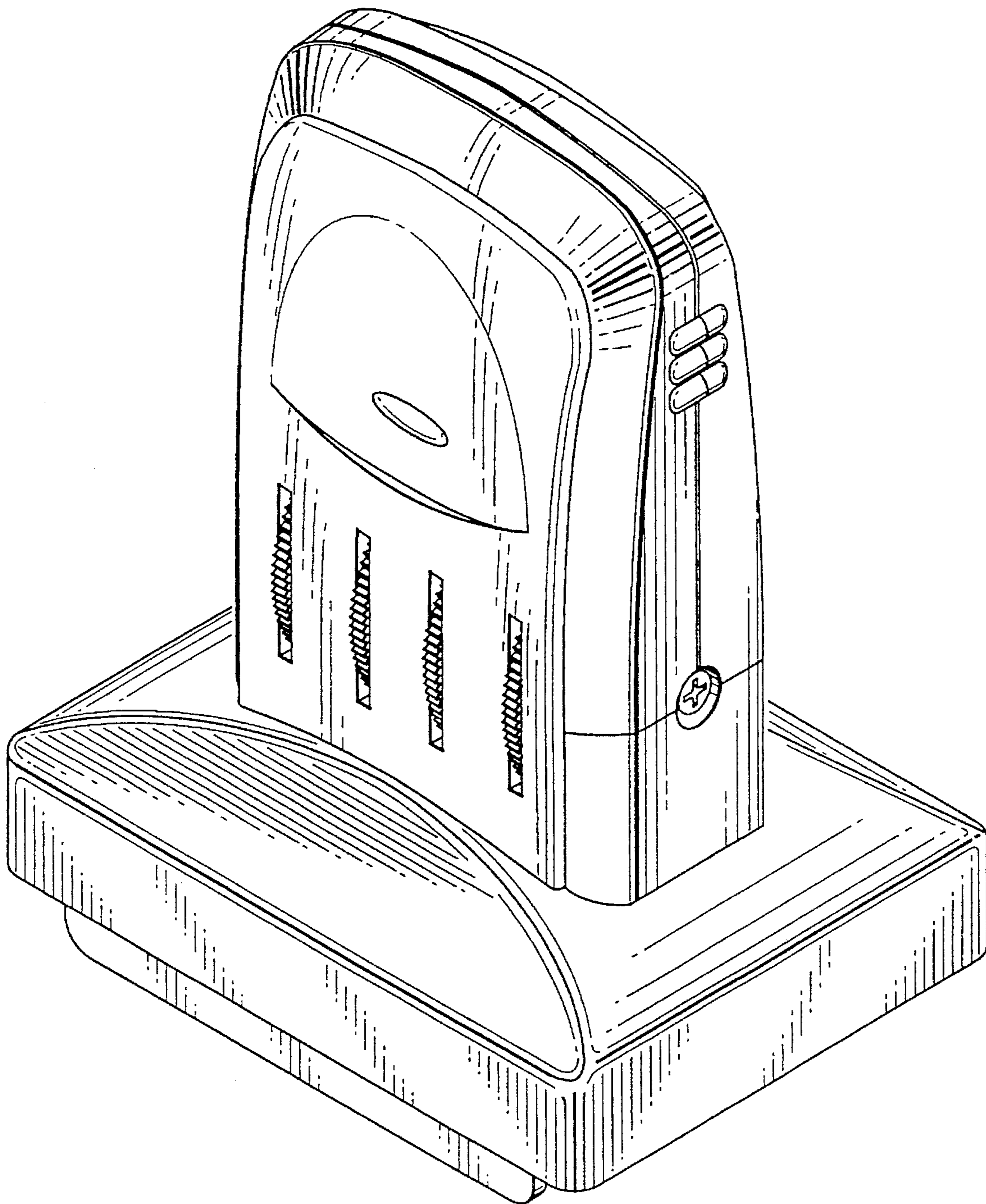


FIG. 2

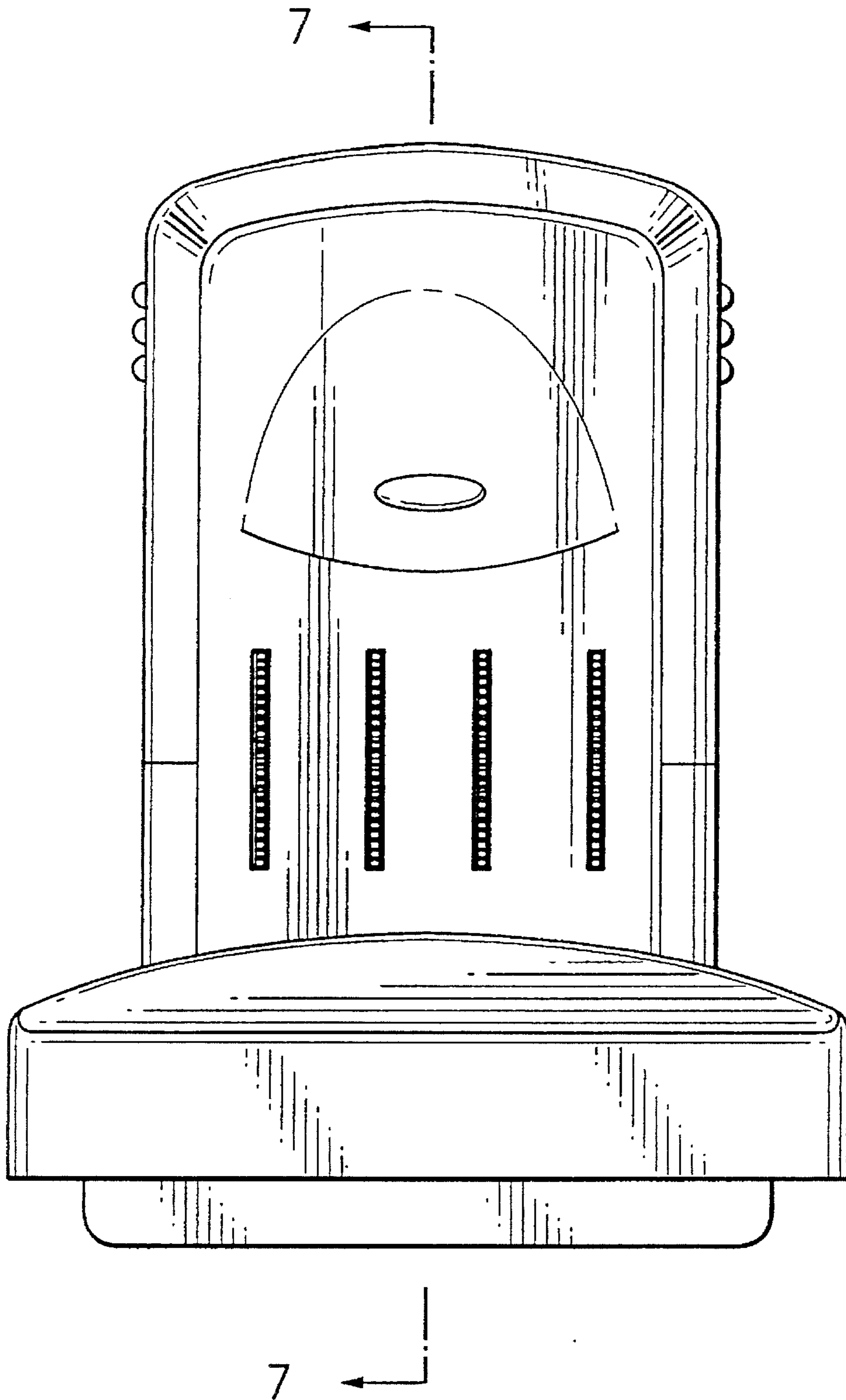


FIG. 3

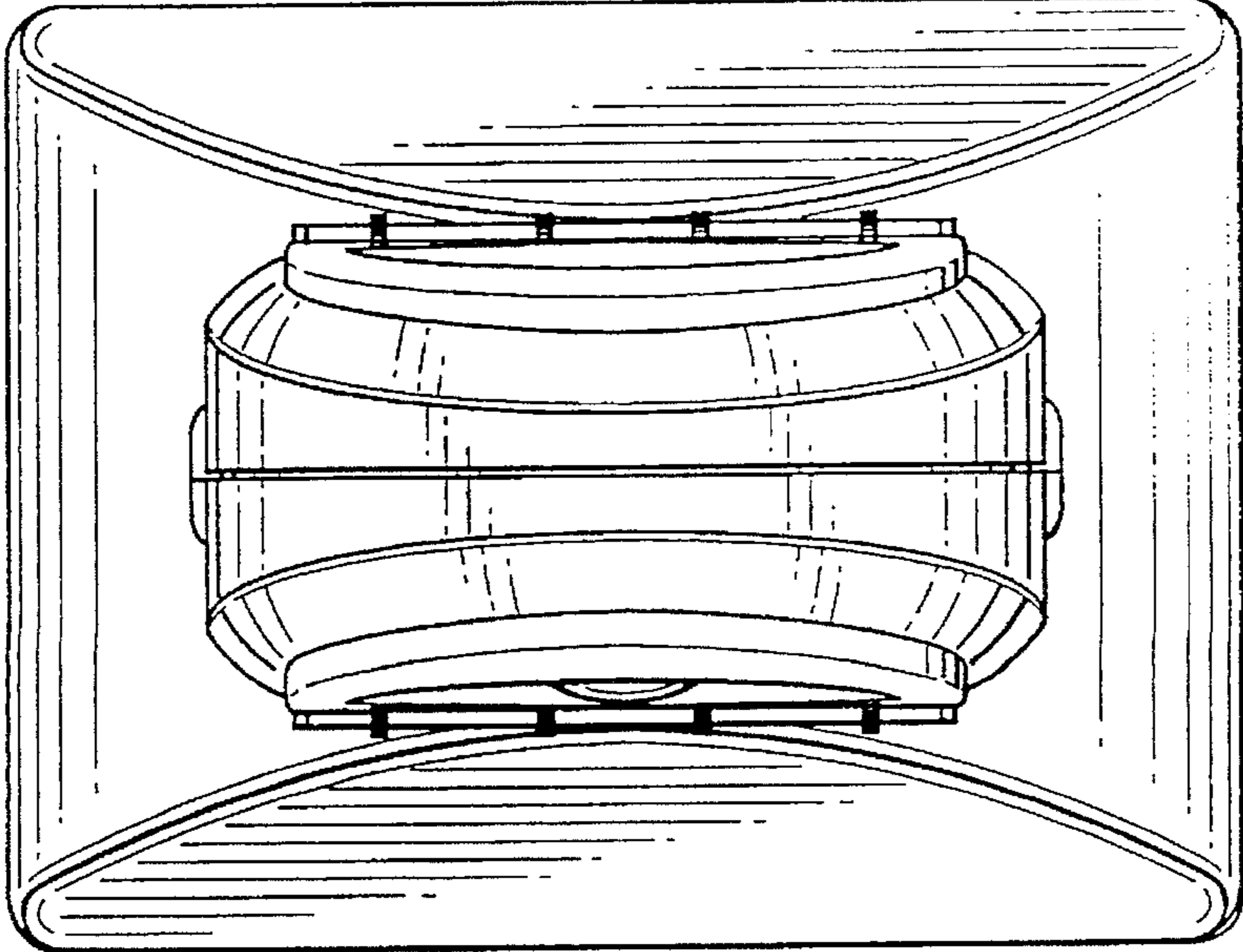


FIG. 4

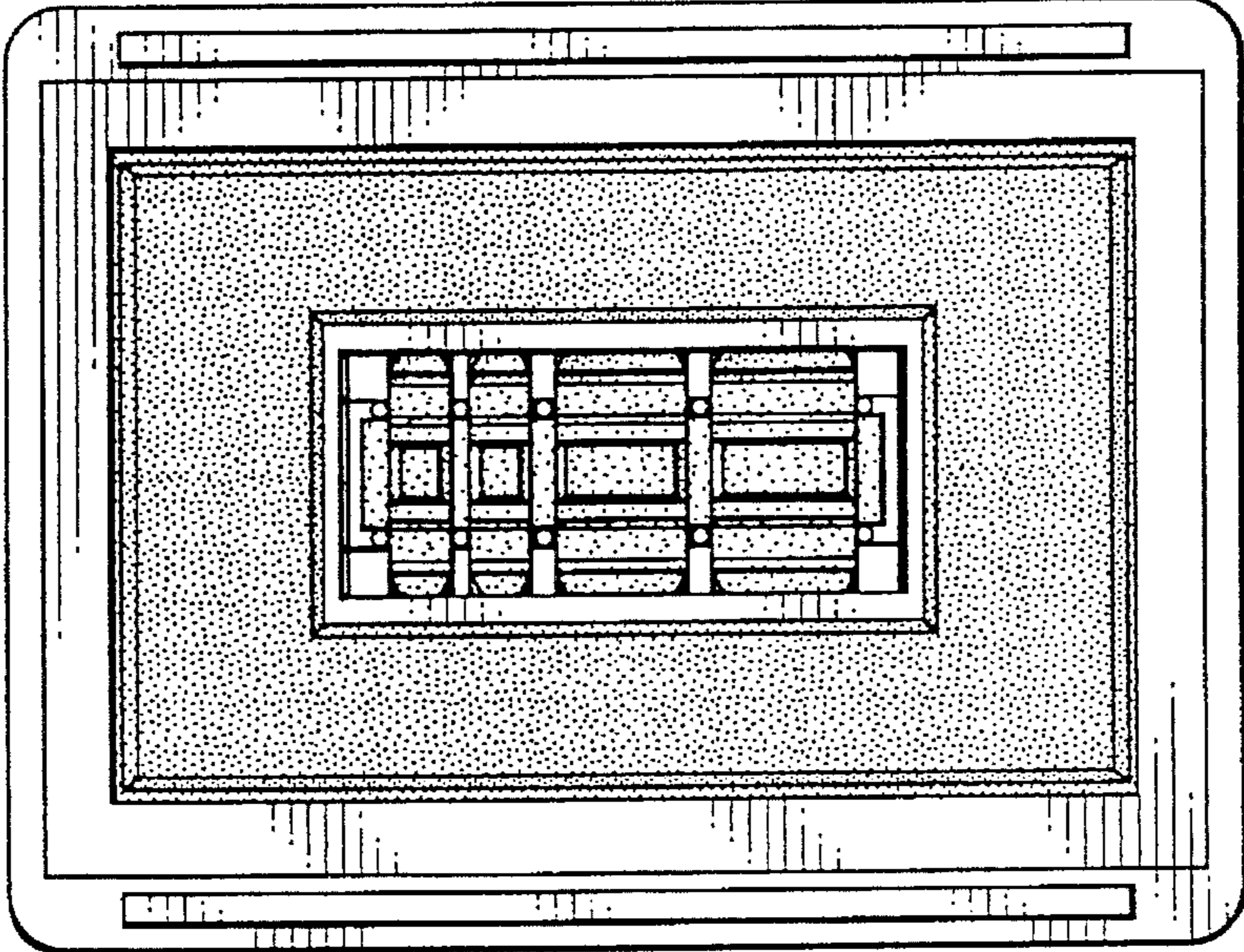


FIG. 5

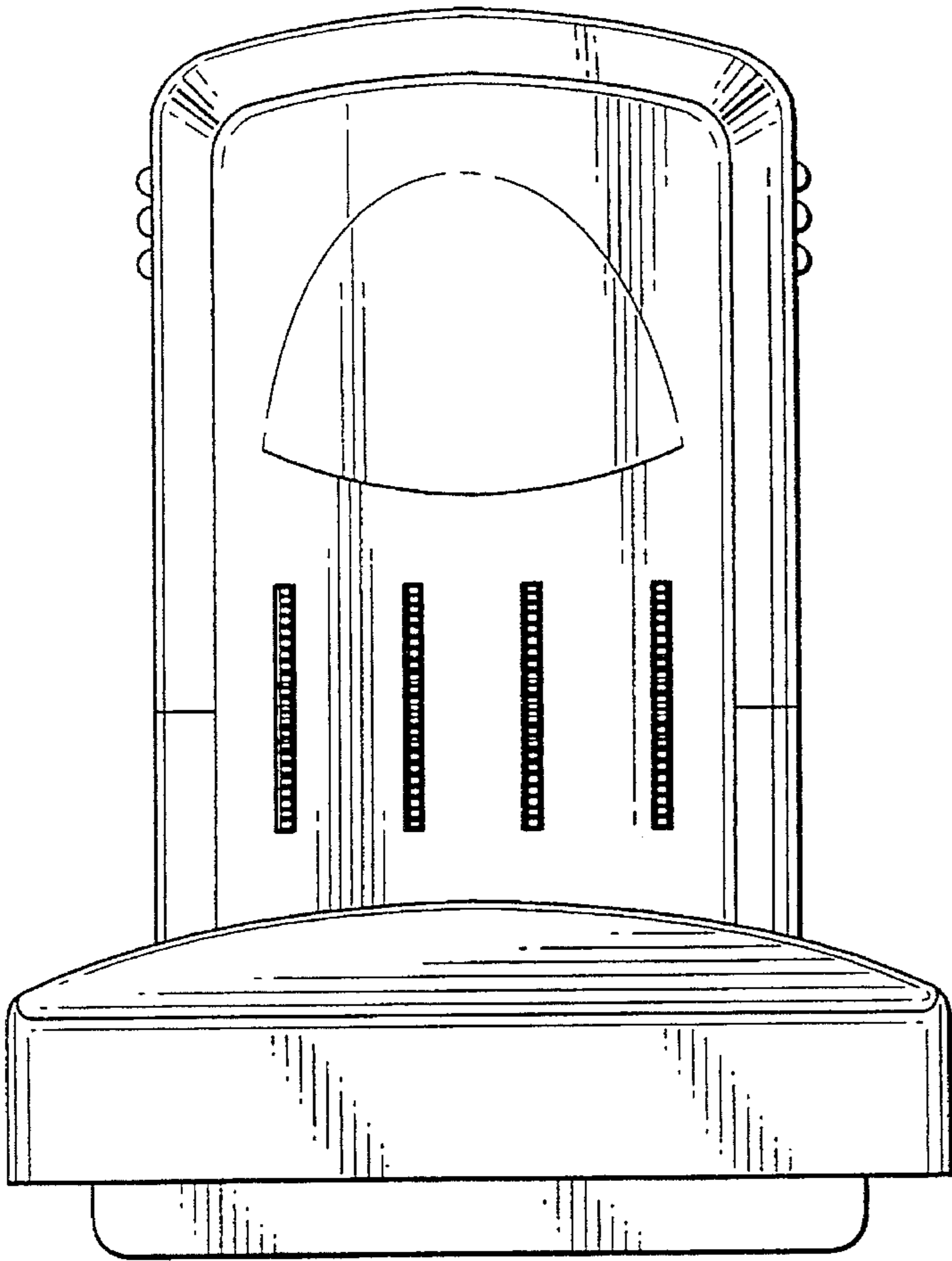


FIG. 6

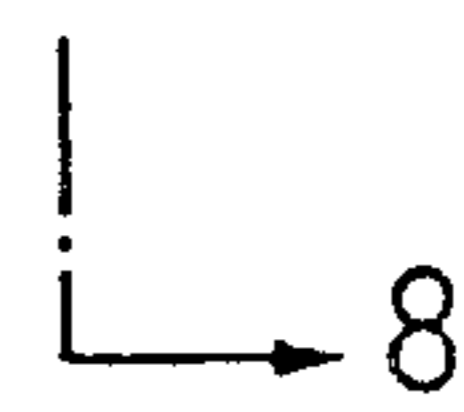
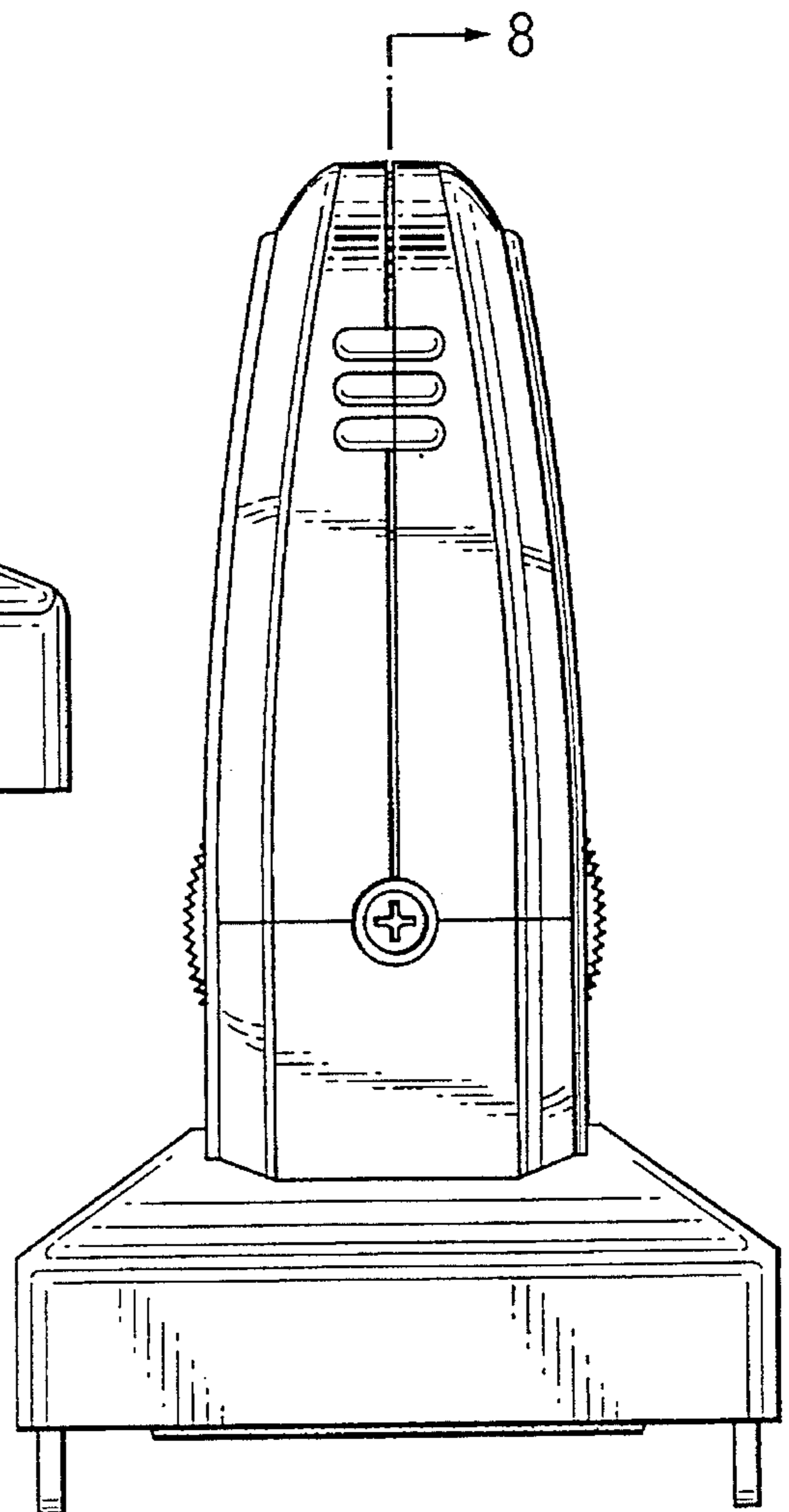


FIG. 7

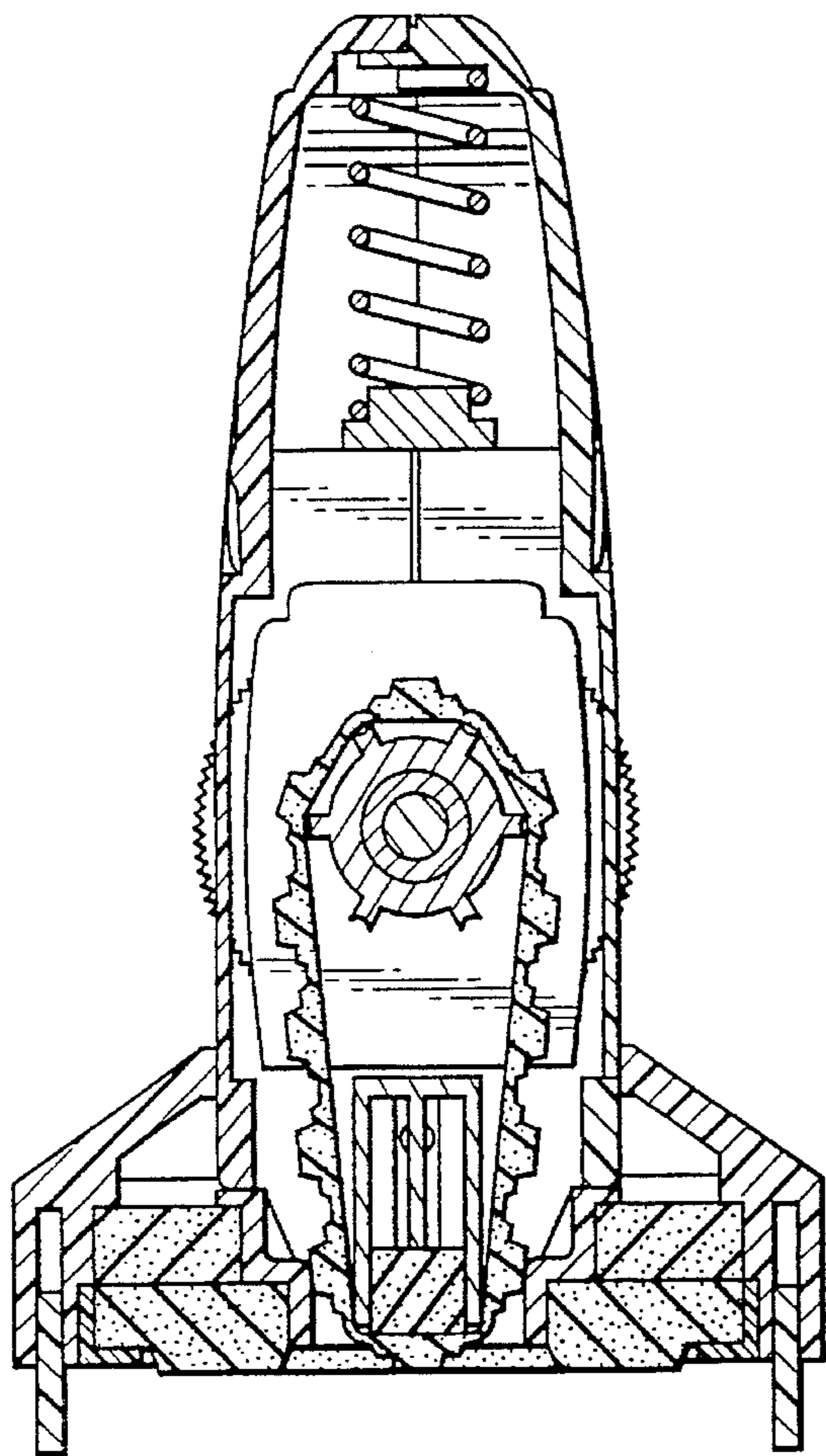


FIG. 8

