



US00D377654S

United States Patent [19]

Jedlicka et al.

[11] Patent Number: **Des. 377,654**

[45] Date of Patent: ****Jan. 28, 1997**

[54] **MOTORIZED TABLE SAW**

[75] Inventors: **Frederick B. Jedlicka**, Jerseyville, Ill.;
Daniel A. Terpstra, Kirkwood; **James D. Schroeder**, St. Peters, both of Mo.

[73] Assignee: **Emerson Electric Co.**, St. Louis, Mo.

[**] Term: **14 Years**

[21] Appl. No.: **40,464**

[22] Filed: **Jun. 19, 1995**

Related U.S. Application Data

[63] Continuation-in-part of Ser. No. 28,662, Sep. 19, 1994, abandoned.

[52] U.S. Cl. **D15/133**

[58] Field of Search D15/133; 83/468.7, 83/477.2, 432, 435.1, 468.3, 477, 522.1, 478, 440.2, 544, 468.7, 522.1 B; 269/318, 165, 180; 144/286.1

[56] **References Cited**

U.S. PATENT DOCUMENTS

D. 326,666 6/1992 Miyamoto et al. D15/133 X
D. 354,757 1/1995 Wixey D15/133

3,011,531	12/1961	Gaskell	143/174
4,269,096	5/1981	Boone	83/477
4,640,326	2/1987	Hewitt	144/287
4,846,036	7/1989	Metzger, Jr. et al.	83/438
4,860,807	8/1989	Vacchiano	144/286
4,969,496	11/1990	Romans	144/286
5,116,249	5/1992	Shiotani et al.	83/435.1
5,181,446	1/1993	Theising	80/438

Primary Examiner—Antoine Duval Davis

Attorney, Agent, or Firm—Polster, Lieder, Woodruff & Lucchesi

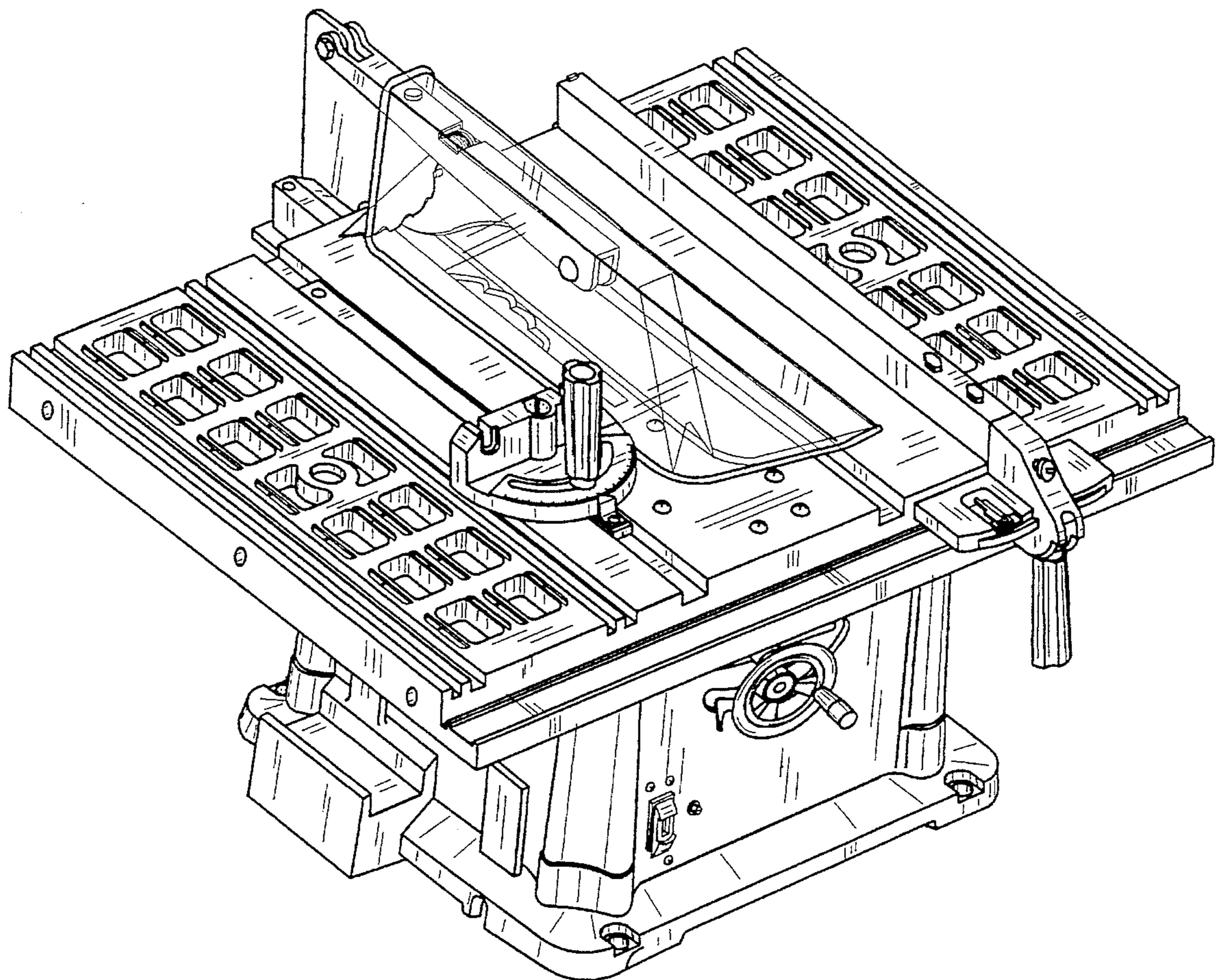
[57] CLAIM

The ornamental design for motorized table saw, as shown and described.

DESCRIPTION

FIG. 1 is a front perspective of our new motorized table saw as viewed from along the left side thereof; FIG. 2 is a front elevational view thereof; FIG. 3 is a rear elevational view thereof; FIG. 4 is a left side elevational view thereof; FIG. 5 is a right side elevational view thereof; FIG. 6 is a top plan view thereof; and, FIG. 7 is a bottom plan view thereof.

1 Claim, 5 Drawing Sheets



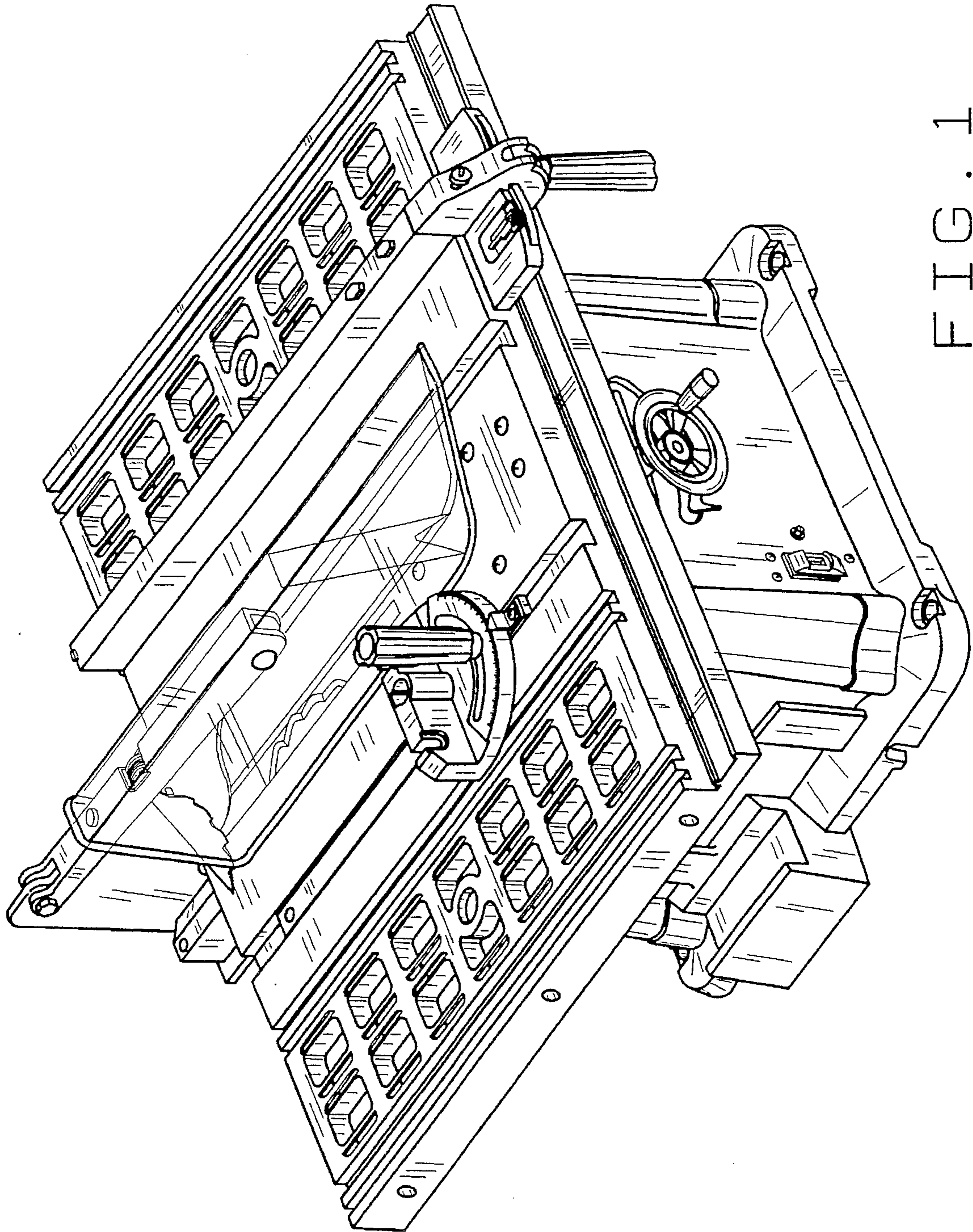


FIG. 1

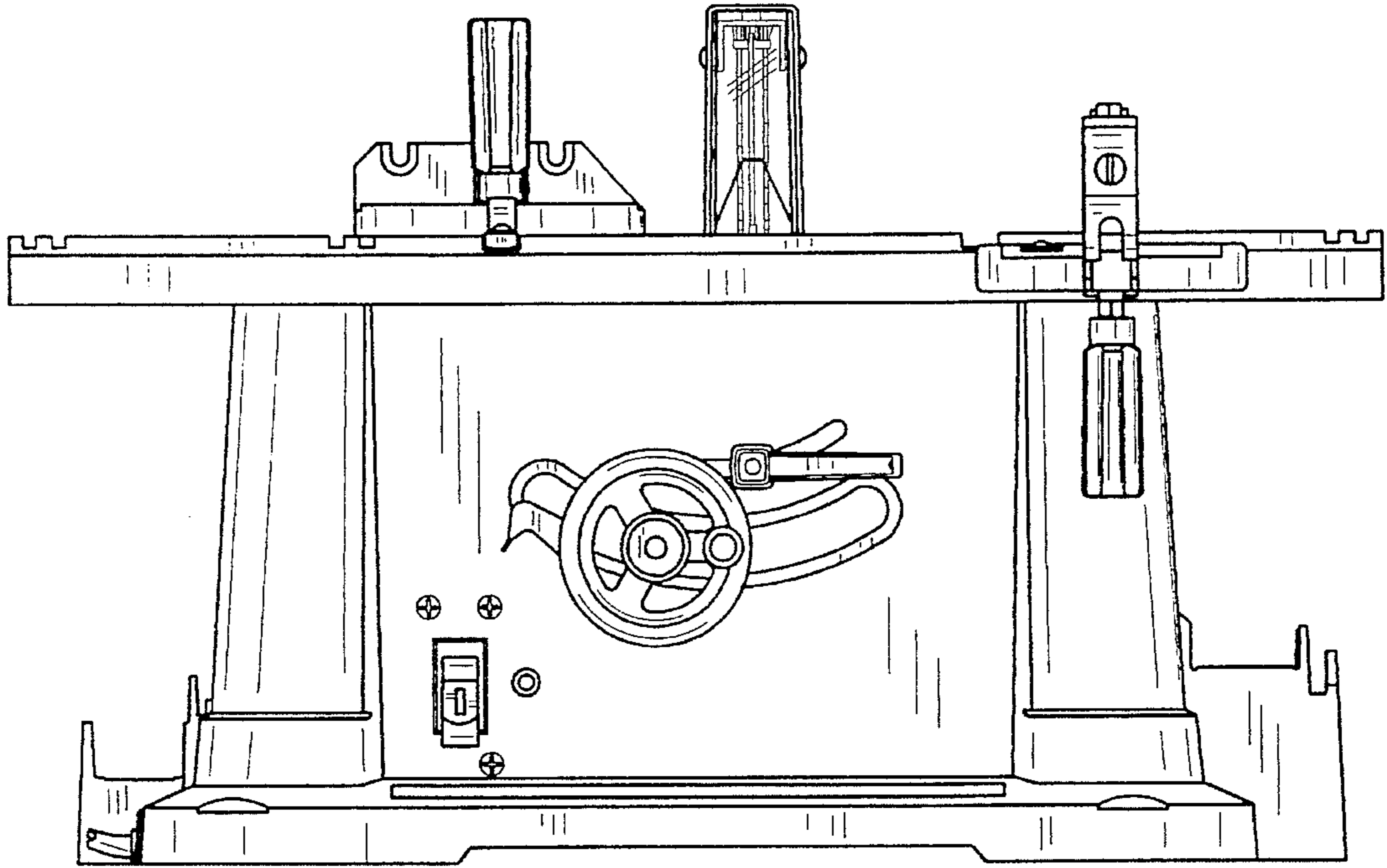


FIG. 2

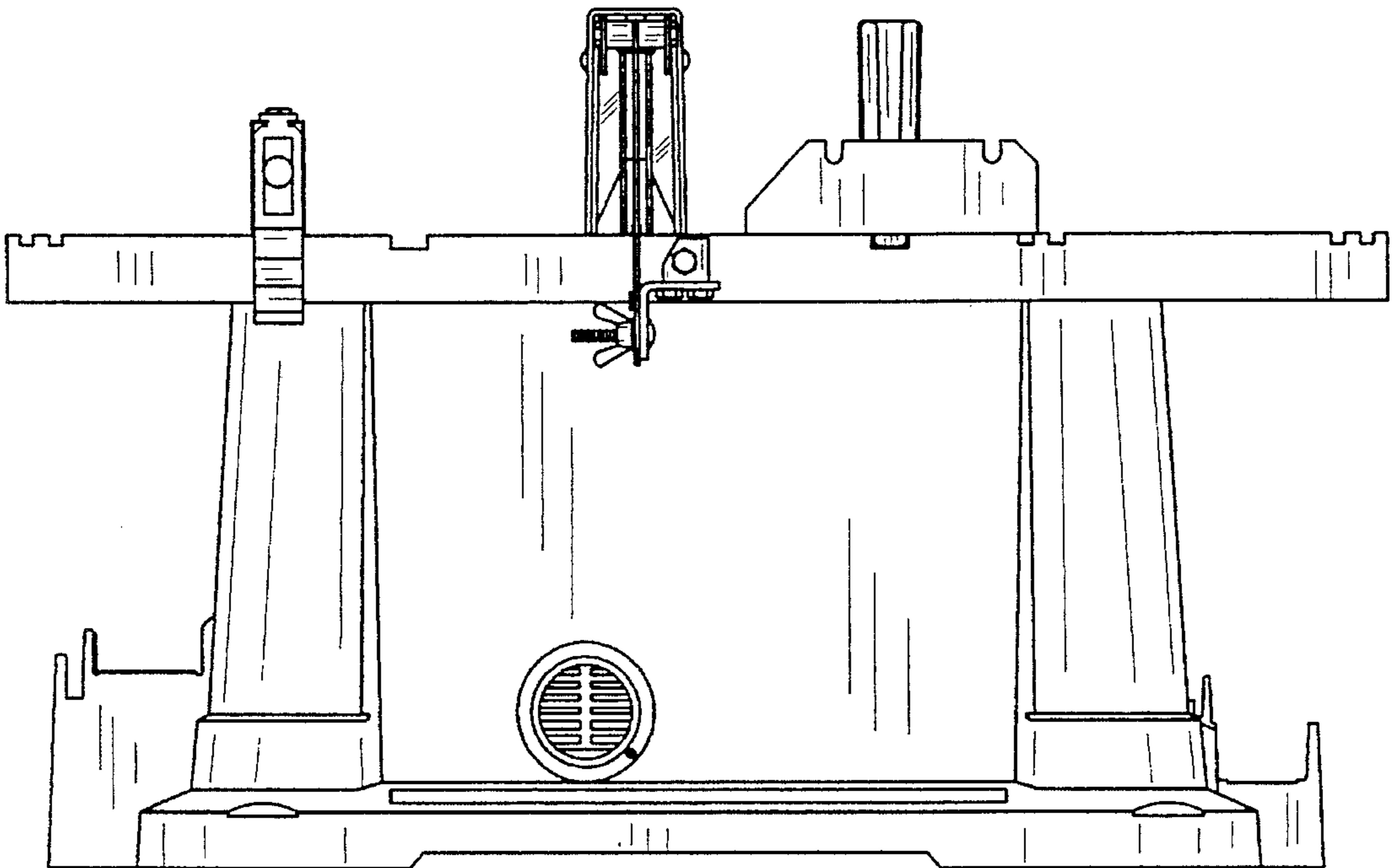


FIG. 3

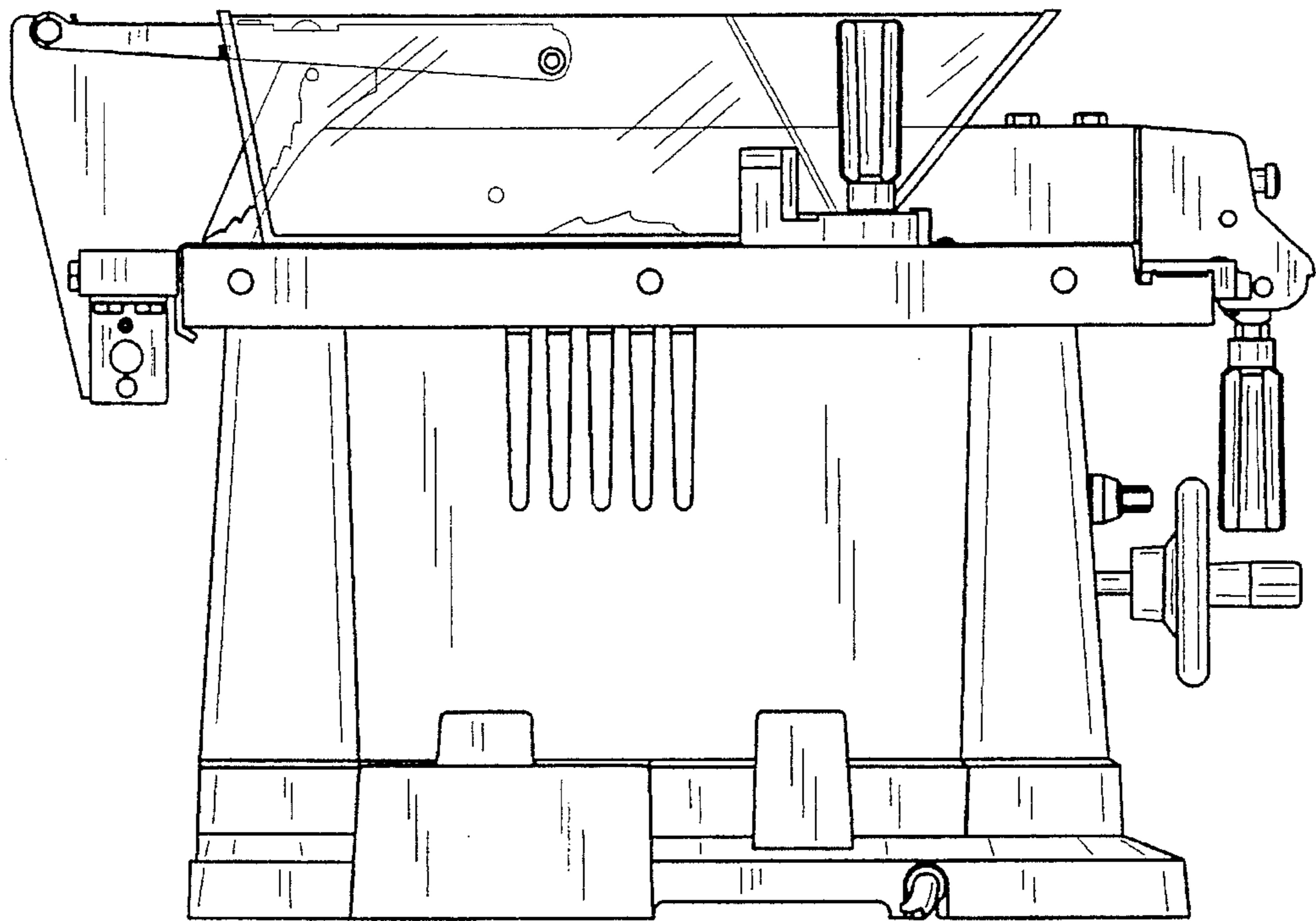


FIG. 4

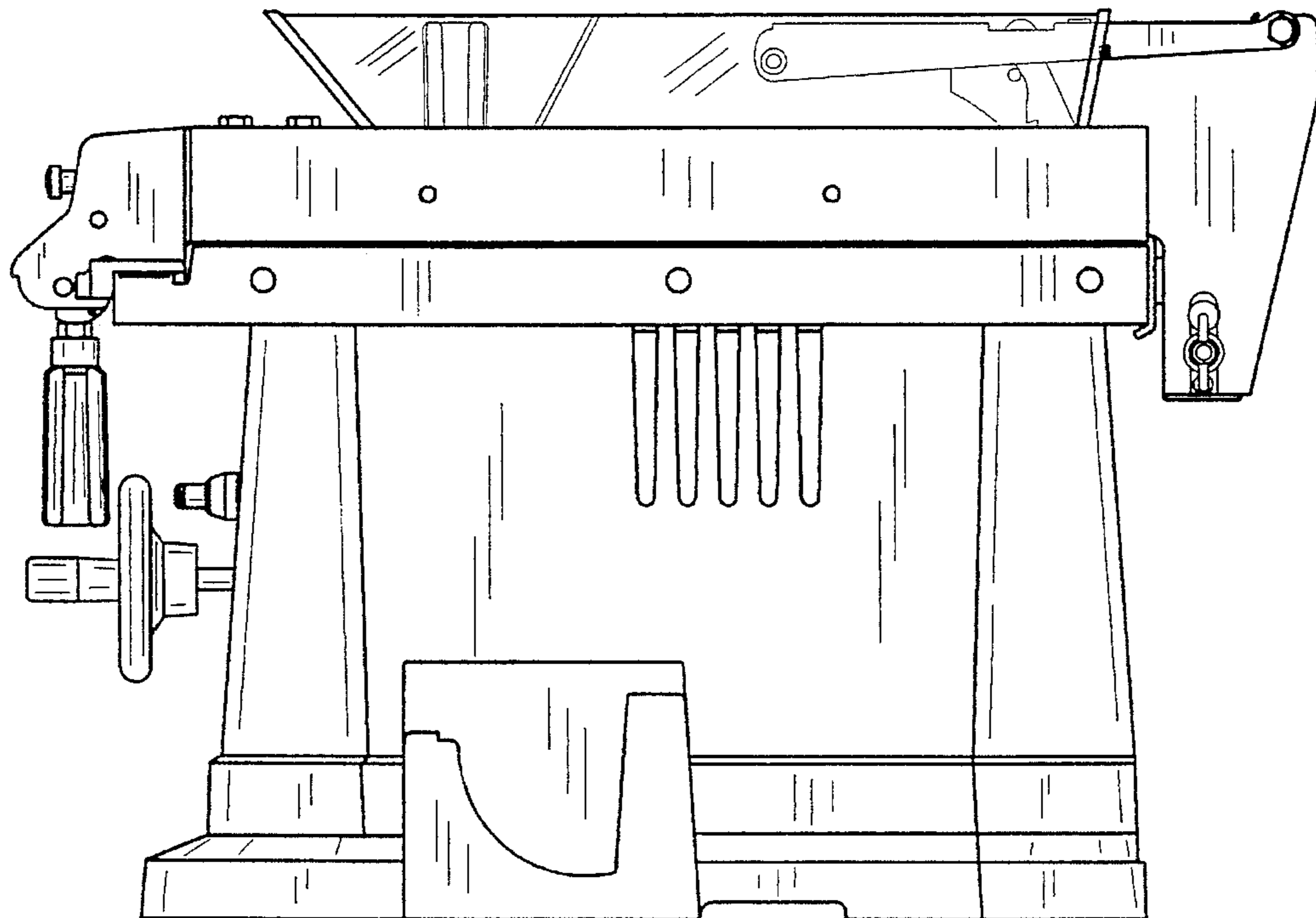


FIG. 5

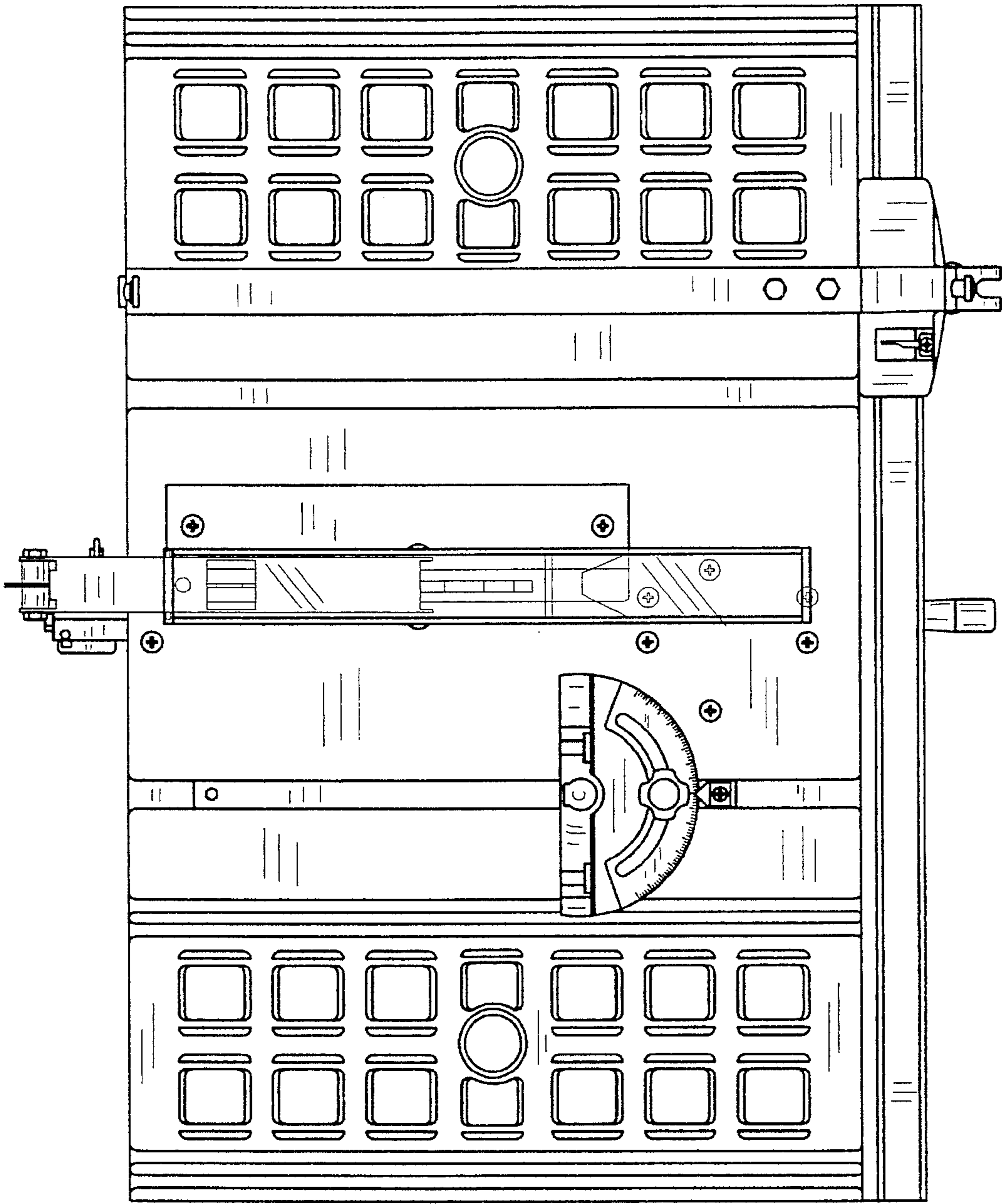


FIG. 6

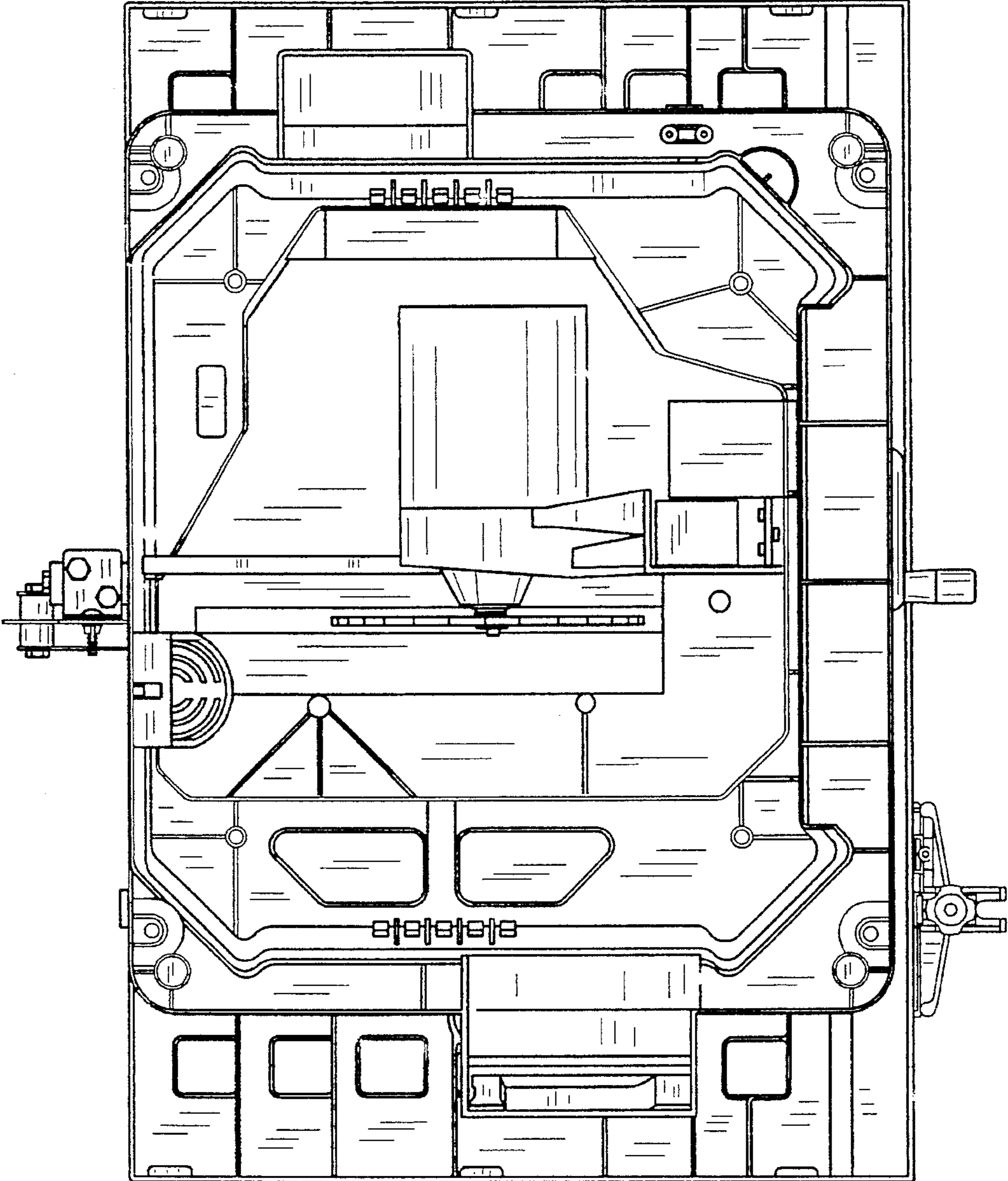


FIG. 7