



US00D377653S

United States Patent [19]

Matisz et al.

[11] Patent Number: **Des. 377,653**

[45] Date of Patent: ****Jan. 28, 1997**

[54] SNOW PLOW

[76] Inventors: **George T. Matisz; Ernest Matisz**, both of 4921 Baptist Rd., Pittsburgh, Pa. 15227; **Joseph M. Ballay**, 524 S. Murtland St., Pittsburgh, Pa. 15208

[**] Term: **14 Years**

[21] Appl. No.: **45,425**

[22] Filed: **Oct. 19, 1995**

[52] U.S. Cl. **D15/11**

[58] Field of Search D15/10-12; 37/196, 37/266, 272

3,316,665	5/1967	Rinaldo .	
3,349,507	10/1967	Payne .	
3,524,269	8/1970	Jackoboice .	
4,255,884	3/1981	Williams	37/272
4,731,942	3/1988	Eberle	37/260
4,833,799	5/1989	Harte et al. .	
4,944,104	7/1990	Kowalczyk .	
5,251,390	10/1993	Wong	37/270

Primary Examiner—Sandra L. Morris

Attorney, Agent, or Firm—David V. Radack; Eckert Seaman Cherin & Mellott

[57] CLAIM

The ornamental design for a snow plow, as shown and described.

[56] References Cited

U.S. PATENT DOCUMENTS

D. 201,451	6/1965	Graham	D15/12
1,964,617	6/1934	Bird	37/271
2,103,900	12/1937	Gay .	
2,188,805	1/1940	Borgeson .	
2,191,323	2/1940	Richter .	
2,350,437	6/1944	Wiedman .	
2,430,221	11/1947	Frink et al. .	
2,431,410	11/1947	Maxim .	
2,468,950	5/1949	Wiedman .	
2,575,091	11/1951	Borgeson .	

DESCRIPTION

FIG. 1 is a front perspective view of a snow plow showing our new design;

FIG. 2 is a back perspective view thereof;

FIG. 3 is a front elevational view thereof;

FIG. 4 is a back elevational view thereof;

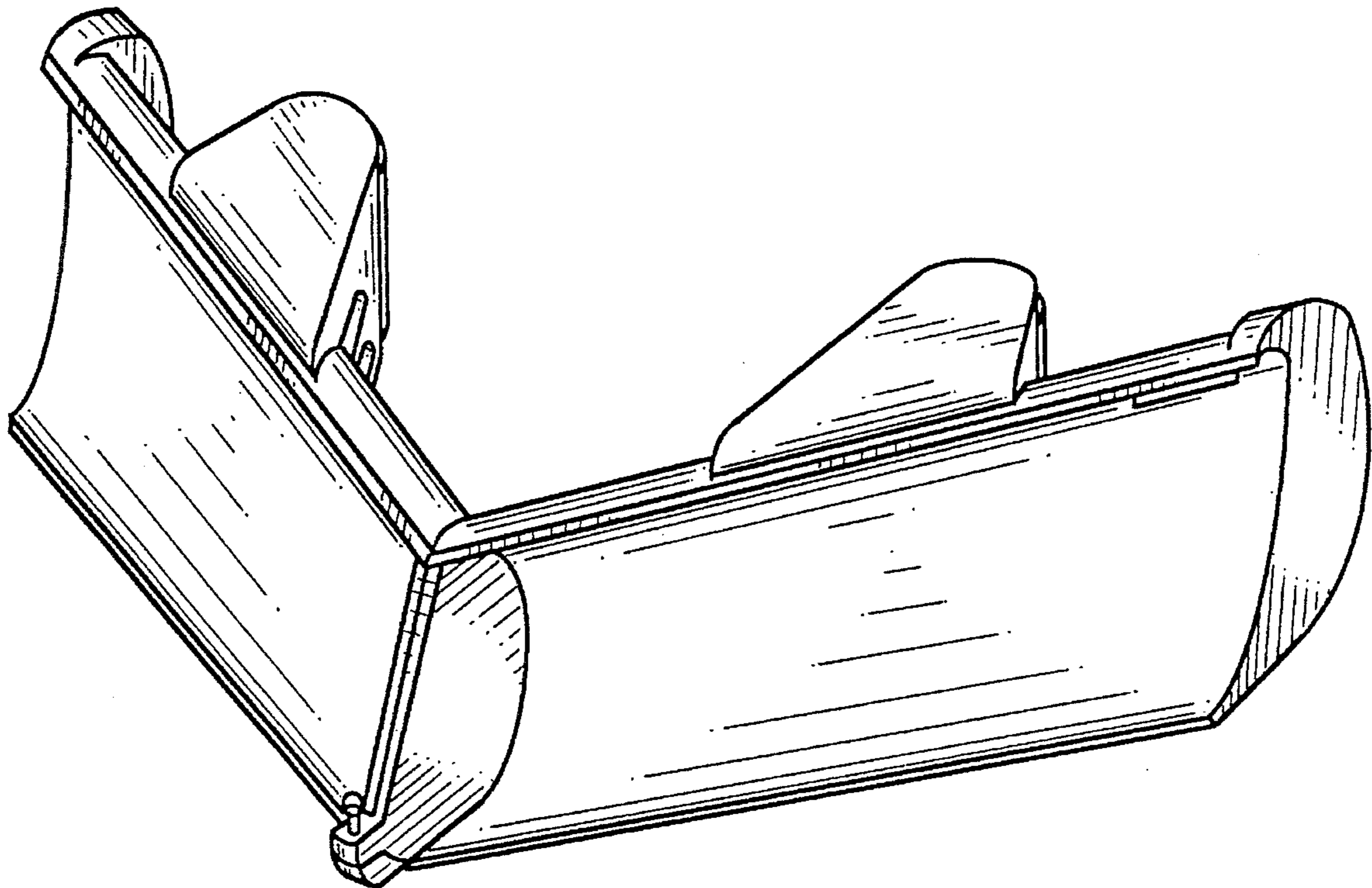
FIG. 5 is a top plan view thereof;

FIG. 6 is a bottom plan view thereof;

FIG. 7 is a left side elevational view thereof; and,

FIG. 8 is a right side elevational view thereof.

1 Claim, 5 Drawing Sheets



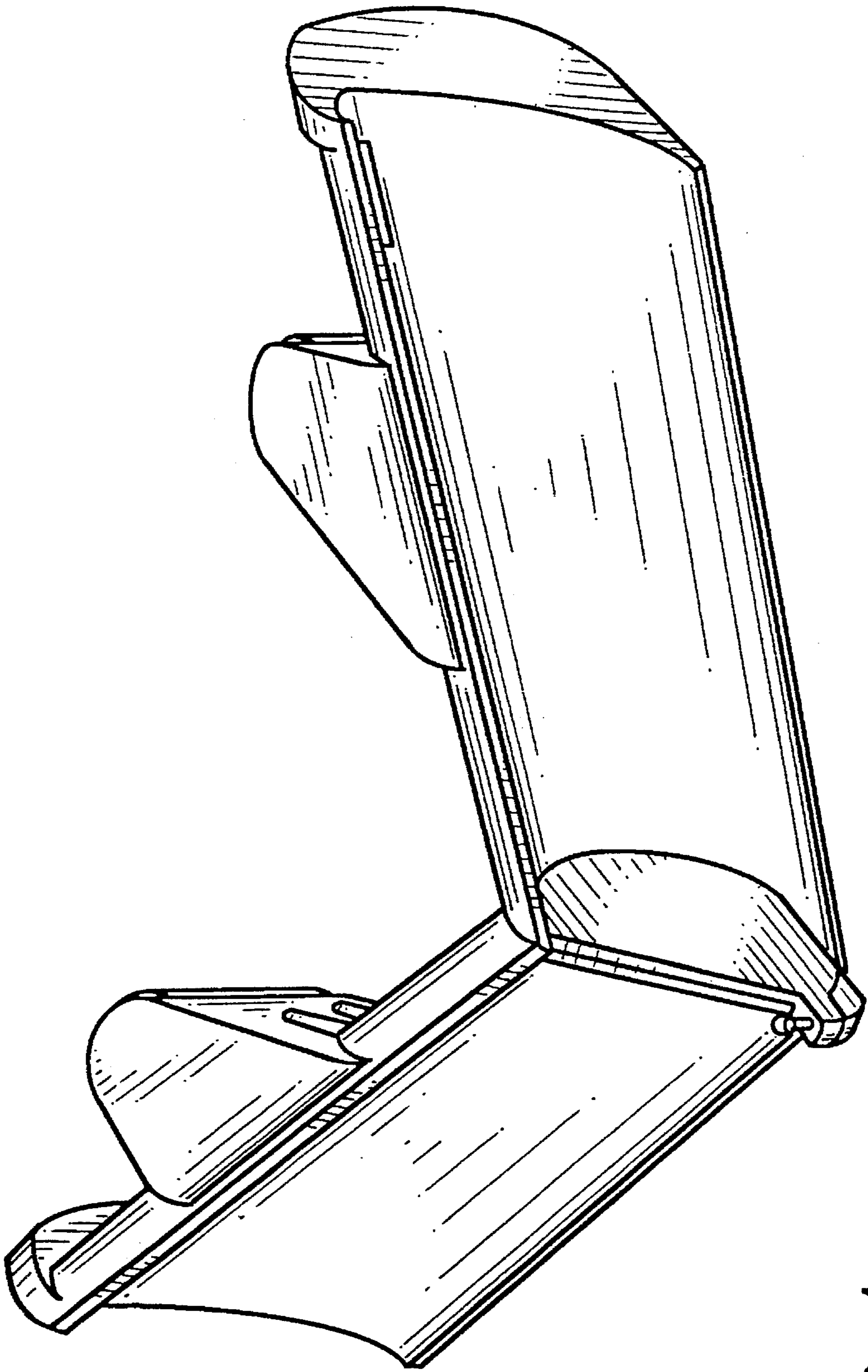


FIG. 1

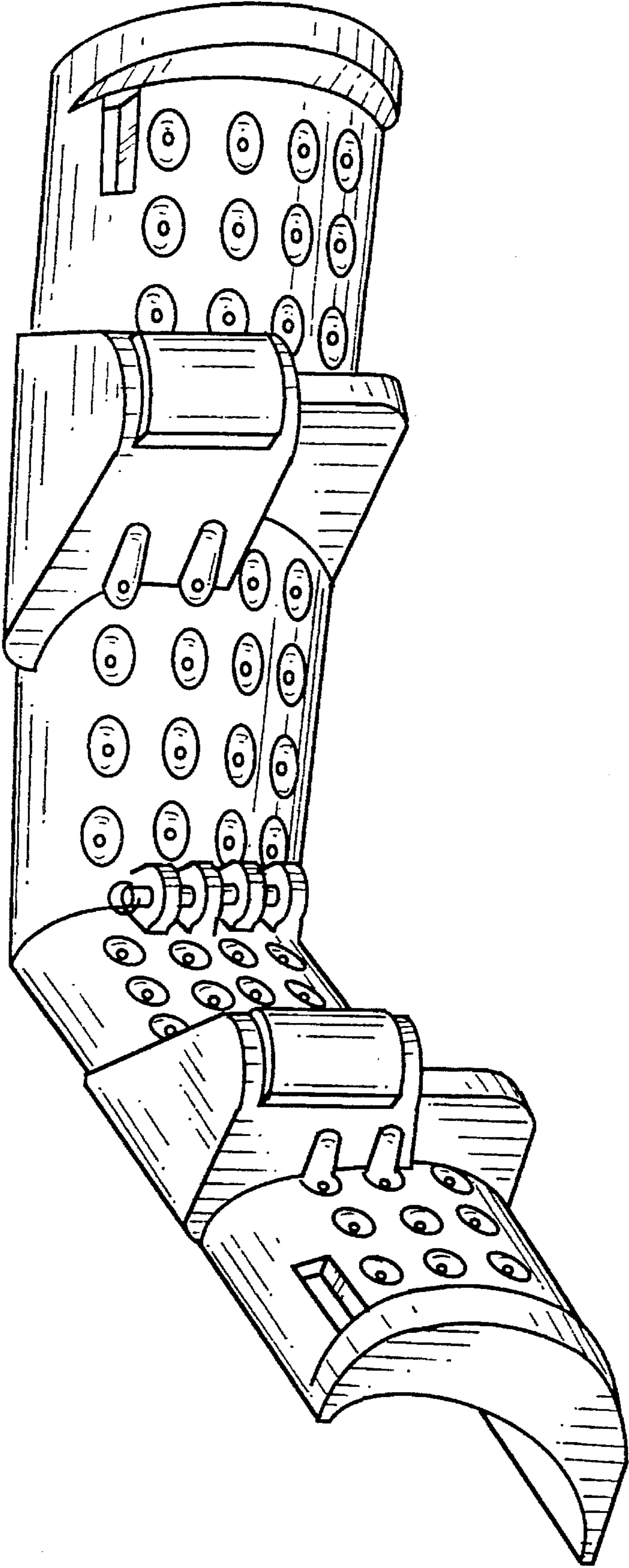


FIG. 2

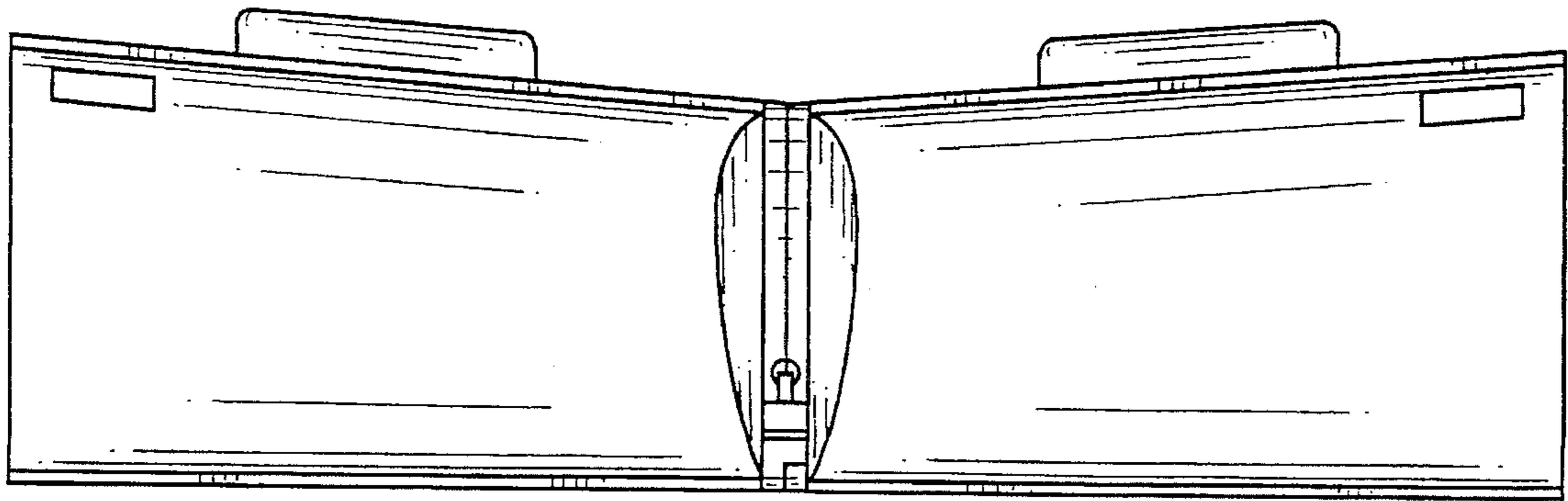


FIG. 3

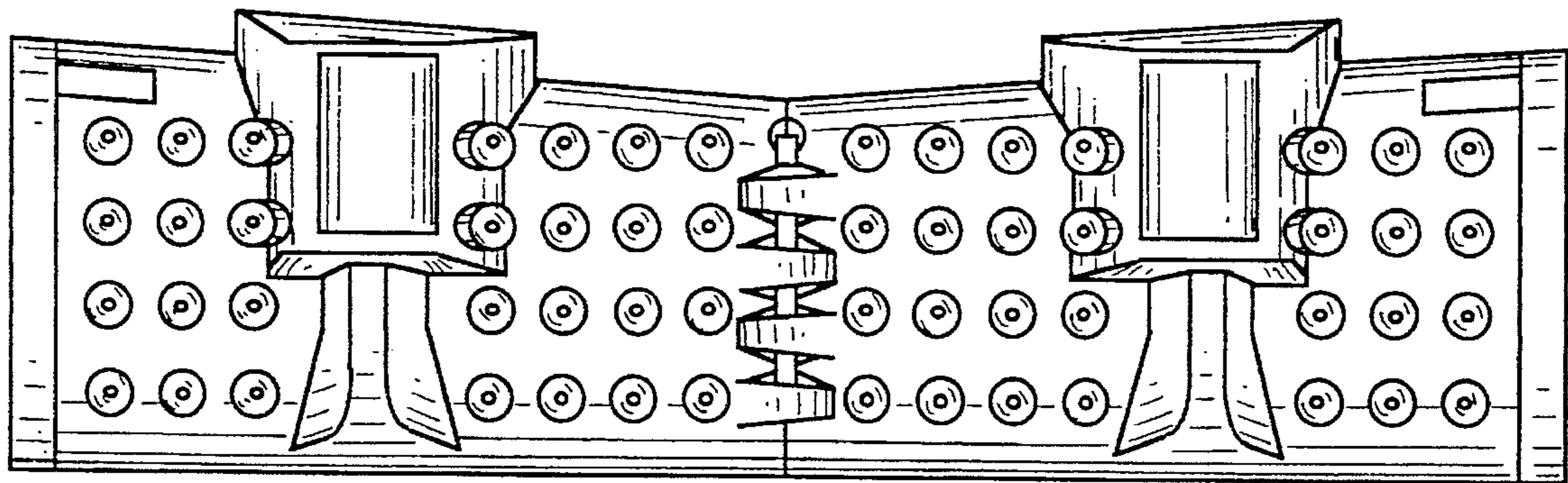


FIG. 4

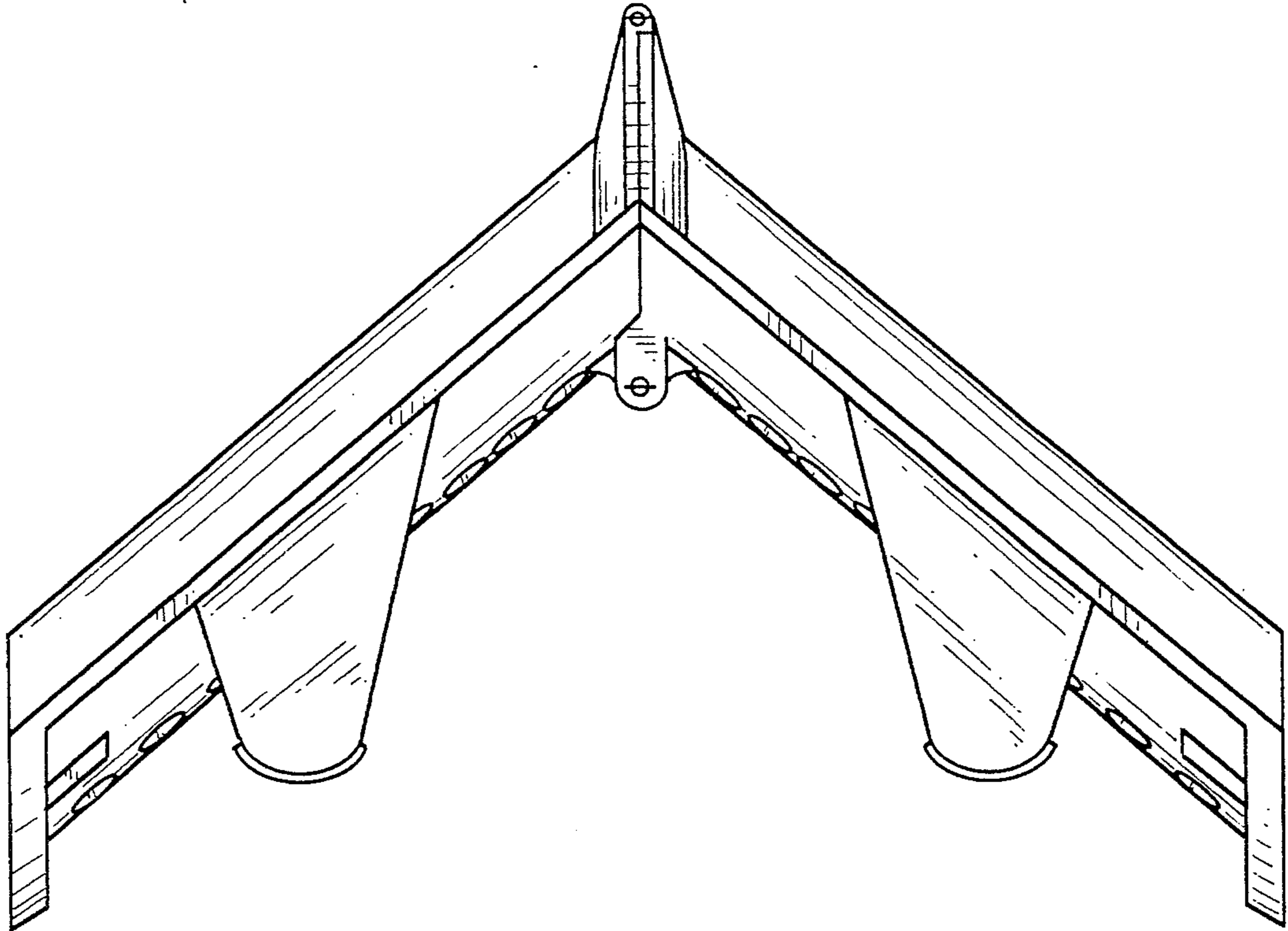


FIG. 5

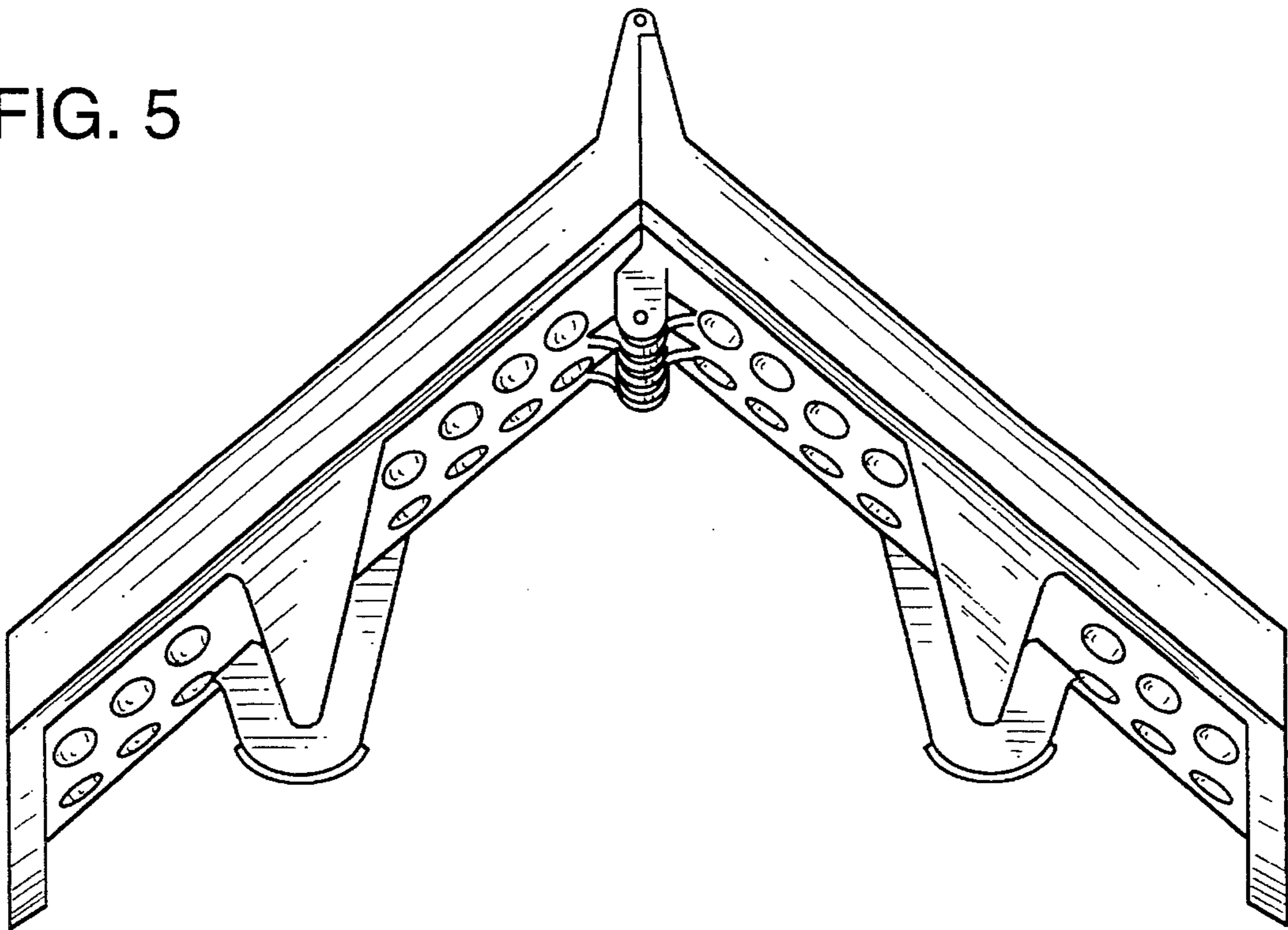


FIG. 6

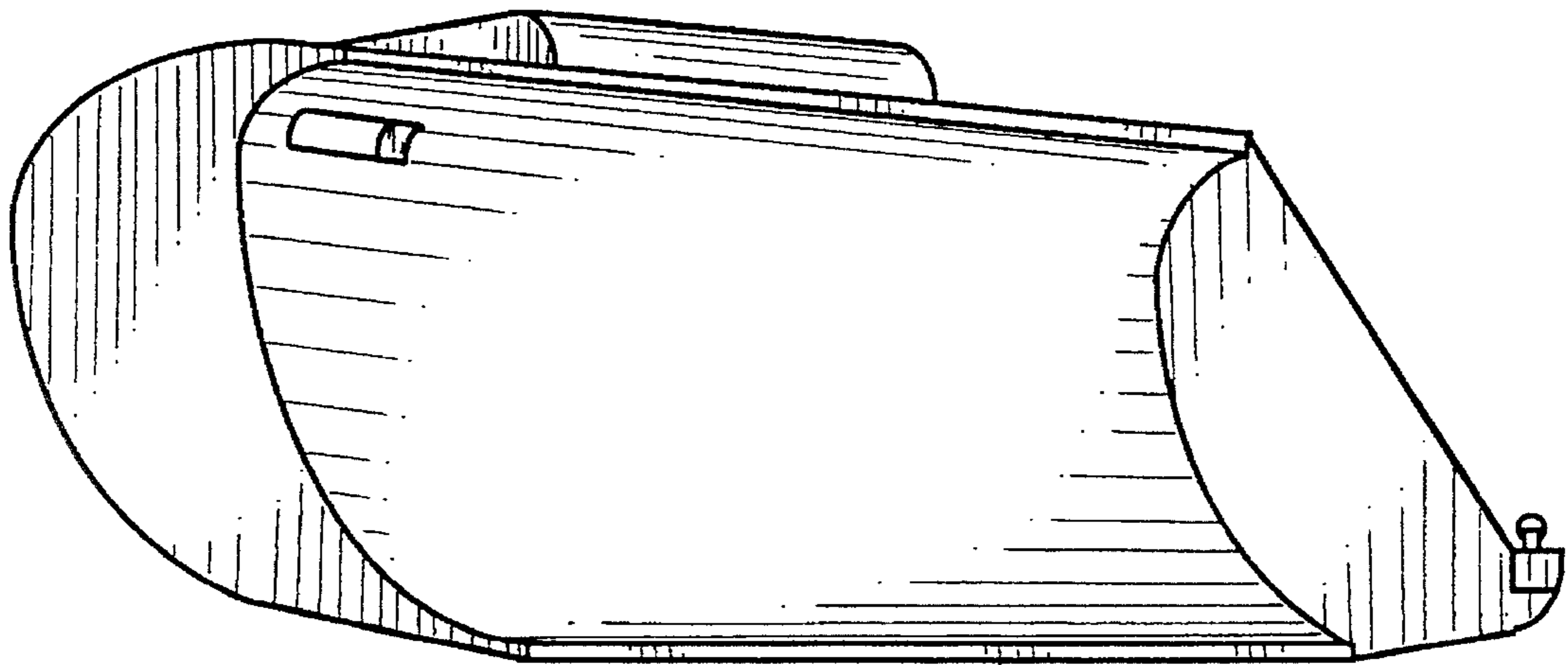


FIG. 7

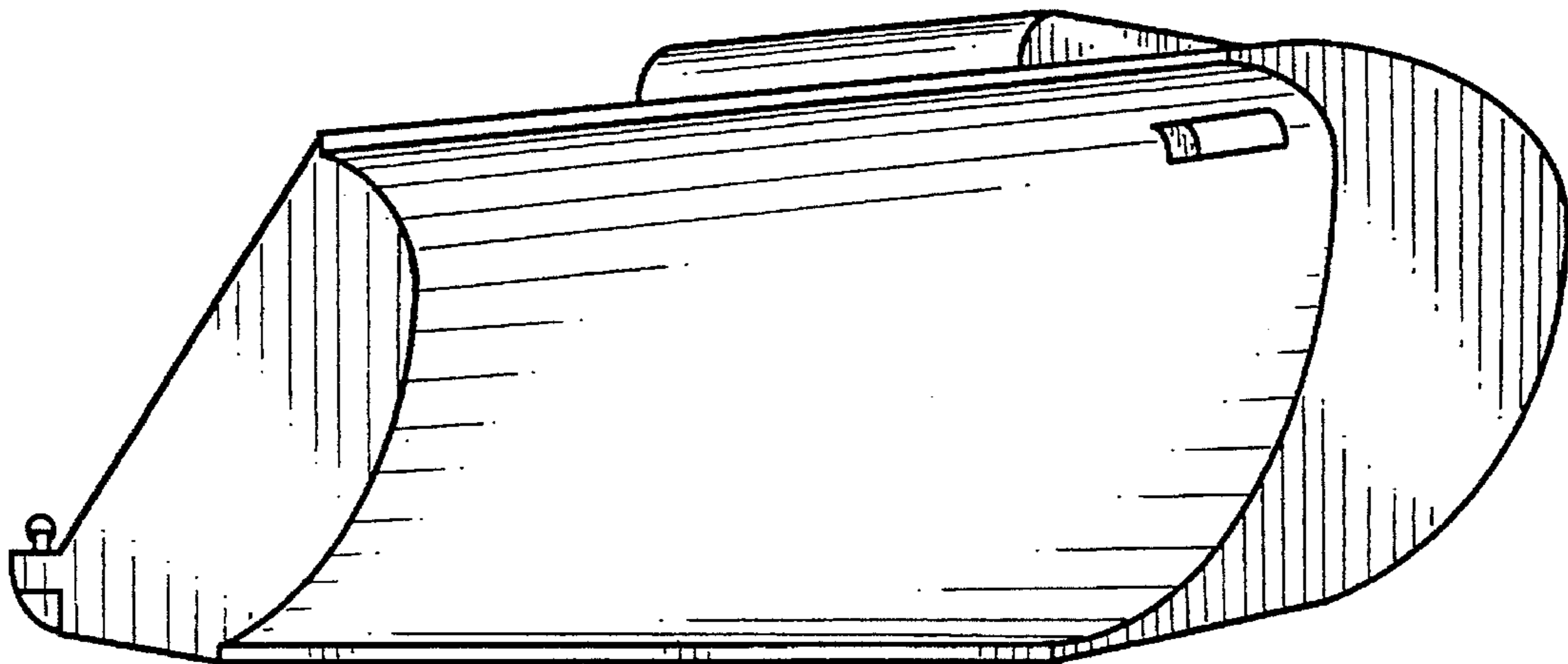


FIG. 8