



US00D377652S

United States Patent [19]

[11] Patent Number: **Des. 377,652**

Särkiniemi

[45] Date of Patent: ****Jan. 28, 1997**

[54] **BASE STATION FOR A MOBILE COMMUNICATION NETWORK**

4,749,359 6/1988 White 379/419 X
5,528,684 6/1996 Schnieder et al. 379/399

[75] Inventor: **Mauno Särkiniemi**, Oulu, Finland

Primary Examiner—Jeffrey Asch

[73] Assignee: **Nokia Telecommunications Oy**, Espoo, Finland

Attorney, Agent, or Firm—Cushman Darby & Cushman IP Group of Pillsbury Madison & Sutro LLP

[**] Term: **14 Years**

[57] CLAIM

[21] Appl. No.: **51,135**

The ornamental design for a base station for a mobile communication network, as shown and described.

[22] Filed: **Mar. 4, 1996**

DESCRIPTION

[30] Foreign Application Priority Data

FIG. 1 is a front and side perspective view of a base station for a mobile communication network showing my new design;

Sep. 7, 1995 [FI] Finland 595/95

[52] U.S. Cl. **D14/240; D13/184**

FIG. 2 is a rear and side perspective view thereof;

[58] Field of Search D14/140, 240, D14/142, 107, 100; 379/399, 412, 428, 440, 419, 420, 441, 442; D13/123, 110, 162, 179, 184; 361/601, 602, 641, 828

FIG. 3 is a front view thereof;

FIG. 4 is a rear view thereof;

FIG. 5 is a right side view thereof;

FIG. 6 is a left side view thereof;

FIG. 7 is a top view thereof;

FIG. 8 is a bottom view thereof;

[56] References Cited

U.S. PATENT DOCUMENTS

- D. 284,854 7/1986 Valliant D14/140 X
- D. 307,908 5/1990 Pushelberg D14/240
- D. 343,382 1/1994 Hagura et al. D13/110
- D. 346,386 4/1994 Brownlie et al. D14/240
- D. 353,372 12/1994 Delhaes D14/149
- D. 360,879 8/1995 Growwall D13/162
- D. 361,073 8/1995 Walters et al. D14/240
- D. 364,618 11/1995 Somoza D14/142
- D. 367,859 3/1996 Beaumont et al. D13/184 X

FIG. 9 is a front perspective view of the base station from FIG. 1 without front cover and lower hatch open;

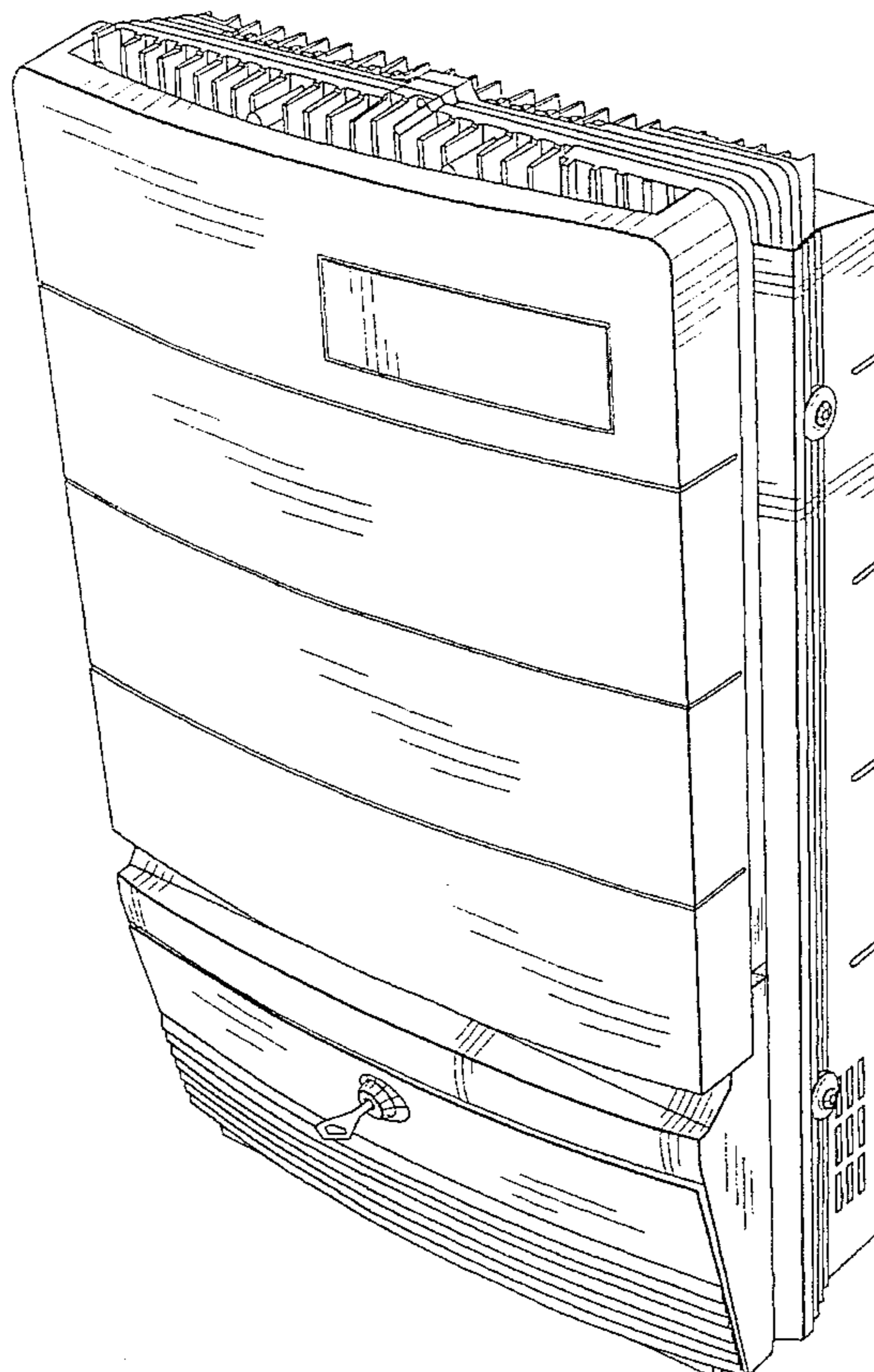
FIG. 10 is a rear perspective view thereof;

FIG. 11 is a front view of the front cover of the base station from FIG. 1; and,

FIG. 12 is a rear view thereof.

The base station and front cover therefor have been shown separately in FIGS. 9–12 for convenience of illustration.

1 Claim, 11 Drawing Sheets



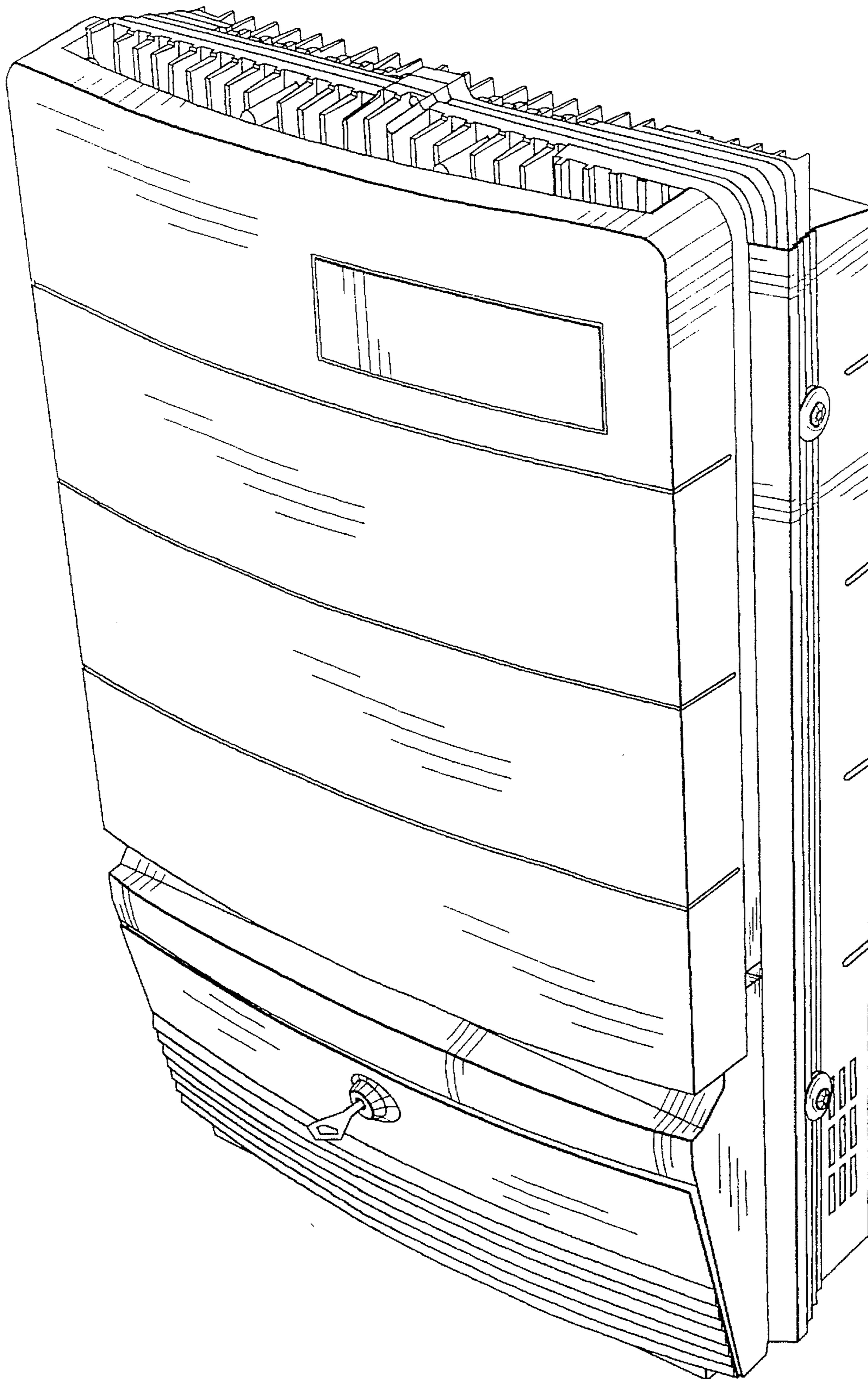


FIG. 1

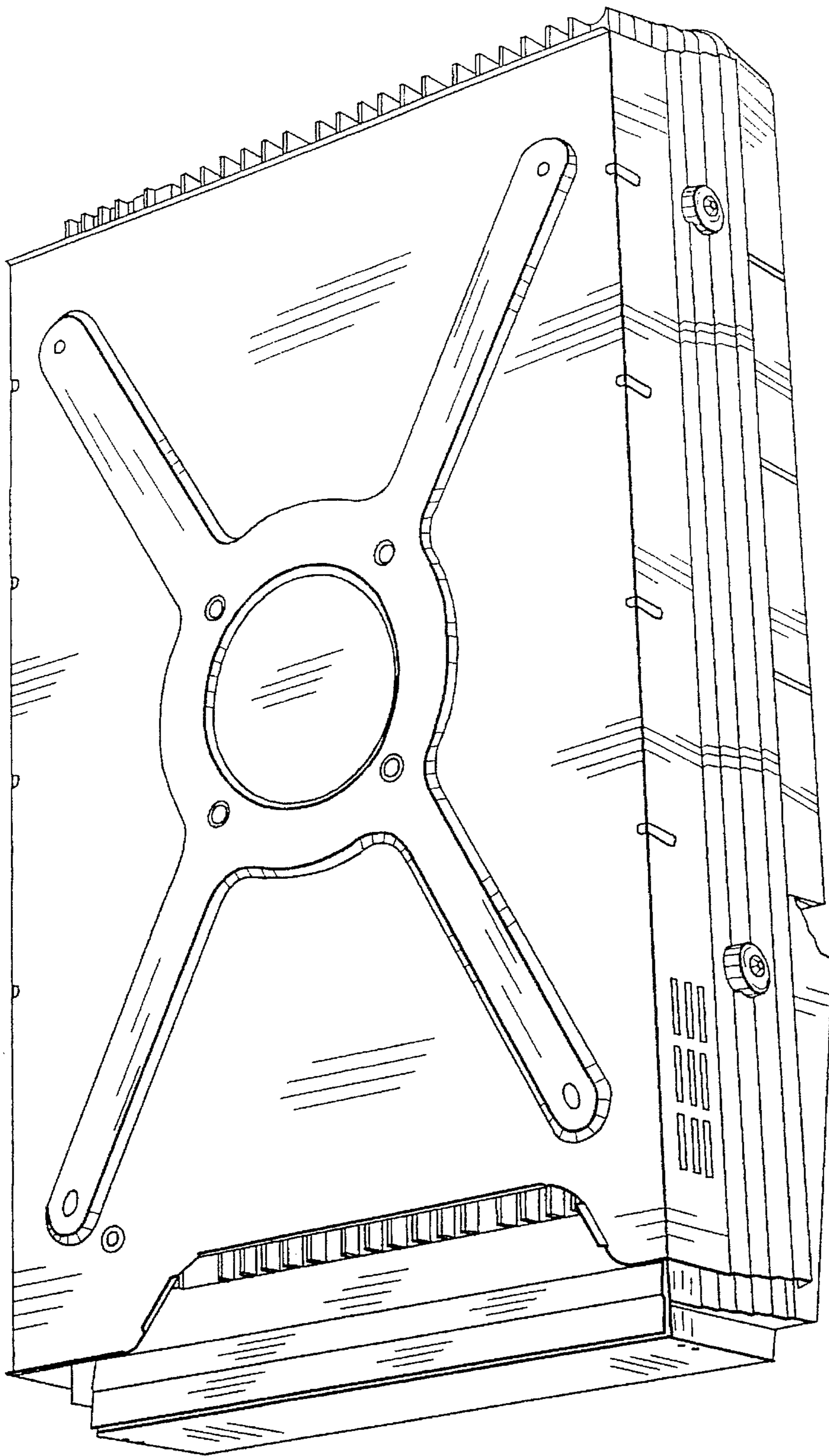


FIG. 2

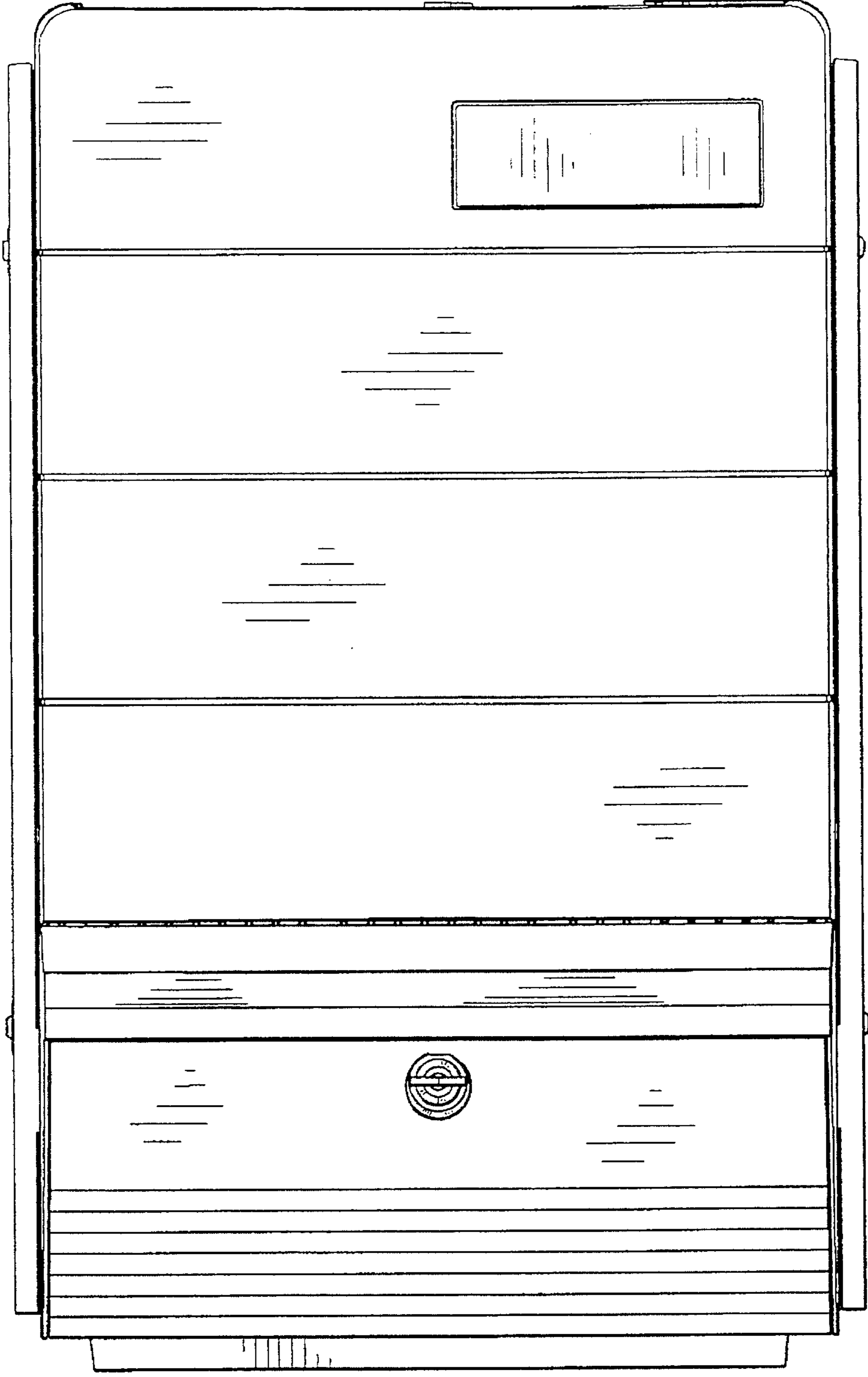


FIG. 3

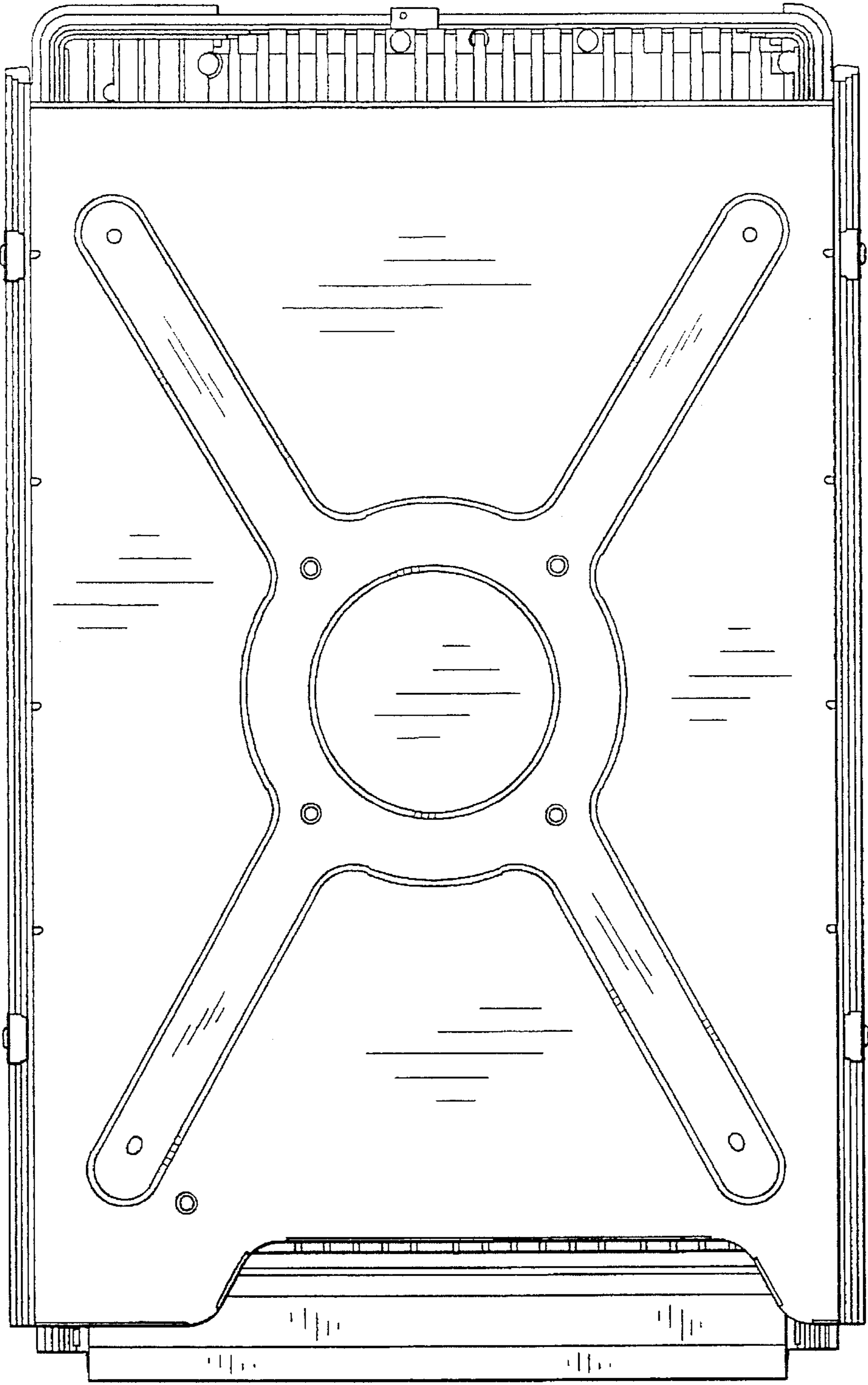


FIG. 4

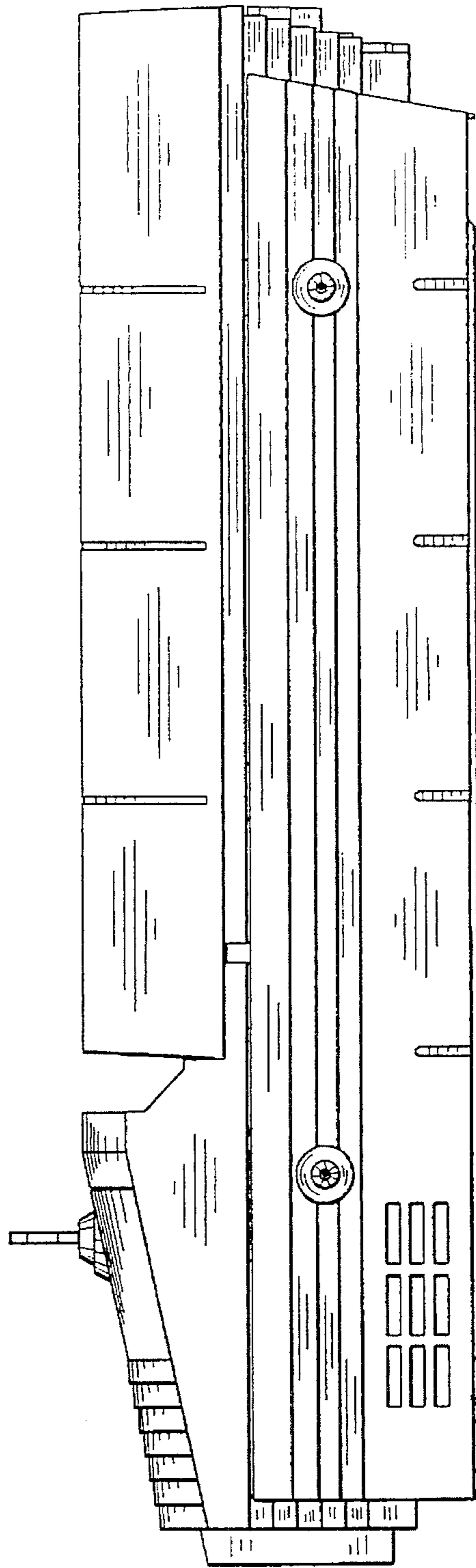


FIG. 5

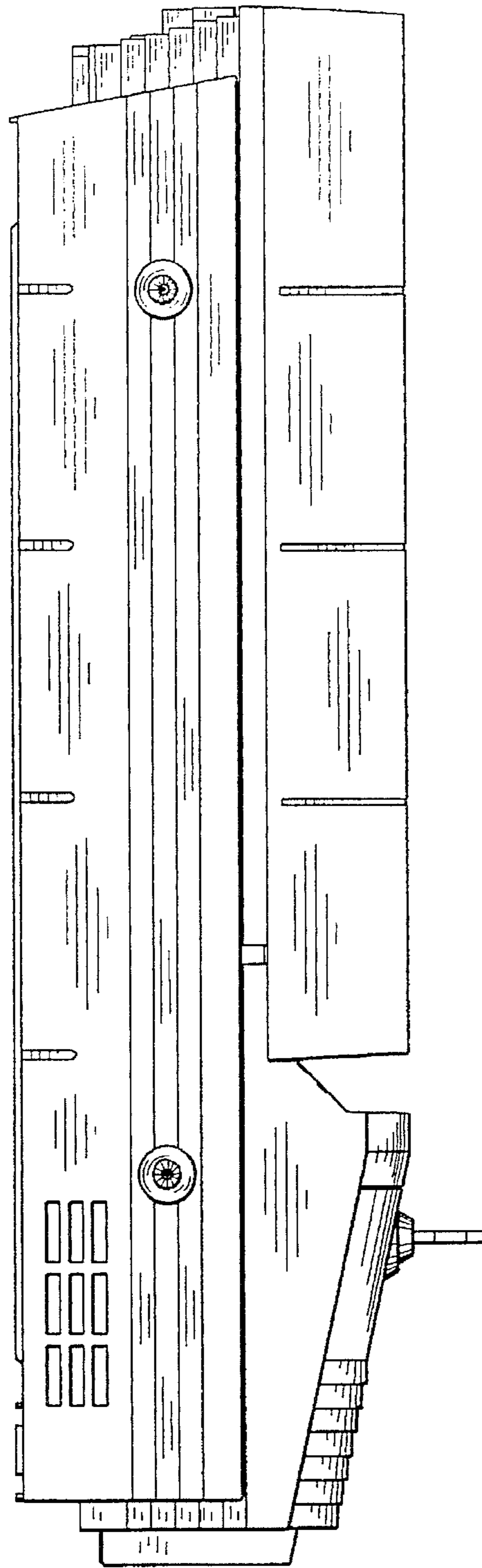


FIG. 6

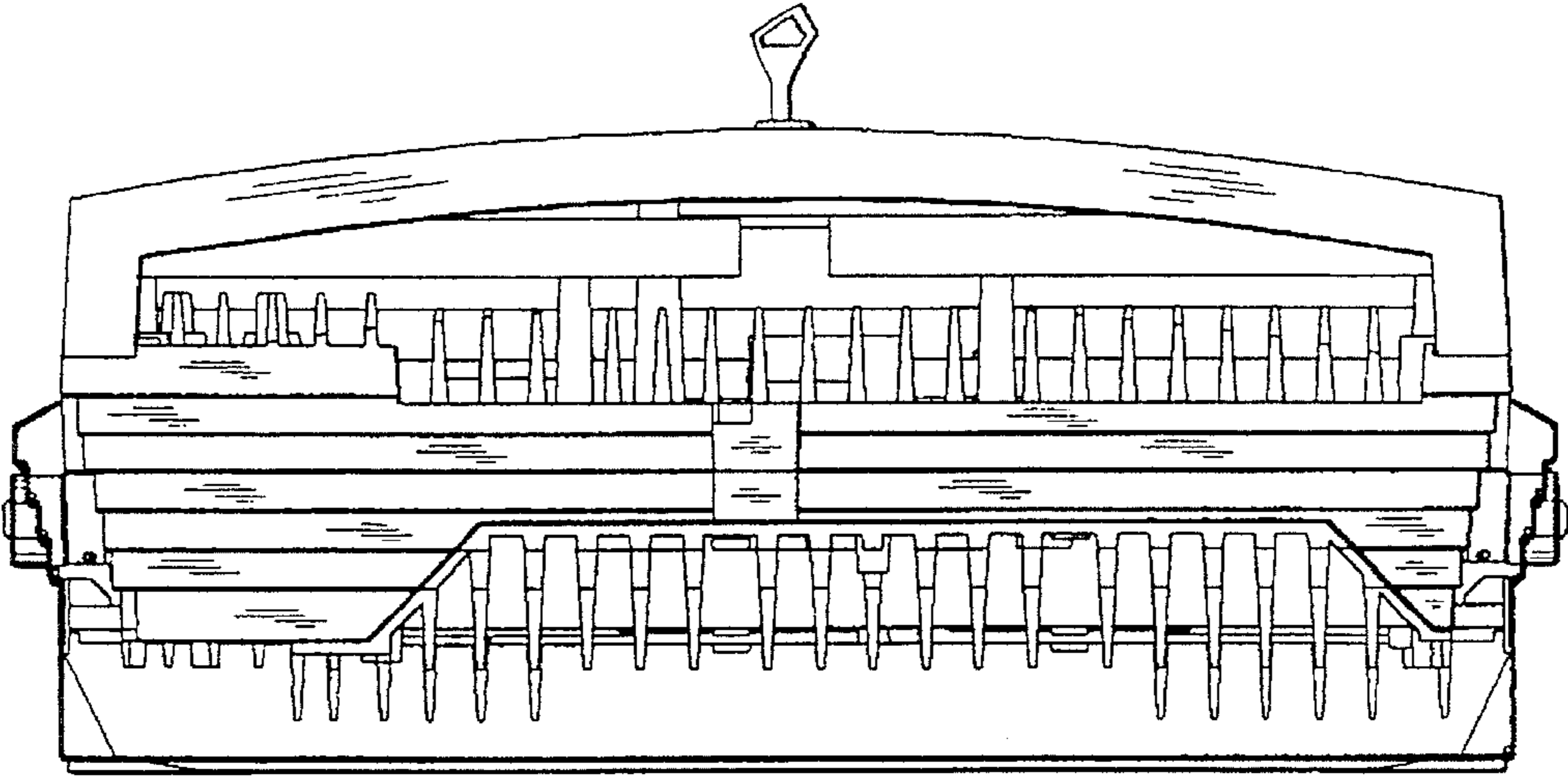


FIG. 7

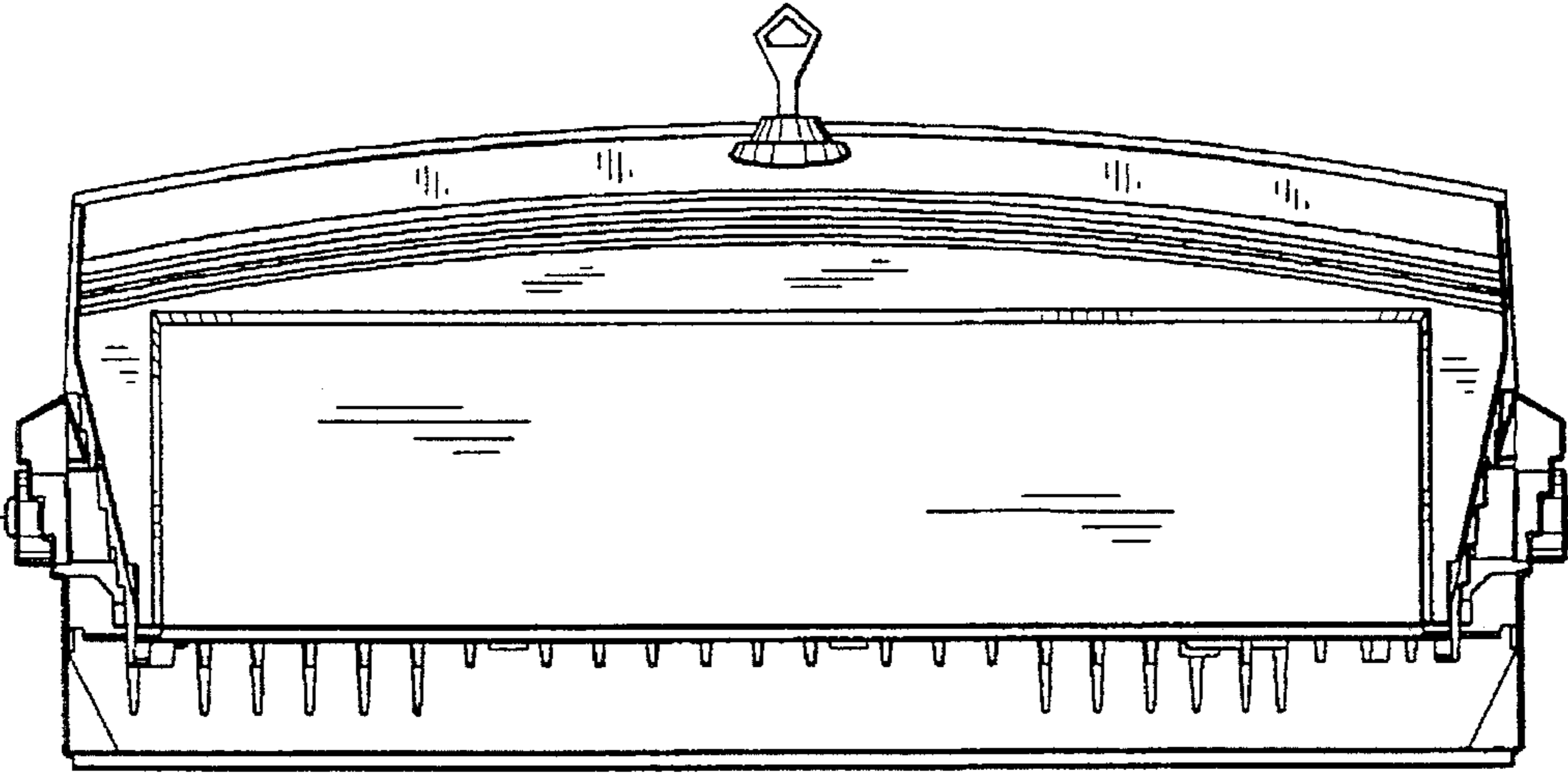


FIG. 8

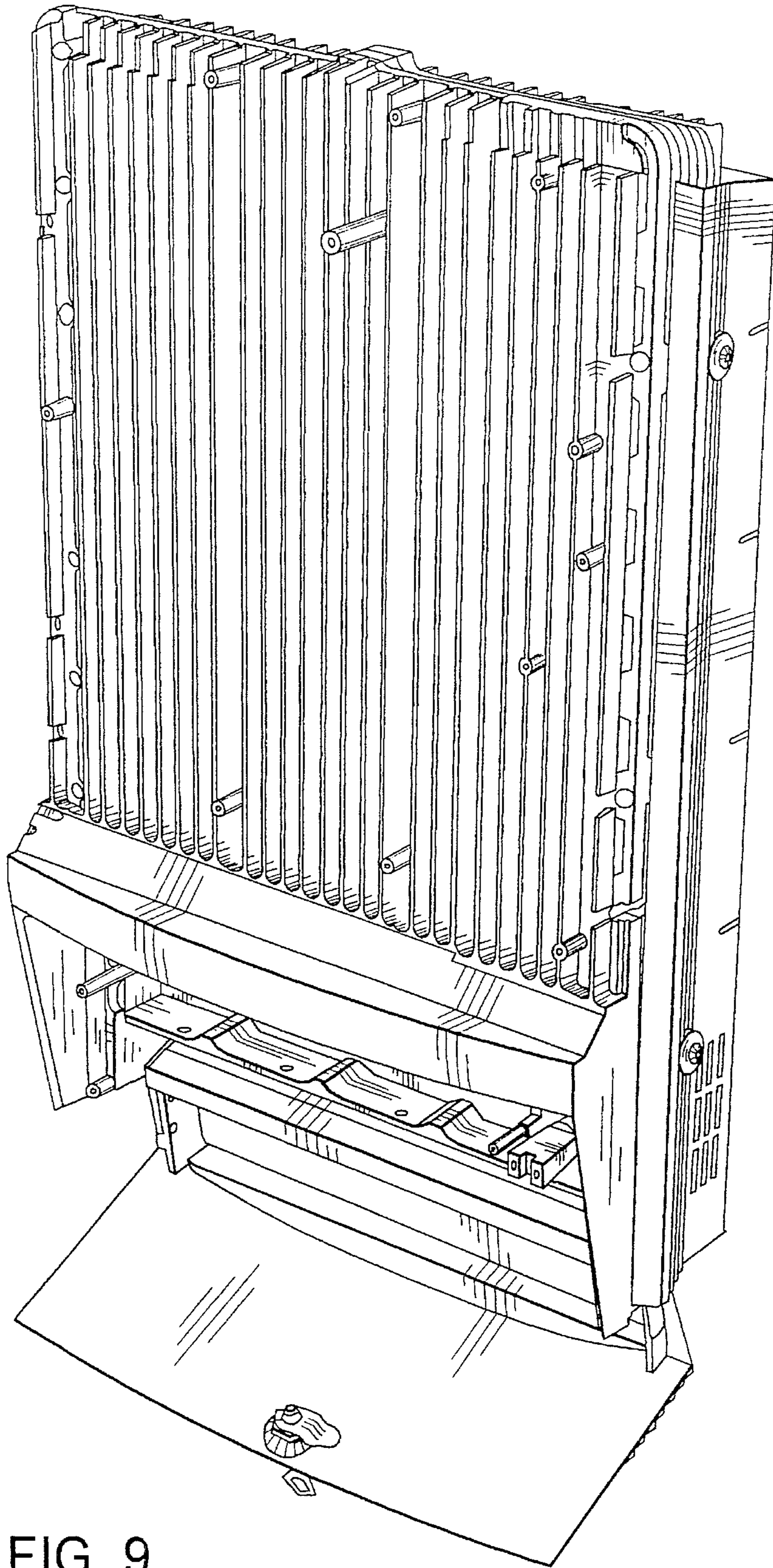


FIG. 9

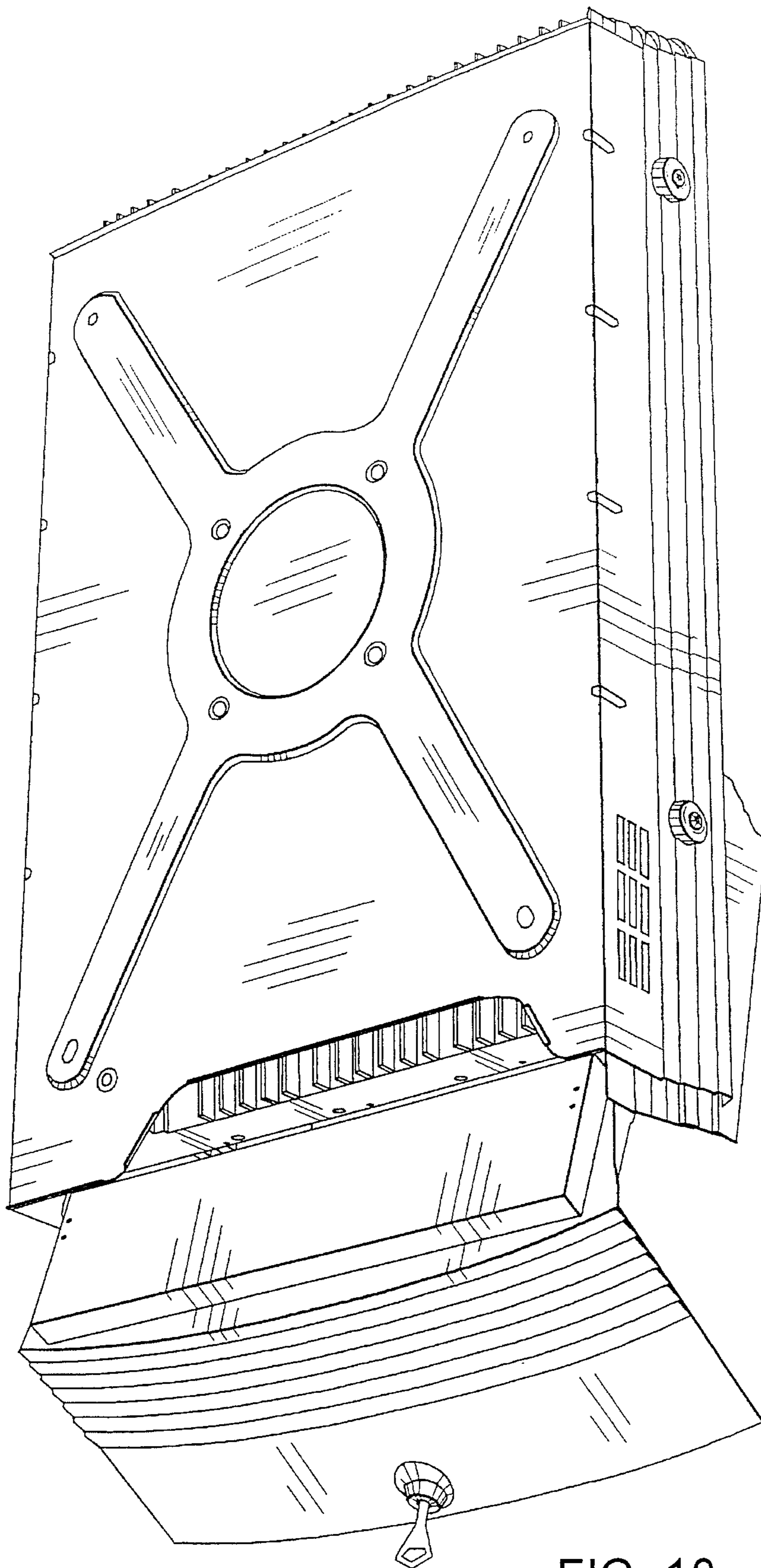


FIG. 10

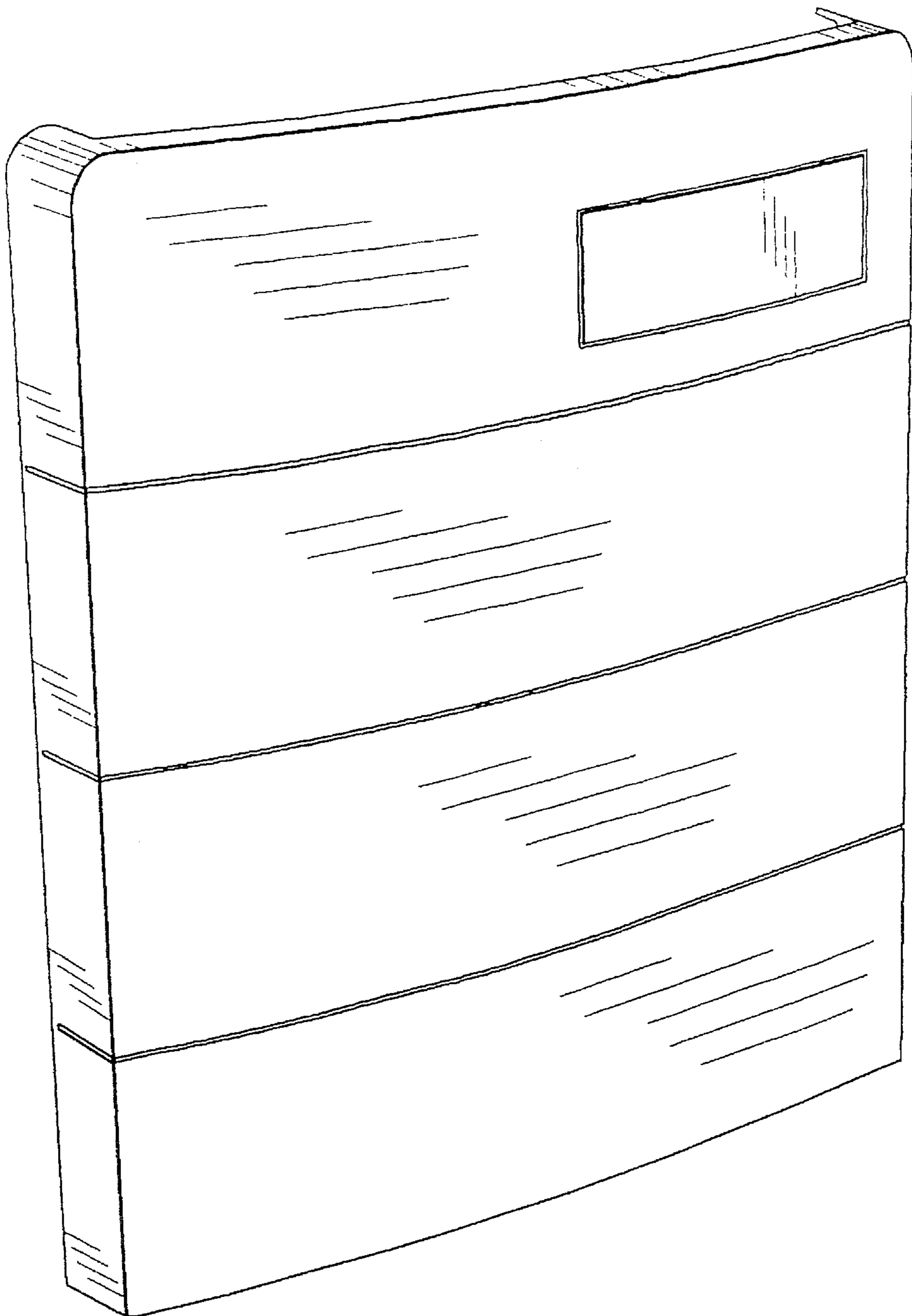


FIG. 11

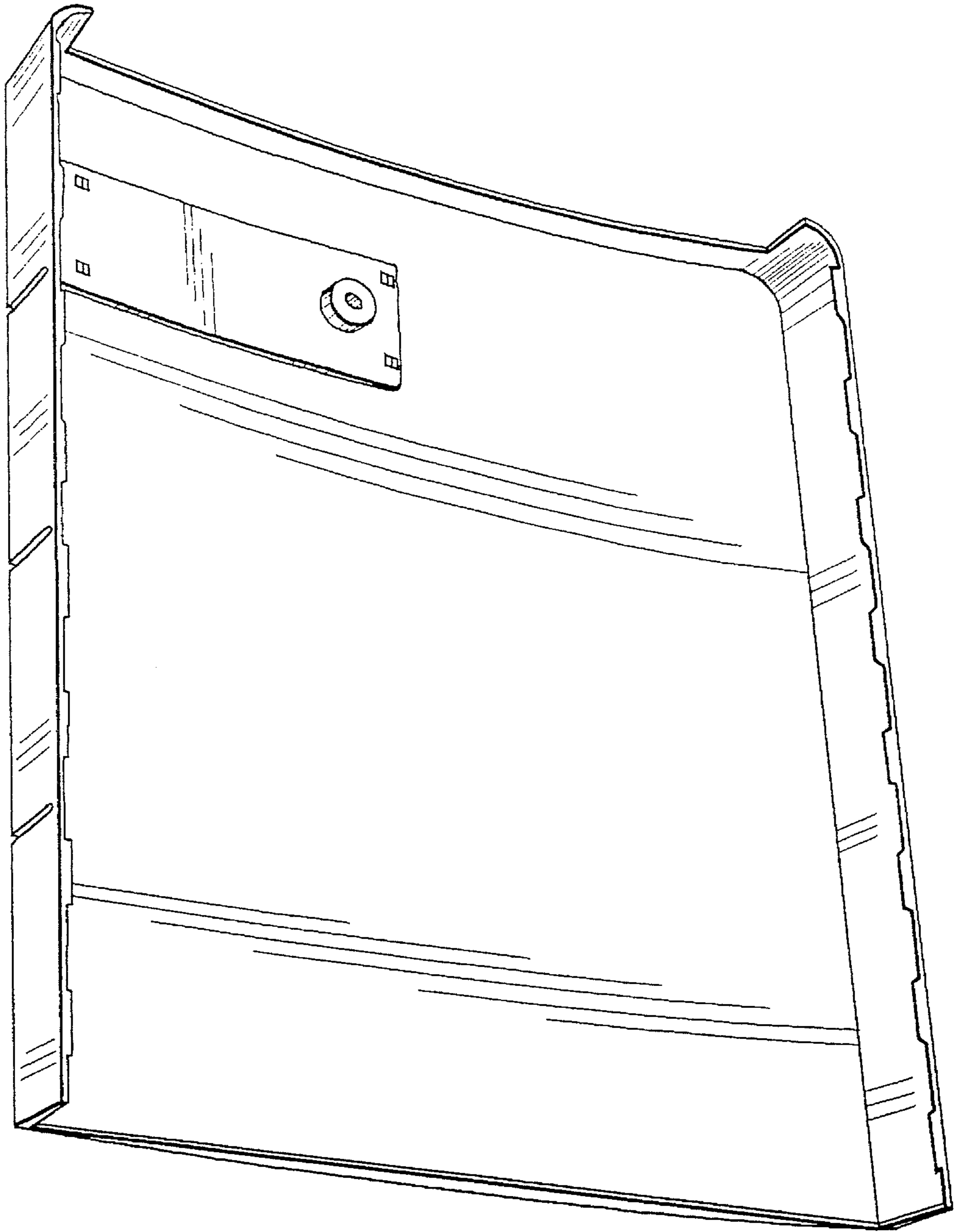


FIG. 12