



US00D377644S

United States Patent [19]

[11] Patent Number: **Des. 377,644**

Nicklos et al.

[45] Date of Patent: ****Jan. 28, 1997**

[54] **COMPUTER DATA STORAGE DEVICE**

[75] Inventors: **Carl F. Nicklos**, Ogden, Utah; **Nicholas Brawne**, Columbus, Ohio

[73] Assignee: **Iomega Corporation**, Roy, Utah

[**] Term: **14 Years**

[21] Appl. No.: **48,747**

[22] Filed: **Aug. 25, 1995**

[52] U.S. Cl. **D14/100**

[58] Field of Search D14/100, 106,
D14/107, 109; D13/162, 184, 199; 361/679-686;
364/708.1, 709.04, 709.12

[56] **References Cited**

U.S. PATENT DOCUMENTS

D. 368,468 4/1996 Kobayashi D14/100

Primary Examiner—Freda Nunn
Attorney, Agent, or Firm—Woodcock, Washburn, Kurtz,
Mackiewicz & Norris

[57] **CLAIM**

The ornamental design for a "computer data storage," as shown and described.

DESCRIPTION

FIG. 1 is a top perspective view of a computer data storage

device depicting our new design;

FIG. 2 is a bottom perspective view of the embodiment shown in FIG. 1;

FIG. 3 is a rear elevational view of the embodiment shown in FIGS. 1-2;

FIG. 4 is a top plan view of the embodiment shown in FIGS. 1-3;

FIG. 5 is a bottom plan view of the embodiment shown in FIGS. 1-4;

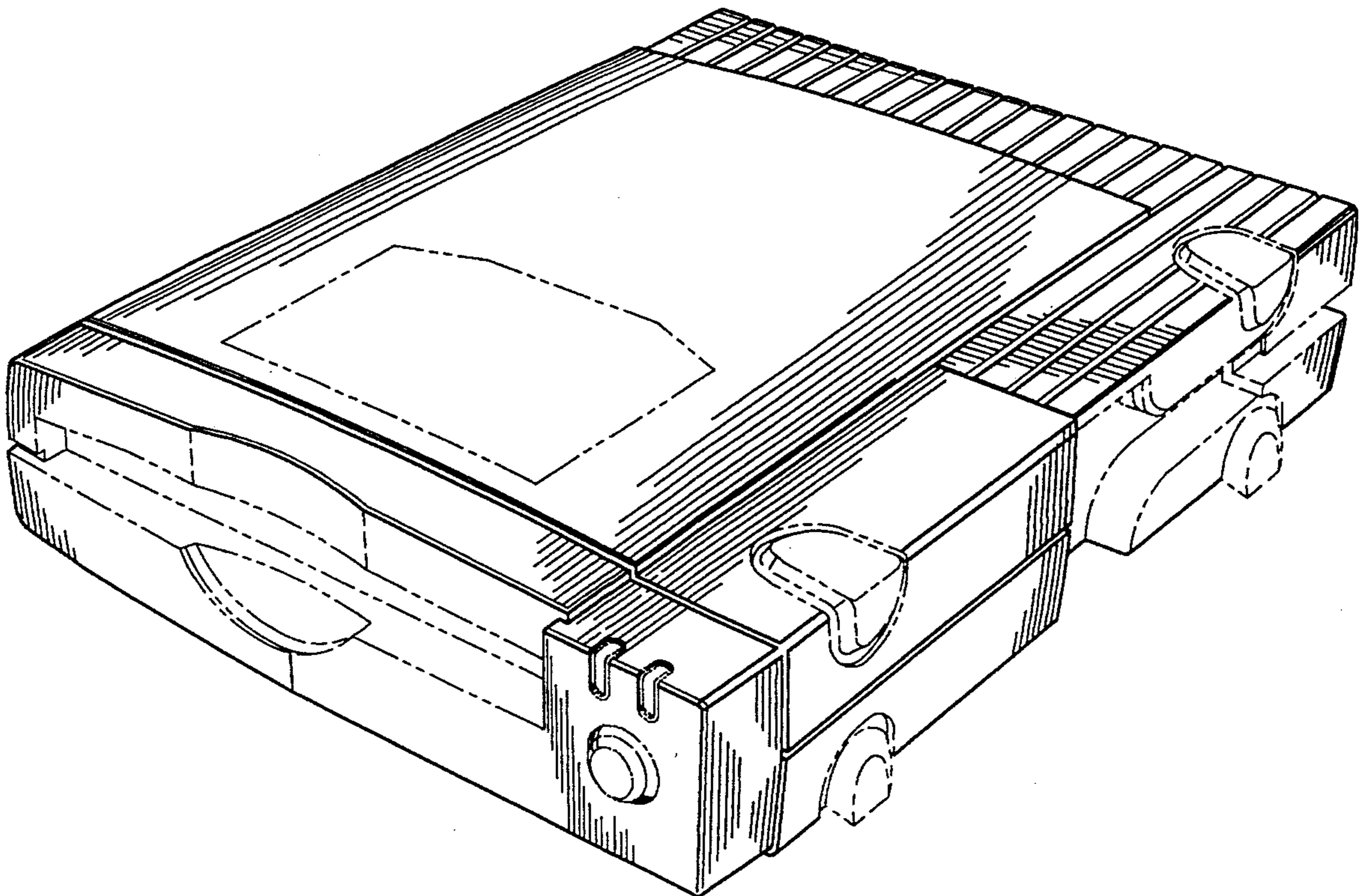
FIG. 6 is a side elevational view of the embodiment shown in FIGS. 1-5;

FIG. 7 is an opposite side elevational view of the embodiment shown in FIGS. 1-6; and,

FIG. 8 is a front elevational view of the embodiment shown in FIGS. 1-7.

The broken lines are shown in the views for illustrative purposes only and form no part of the claimed design.

1 Claim, 8 Drawing Sheets



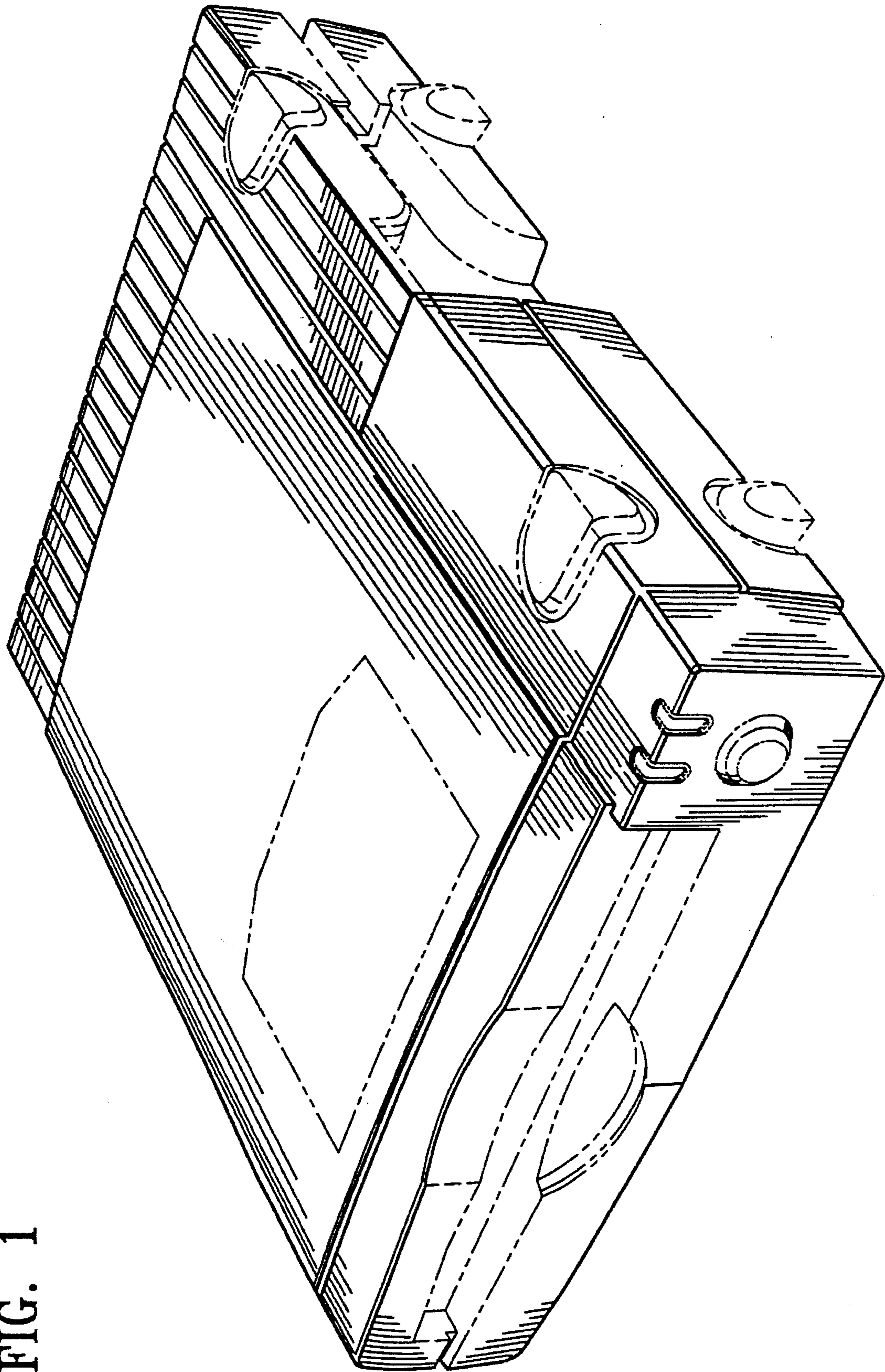


FIG. 1

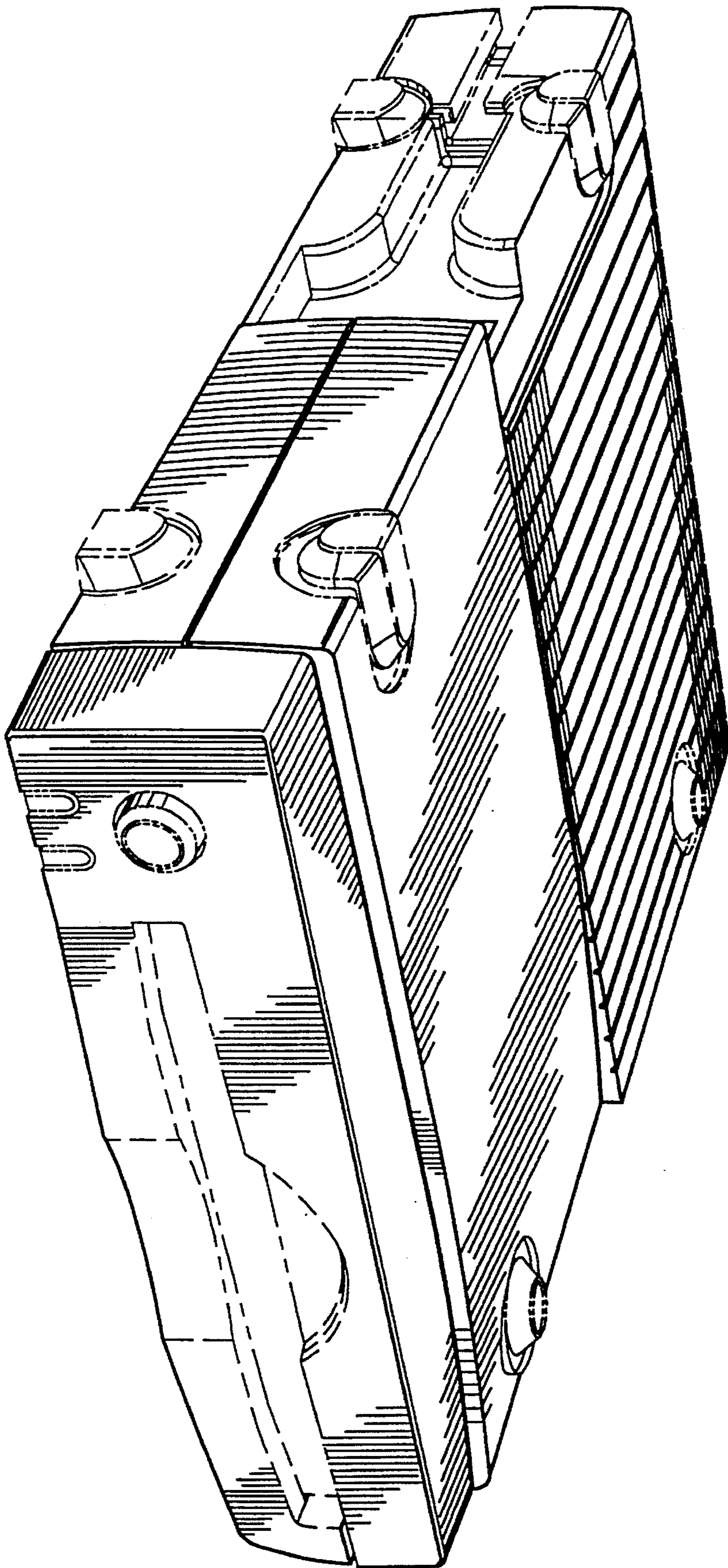
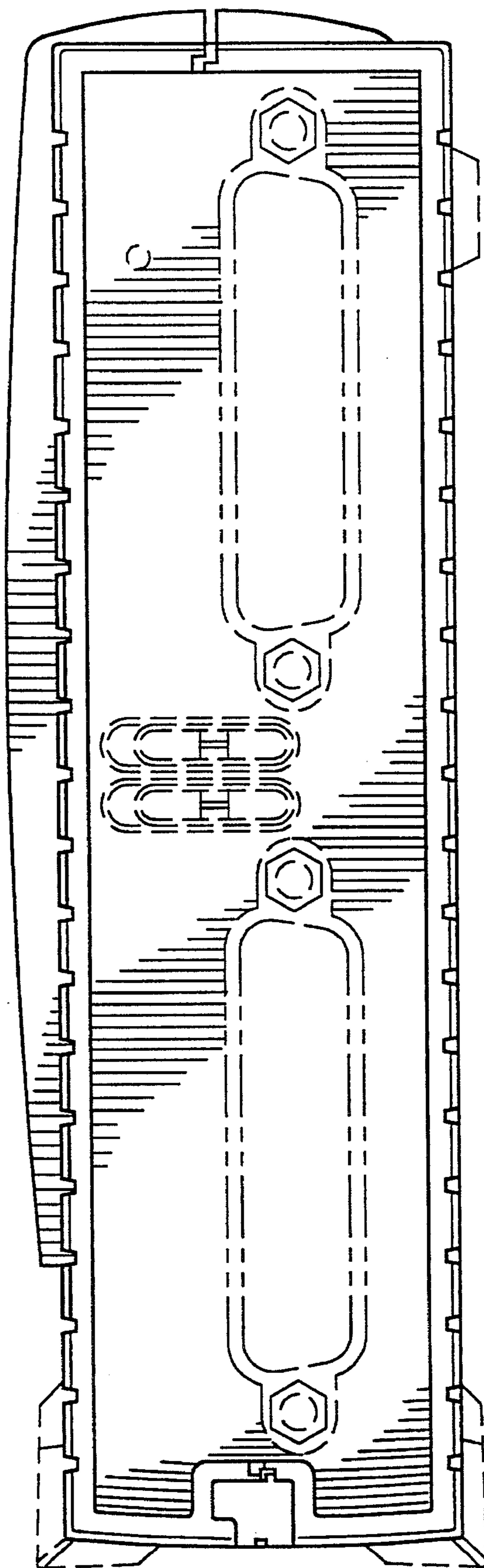


FIG. 2

FIG. 3



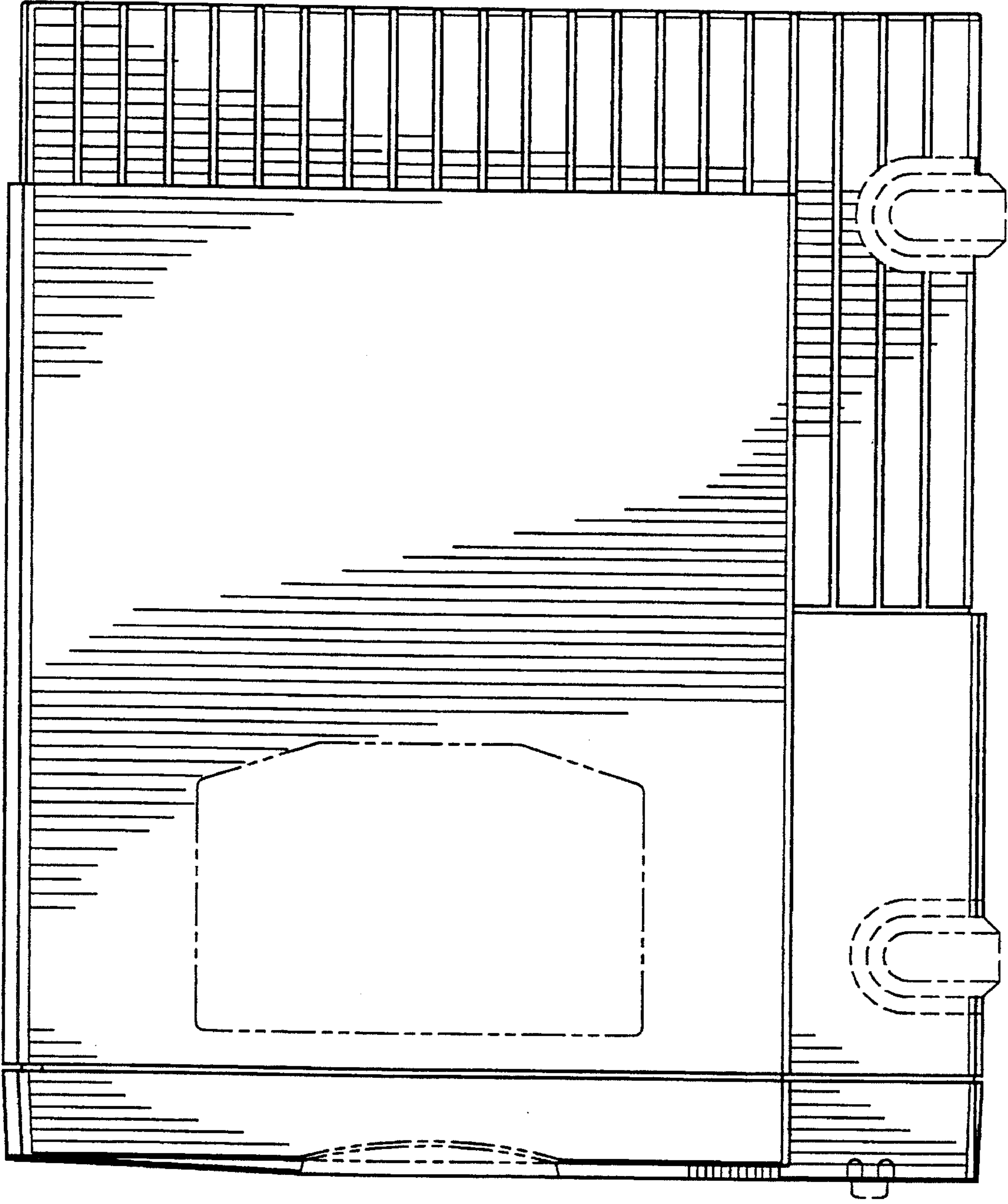


FIG. 4

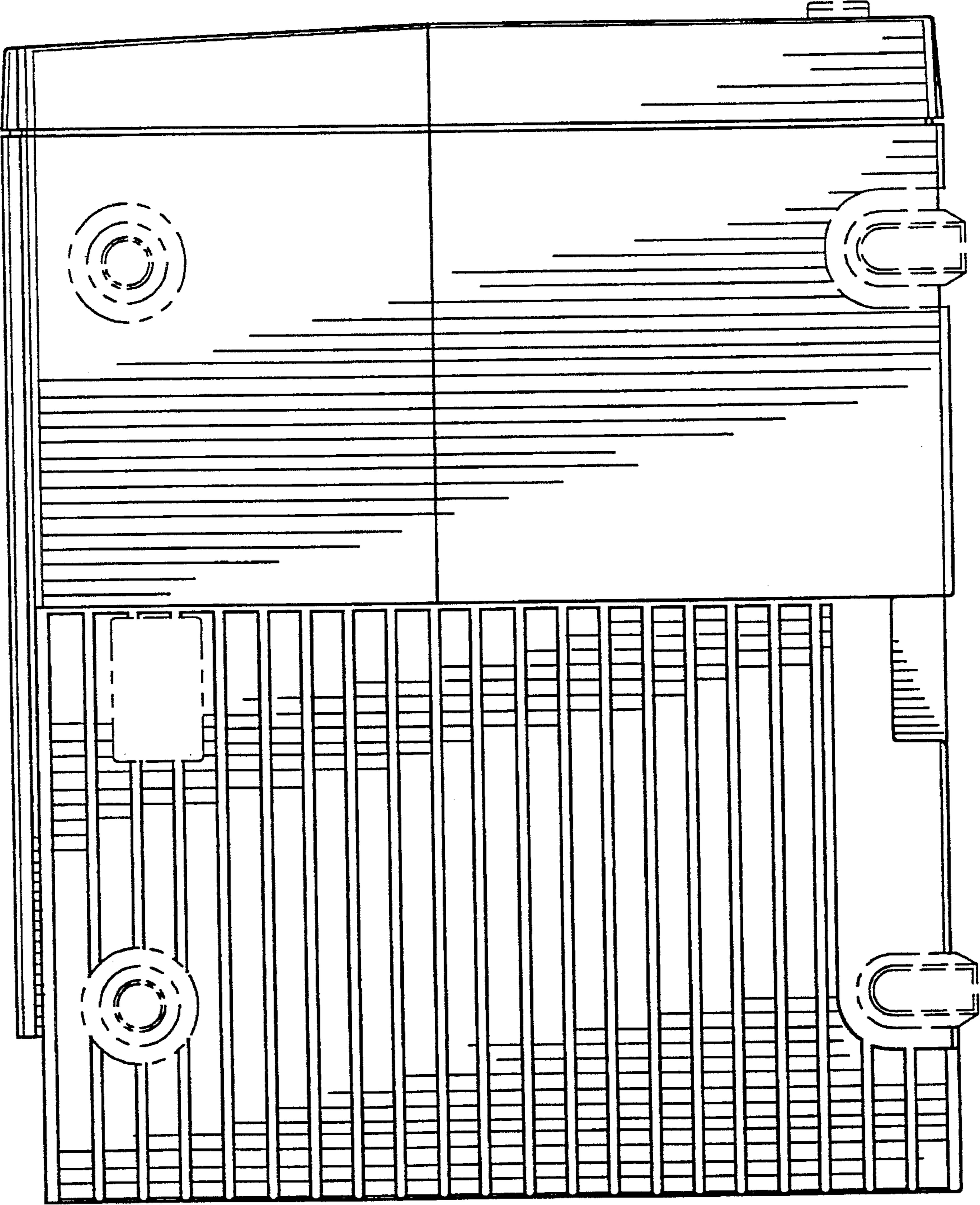


FIG. 5

FIG. 6

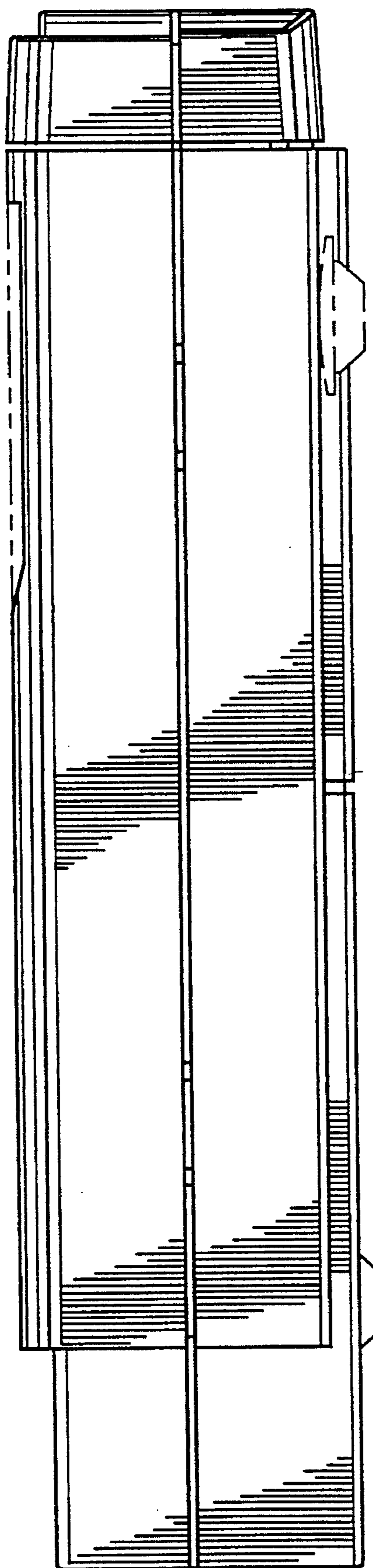


FIG. 7

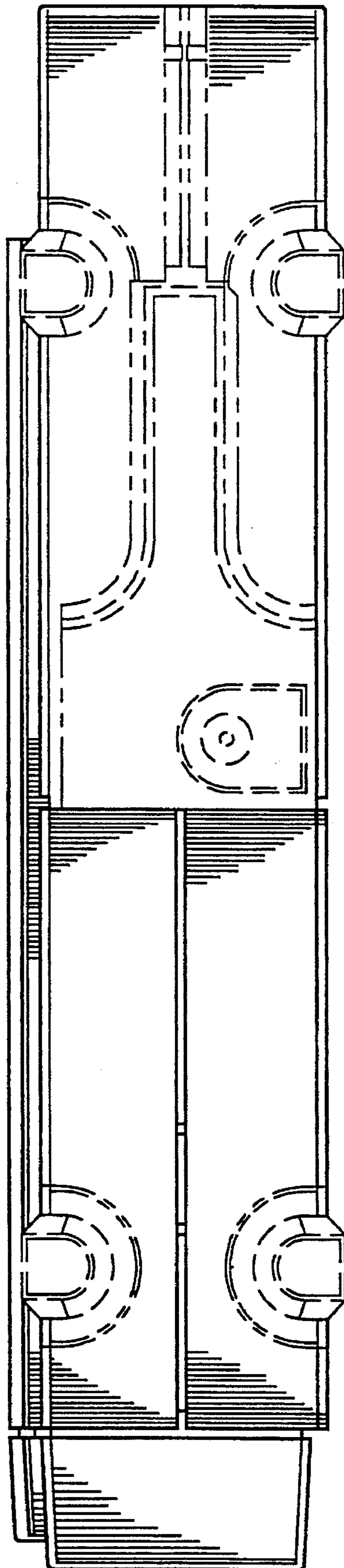


FIG. 8

