



US00D377643S

# United States Patent [19]

[11] **Patent Number: Des. 377,643**

**Endo et al.**

[45] **Date of Patent: \*\*Jan. 28, 1997**

[54] **CONNECTOR FOR ELECTRIC SUPPLIER FOR ELECTRIC CAR**

D. 312,812 12/1990 Campbell ..... D13/120  
5,350,312 9/1994 Kuno et al. .... 439/352 X  
5,385,480 1/1995 Hoffman ..... 439/310

[75] Inventors: **Takayoshi Endo; Toshiaki Hasegawa,**  
both of Shizuoka-ken, Japan

*Primary Examiner*—Joel Sincavage  
*Attorney, Agent, or Firm*—Saidman DesignLaw Group

[73] Assignee: **Yazaki Corporation,** Japan

[\*\*] Term: **14 Years**

## [57] CLAIM

[21] Appl. No.: **52,180**

The ornamental design for a connector for electric supplier for electric car, as shown and described.

[22] Filed: **Mar. 25, 1996**

## DESCRIPTION

### Related U.S. Application Data

[62] Division of Ser. No. 31,261, Nov. 22, 1994, Pat. No. Des. 369,783.

FIG. 1 is a perspective view of a connector for electric supplier for electric car showing our new design;

FIG. 2 is a front elevational view thereof;

### [30] Foreign Application Priority Data

Jul. 19, 1994 [JP] Japan ..... 6-21409

FIG. 3 is a rear elevational view thereof;

[52] U.S. Cl. .... **D13/146**

FIG. 4 is a top view thereof;

[58] Field of Search ..... D13/133, 146;

FIG. 5 is a bottom view thereof;

320/2; 439/310, 352, 372, 266, 34

FIG. 6 is a left side view thereof; and,

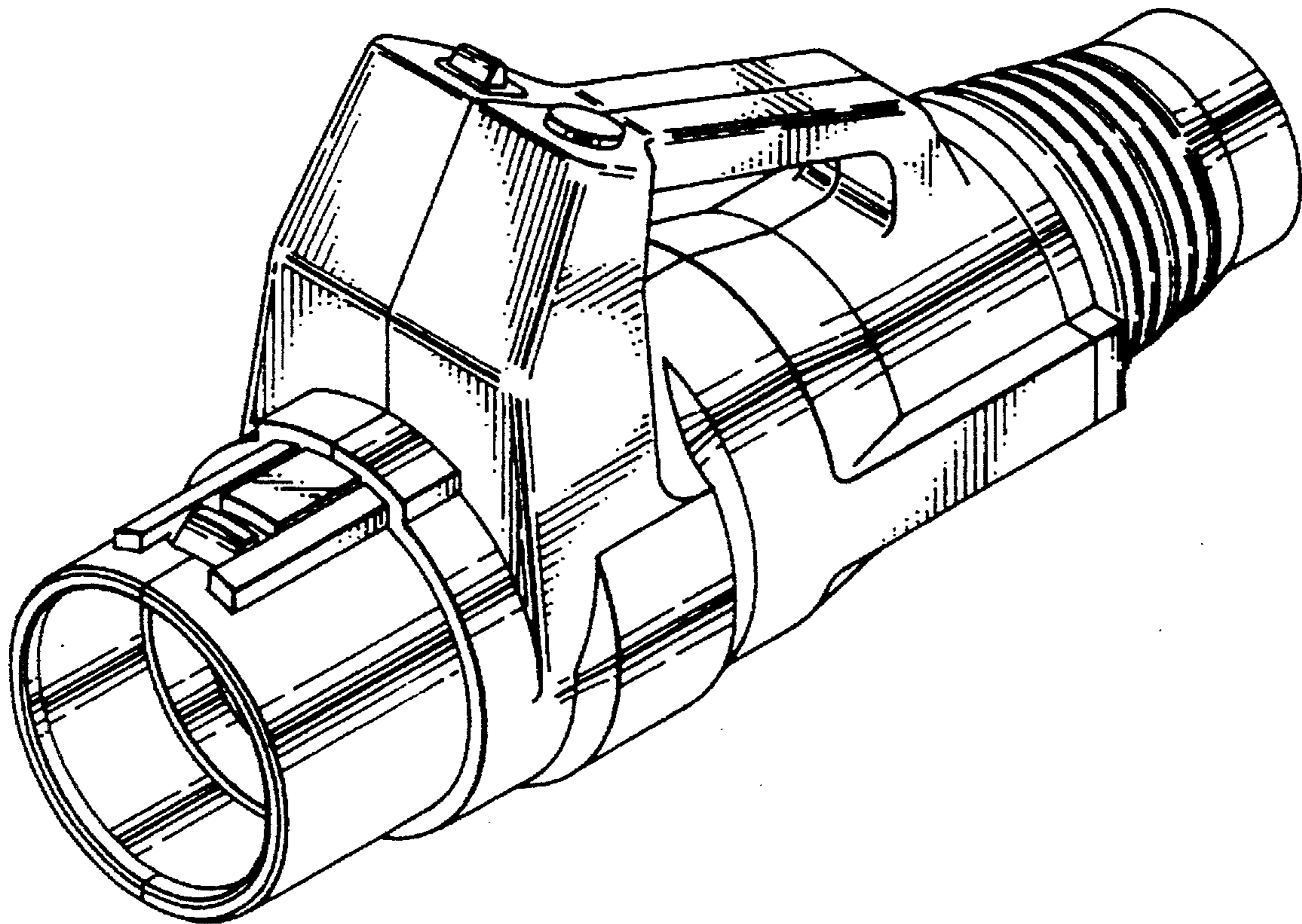
FIG. 7 is a right side view thereof.

### [56] References Cited

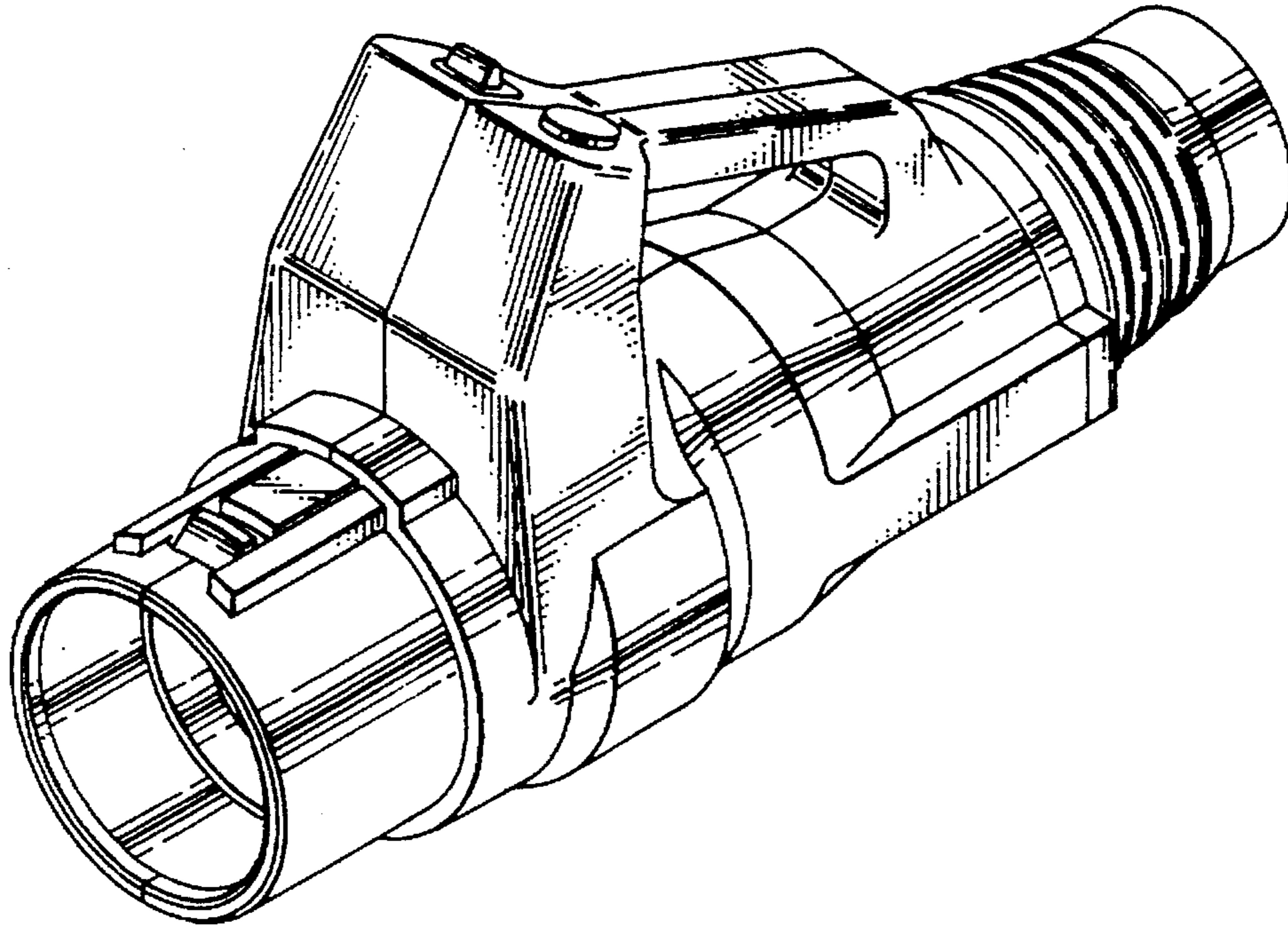
#### U.S. PATENT DOCUMENTS

D. 206,800 1/1987 Goldbaum et al. .... D13/146

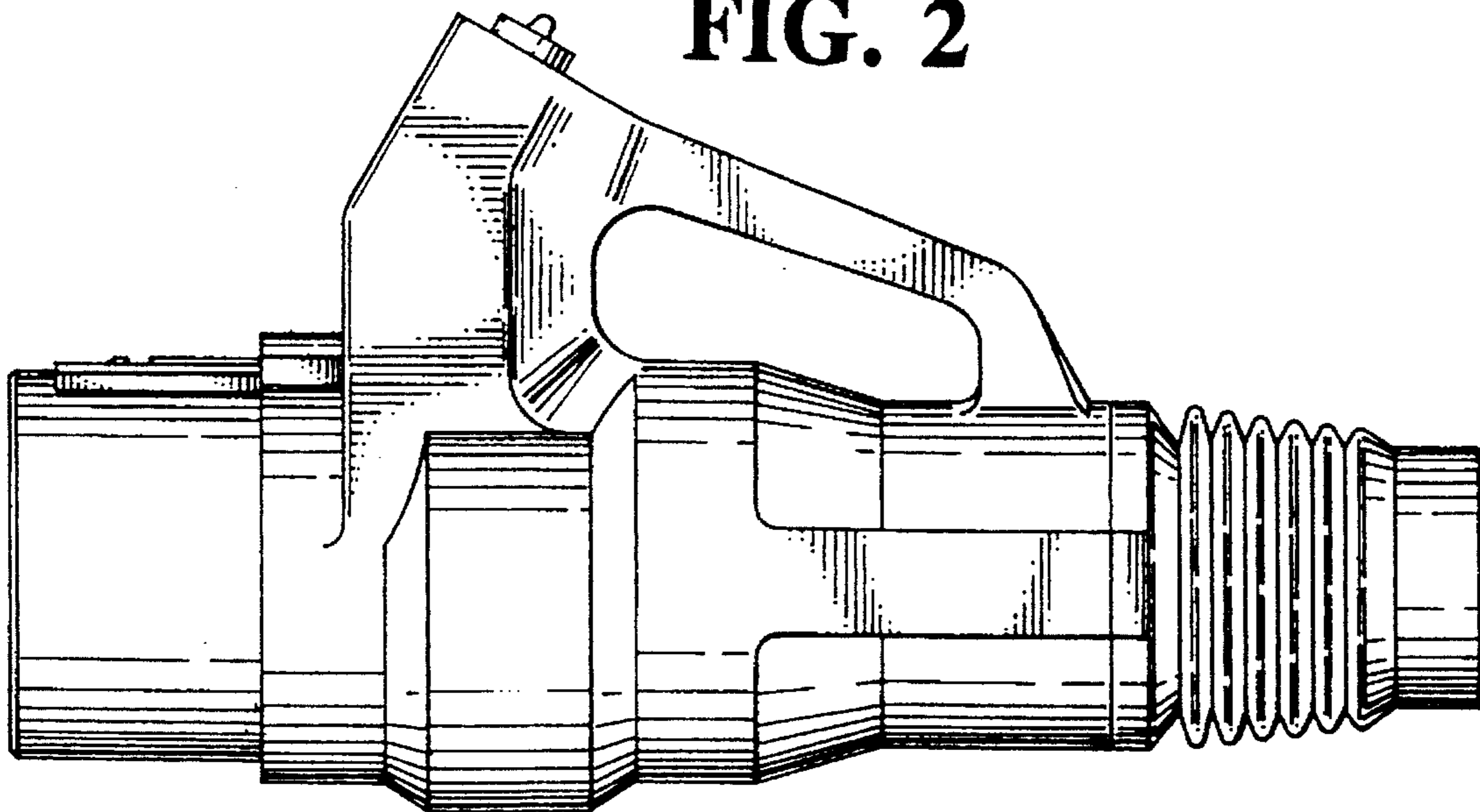
**1 Claim, 3 Drawing Sheets**



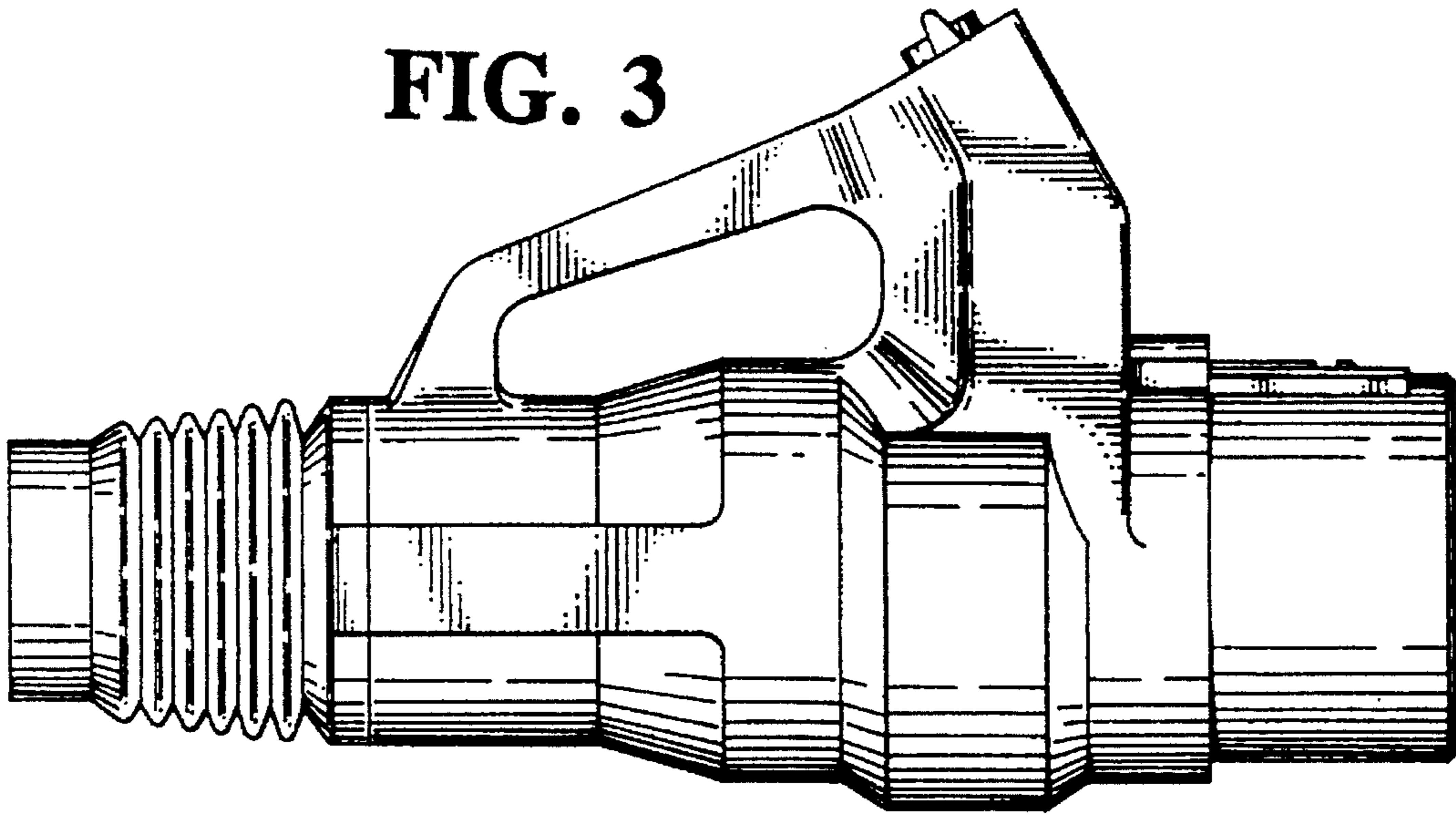
**FIG. 1**



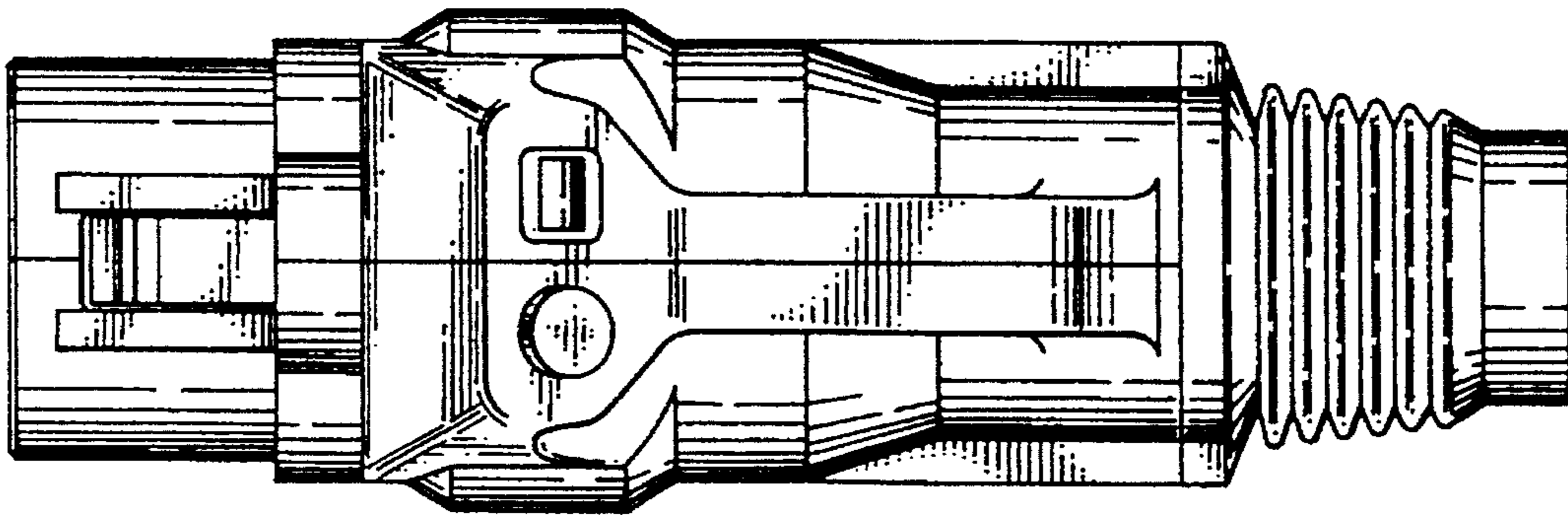
**FIG. 2**



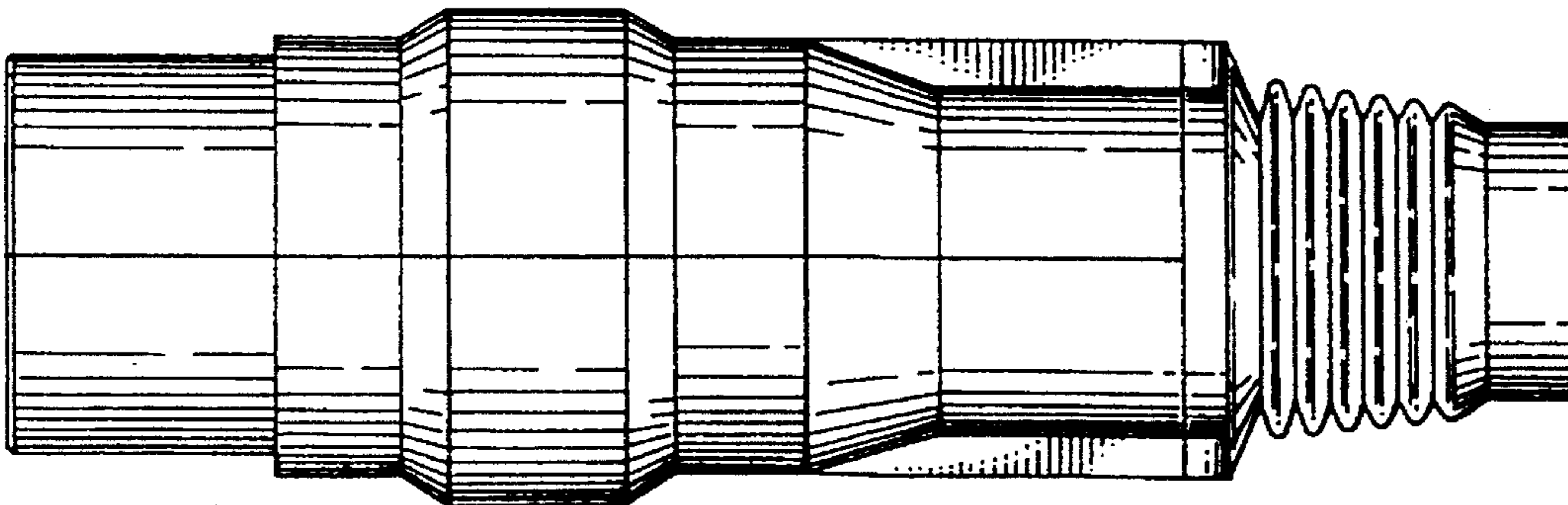
**FIG. 3**



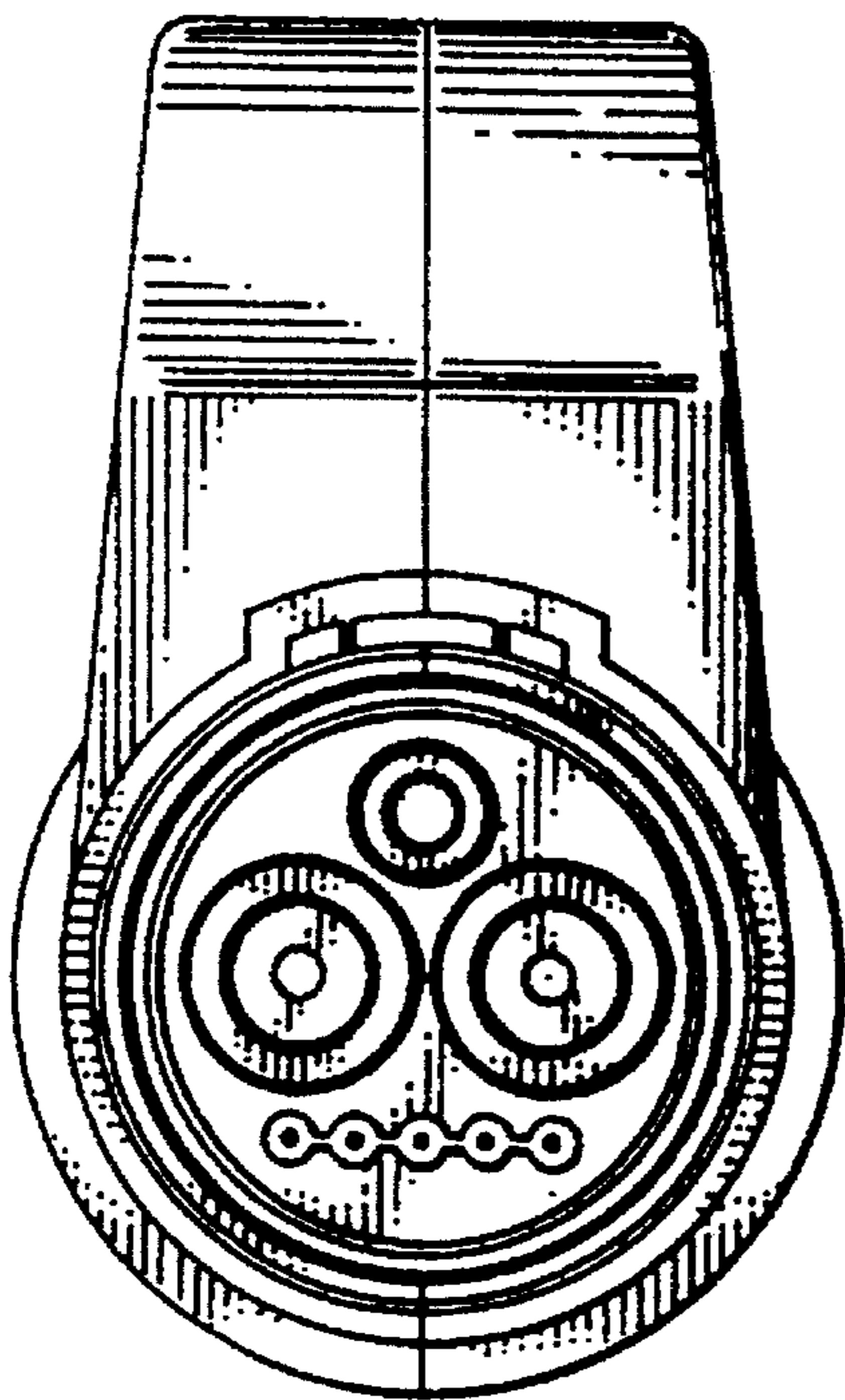
**FIG. 4**



**FIG. 5**



**FIG. 6**



**FIG. 7**

