



US00D377629S

**United States Patent** [19]

[11] **Patent Number: Des. 377,629**

**Lunardon**

[45] **Date of Patent: \*\*Jan. 28, 1997**

[54] **JEWELRY CHAIN**

[57] **CLAIM**

[75] Inventor: **Giulio Lunardon**, Pove del Grappa, Italy

The ornamental design for the jewelry chain, as shown and described.

[73] Assignee: **OroAmerica, Inc.**, Burbank, Calif.

[\*\*] Term: **14 Years**

**DESCRIPTION**

[21] Appl. No.: **34,396**

[22] Filed: **Feb. 3, 1995**

[52] **U.S. Cl.** ..... **D11/13**

[58] **Field of Search** ..... D11/1-25, 37-39, D11/93, 94; 63/1.1-1.2, 12-13, 14.1, 4, 5; 59/79.3, 80, 82, 90, 3

FIG. 1 is a perspective view of jewelry chain showing my new design, it being understood that the broken lines indicate that the chain continues uniformly for the distance shown. The broken line showing of clasps are for illustrative purposes only and form no part of the claimed design;

FIG. 2 is a perspective view;

FIG. 3 is a top plan view;

FIG. 4 is a bottom plan view;

FIG. 5 is a cross sectional view taken along the lines 5—5 of FIG. 3; and,

FIG. 6 is a side elevational view.

[56] **References Cited**

**U.S. PATENT DOCUMENTS**

- D. 333,637 3/1993 Zizola ..... D11/13
- D. 334,723 4/1993 Bichi ..... D11/15
- D. 338,630 9/1993 Bichi ..... D11/13

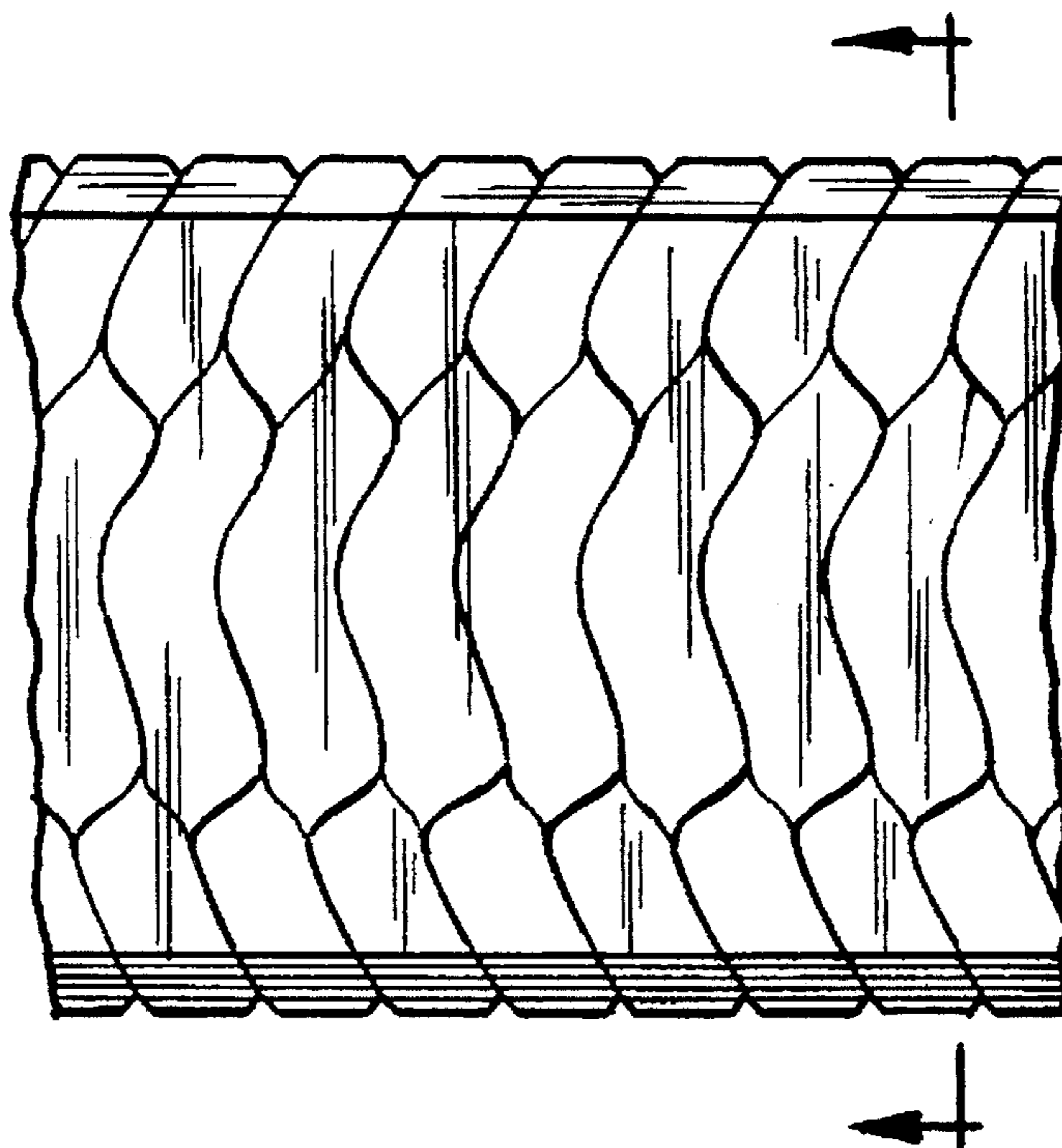
**OTHER PUBLICATIONS**

1995 Bennett Brothers Blue Book Catalog, Item upper left of page. 28.

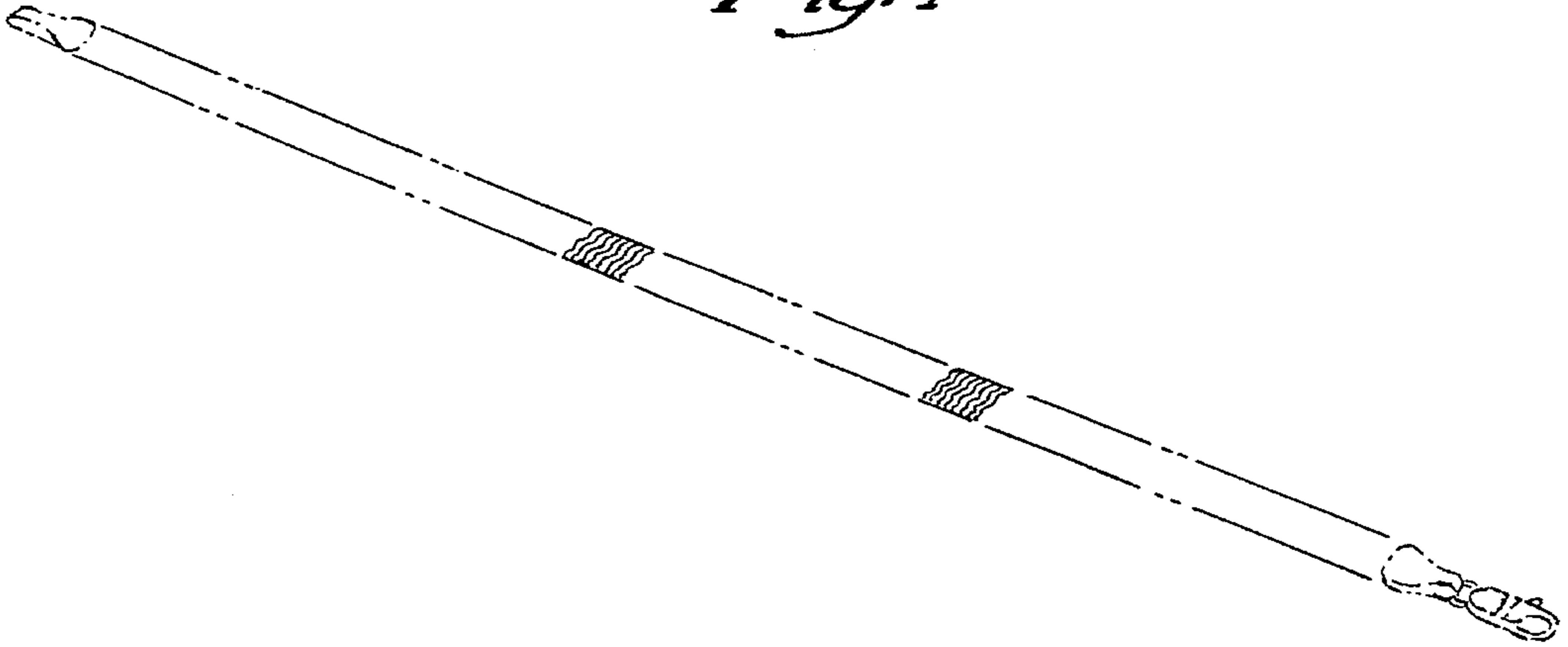
*Primary Examiner*—Ralf Seifert

*Attorney, Agent, or Firm*—Drucker & Sommers

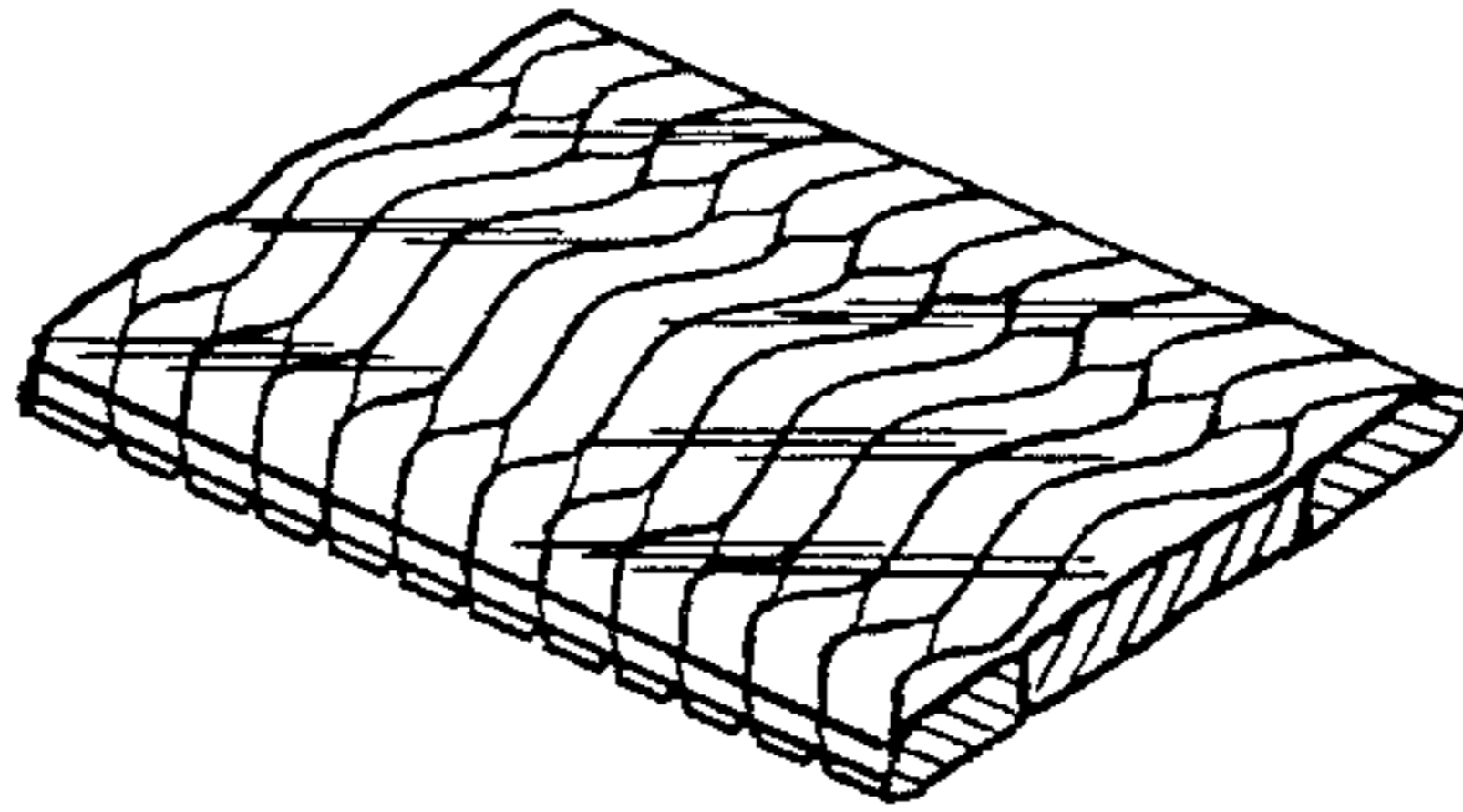
**1 Claim, 1 Drawing Sheet**



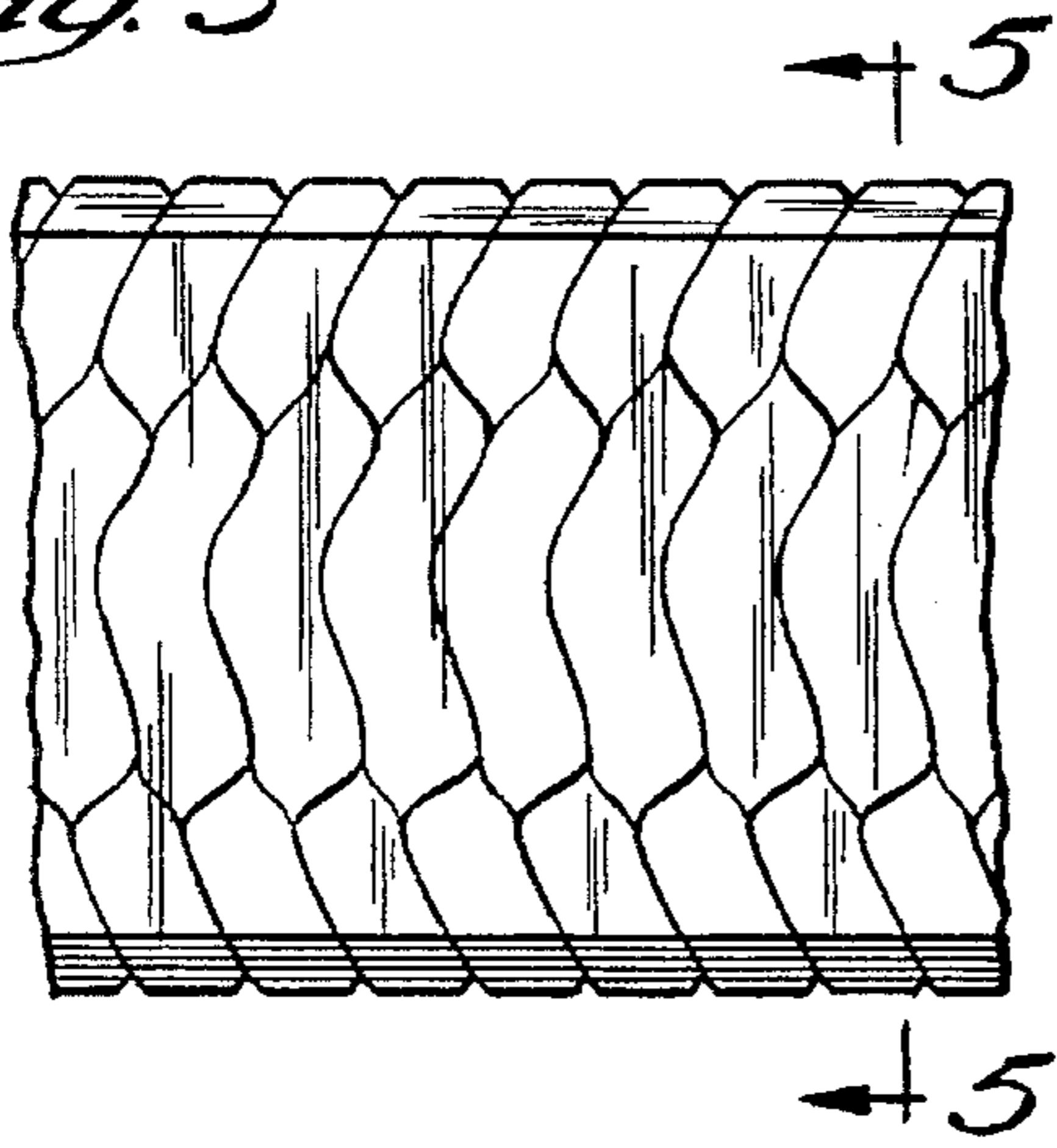
*Fig. 1*



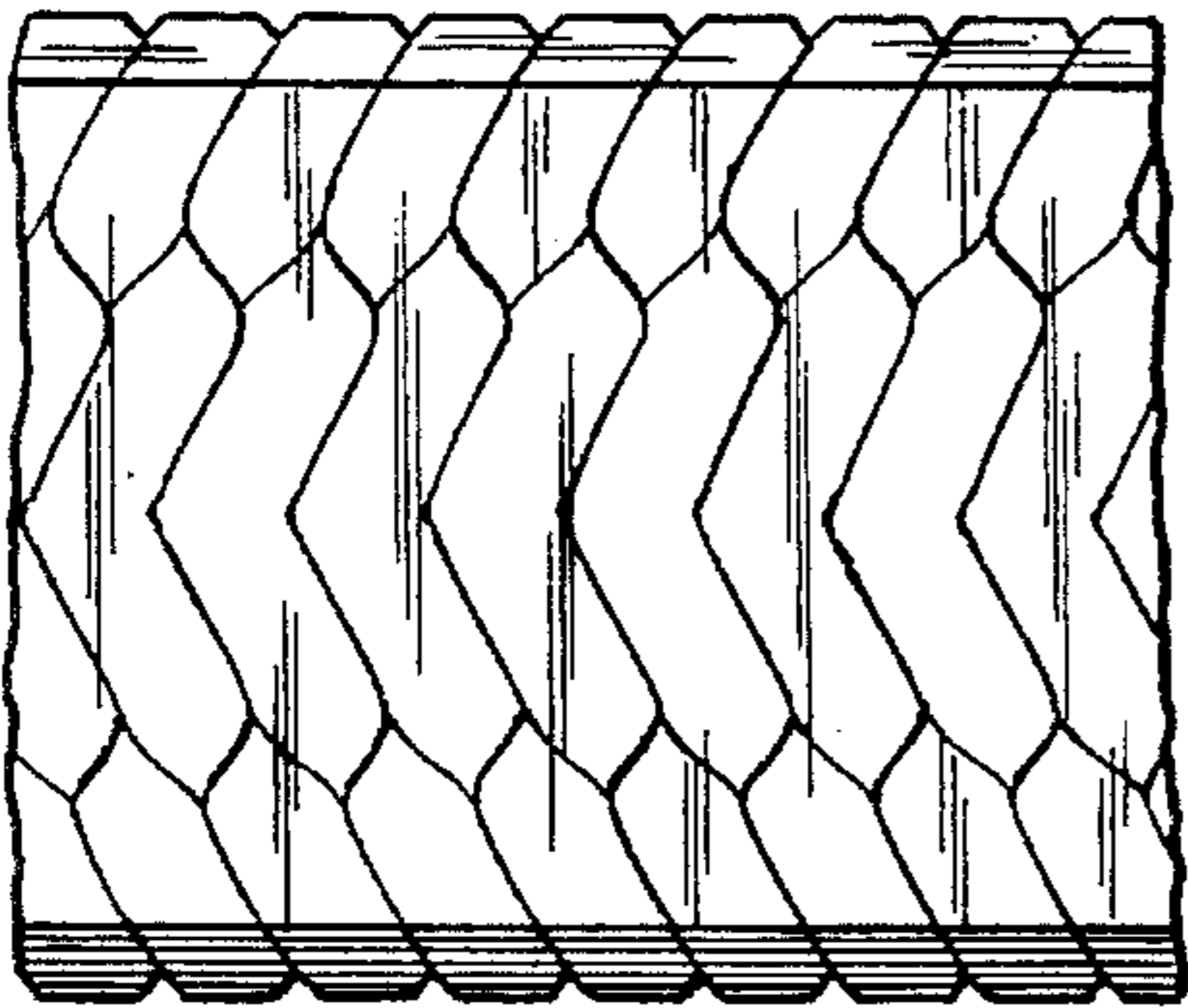
*Fig. 2*



*Fig. 3*



*Fig. 5*



*Fig. 4*



*Fig. 6*