



US00D377622S

United States Patent [19]

Chen et al.

[11] Patent Number: **Des. 377,622**

[45] Date of Patent: ****Jan. 28, 1997**

[54] **TIMING LIGHT FOR AUTOMOTIVE ENGINES**

[75] Inventors: **Ieon C. Chen**, Laguna Hills; **Michael S. Wilson**, Long Beach, both of Calif.

[73] Assignee: **Innova Electronics Corp.**, Fountain Valley, Calif.

[**] Term: **14 Years**

[21] Appl. No.: **49,781**

[22] Filed: **Jan. 31, 1996**

[52] U.S. Cl. **D10/112; D10/78**

[58] Field of Search **D10/78, 112; 78/116, 78/499; 123/146.5 A, 414-418, 478, 612, 620, 640, 672; 324/390-395, 402; 364/424.03, 431.01**

3,986,009 10/1976 Fastaia 235/151
 4,008,430 2/1977 Blum 324/15
 4,010,414 3/1977 Reeves et al. 324/16
 4,063,152 12/1977 Reeves 324/16
 4,070,613 1/1978 Brady 324/16
 4,092,585 5/1978 Bovenlander 324/16
 4,095,170 6/1978 Schmitt 324/16
 4,095,179 6/1978 Bremer et al. 324/207
 4,106,461 8/1978 Giannini 123/148
 4,128,005 12/1978 Arnston et al. 73/117
 4,158,305 6/1979 Shipley 73/119
 4,337,515 6/1982 Kreft 364/551
 4,395,680 7/1983 Slutzky 324/392
 4,413,508 11/1983 Kawamura et al. 73/116
 4,417,211 11/1983 Ciriacks et al. 324/392
 4,441,360 4/1984 Dooley et al. 73/119
 4,454,475 6/1984 Tsuchiya 324/392
 4,469,952 9/1984 Olson et al. 250/551
 4,472,779 9/1984 Marino et al. 364/431
 4,517,833 5/1985 Wesley 73/119
 4,594,886 6/1986 Chen 73/116
 4,713,617 12/1987 Michalski 324/395
 4,965,494 10/1990 Wisneski, Jr. et al. 315/241
 5,023,764 6/1991 McKinnon et al. 362/299
 5,146,168 9/1992 Shaland 324/392
 5,387,870 2/1995 Knapp et al. 324/379

[56] References Cited

U.S. PATENT DOCUMENTS

D. 244,364 5/1977 Rasmussen D10/112
 D. 292,893 11/1987 Bakula et al. D10/112
 D. 345,117 3/1994 Pacetti et al. D10/78 X
 2,644,131 6/1953 Walraven et al. 324/17
 2,664,012 12/1953 Newsome 73/116
 2,703,376 3/1955 Board 315/219
 2,787,760 4/1957 Sammis et al. 324/16
 2,959,711 11/1960 Parmater et al. 315/224
 3,004,191 10/1961 Umbarger 315/219
 3,042,835 7/1962 Badger 315/171
 3,286,165 11/1966 Small 324/16
 3,364,418 1/1968 MacCrea 324/16
 3,368,143 2/1968 Roberts et al. 324/16
 3,573,609 4/1971 Vaher 324/17
 3,665,294 5/1972 Pelta et al. 324/16
 3,743,922 7/1973 Festos 324/19
 3,775,672 11/1973 Letosky 324/16
 3,781,656 12/1973 Glew 324/16
 3,793,584 2/1974 Liebermann et al. 324/16
 3,813,931 6/1974 Rennick et al. 73/116
 3,872,376 3/1975 Kalenevitch 324/17
 3,955,135 5/1976 Fastaia 324/167

Primary Examiner—Antoine Duval Davis
Attorney, Agent, or Firm—Stetina Brunda & Buyan

[57] CLAIM

The ornamental design for a timing light for automotive engines, as shown and described.

DESCRIPTION

FIG. 1 is a top perspective view of the timing light for automotive engines showing our new design;
 FIG. 2 is a side view thereof the opposite side being a mirror image;
 FIG. 3 is a bottom view thereof;
 FIG. 4 is a rear end view thereof; and,
 FIG. 5 is a front end view thereof.

1 Claim, 1 Drawing Sheet

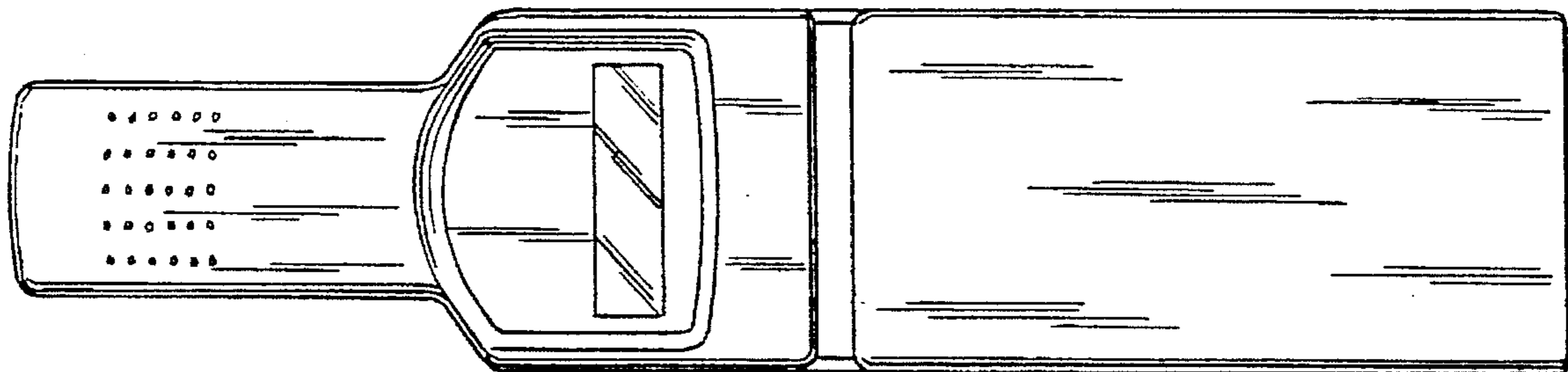


Fig. 1

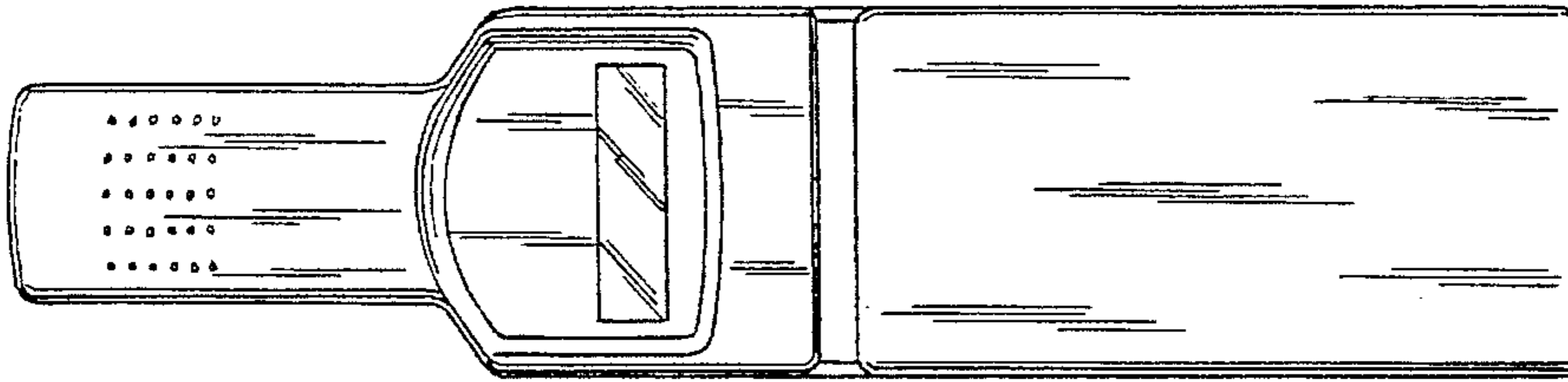


Fig. 2

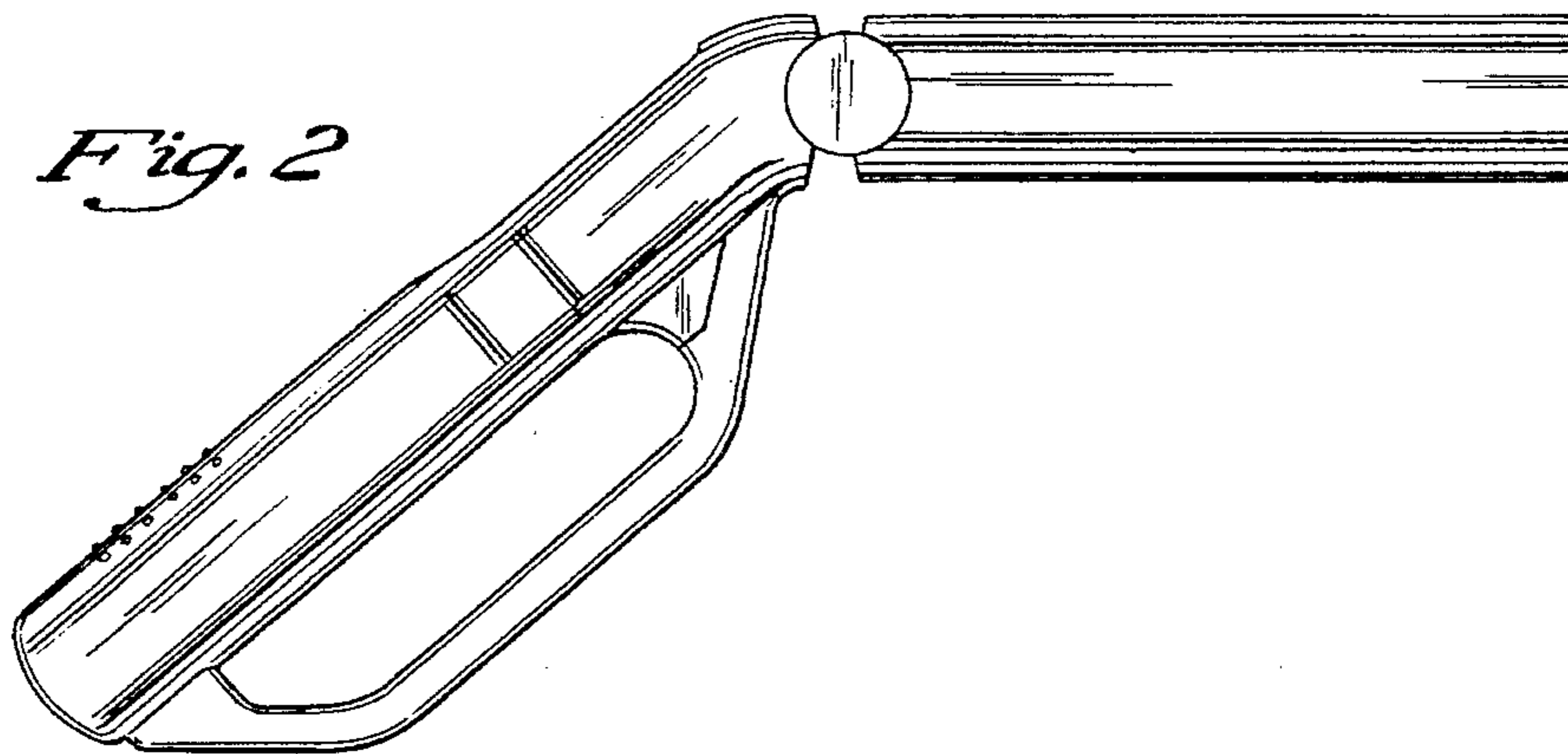


Fig. 3

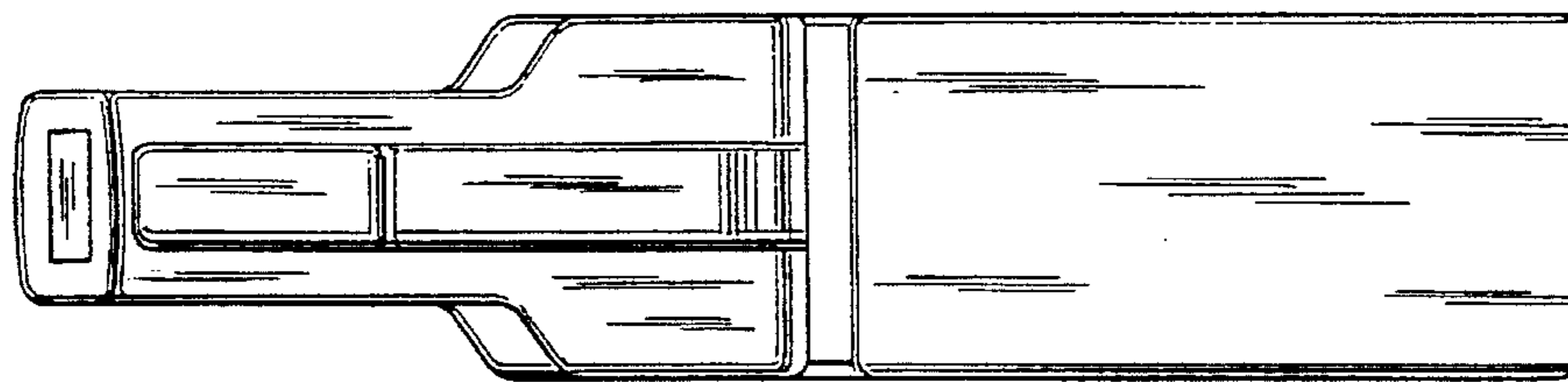


Fig. 4

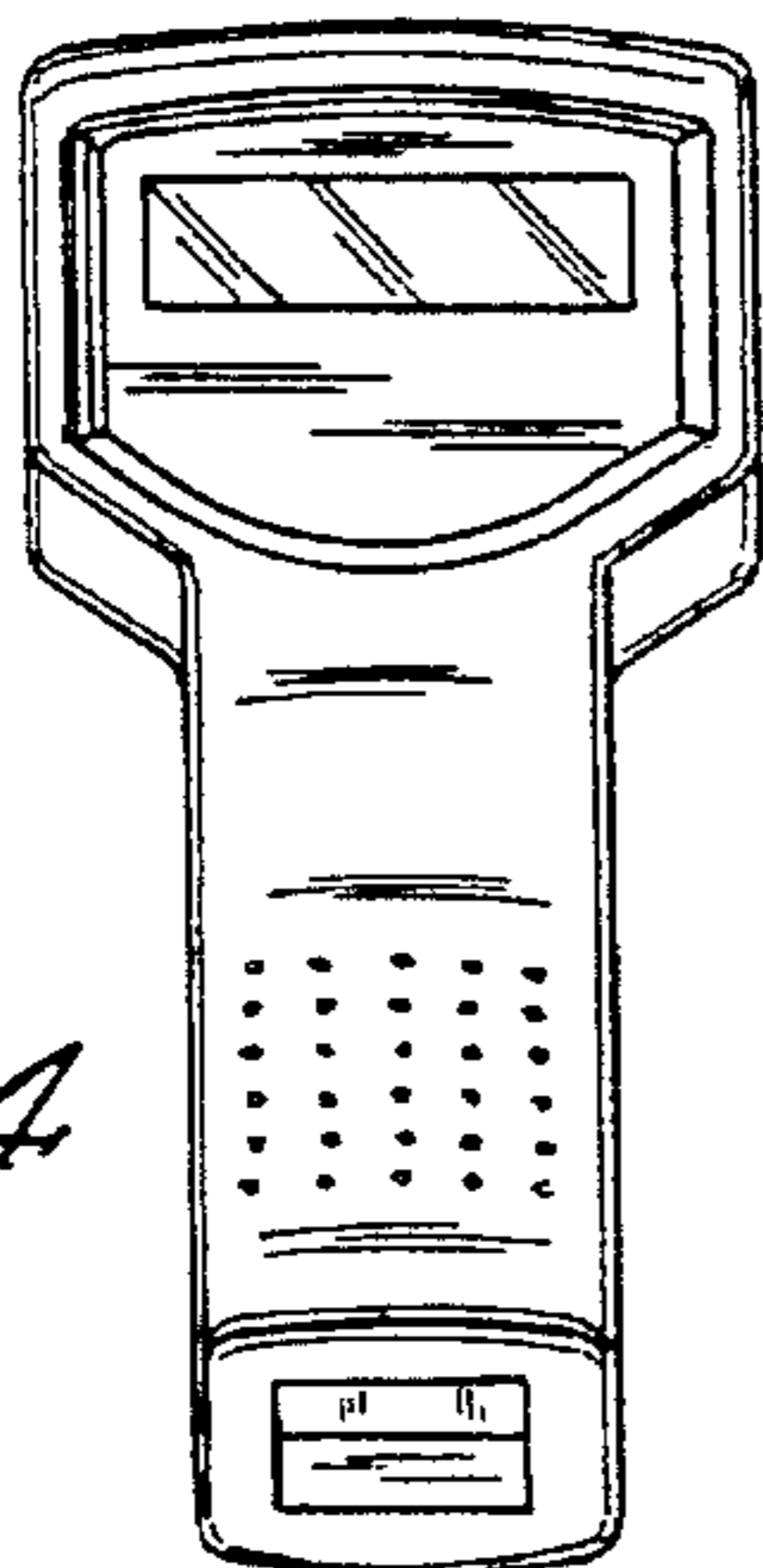


Fig. 5

