



US00D377619S

United States Patent [19]
Sandell

[11] **Patent Number: Des. 377,619**

[45] **Date of Patent: **Jan. 28, 1997**

[54] **MOUNTING BASE FOR A LIGHT FIXTURE WITH PASSIVE INFRARED MOTION DETECTOR**

Primary Examiner—Marcus A. Jackson
Attorney, Agent, or Firm—Elliot B. Aronson

[75] **Inventor: Donald R. Sandell, San Jose, Calif.**

[57] **CLAIM**

[73] **Assignee: Larry C. Y. Lee, Hayward, Calif.**

The ornamental design for a mounting base for a light fixture with passive infrared motion detector, as shown and described.

[**] **Term: 14 Years**

[21] **Appl. No.: 45,300**

[22] **Filed: Oct. 16, 1995**

[52] **U.S. Cl. D10/106**

[58] **Field of Search** D10/104, 106, D10/114, 116, 121; D23/51, 63, 67; 340/521, 540, 541, 543, 544, 545, 546, 555, 556, 557, 565

DESCRIPTION

FIG. 1 is a lower right perspective view, at a reduced scale, of a mounting base for a light fixture with passive infrared motion detector showing my new design;

[56] **References Cited**

U.S. PATENT DOCUMENTS

D. 366,222	1/1996	Sandell et al.	D10/106
D. 369,225	4/1996	Sandell	D10/106
D. 372,203	7/1996	Sandell et al.	D10/106

FIG. 2 is a front elevational view thereof; the rear view is plain and unornamented;

OTHER PUBLICATIONS

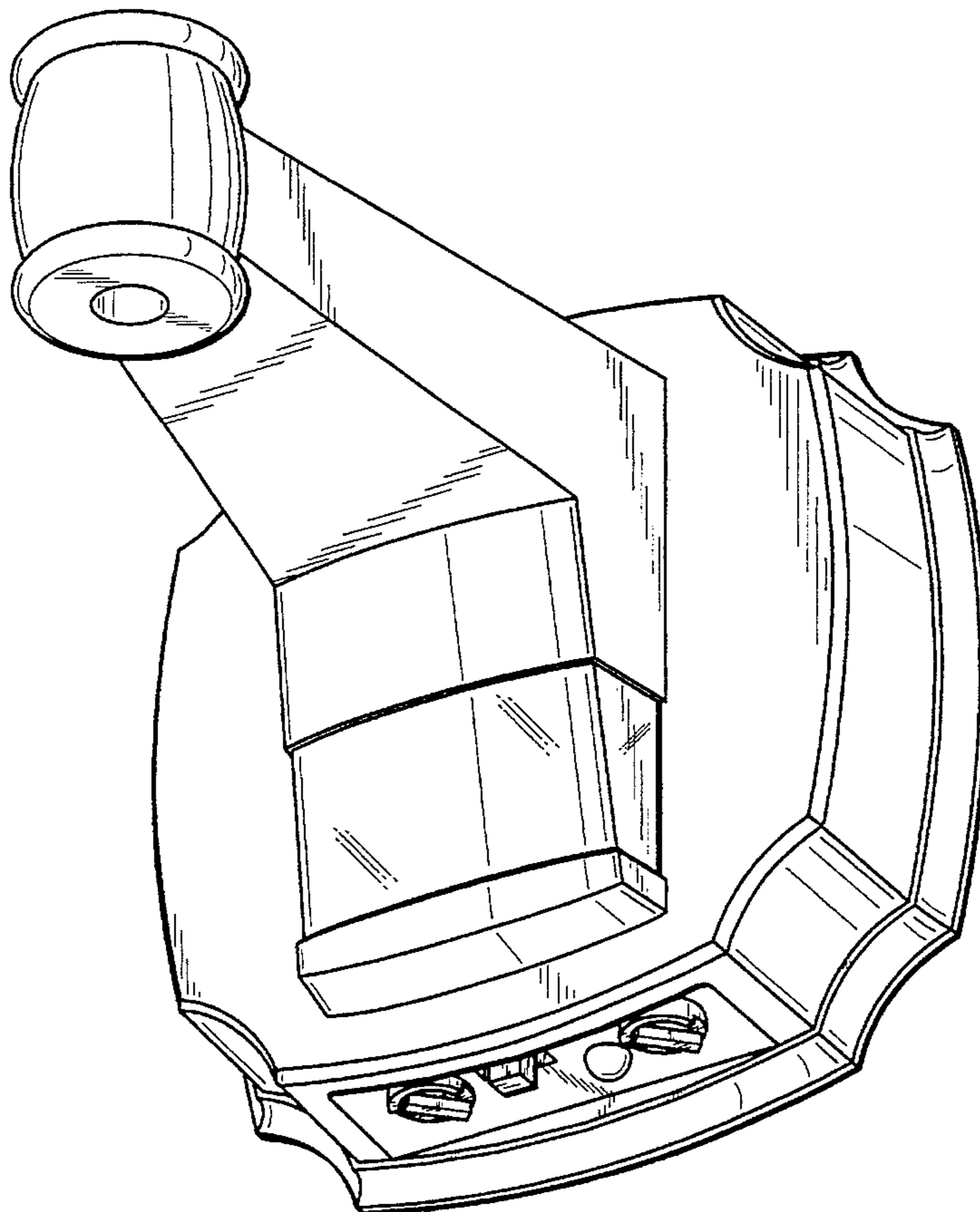
International Lighting Catalog 1090, pp. 77-80, 82-83, prior to Oct. 1995.
"Regent Motion-Activated Coach Lanterns," Regent Lighting Corporation, Product promotional literature, prior to May 1994.

FIG. 3 is a left elevational view thereof, the right elevational view being a mirror image;

FIG. 4 is a top plan view thereof; and,

FIG. 5 is a bottom plan view thereof.

1 Claim, 3 Drawing Sheets



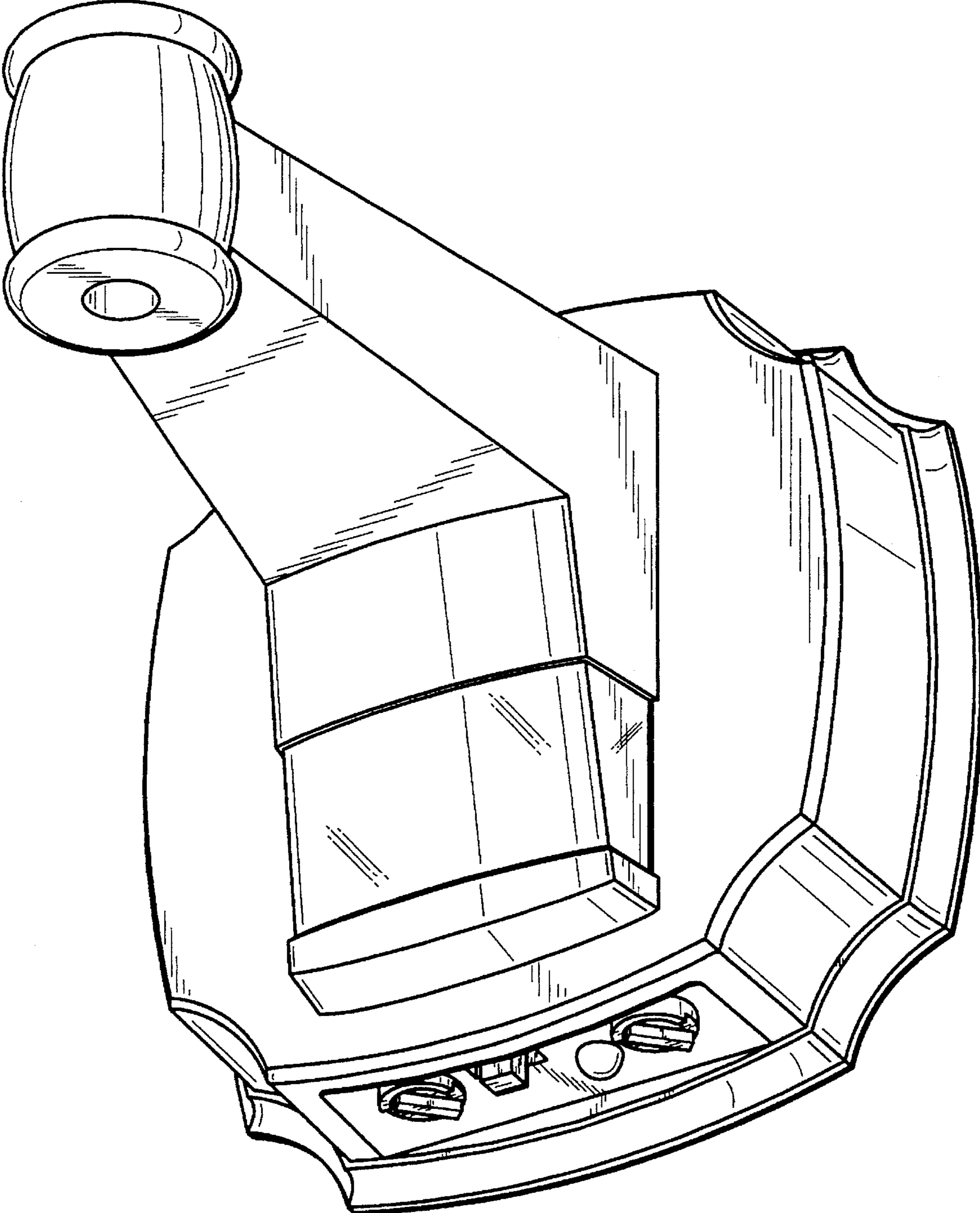


FIG. 1

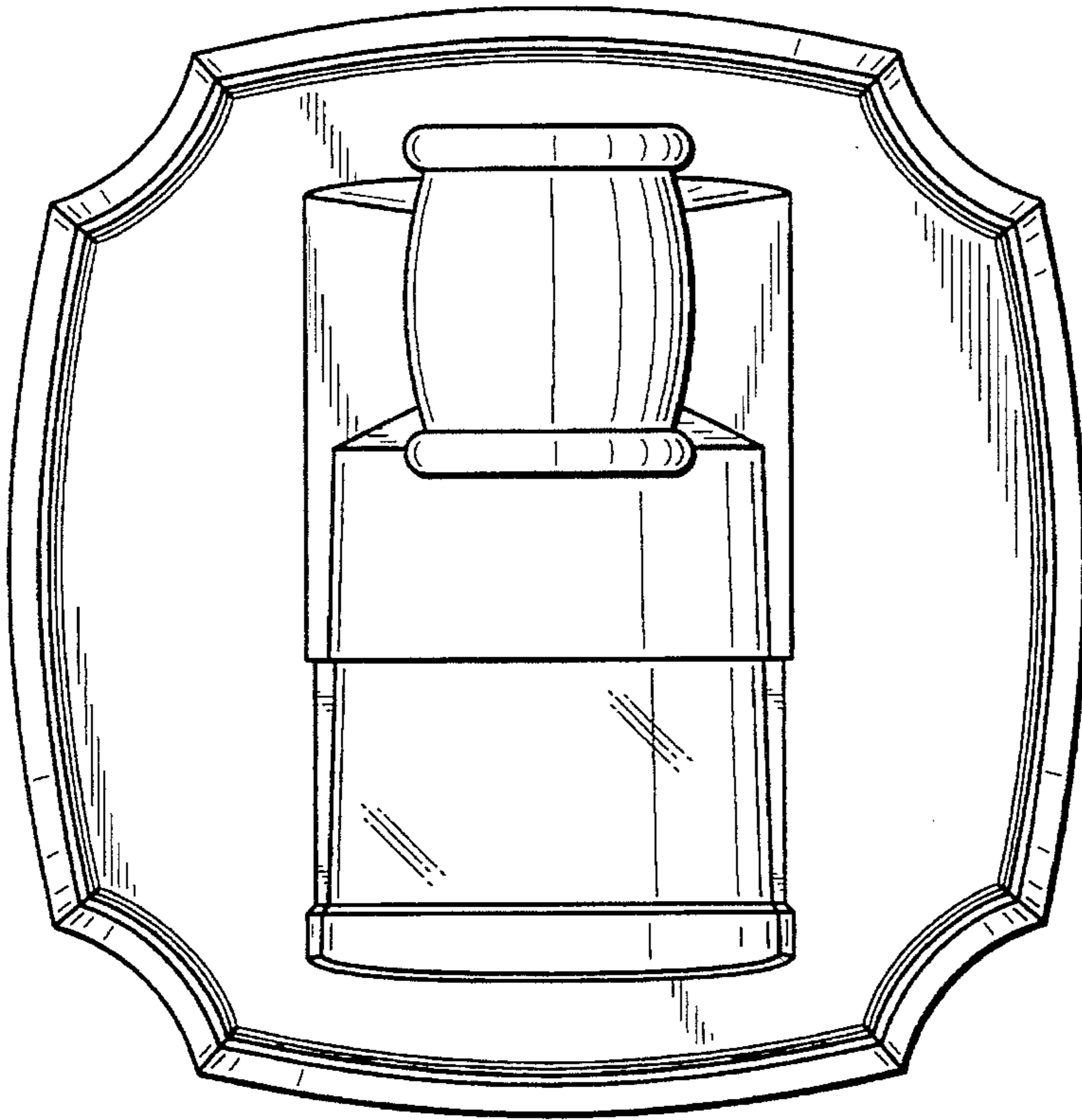


FIG. 2

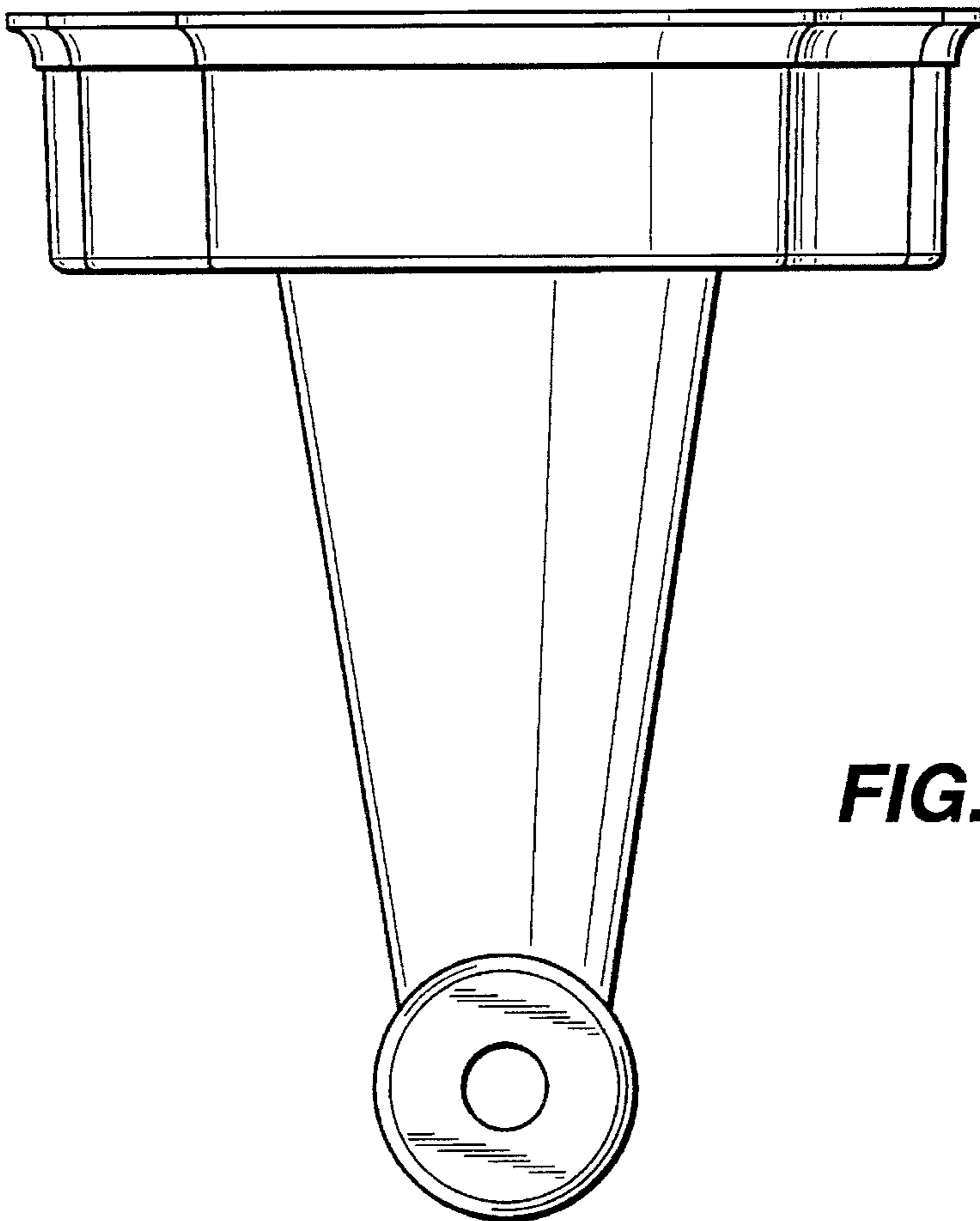


FIG. 4

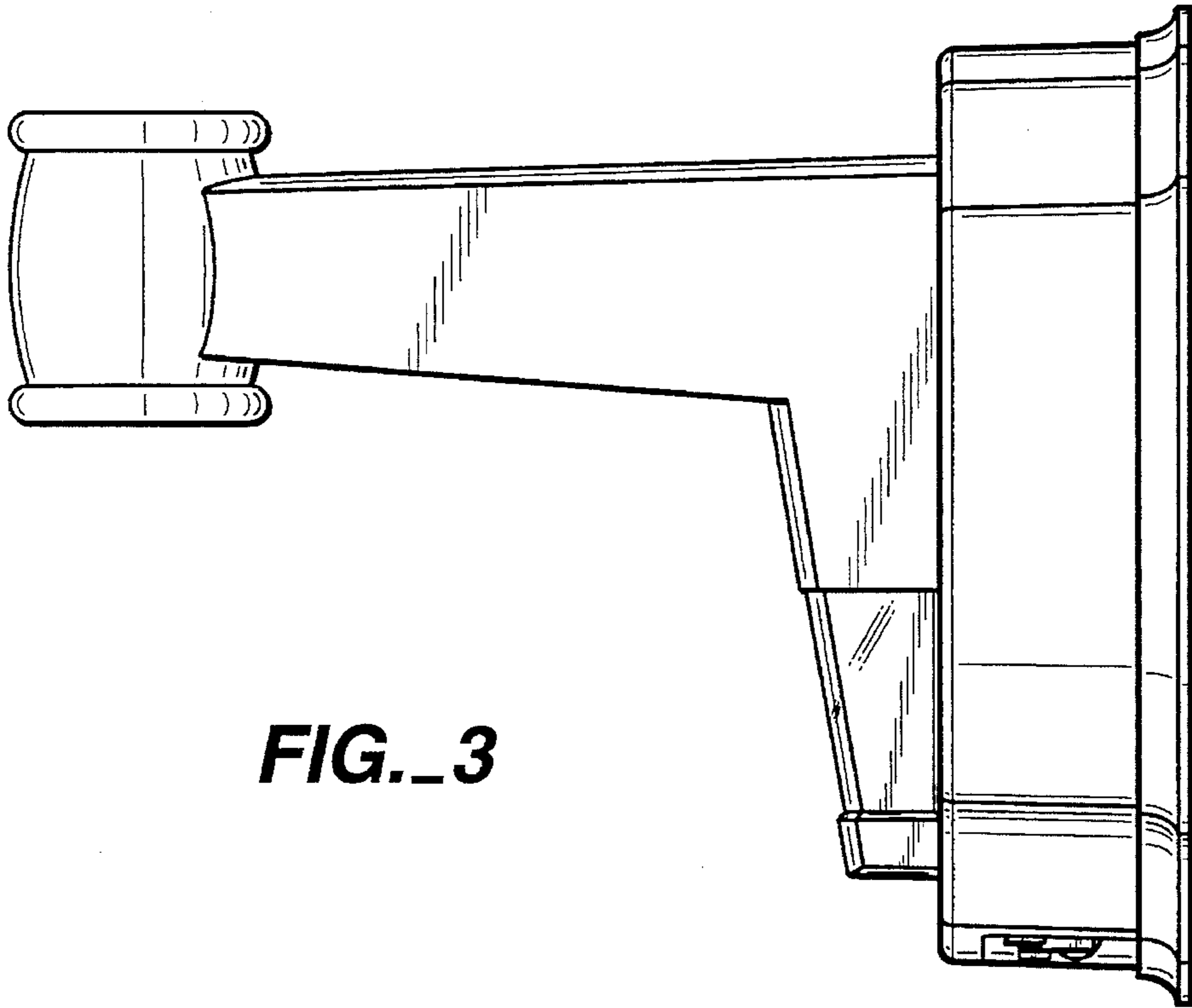


FIG._3

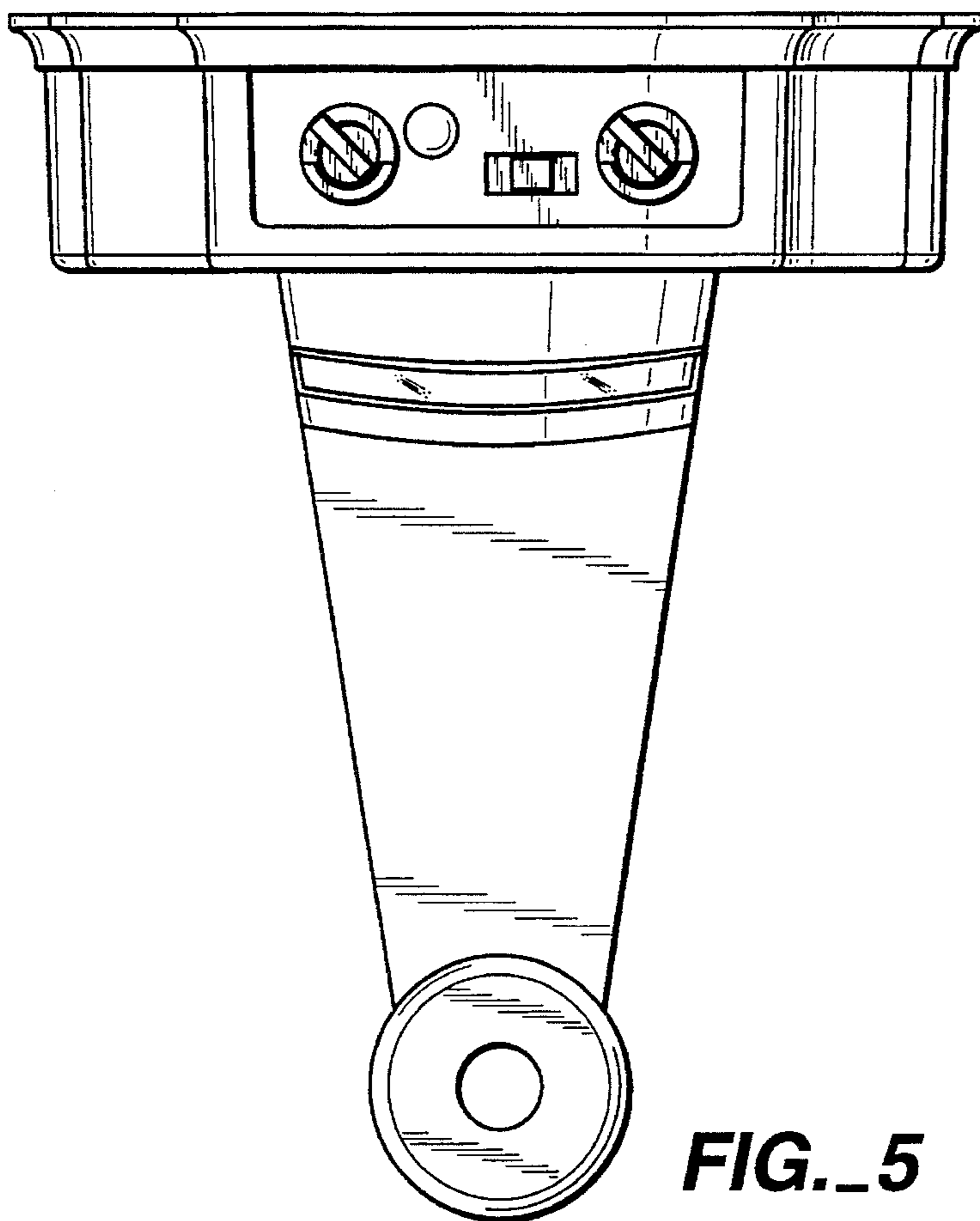


FIG._5