



US00D377618S

United States Patent [19]
Yarbrough

[11] **Patent Number: Des. 377,618**

[45] **Date of Patent: **Jan. 28, 1997**

[54] **COMBINED TRANSMITTER AND RECEIVER FOR A CALL LIGHT UNIT**

[76] Inventor: **Harold E. Yarbrough**, 3165 Yard St., Oroville, Calif. 85966

[**] Term: **14 Years**

[21] Appl. No.: **47,880**

[22] Filed: **Dec. 15, 1995**

[52] U.S. Cl. **D10/104**

[58] Field of Search D10/104, 106, D10/116, 121, 114; 340/540, 545, 571, 572, 573, 586

[56] **References Cited**

U.S. PATENT DOCUMENTS

D. 345,713	4/1994	Pecht et al.	D10/106
D. 347,593	6/1994	Davis et al.	D10/104
D. 348,410	7/1994	Adams et al.	D10/104
D. 367,017	2/1996	Dempsey	D10/104

Primary Examiner—Marcus A. Jackson

Attorney, Agent, or Firm—Harold H. Dutton, Jr.; W. Charles L. Jamison; Diane F. Liebman

[57] **CLAIM**

The ornamental design for a combined transmitter and receiver for a call light unit, as shown, and described.

DESCRIPTION

FIG. 1 is a perspective view of the a combined transmitter and receiver for a call light unit showing my new design; FIG. 2 is a exploded view of the transmitter portion thereof; FIG. 3 is a right side view thereof; The left side view is a mirror image thereof; FIG. 4 is a top view thereof; FIG. 5 is a bottom view thereof; FIG. 6 is a rear view of the receiver portion thereof; FIG. 7 is a left side view thereof; The right side is a mirror image thereof; FIG. 8 is a top view thereof; and, The bottom view is a mirror image thereof.

1 Claim, 4 Drawing Sheets

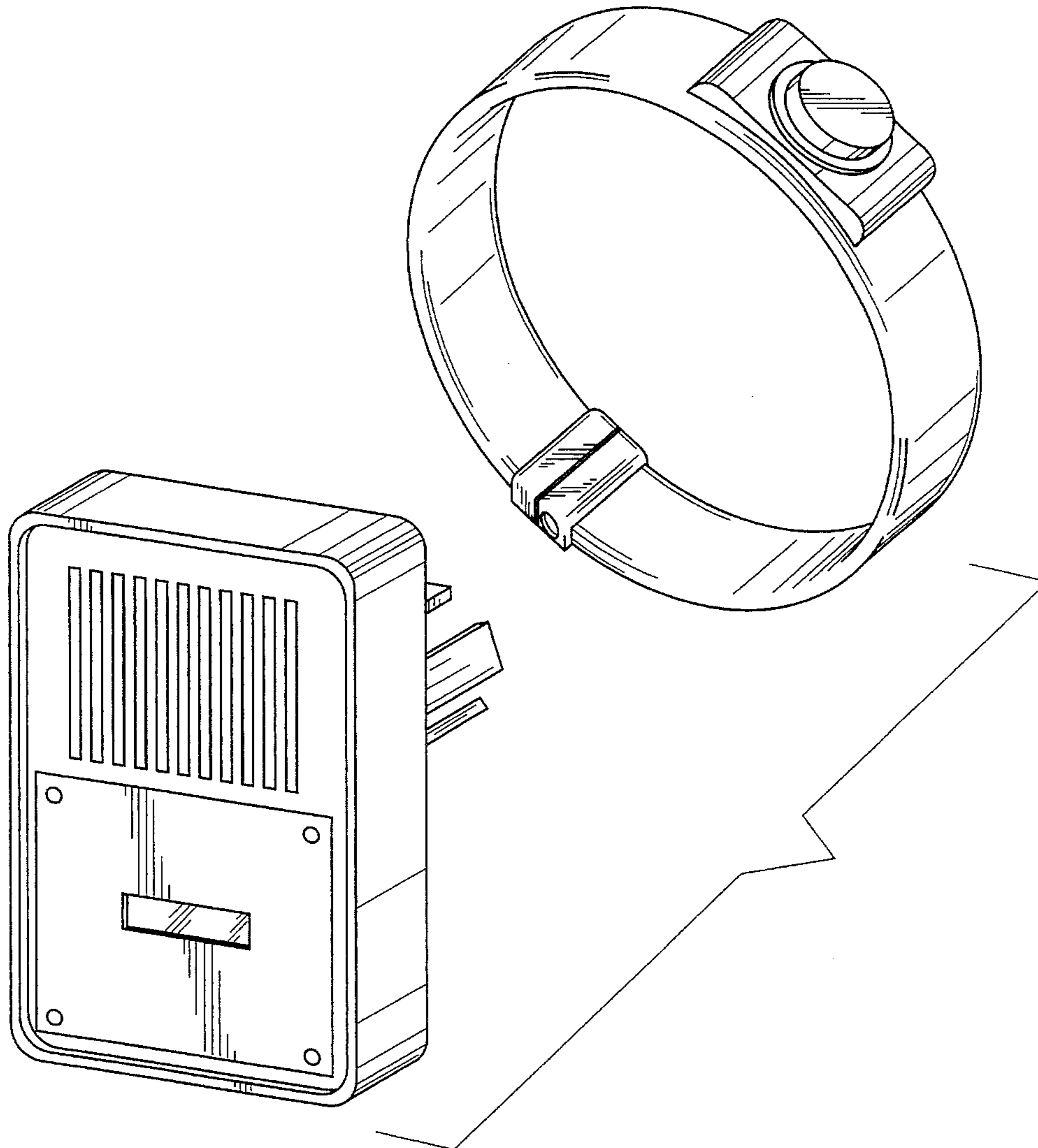
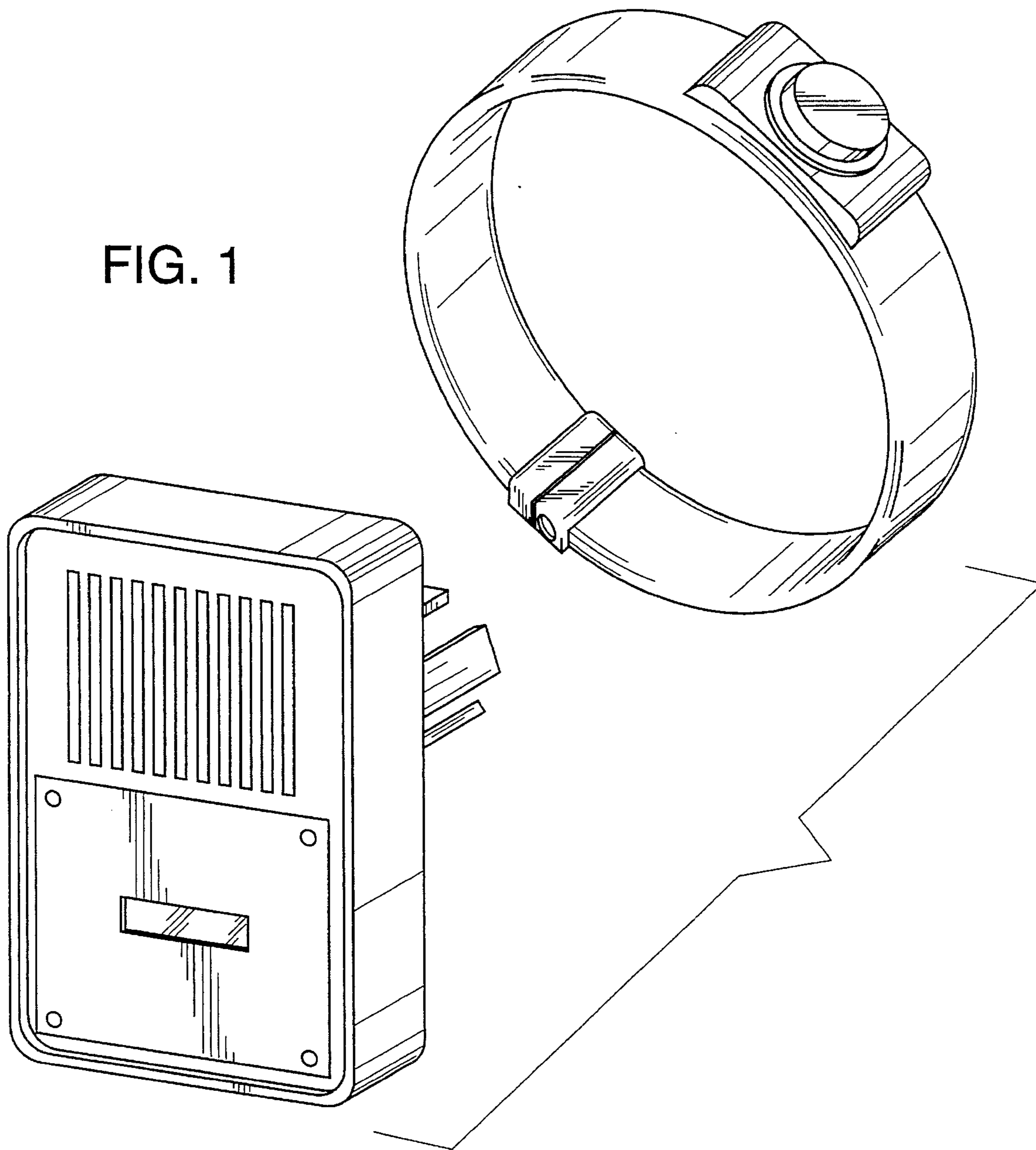


FIG. 1



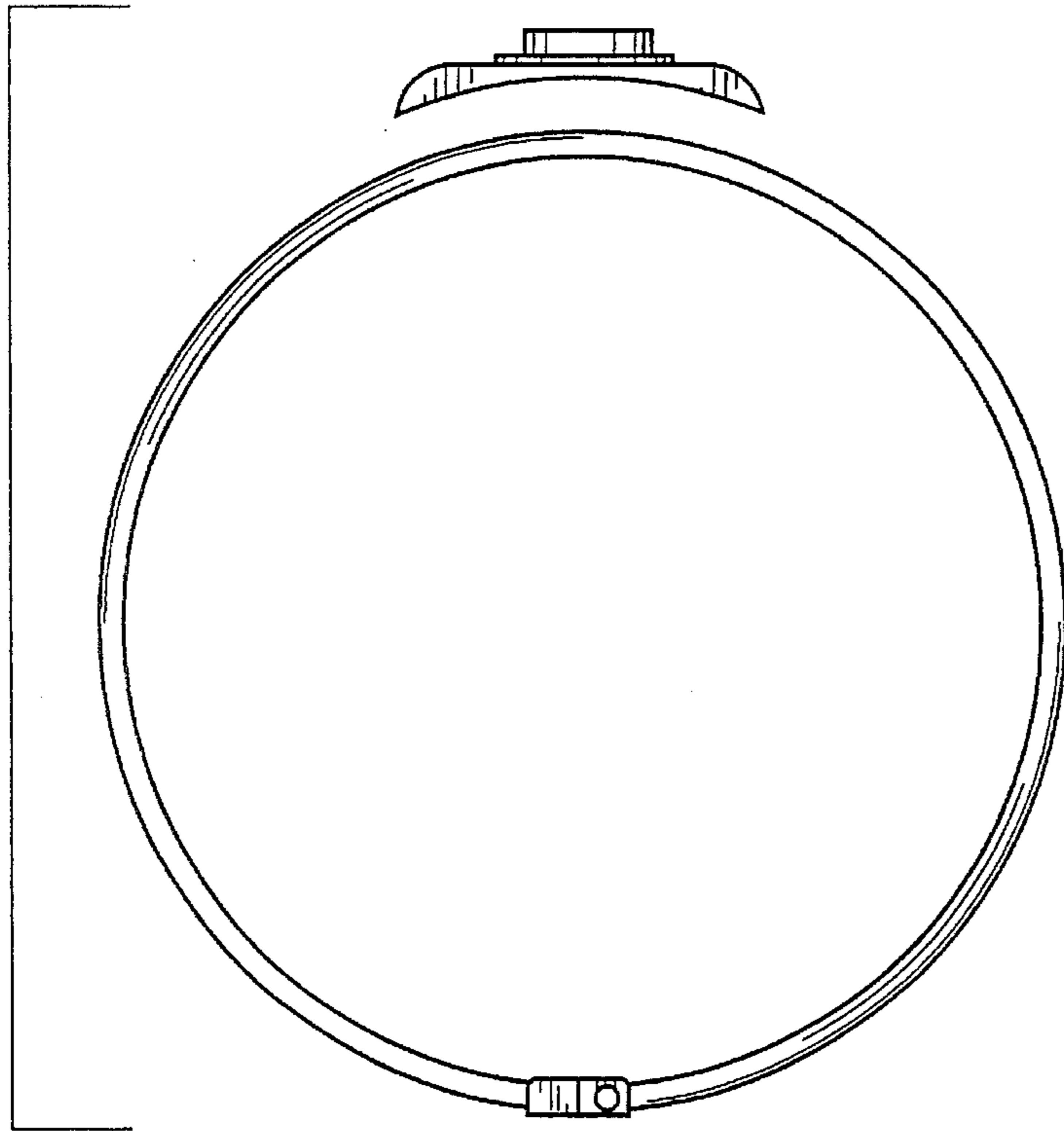


FIG. 2

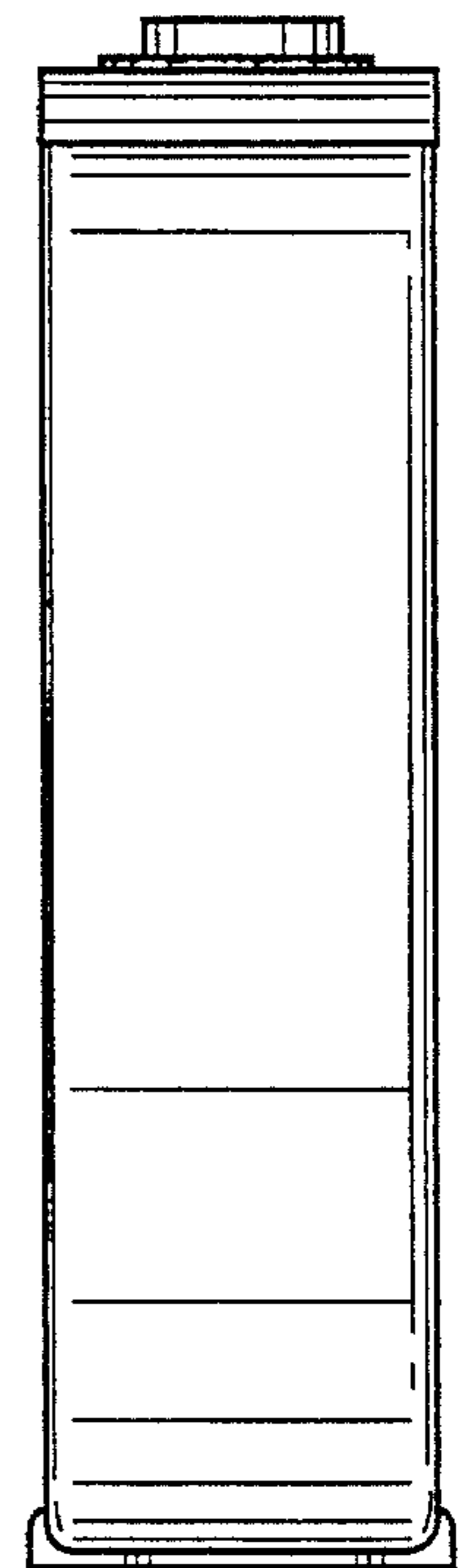


FIG. 3

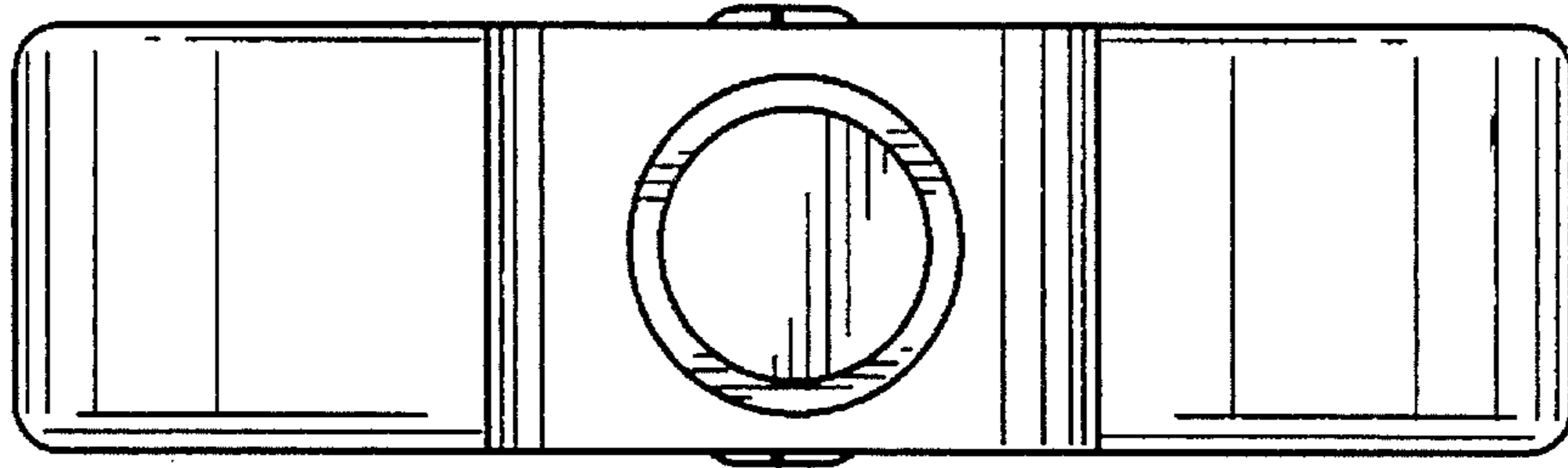


FIG. 4

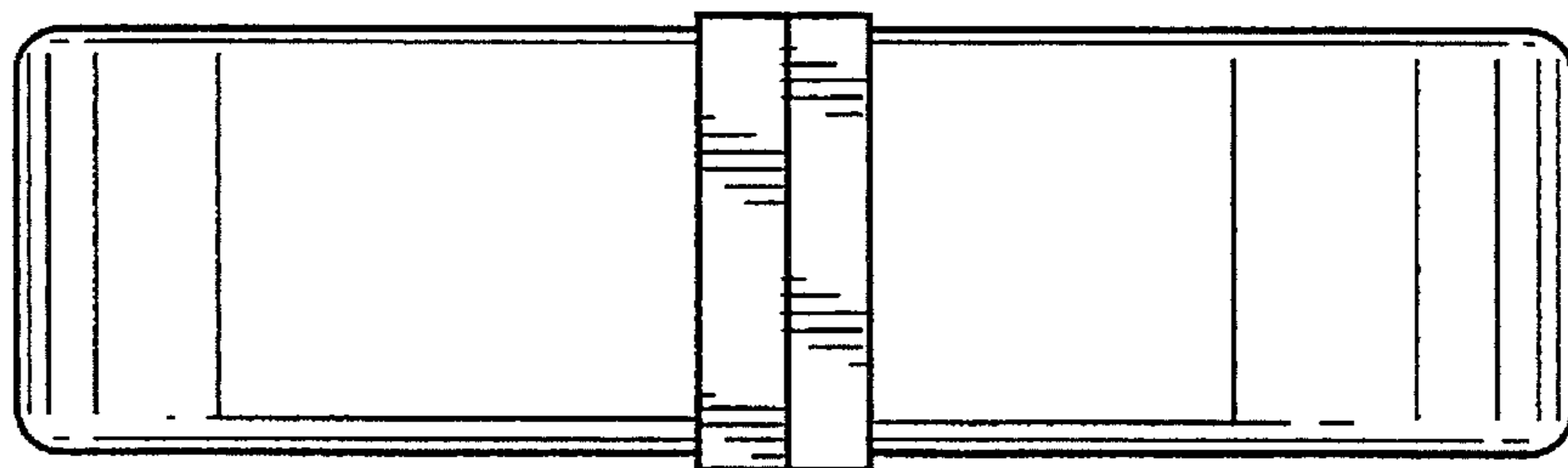


FIG. 5

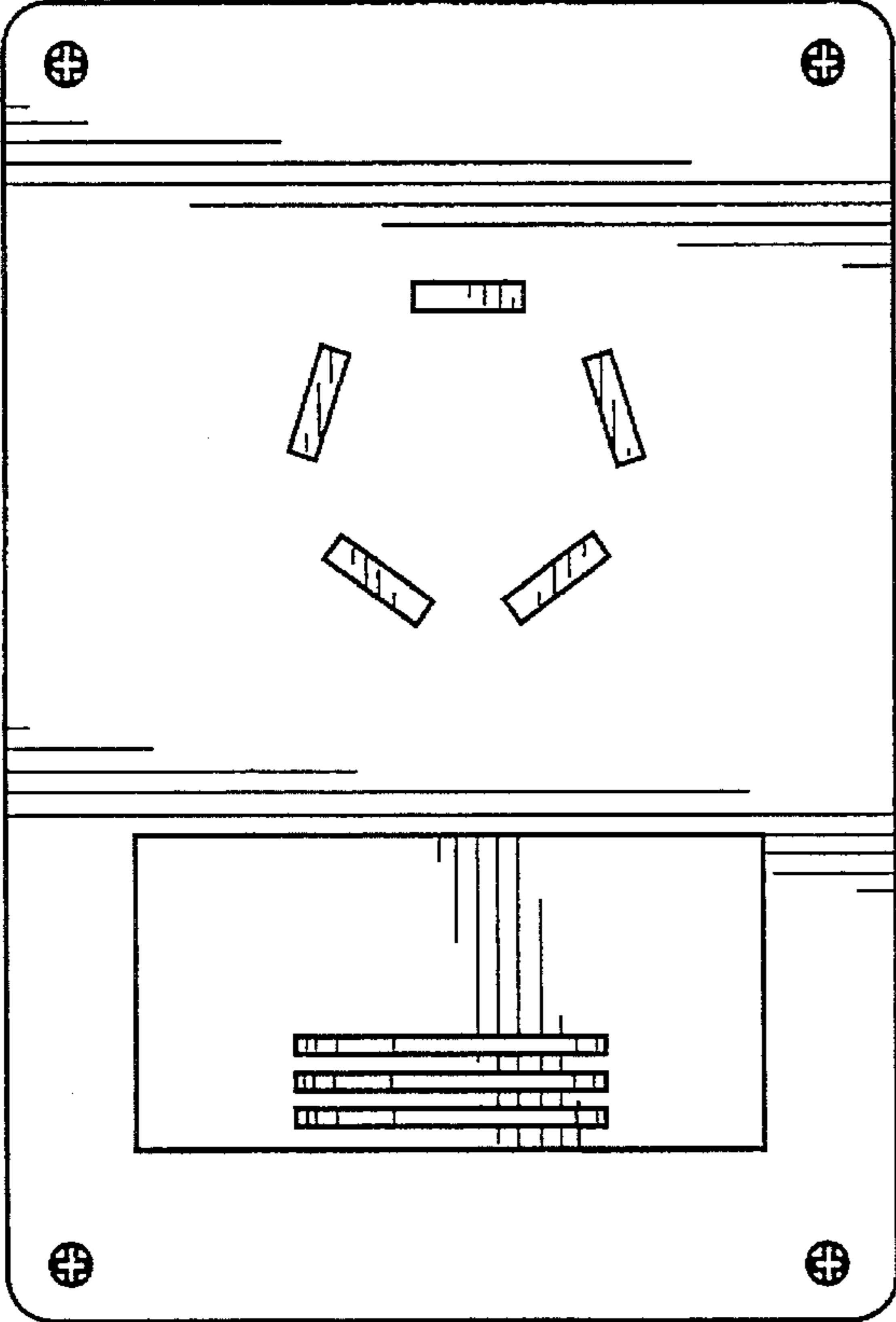


FIG. 6

FIG. 7

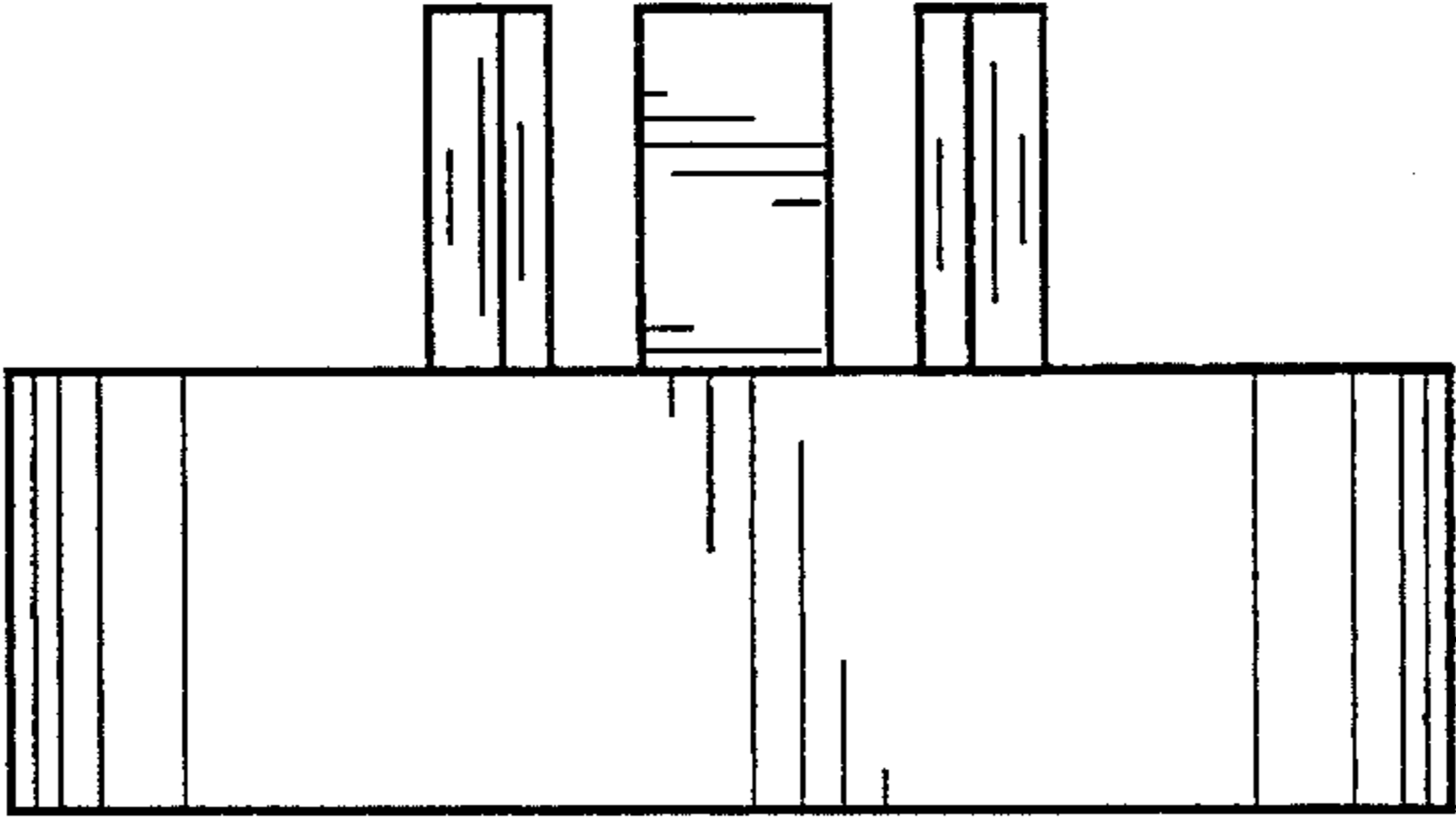
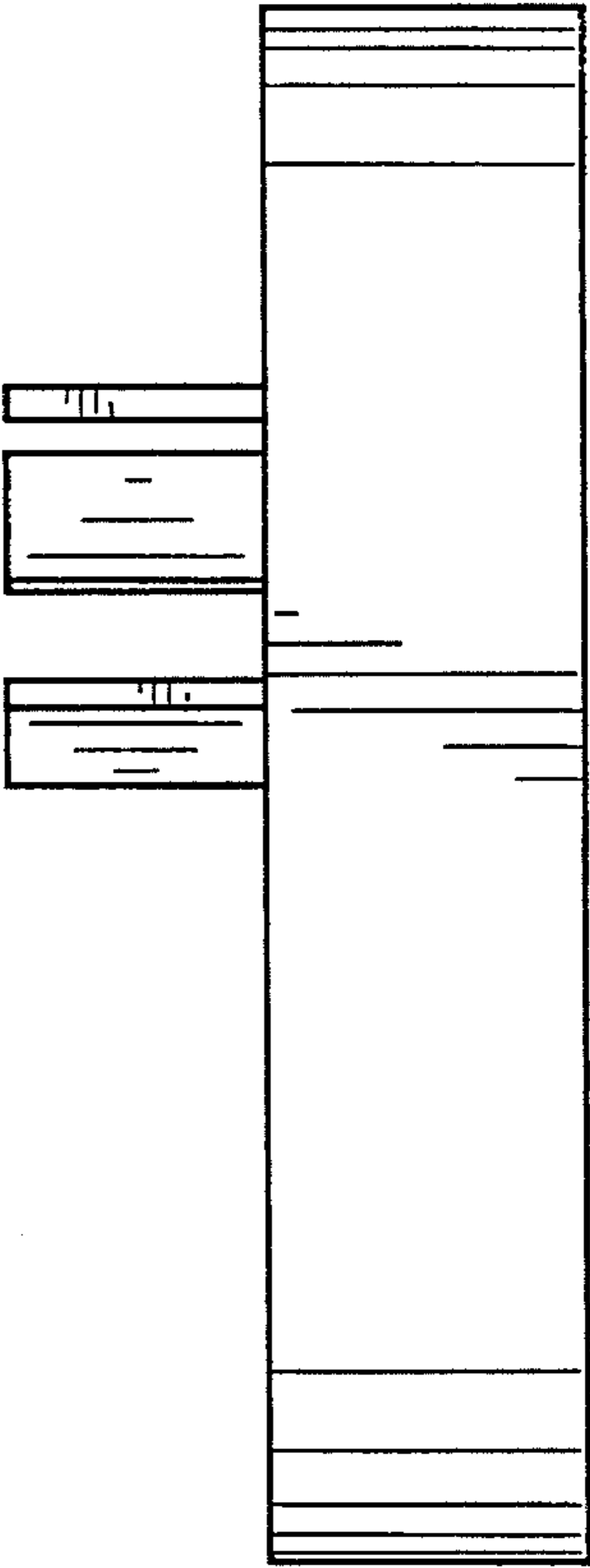


FIG. 8

UNITED STATES PATENT AND TRADEMARK OFFICE
CERTIFICATE OF CORRECTION

PATENT NO. : Des. 377,618
DATED : Jan. 28, 1997
INVENTOR(S) : David E. Yarbrough

It is certified that error appears in the above-identified patent and that said Letters Patent is hereby corrected as shown below: Title page, item [76]

Change the inventor's name to: -- David E. Yarbrough --

Signed and Sealed this
Sixteenth Day of December, 1997



Attest:

BRUCE LEHMAN

Attesting Officer

Commissioner of Patents and Trademarks