



US00D377615S

United States Patent [19] Weterrings

[11] Patent Number: **Des. 377,615**

[45] Date of Patent: ****Jan. 28, 1997**

[54] **ADJUSTABLE MEASURING CONTAINER**

[75] Inventor: **Frans M. Weterrings**, Tuscumbia, Ala.

[73] Assignee: **Robbins Industries, Inc.**, Florence, Ala.

[**] Term: **14 Years**

[21] Appl. No.: **48,901**

[22] Filed: **Jan. 16, 1996**

[52] U.S. Cl. **D10/46.3**

[58] Field of Search **D10/46.2, 46.3;
D7/691, 692; 73/426-429**

[56] **References Cited**

U.S. PATENT DOCUMENTS

D. 179,956	3/1957	Setecka	D10/46.3
D. 328,867	8/1992	Watt et al.	.	
D. 344,686	3/1994	Weterings	.	
1,324,264	12/1919	Parent	.	
2,165,642	7/1939	Mayer	.	
2,697,353	12/1954	Setecka	.	
2,854,849	10/1958	Setecka	.	
3,013,436	12/1961	Daily	.	
3,798,975	3/1974	Horst	.	
5,182,948	2/1993	Robbins et al.	.	
5,325,717	7/1994	Robbins et al.	.	

5,448,913 9/1995 Robbins et al. .
5,460,042 10/1995 Tucker .

Primary Examiner—Terry A. Wallace
Attorney, Agent, or Firm—Curtis, Morris & Safford, P.C.;
Gregor N. Neff, Esq.

[57] **CLAIM**

The ornamental design for an adjustable measuring container, as shown and described.

DESCRIPTION

FIG. 1 is a top, rear and right side perspective view of the adjustable measuring container with the sliding dam in an intermediate position showing my new design; FIG. 2 is a left side elevational view thereof; FIG. 3 is a top plan view thereof; FIG. 4 is a front elevational view thereof; FIG. 5 is a rear elevational view thereof; FIG. 6 is a bottom plan view thereof; FIG. 7 is a bottom, rear and right side perspective view of the slider element shown separately for clarity of illustration; FIG. 8 is a front elevational view of the slider shown in FIG. 7; and, FIG. 9 is a bottom plan view of the slider shown in FIG. 7.

1 Claim, 4 Drawing Sheets

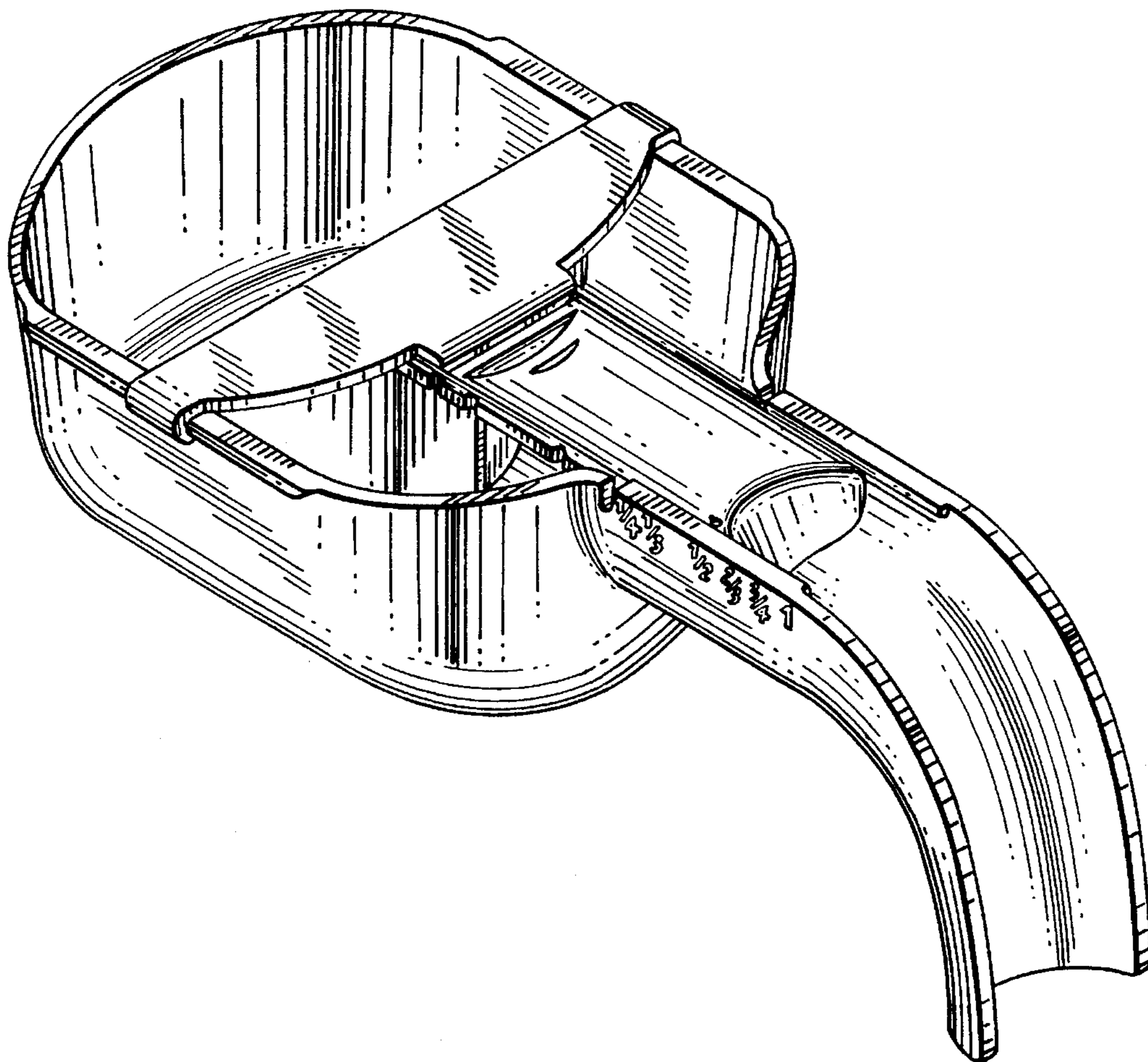
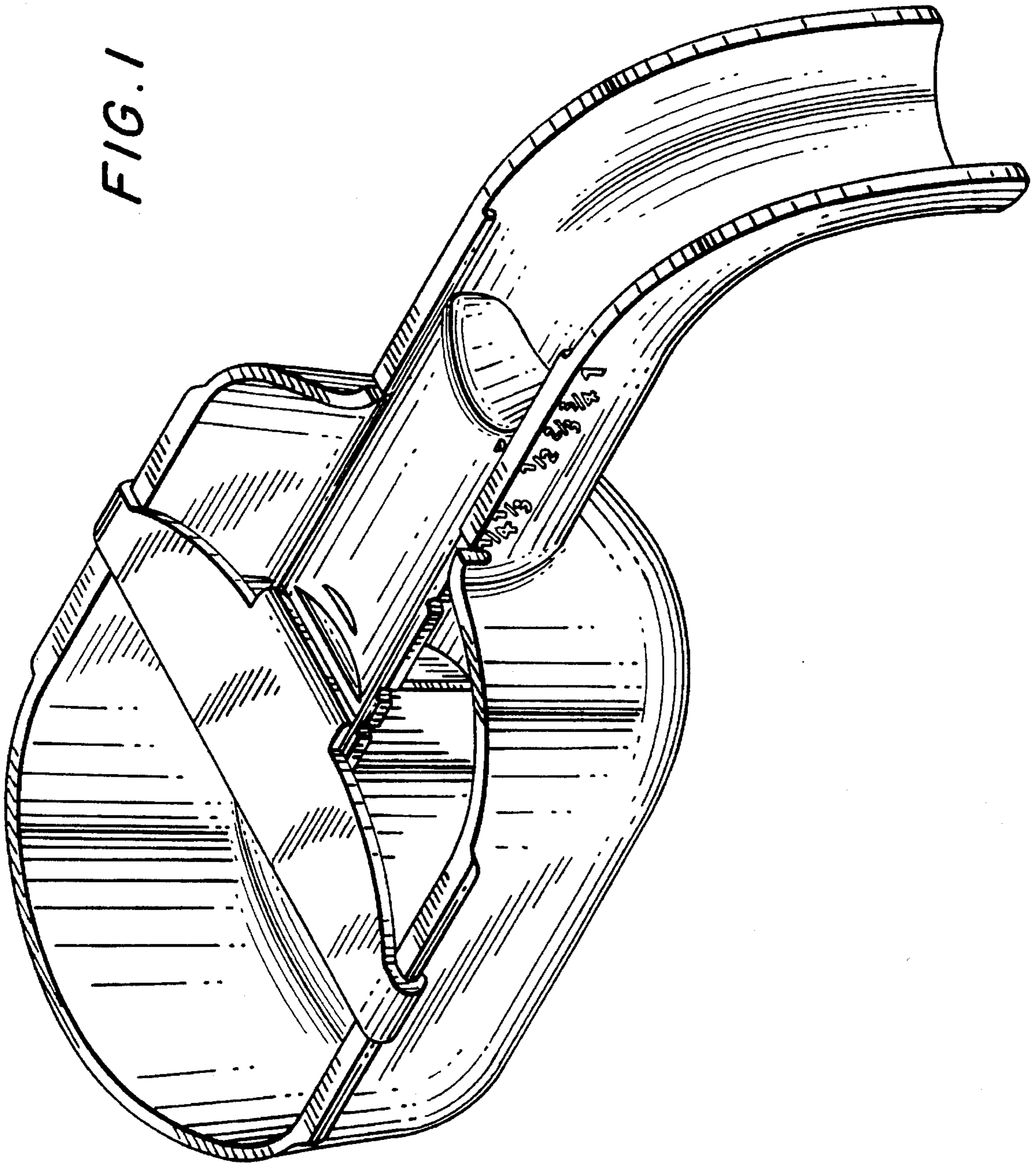


FIG. 1



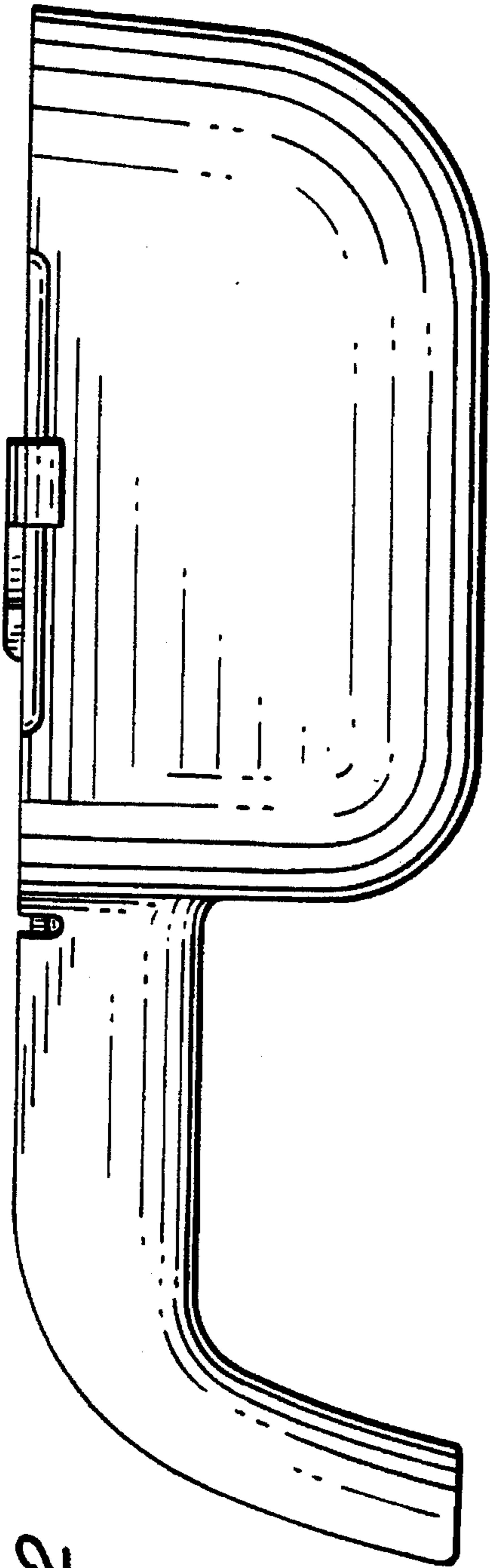


FIG. 2

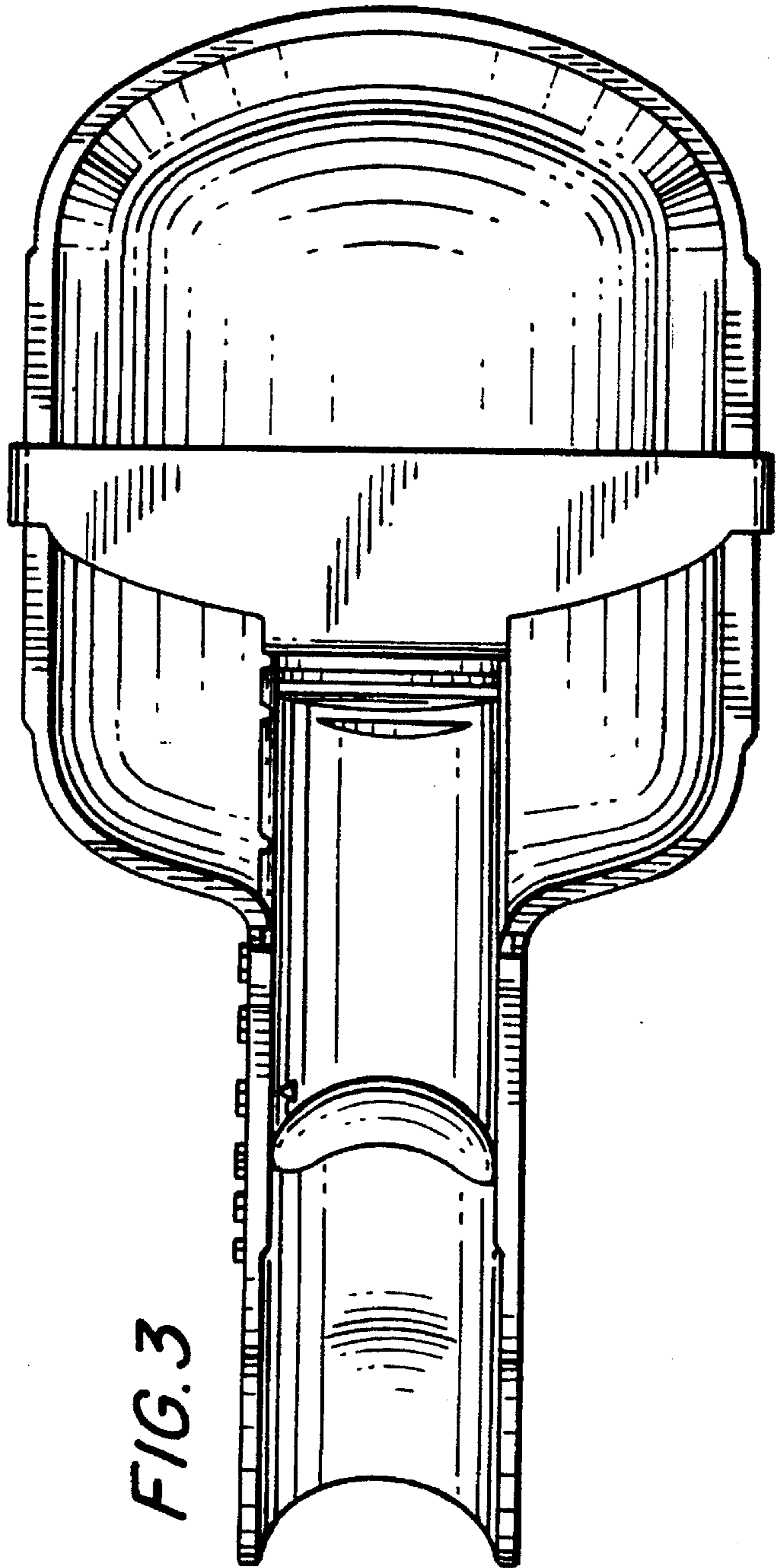


FIG. 3

FIG. 5

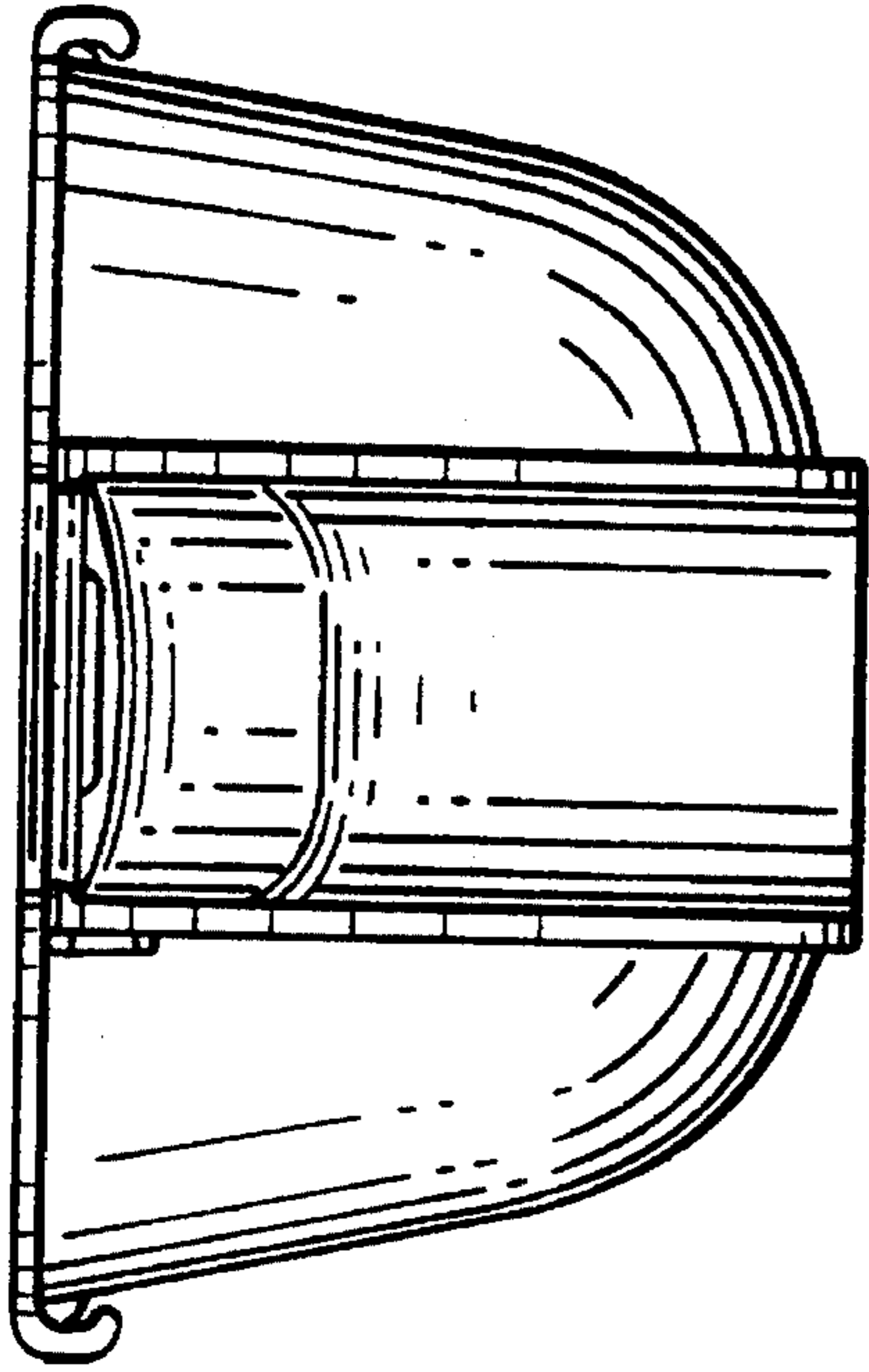


FIG. 4

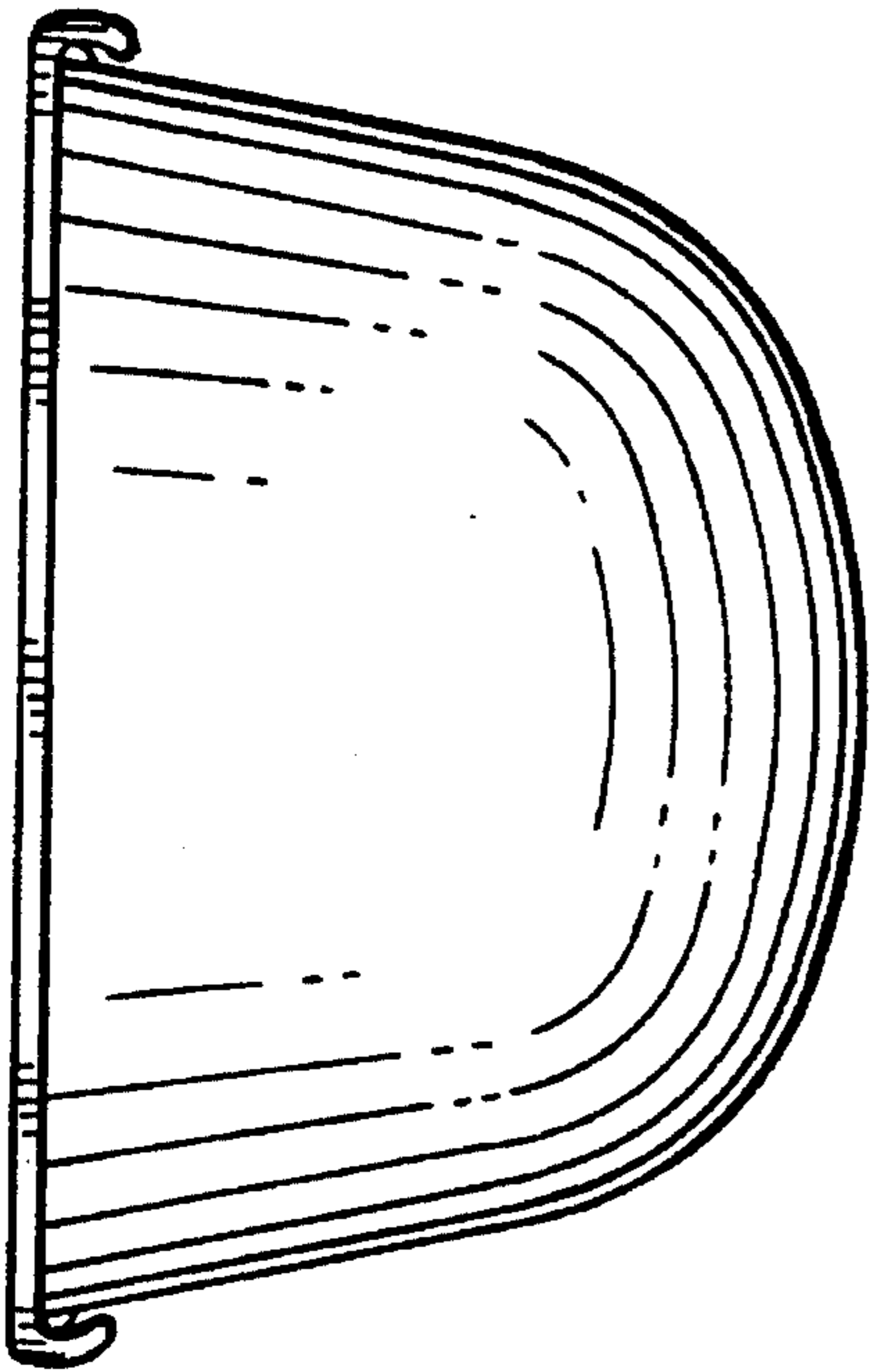


FIG. 6

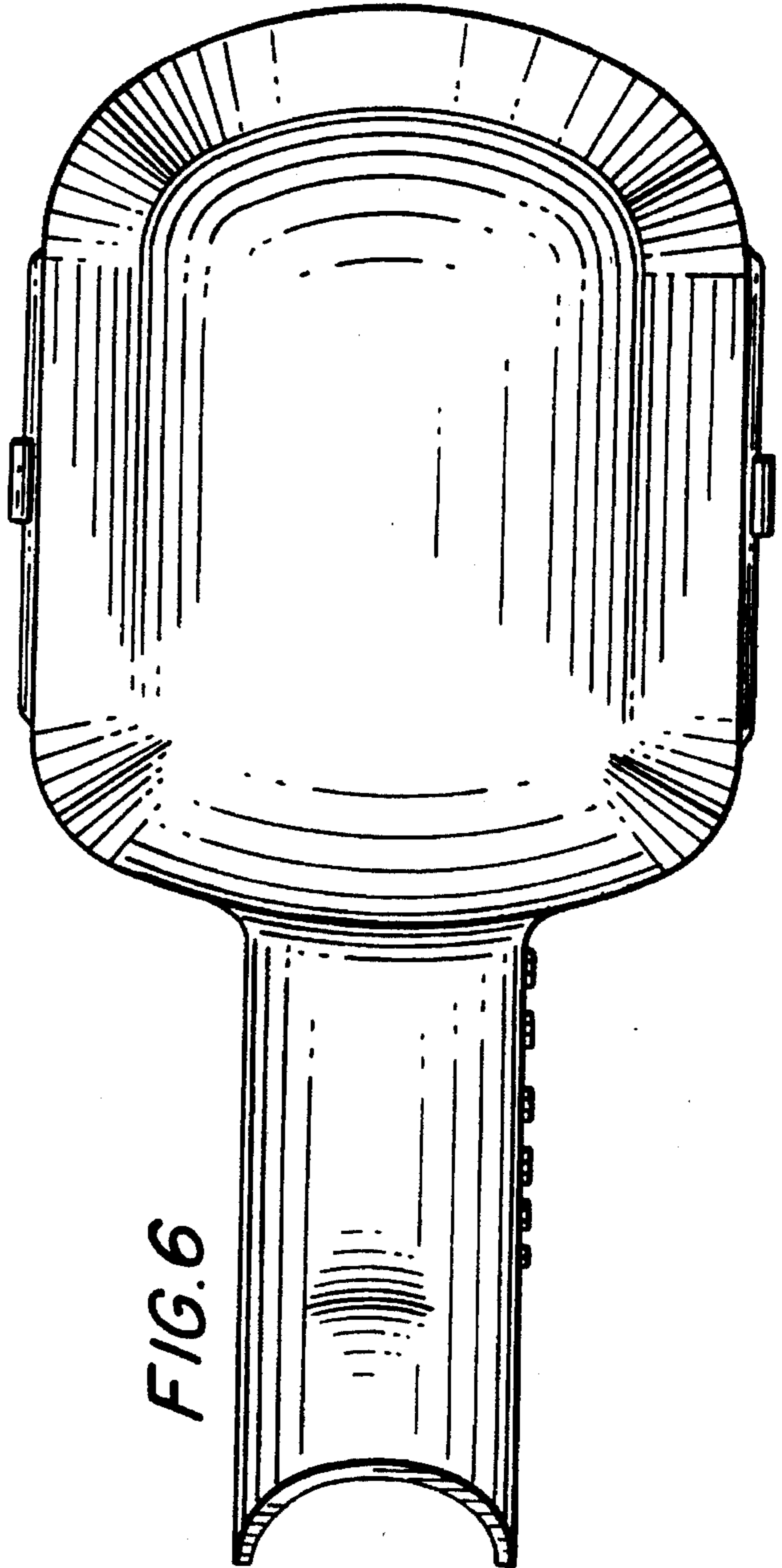


FIG. 7

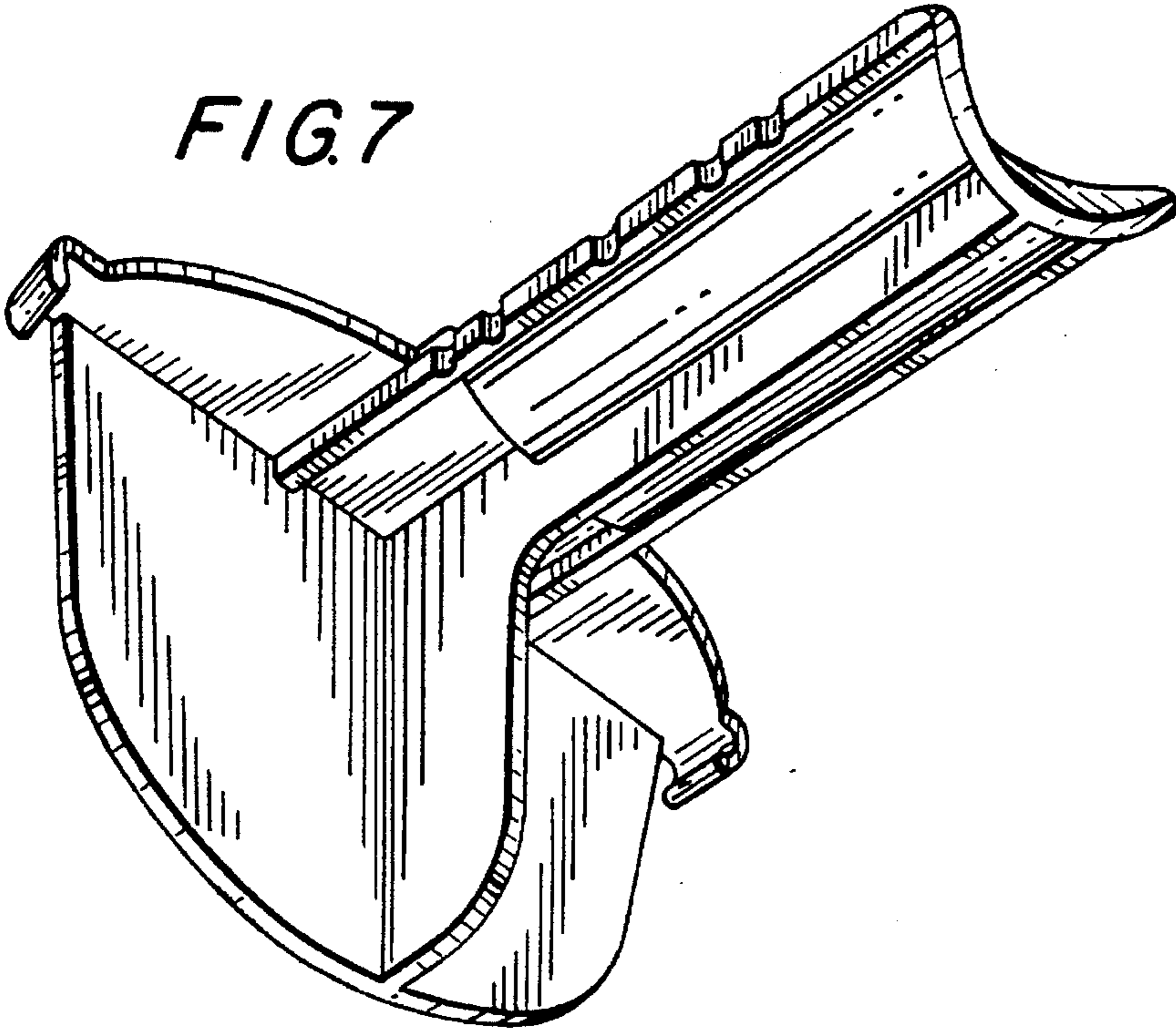


FIG. 8

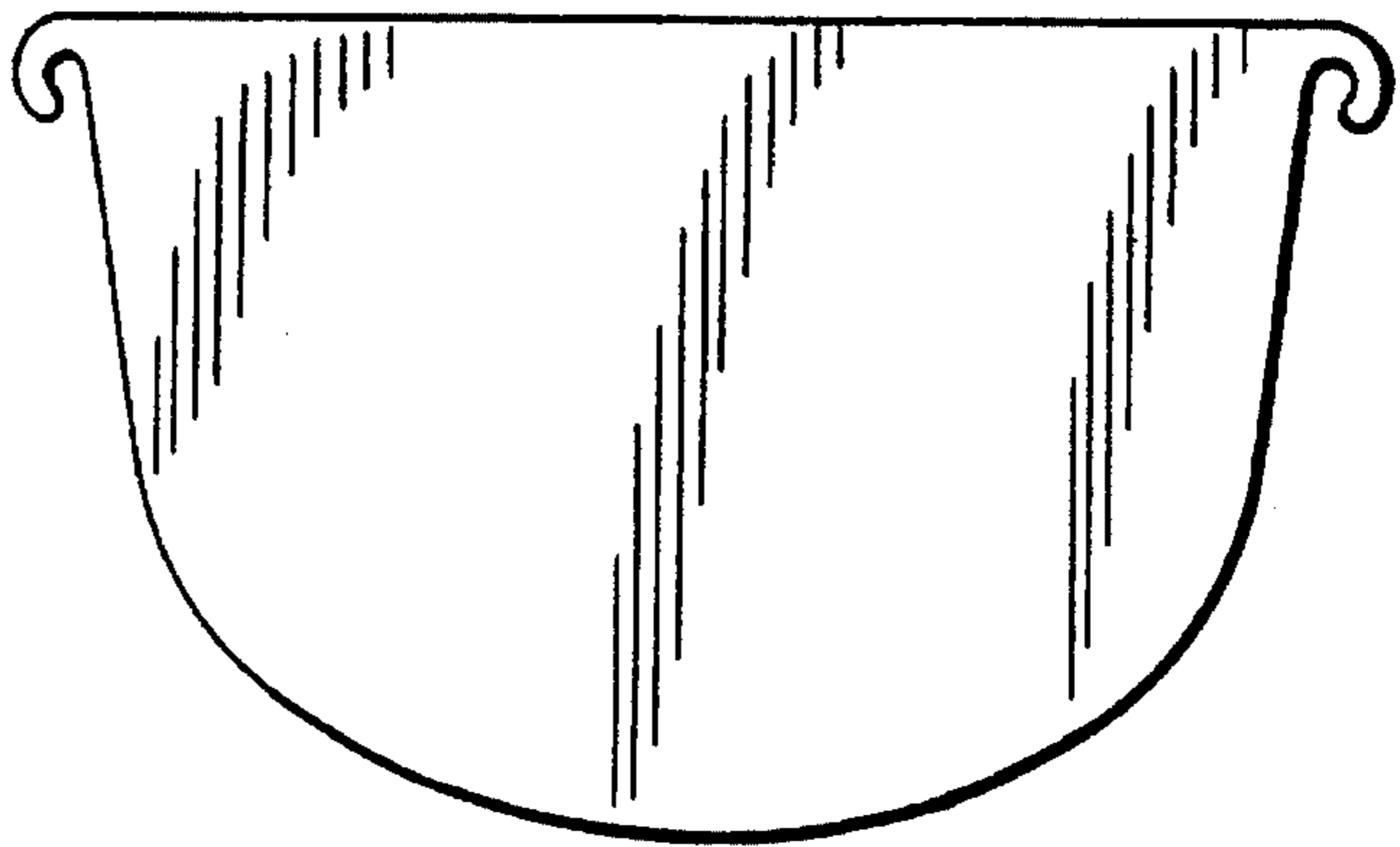


FIG. 9

