



US00D377612S

United States Patent [19]

Lee

[11] Patent Number: **Des. 377,612**

[45] Date of Patent: ****Jan. 28, 1997**

[54] **WATCH WITH COMPASS AND ALTIMETER**

[76] Inventor: **Robert M. Lee**, 970 Icehouse, Reno, Nev. 89431

[**] Term: **14 Years**

[21] Appl. No.: **45,089**

[22] Filed: **Oct. 10, 1995**

[52] U.S. Cl. **D10/31; D10/2**

[58] Field of Search **D10/1-40, 68, D10/17, 122-132; 368/280-282, 276-277, 285**

[56] **References Cited**

U.S. PATENT DOCUMENTS

- D. 288,668 3/1987 Flury D10/31
- D. 302,124 7/1989 Bevins D10/31 X
- D. 334,890 4/1993 Meyer D10/31 X

- D. 339,299 9/1993 Kawashima D10/2 X
- D. 361,279 8/1995 Burgener D10/31

Primary Examiner—Nelson C. Holtje
Attorney, Agent, or Firm—Townsend and Townsend and Crew LLP

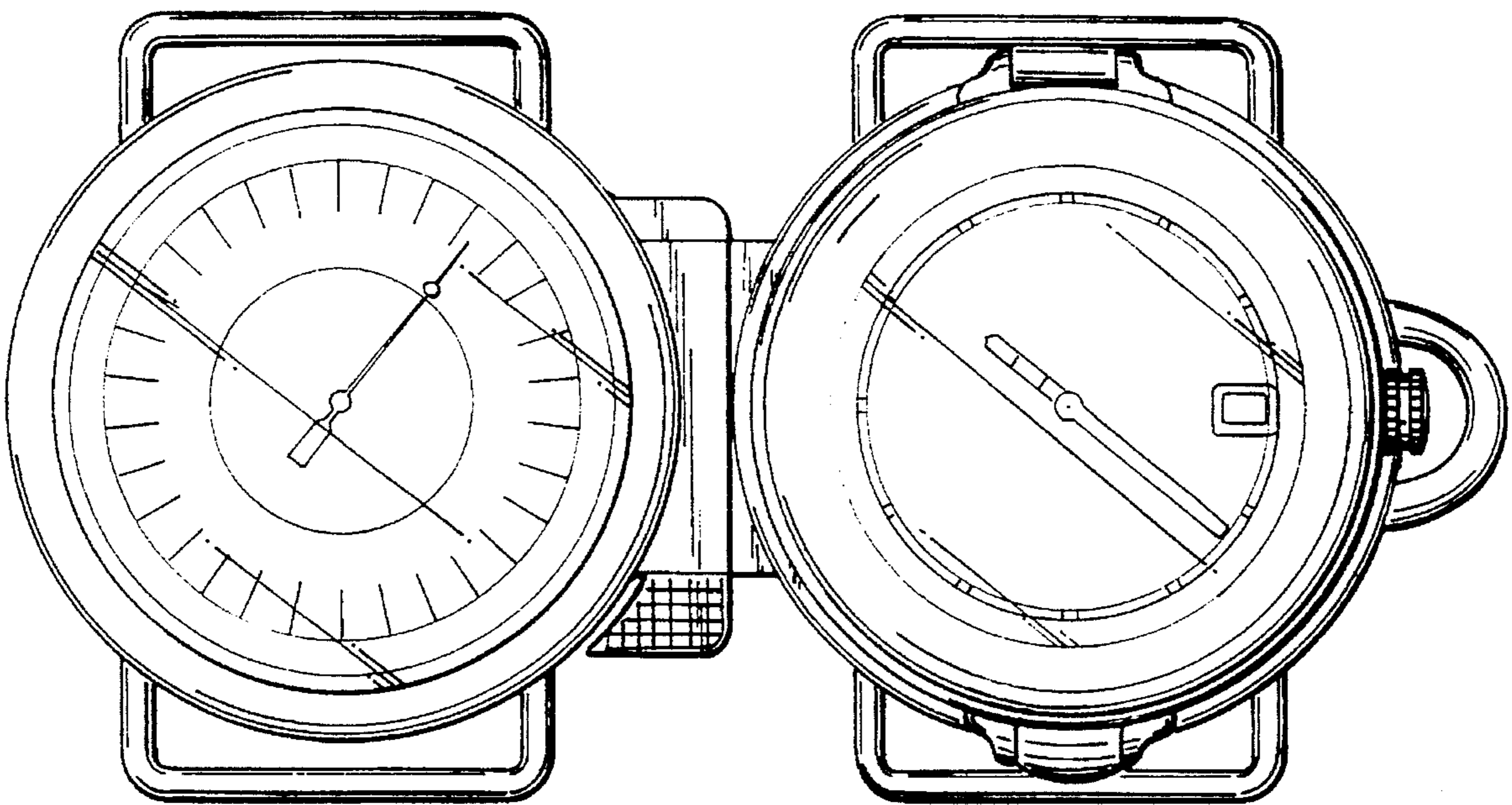
[57] **CLAIM**

The ornamental design for a watch with compass and altimeter, as shown and described.

DESCRIPTION

FIG. 1 is a plan view of a watch with compass and altimeter showing my new design;
 FIG. 2 is a right side elevational view thereof;
 FIG. 3 is a front elevational view thereof;
 FIG. 4 is a rear elevational view thereof;
 FIG. 5 is a left side elevational view thereof; and,
 FIG. 6 is a bottom plan view thereof.

1 Claim, 2 Drawing Sheets



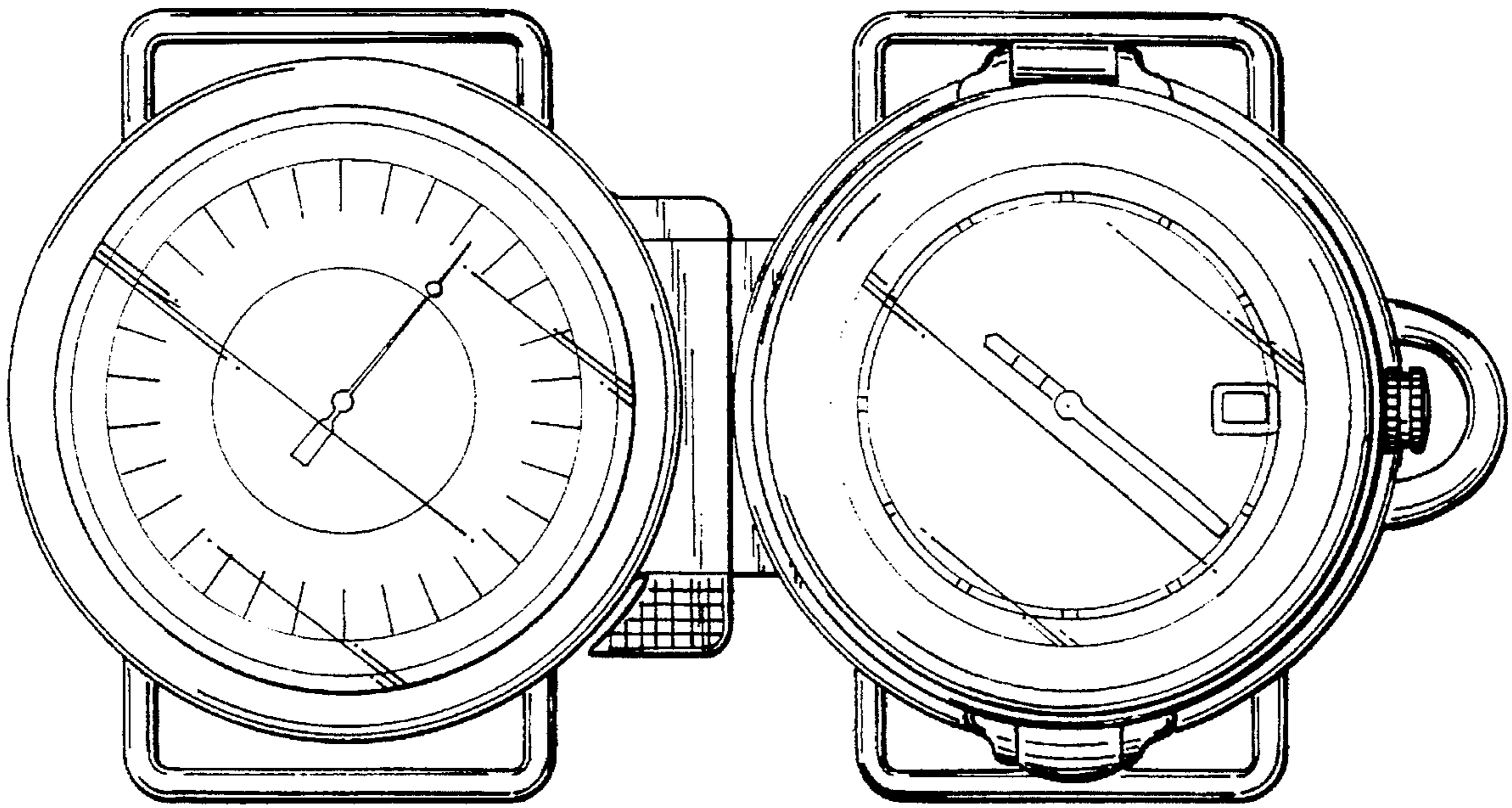


FIG. 1.

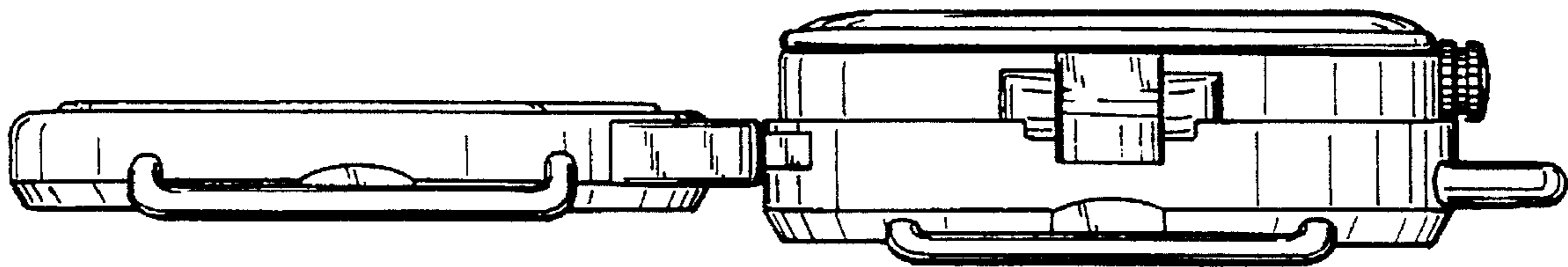


FIG. 2.

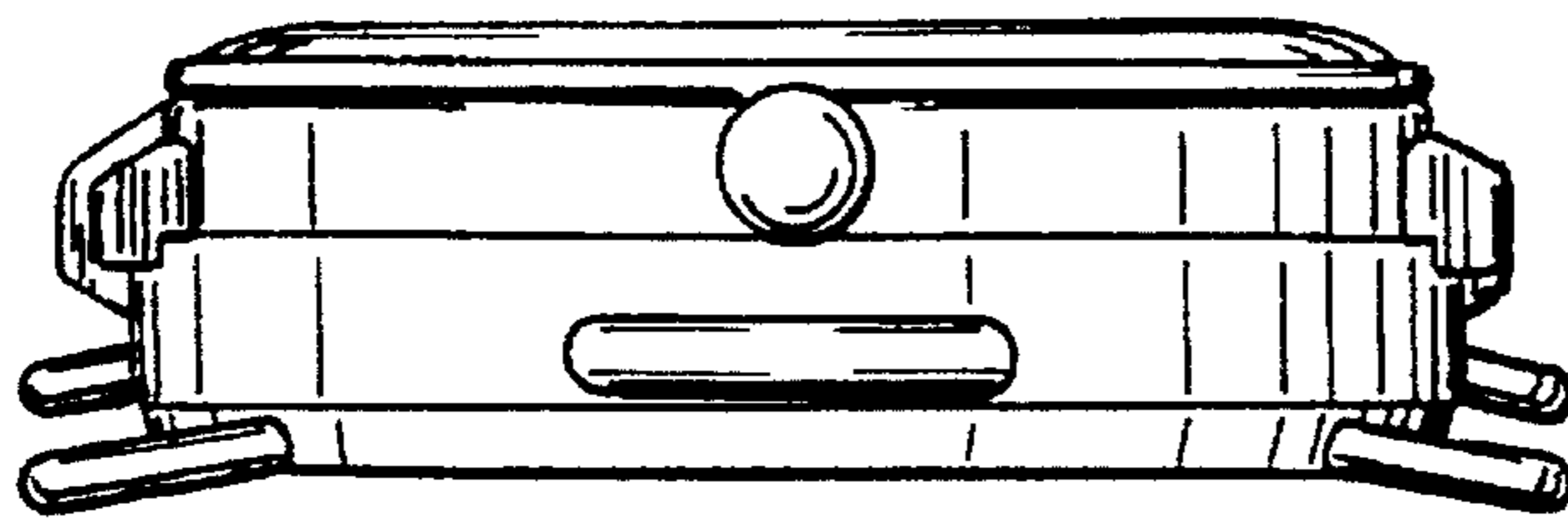


FIG. 3.

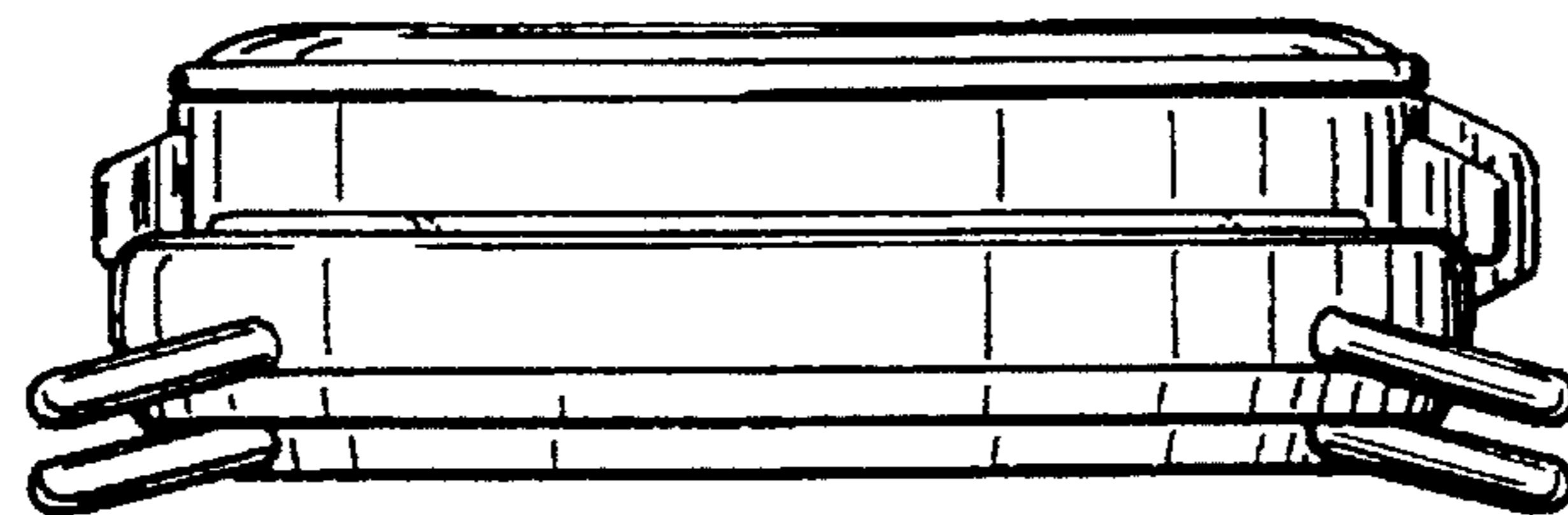


FIG. 4.

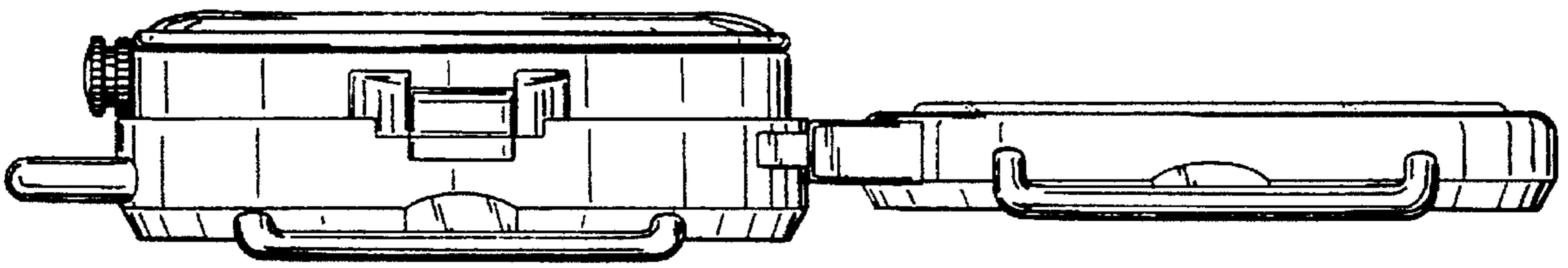


FIG. 5.

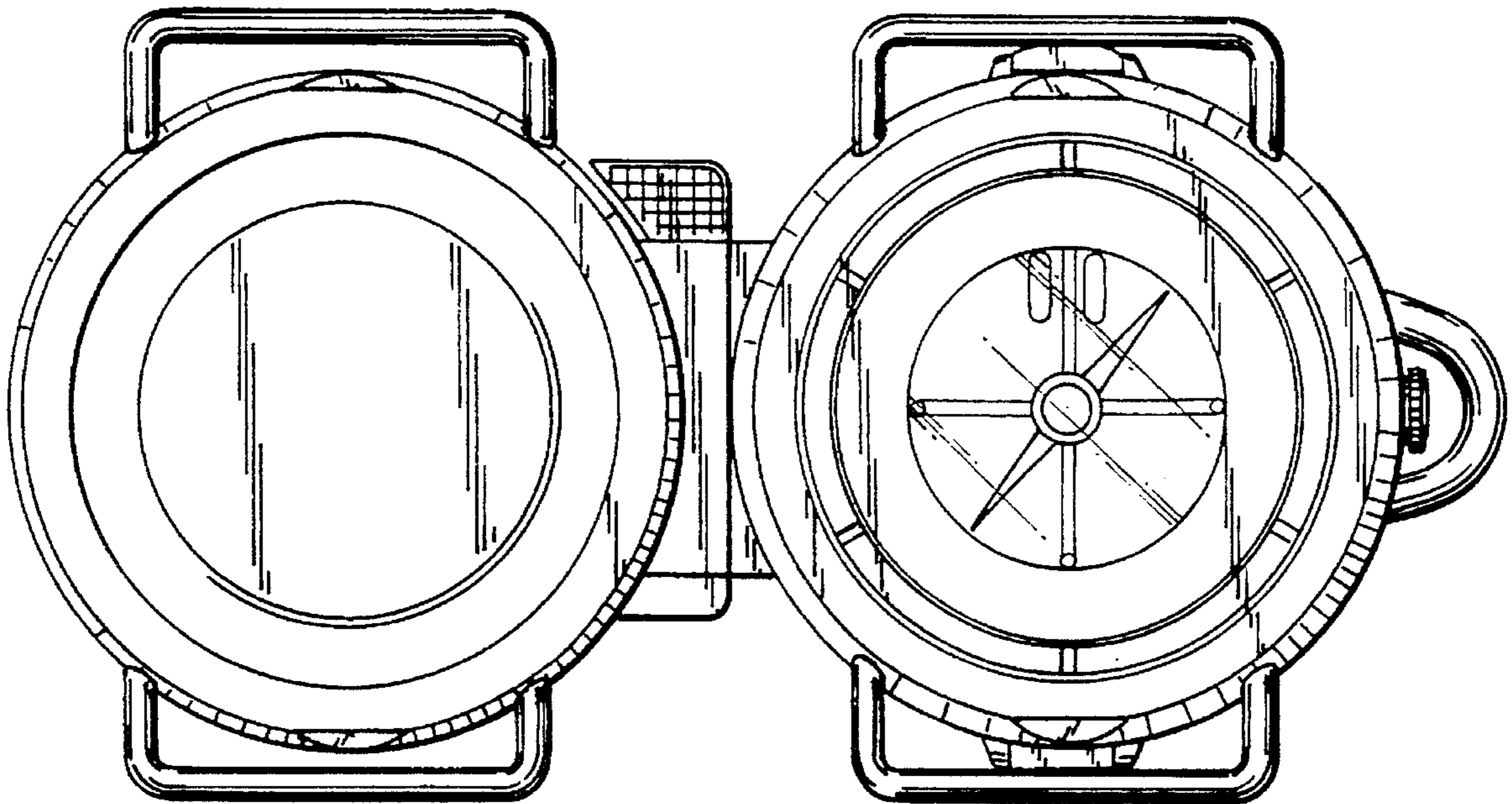


FIG. 6.