



US00D377611S

United States Patent [19]

[11] Patent Number: **Des. 377,611**

Miklas

[45] Date of Patent: ****Jan. 28, 1997**

[54] **DISTANCE MEASURING DEVICE FOR GOLFERS**

Primary Examiner—Antoine Duval Davis
Attorney, Agent, or Firm—Harold H. Dutton, Jr.; W. Charles L. Jamison; Diane S. Liebman

[76] Inventor: **Stephen R. Miklas**, 43 Stratford Rd.,
Wheeling, W. Va. 26003

[57] **CLAIM**

[**] Term: **14 Years**

The ornamental design for a distance measuring device for golfers, as shown.

[21] Appl. No.: **44,571**

DESCRIPTION

[22] Filed: **Sep. 26, 1995**

[52] U.S. Cl. **D10/70; D10/72**

[58] Field of Search **D10/70, 72; 33/755,
33/756, 769; 273/183.1, 184 B**

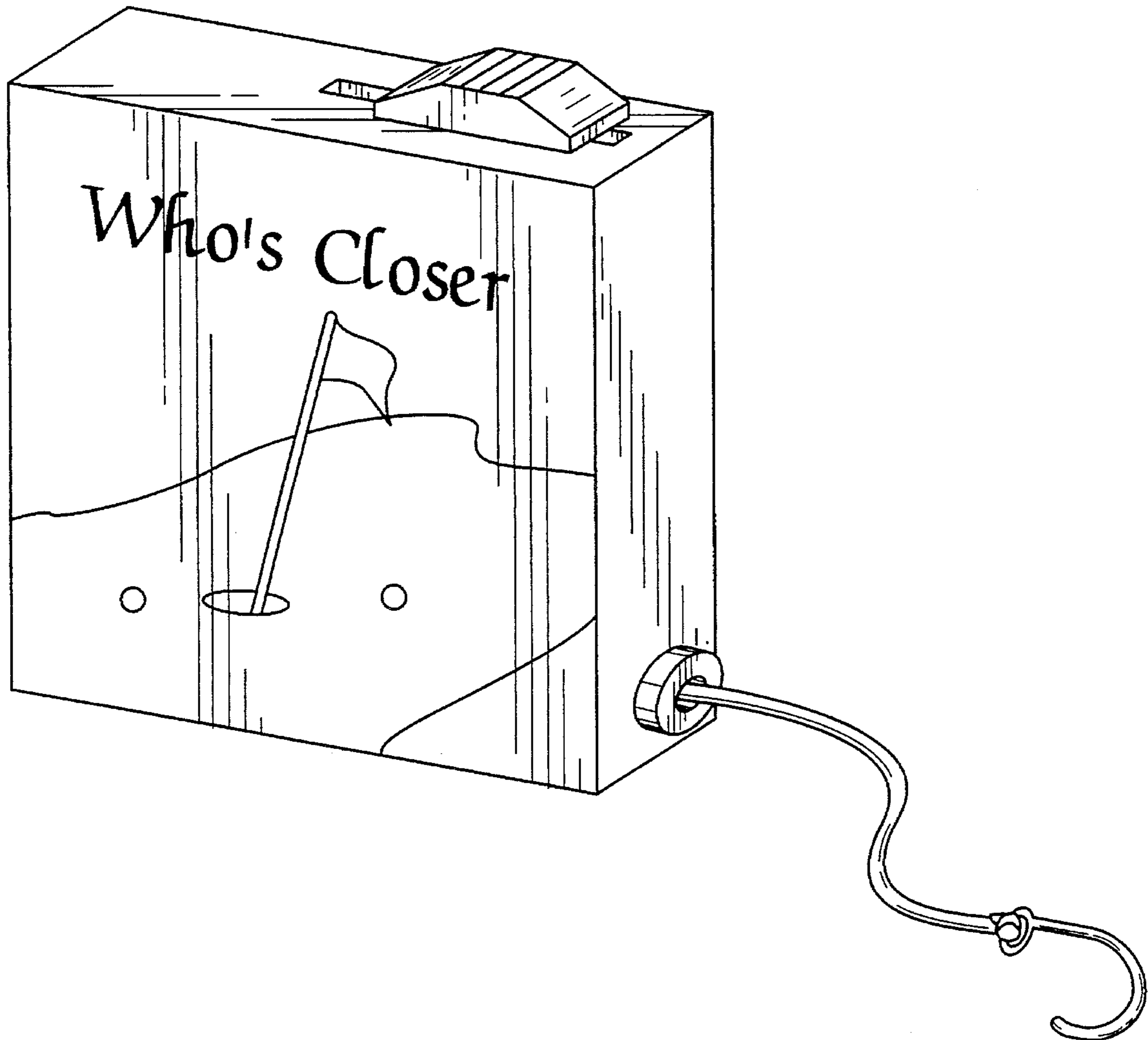
FIG. 1 is a front perspective view of a distance measuring device for golfers showing my new design;
FIG. 2 is a rear view thereof;
FIG. 3 is a top view thereof;
FIG. 4 is a bottom view thereof;
FIG. 5 is a right side view thereof; and,
FIG. 6 is a left side view thereof.

[56] **References Cited**

U.S. PATENT DOCUMENTS

3,234,794 2/1966 Owen D10/70 X

1 Claim, 3 Drawing Sheets



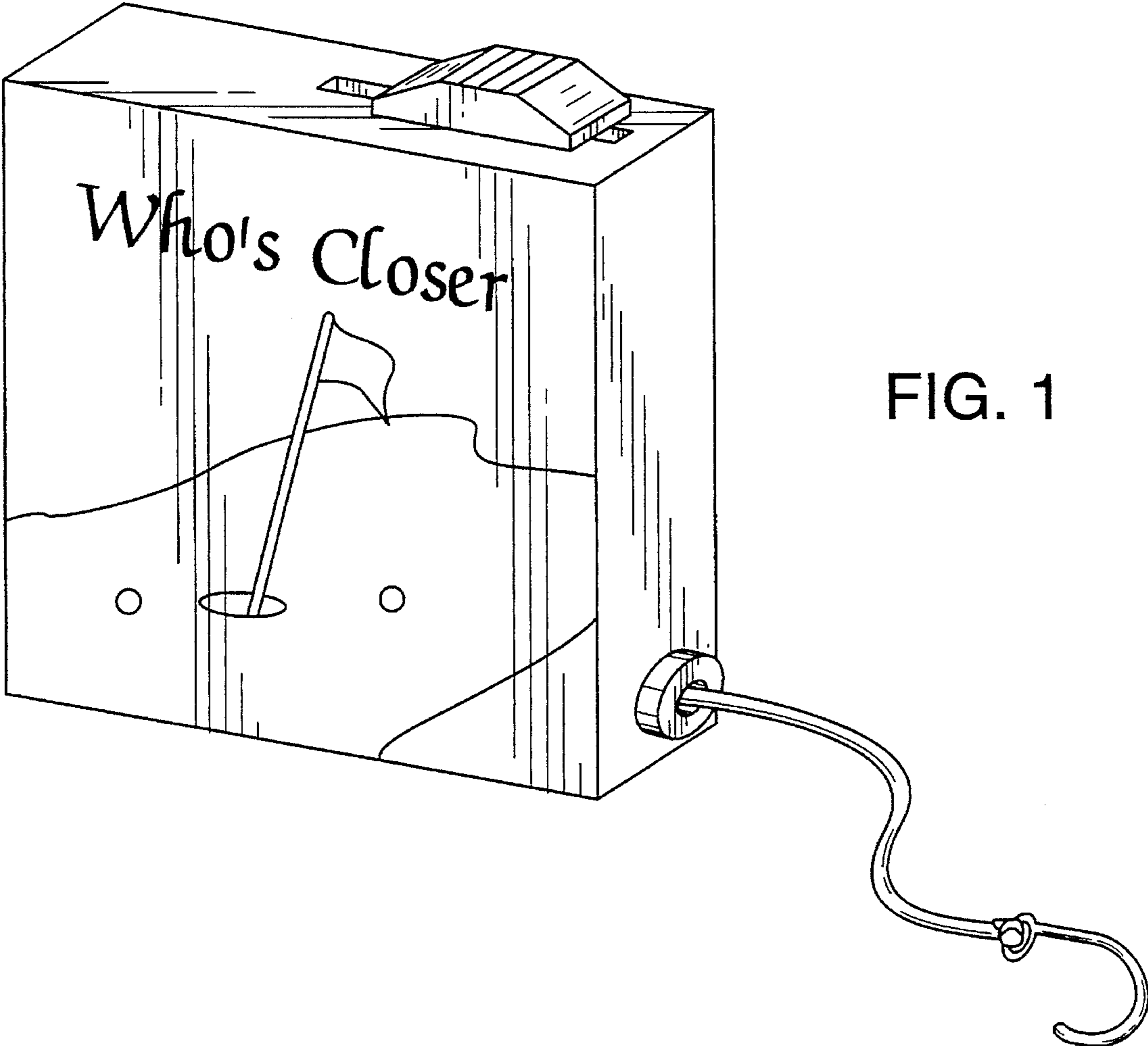
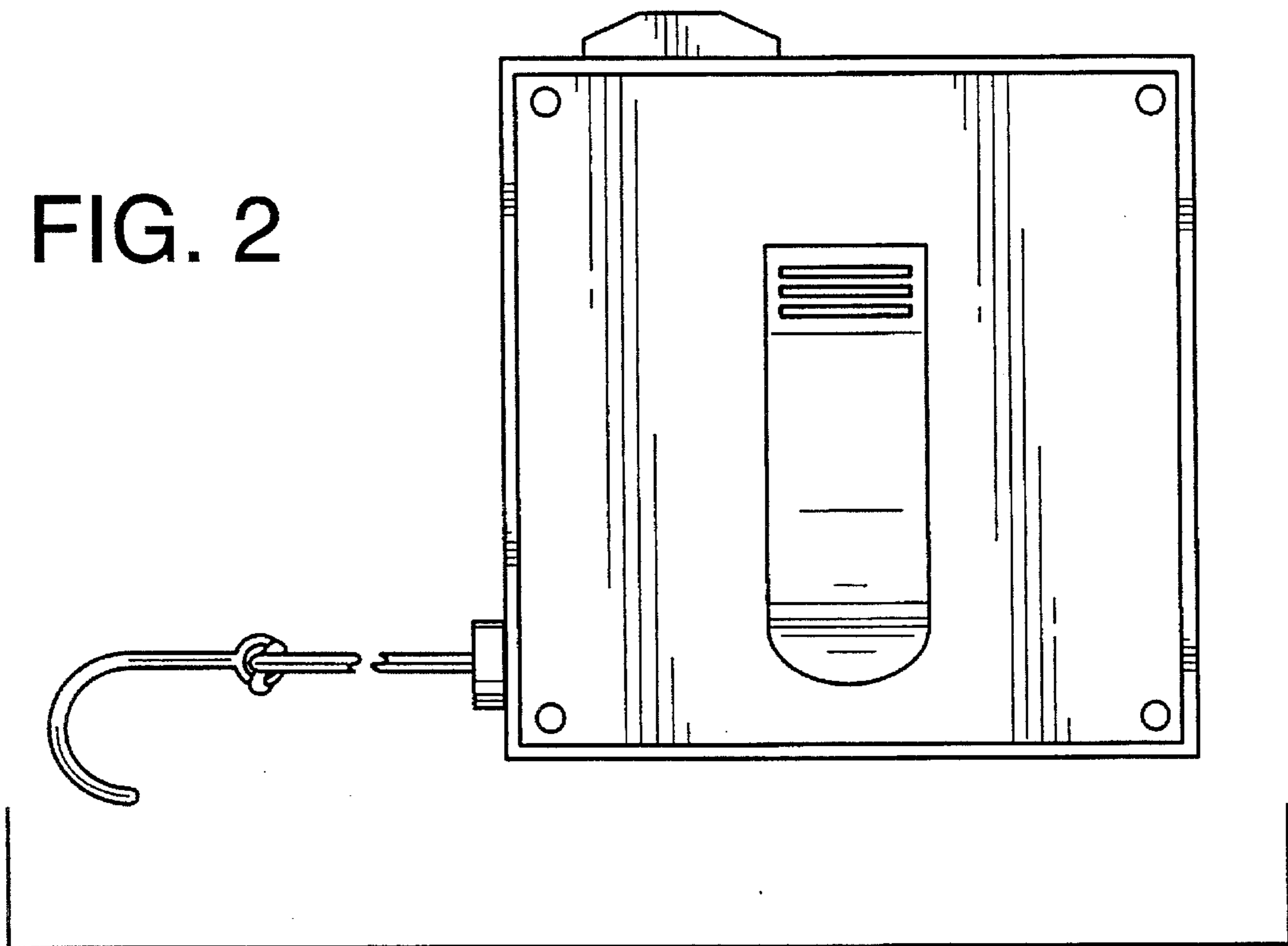


FIG. 1

FIG. 2



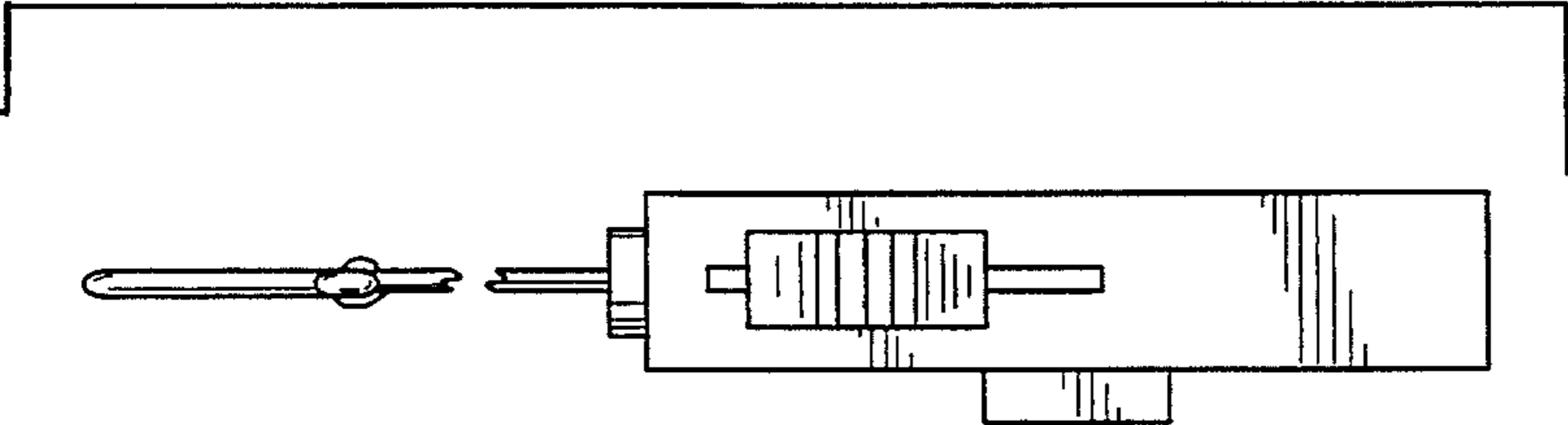


FIG. 3

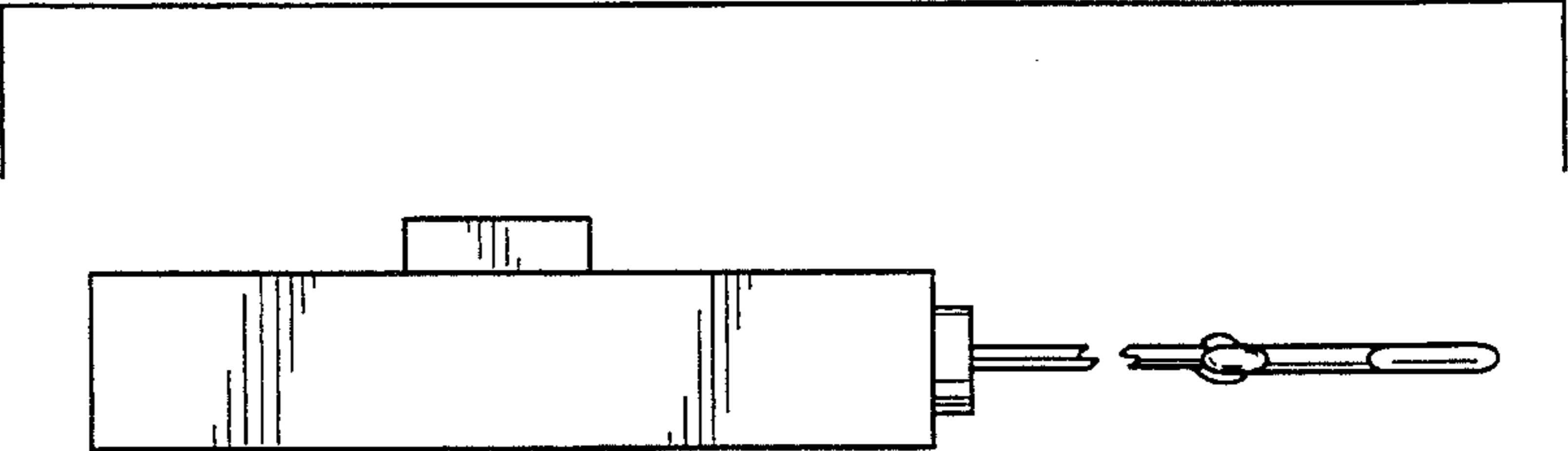


FIG. 4

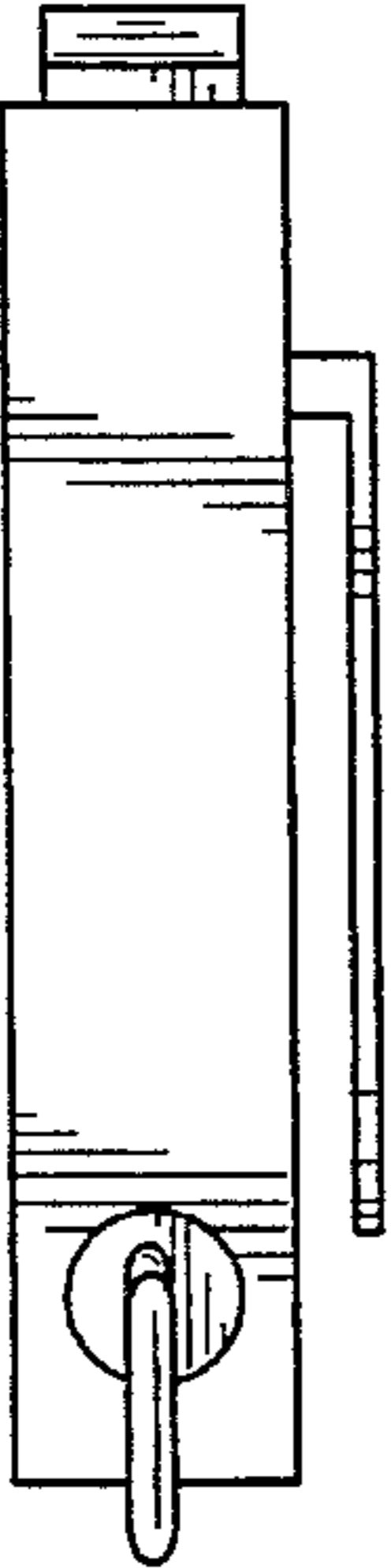


FIG. 5



FIG. 6