



US00D377604S

United States Patent [19]

Salmon et al.

[11] Patent Number: **Des. 377,604**

[45] Date of Patent: ****Jan. 28, 1997**

[54] CONTAINER

D. 312,210 11/1990 Myerson et al. D9/528
D. 339,066 9/1993 Brown et al. D9/528

[75] Inventors: **David E. Salmon**, Watford; **Stephen F. Kelsey**, London; **Gerard M. O'Brien**, Rickmansworth; **Ian H. Crowther**, Wembley, all of United Kingdom

Primary Examiner—Lucy Lieberman
Attorney, Agent, or Firm—McAndrews, Held & Malloy, Ltd.

[73] Assignee: **Castrol Limited**, Wiltshire, England

[57] CLAIM

[**] Term: **14 Years**

The ornamental design for the container, as shown and described.

[21] Appl. No.: **42,160**

[22] Filed: **Aug. 2, 1995**

[30] Foreign Application Priority Data

DESCRIPTION

Feb. 3, 1995 [GB] United Kingdom 2045018

[52] U.S. Cl. **D9/528**

[58] Field of Search D9/528, 527, 533;
215/385, 398; 220/771, 772, 768

FIG. 1 is a right side elevation of a container showing my new design, the left side elevation is a mirror image thereto except for the conventional screw threading on the neck;

FIG. 2 is a front view of the container of FIG. 1;

FIG. 3 is a top view of the container of FIG. 1;

FIG. 4 is a rear view of the container of FIG. 1; and,

FIG. 5 is a bottom view of the container of FIG. 1.

[56] References Cited

U.S. PATENT DOCUMENTS

D. 248,830 8/1978 Anderson D9/528 X

1 Claim, 3 Drawing Sheets

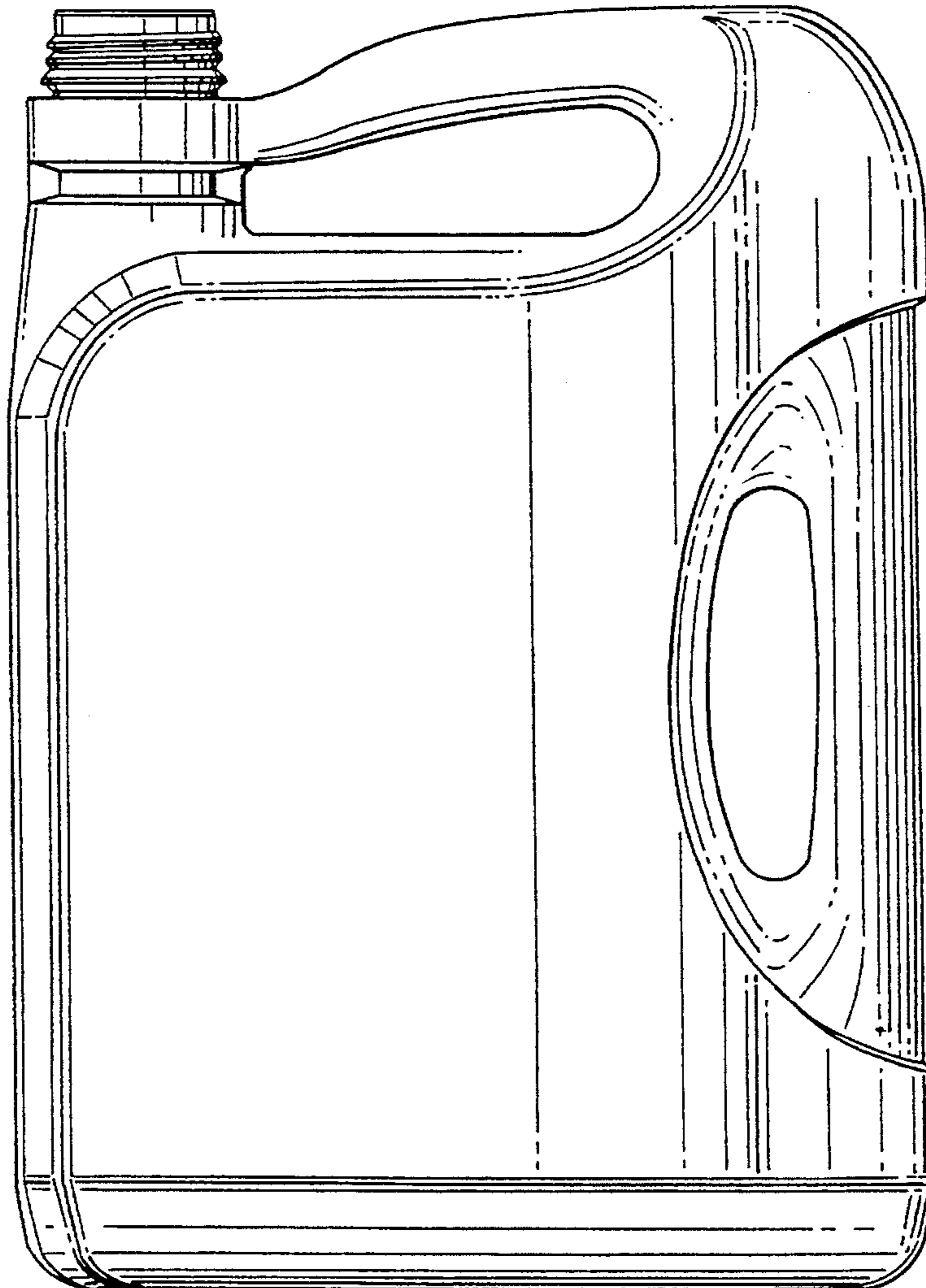


FIG. 1

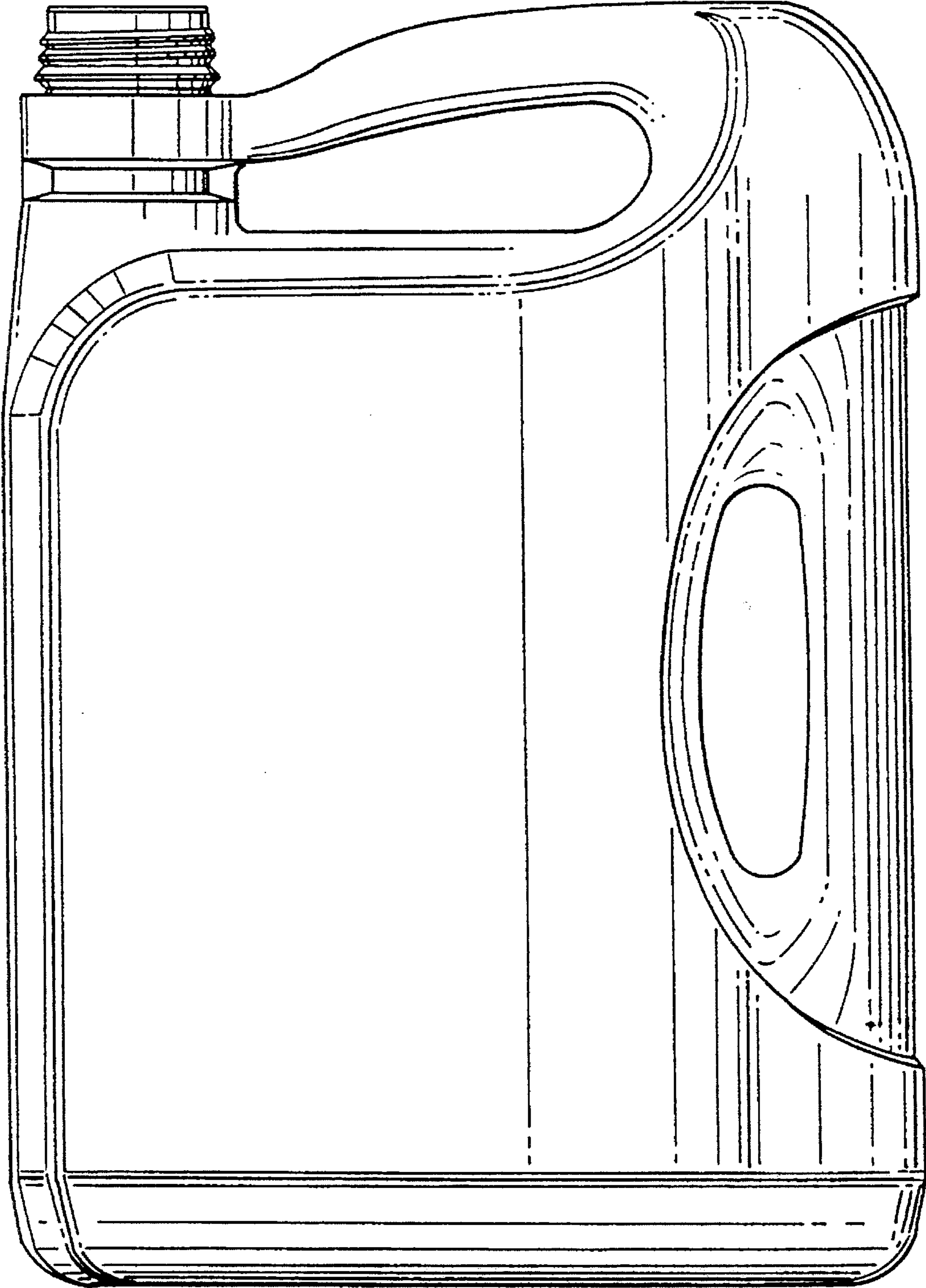


FIG. 2

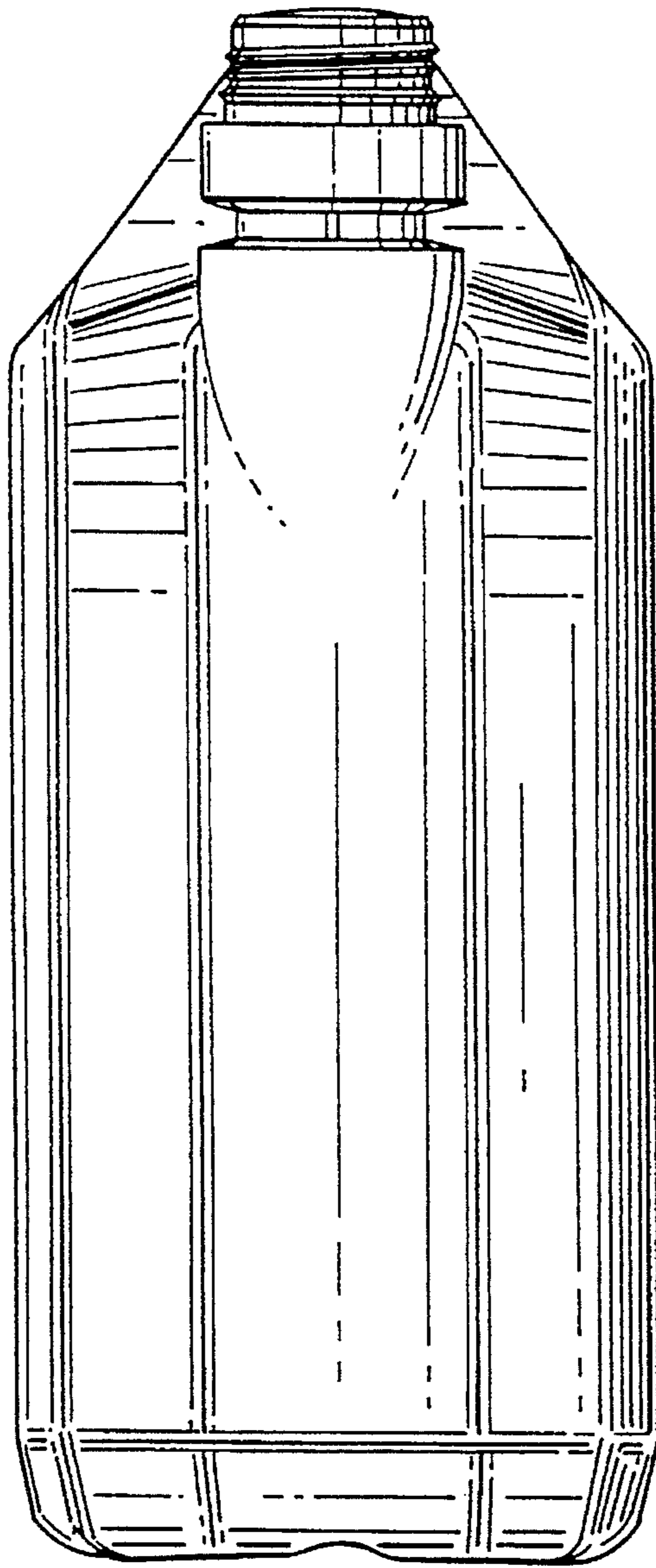


FIG 3

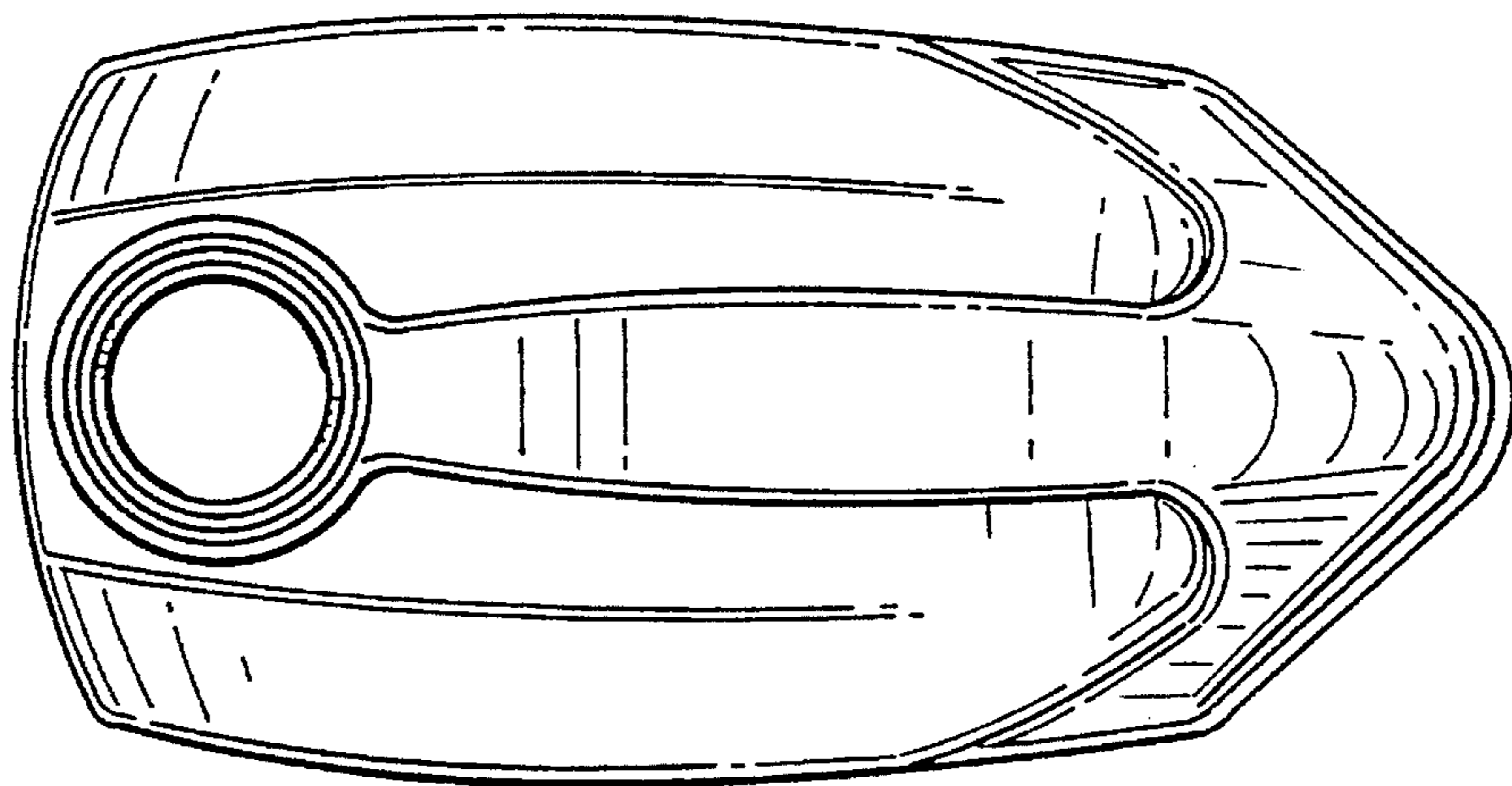


FIG. 4

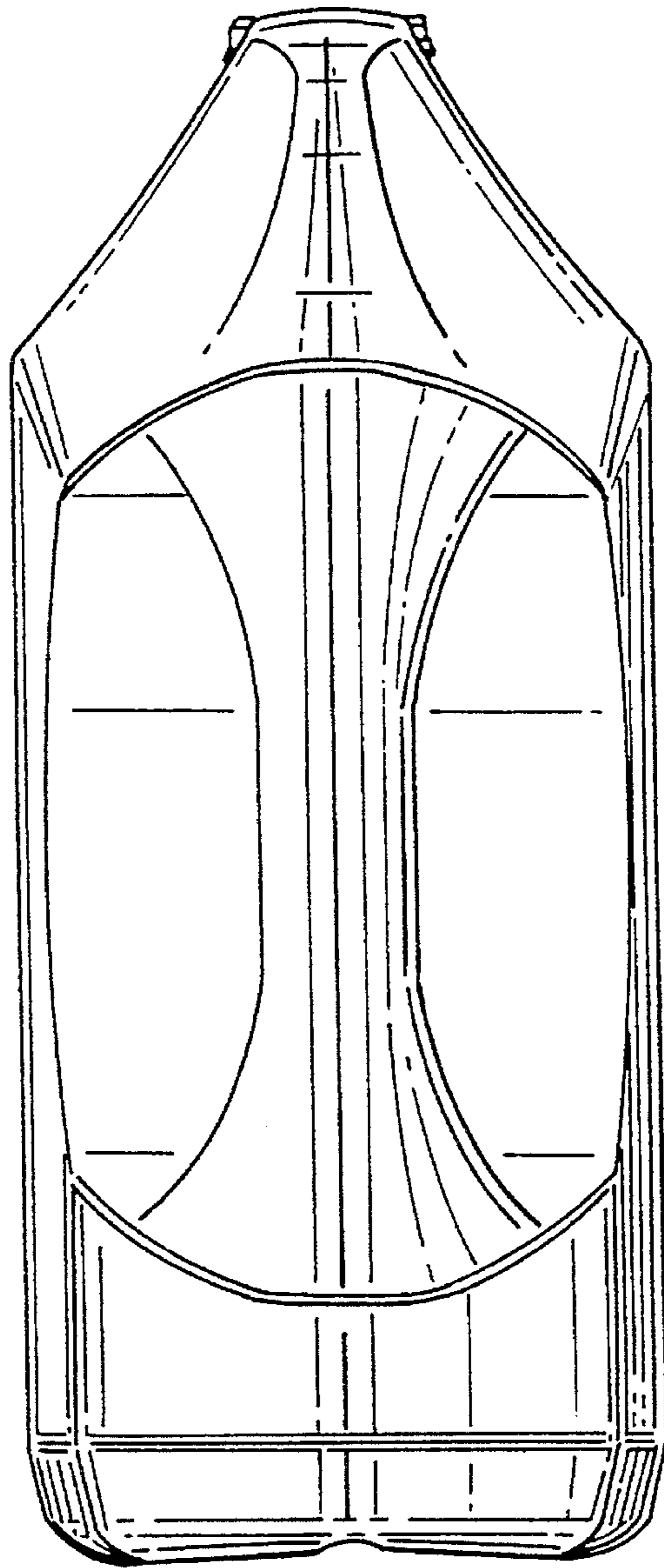


FIG. 5

