



US00D377600S

# United States Patent [19]

[11] Patent Number: **Des. 377,600**

Sacks et al.

[45] Date of Patent: **\*\*Jan. 28, 1997**

## [54] SUSPENSION DEVICE

## FOREIGN PATENT DOCUMENTS

[75] Inventors: **Michael Sacks**, P.O. Box 456, Manchester, M60 2LL; **Islah Z. Ali**, Shrewsbury; **David F. Clark**, Madeley, all of United Kingdom

1498655	1/1978	United Kingdom .
2152575	8/1985	United Kingdom .
2165737	4/1986	United Kingdom .
2205352	12/1988	United Kingdom .
2249468	5/1992	United Kingdom .
2264039	8/1993	United Kingdom .

[73] Assignee: **Michael Sacks**, Manchester, United Kingdom

*Primary Examiner*—Holly H. Baynham  
*Attorney, Agent, or Firm*—Banner & Witcoff, Ltd.

[\*\*] Term: **14 Years**

## [57] CLAIM

[21] Appl. No.: **41,093**

The ornamental design for a suspension device, as shown and described.

[22] Filed: **Jul. 5, 1995**

[52] U.S. Cl. .... **D8/373**

## DESCRIPTION

[58] Field of Search ..... D8/373, 354, 349, D8/382, 356; 24/573, 597; D11/218

FIG. 1 is a front elevational view of a suspension device showing our new design;

## [56] References Cited

### U.S. PATENT DOCUMENTS

D. 183,487	9/1958	Hollander .....	D8/373
D. 301,304	5/1989	Will .....	D8/373
D. 321,885	11/1991	Sheldrake .....	D6/553 X
1,519,380	12/1924	Kochanski .	
3,878,589	4/1975	Schaefer .	
4,419,794	12/1983	Horton, Jr. et al. .	
4,605,335	8/1986	Otrusina .	
4,676,420	6/1987	Sharp .	
4,718,586	1/1988	Hagino .	
5,054,170	10/1991	Otrusina .	
5,274,885	1/1994	Hellweg .....	24/597 X
5,457,859	10/1995	Kacprowicz et al. ....	24/573.1

FIG. 2 is a top plan view of the suspension device shown in FIG. 1;

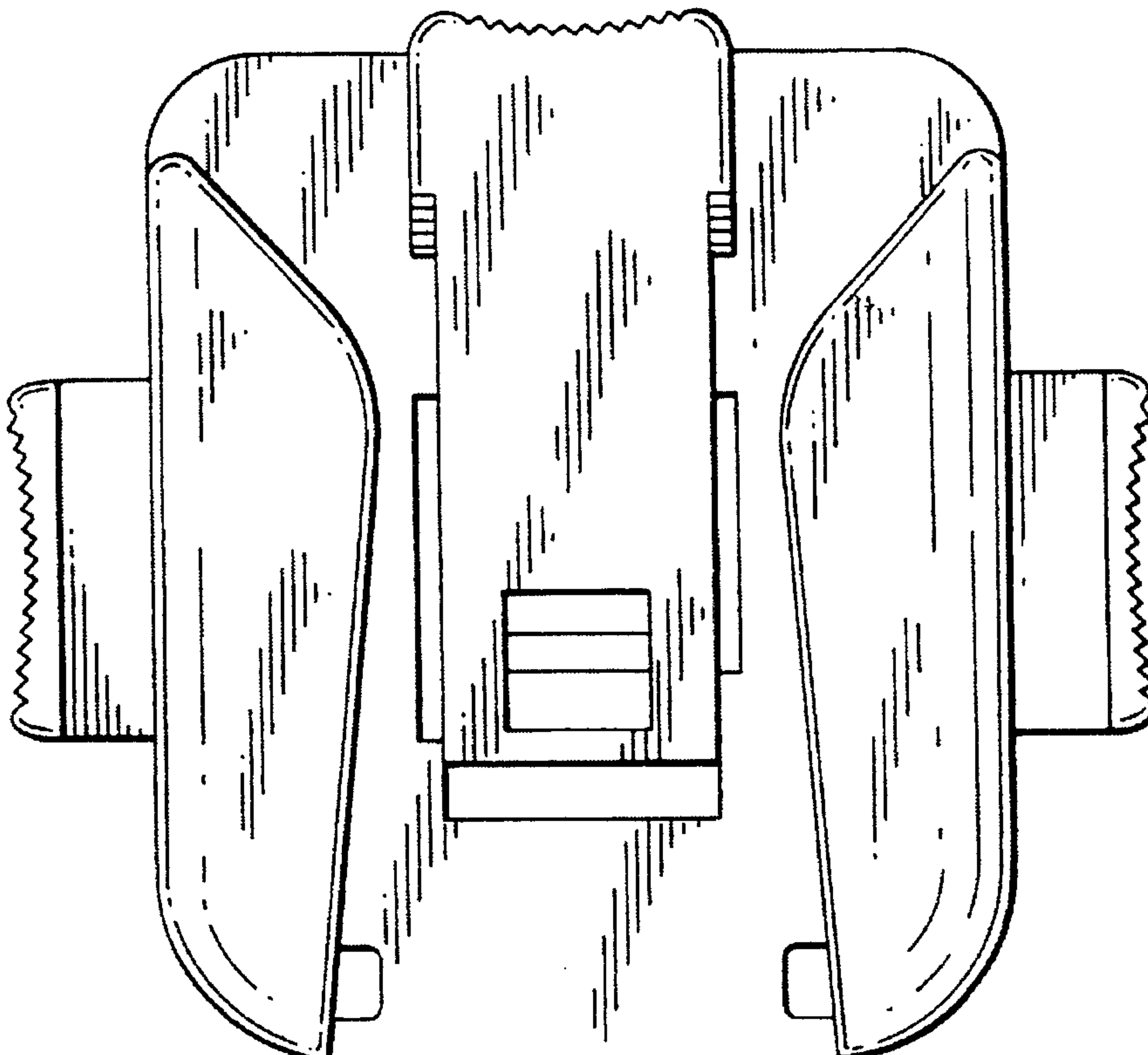
FIG. 3 is a bottom plan view of the suspension device shown in FIG. 1;

FIG. 4 is a right side elevational view of the suspension device shown in FIG. 1, the left side elevational view being a mirror image thereof; and,

FIG. 5 is a rear elevational view of the suspension device shown in FIG. 1.

The broken line showing of the structure in FIG. 5 is for illustrative purposes only and forms no part of the claimed design.

**1 Claim, 3 Drawing Sheets**



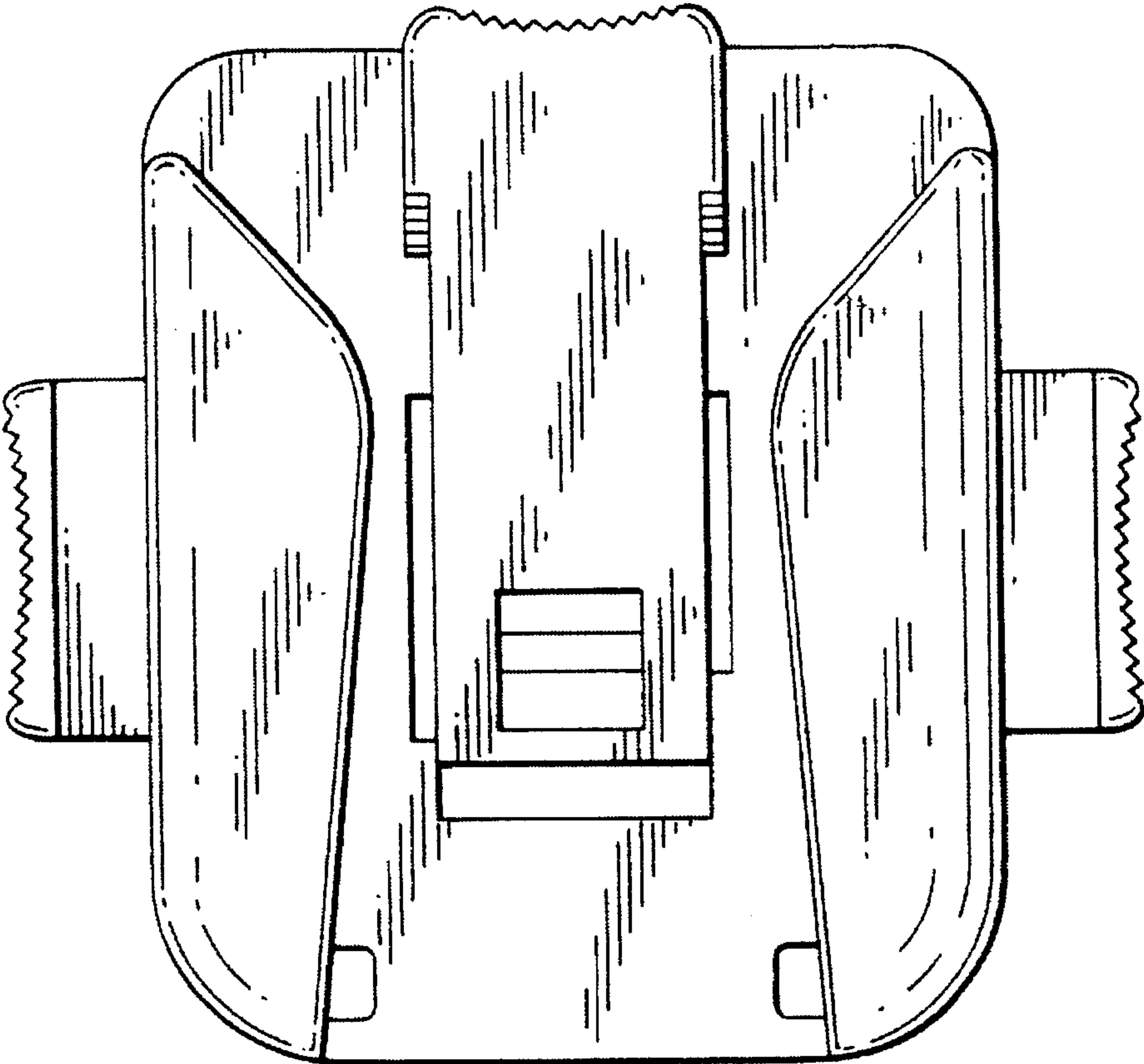


FIG. 1

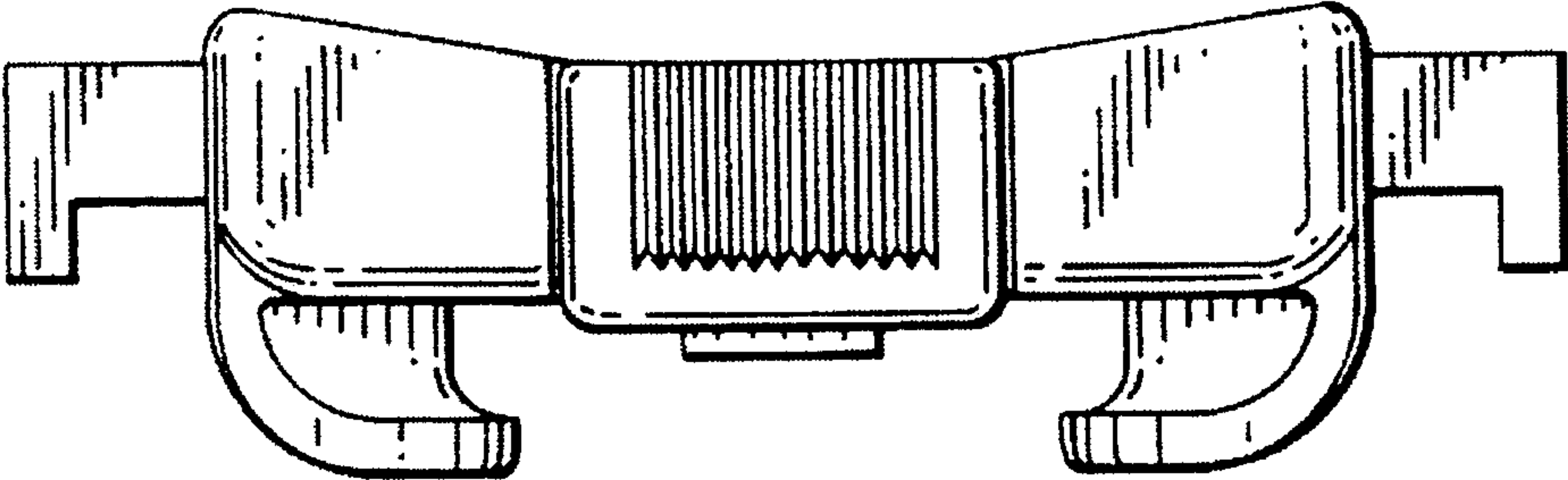


FIG. 2

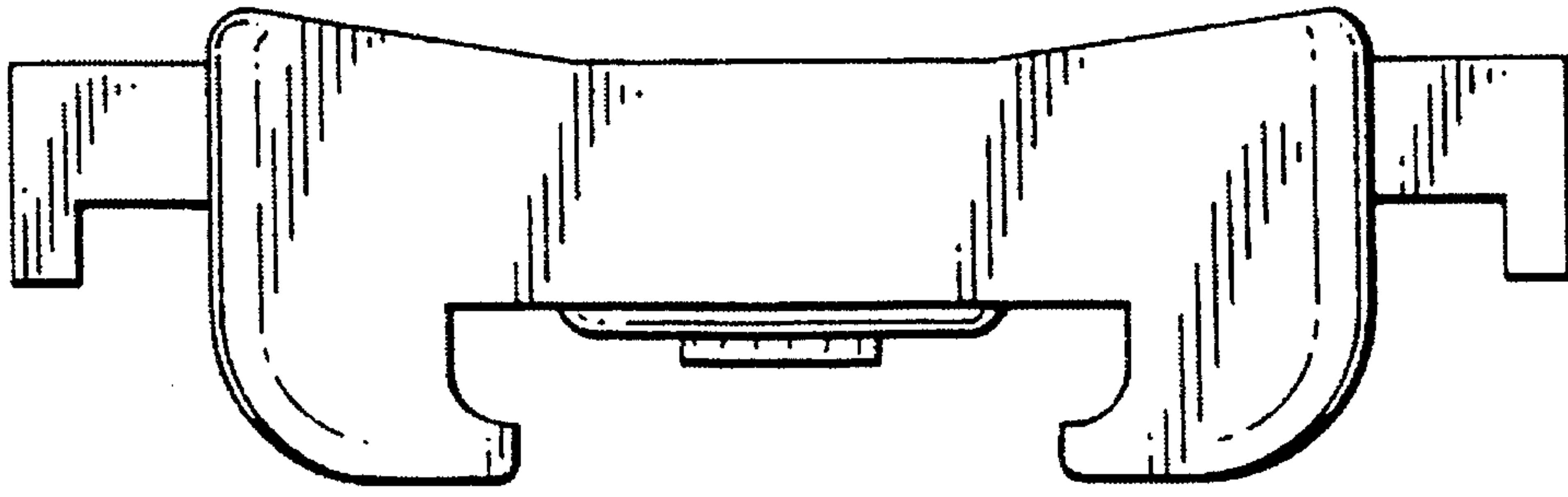


FIG. 3

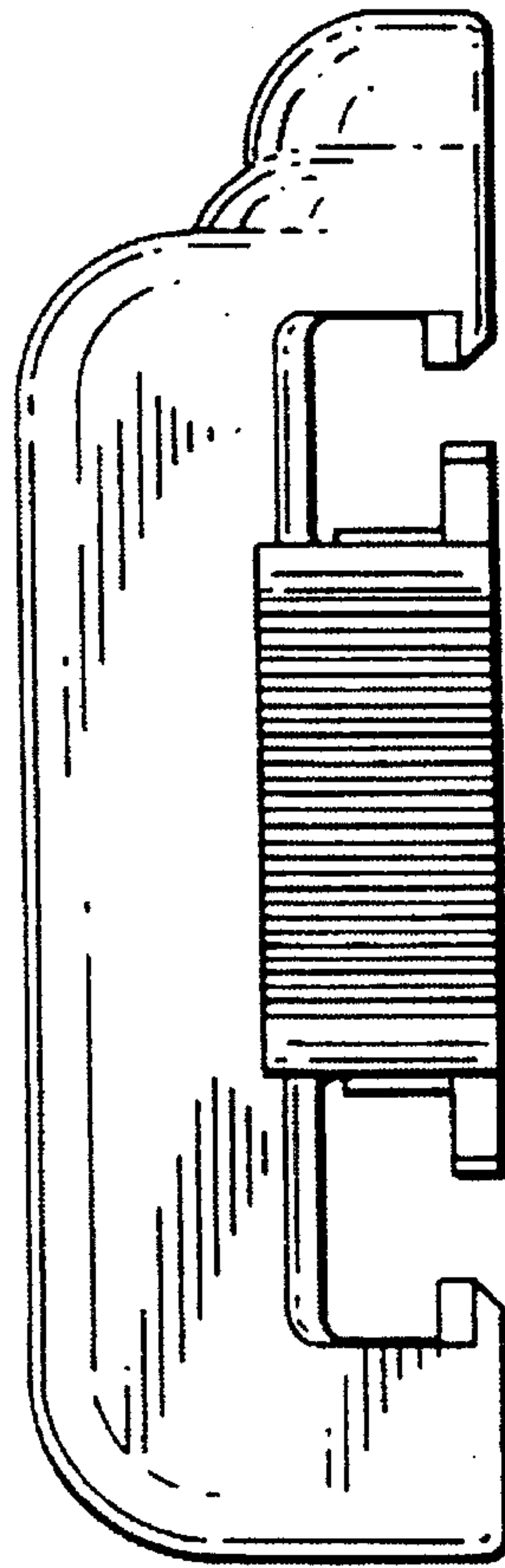


FIG. 4

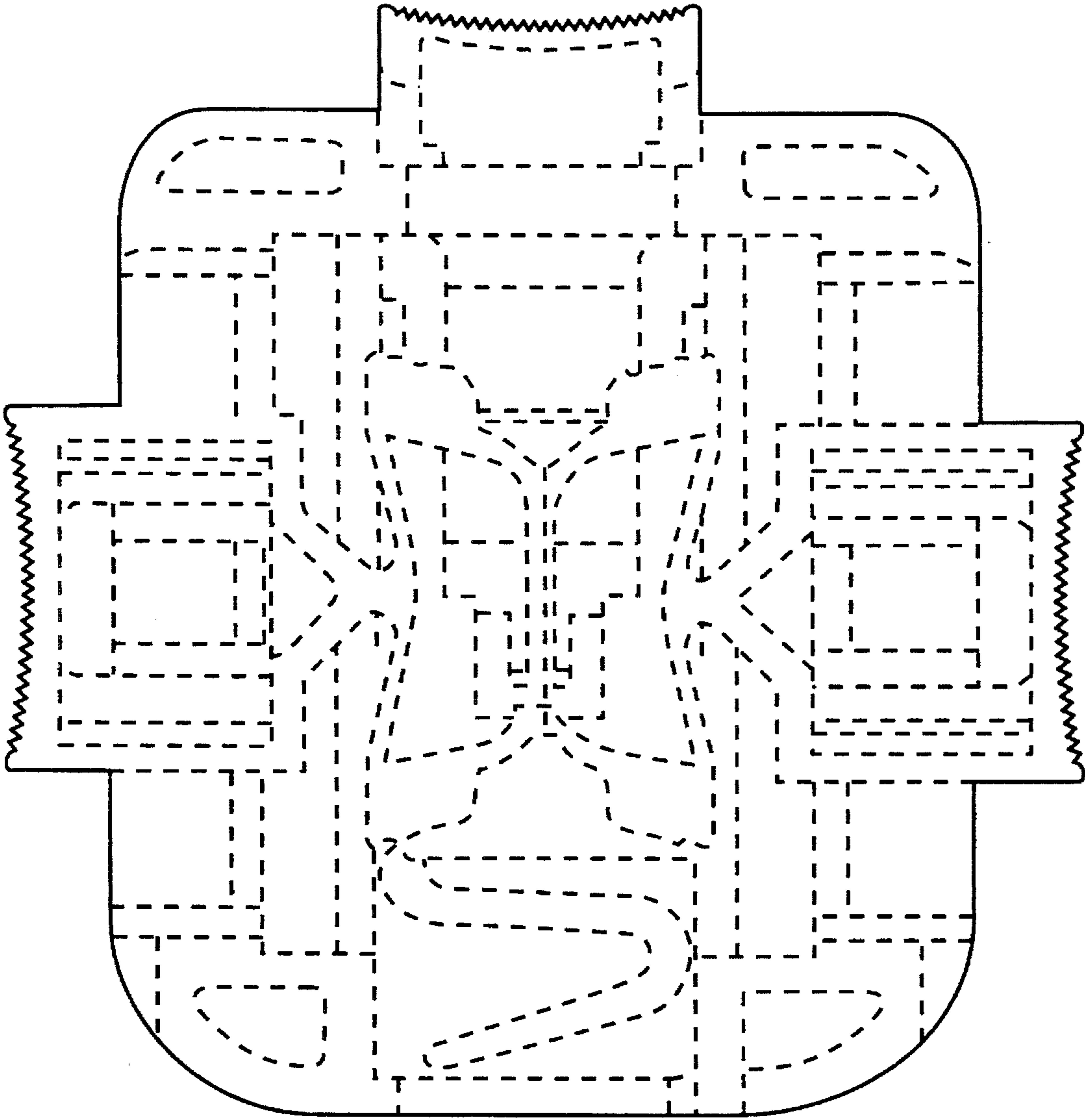


FIG 5