



US00D377598S

United States Patent [19]

Beard, Jr.

[11] Patent Number: **Des. 377,598**

[45] Date of Patent: ****Jan. 28, 1997**

[54] **ANGLED THREE COAT PLASTERING
CORNER SUPPORT**

[76] Inventor: **Harold W. Beard, Jr.**, P.O. Box 5485,
Carefree, Ariz. 85377

[**] Term: **14 Years**

[21] Appl. No.: **46,203**

[22] Filed: **Nov. 9, 1995**

[52] U.S. Cl. **D8/354; D25/102**

[58] Field of Search **D8/349, 354; 248/220.1;
52/246, 264, 280, 288.1; D25/102; D6/491**

[56] **References Cited**

U.S. PATENT DOCUMENTS

D. 175,229	7/1955	Neufeld .	
D. 192,613	4/1962	Lewer et al.	D8/382
D. 349,166	7/1994	Beard, Jr.	D25/102
2,041,899	5/1936	Brand .	
2,069,289	2/1937	Swendsen et al.	52/288.1
2,208,227	7/1940	Page	52/280
3,101,184	8/1963	Allen et al. .	

3,603,054	9/1971	Didry	52/282.1
4,037,376	7/1977	Baal-Taxa .	
4,621,471	11/1986	Kuhr et al.	52/288.1
4,640,491	3/1987	Grist et al. .	
4,909,006	3/1990	Hickman et al.	52/288.1

Primary Examiner—Holly H. Baynham
Attorney, Agent, or Firm—Laura J. Zeman

[57] **CLAIM**

The ornamental design for an angled three coat plastering corner support, as shown.

DESCRIPTION

FIG. 1 is a perspective view of the angled three coat plastering corner support showing my new design taken from the back of the angled three coat plastering corner support;

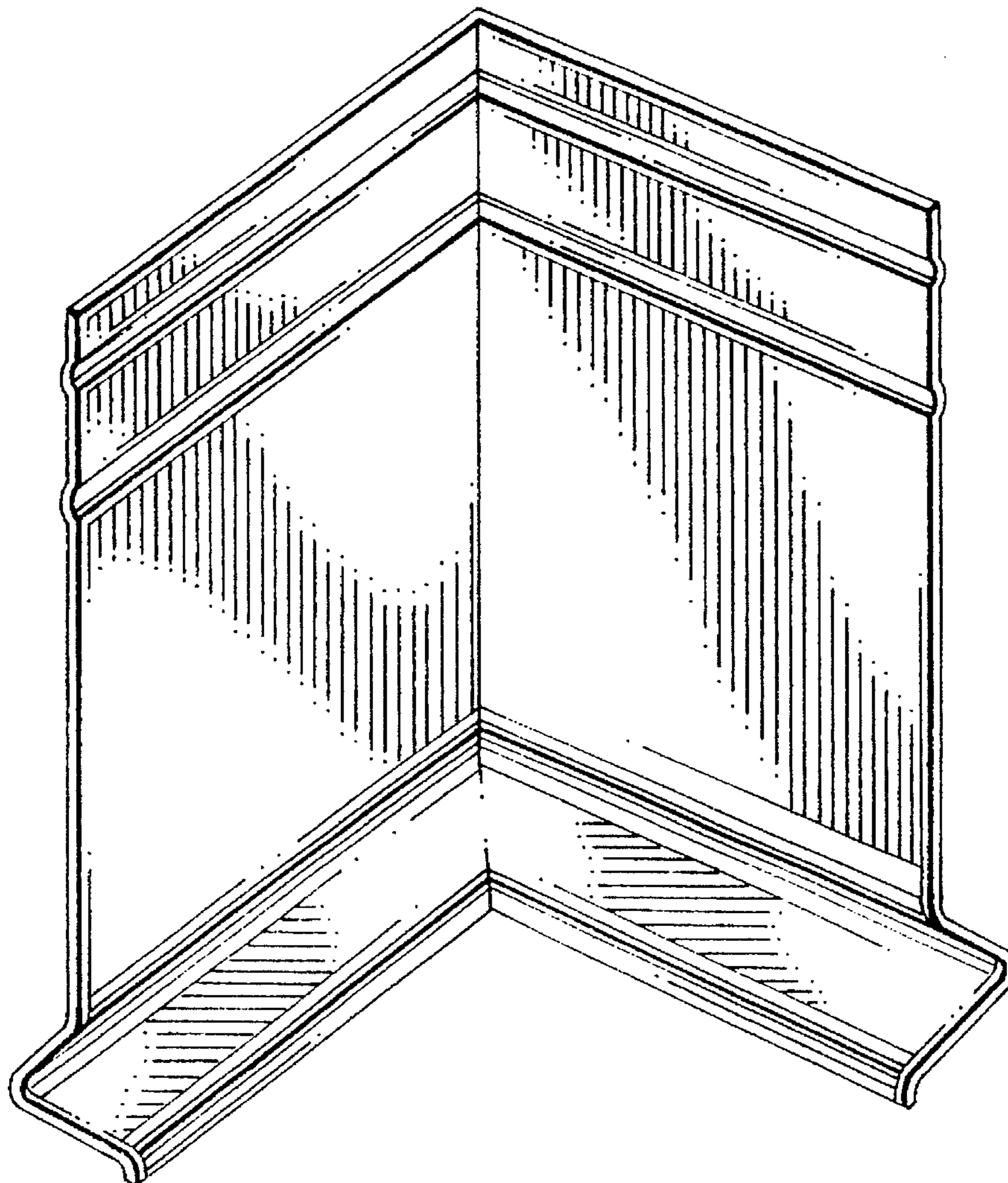
FIG. 2 is a side elevational view thereof;

FIG. 3 is a top plan view thereof;

FIG. 4 is the opposite side elevational view thereof; and,

FIG. 5 is a bottom plan view thereof.

1 Claim, 1 Drawing Sheet



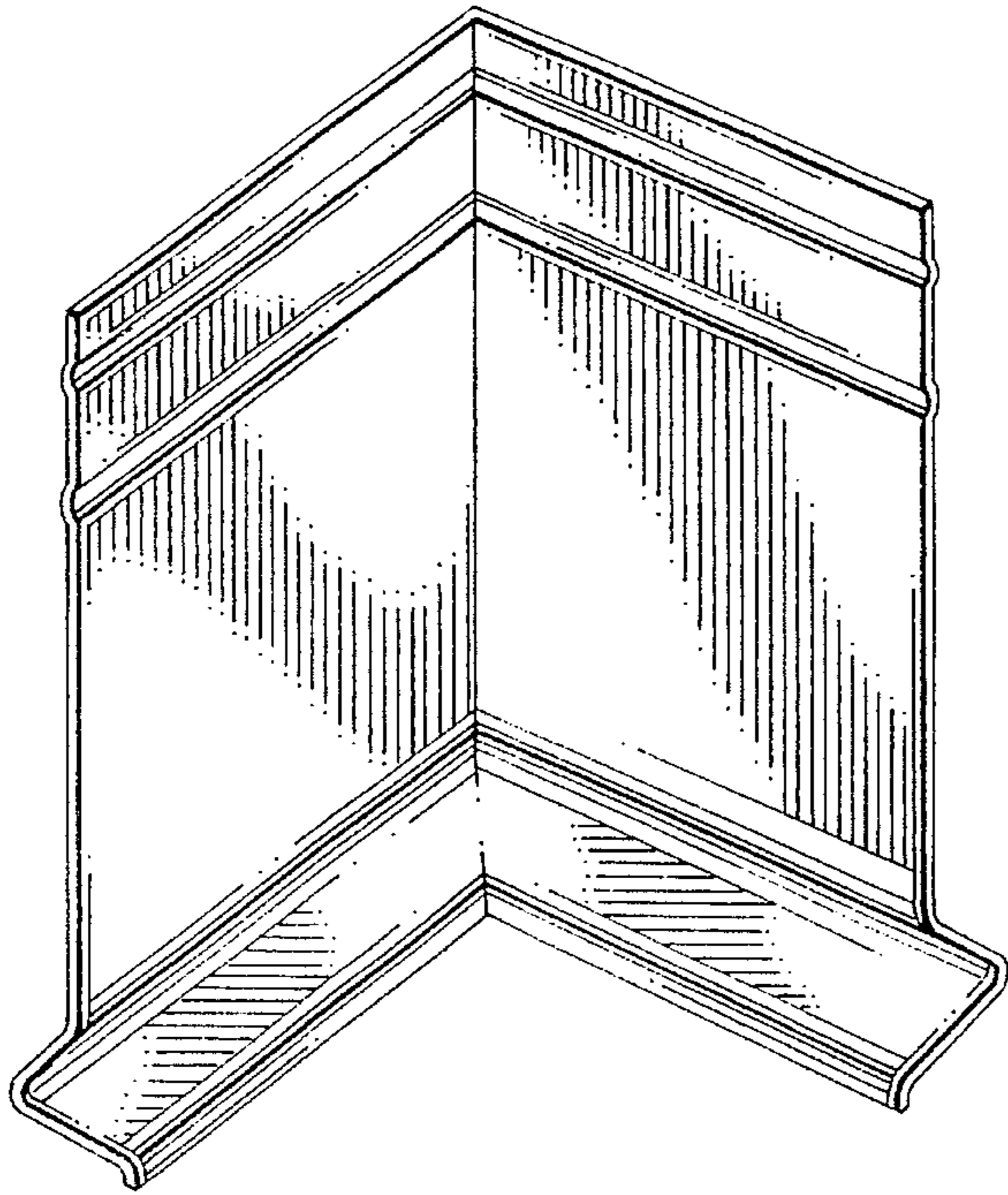


FIG. 1

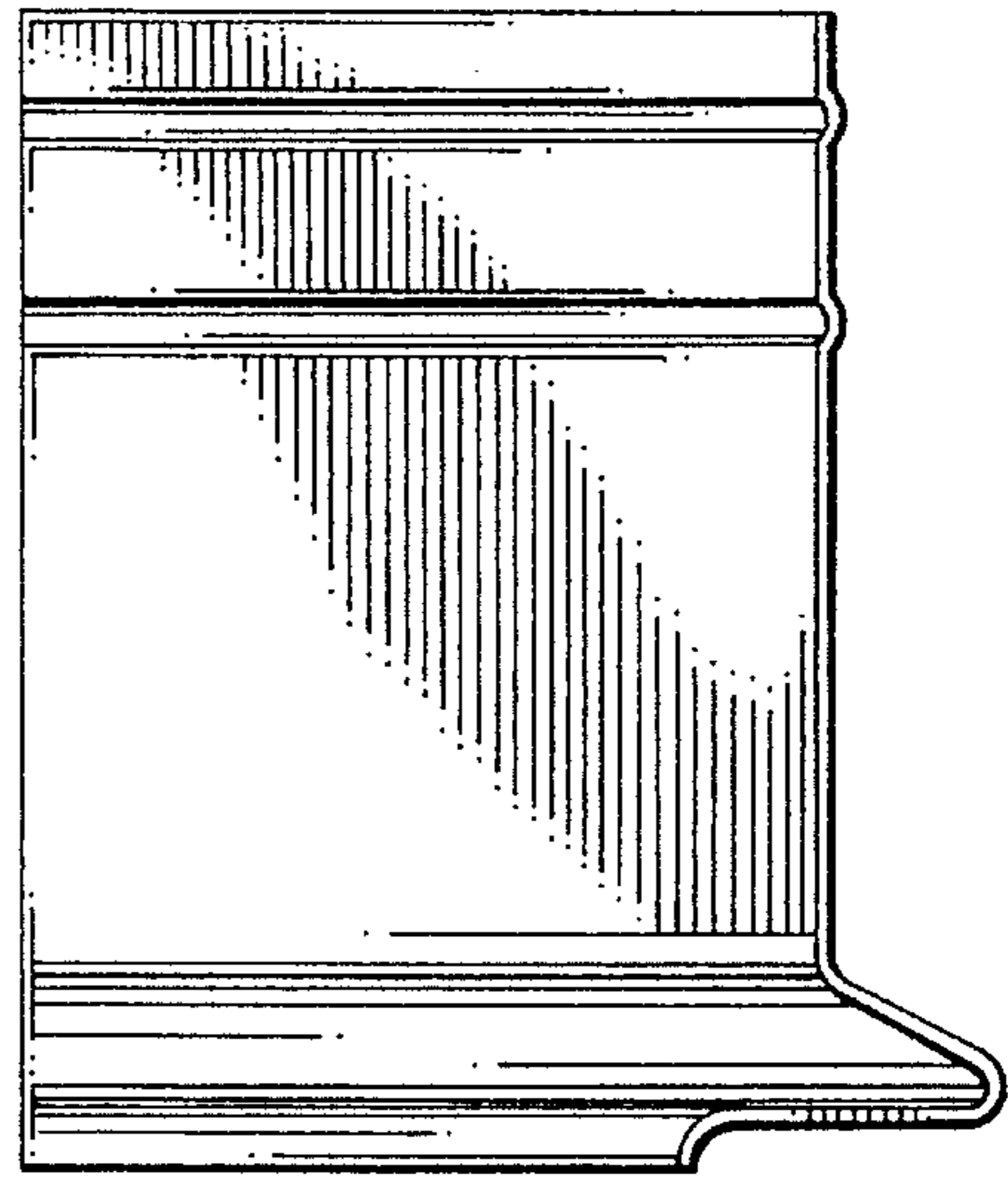


FIG. 2

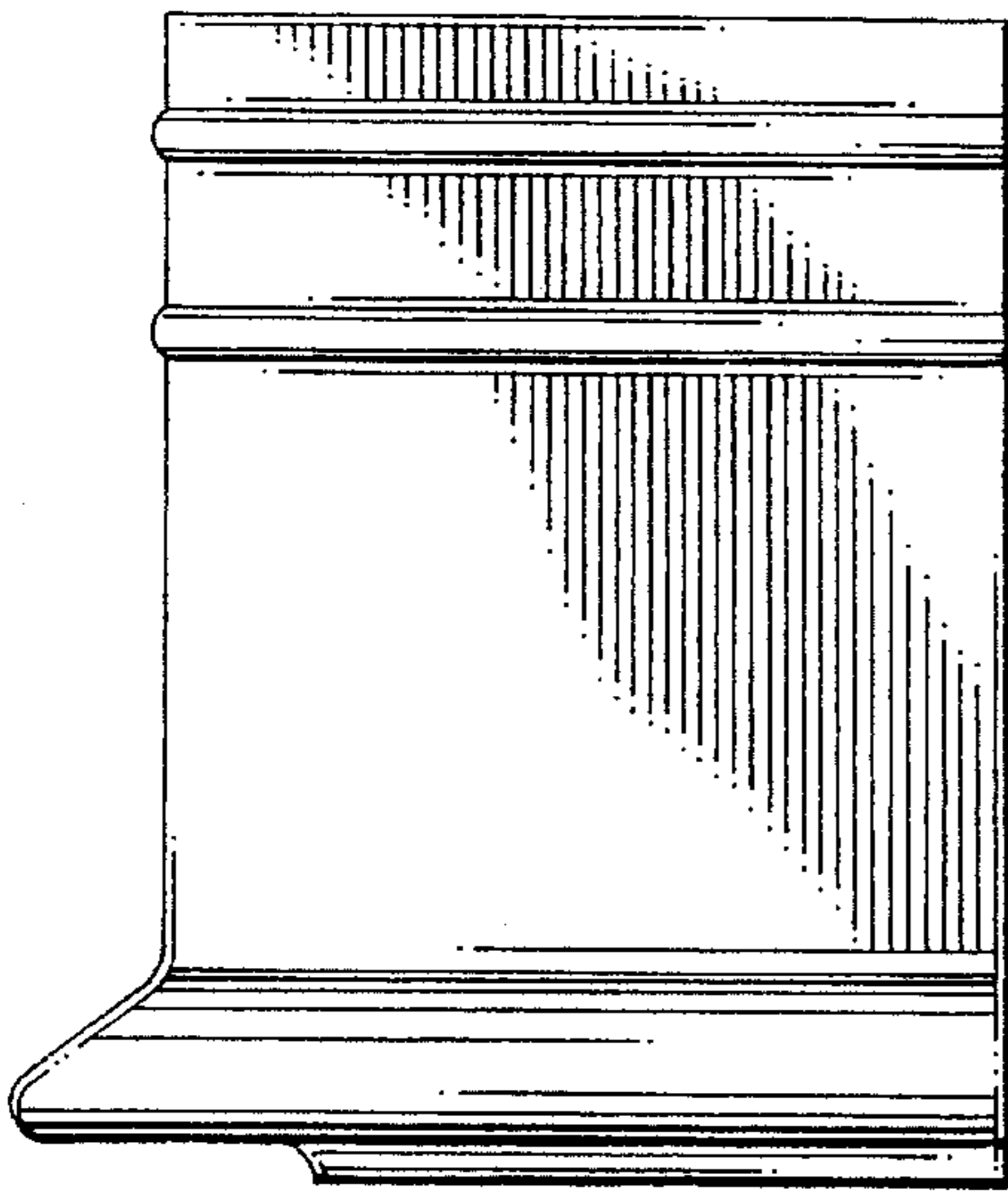


FIG. 4

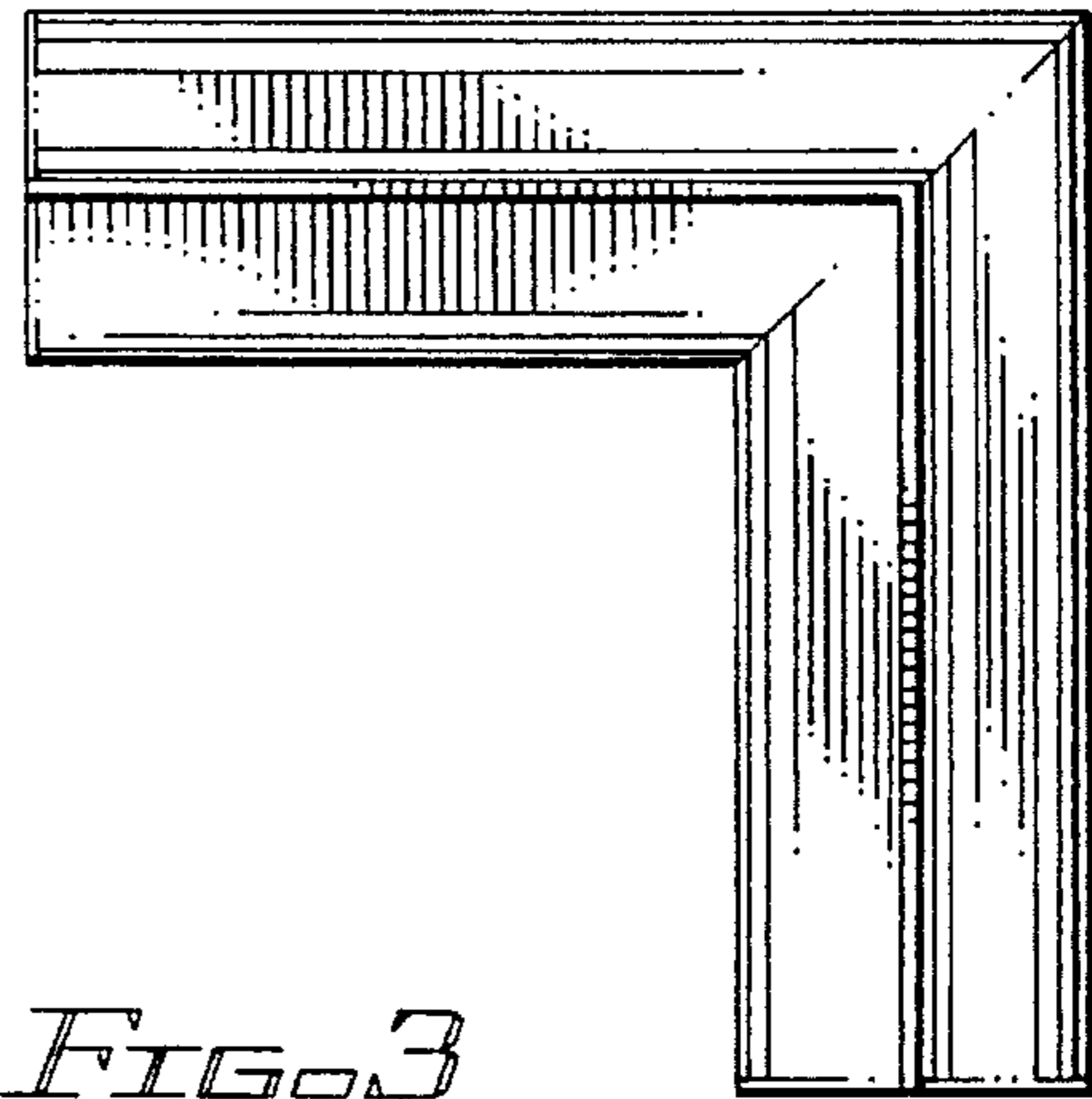


FIG. 3

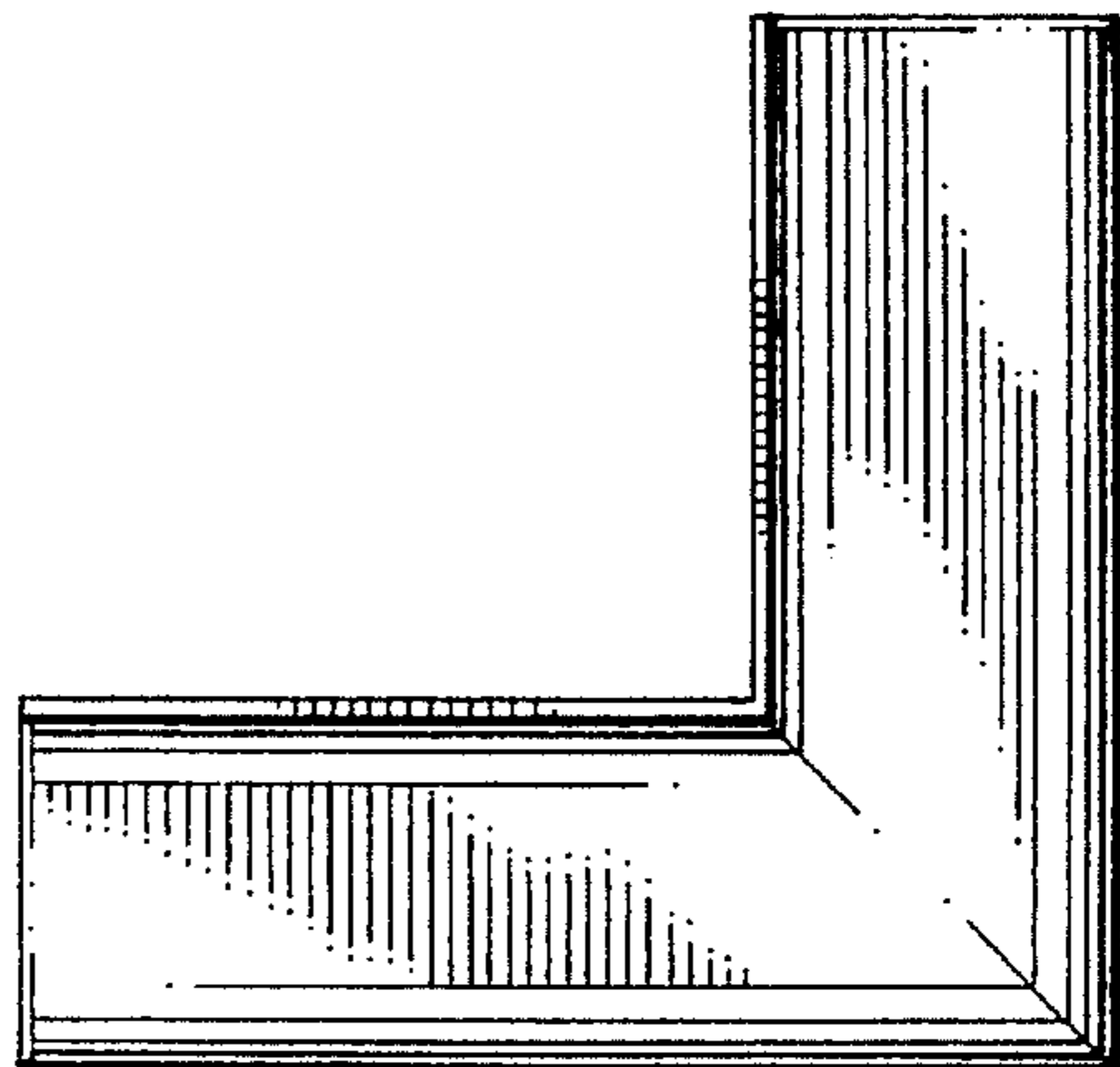


FIG. 5