



US00D377594S

# United States Patent [19] Hollingsworth

[11] Patent Number: **Des. 377,594**

[45] Date of Patent: **\*\*Jan. 28, 1997**

[54] **TOOLHOLDER**

D. 335,935 5/1993 Rouail ..... D8/373  
3,154,281 10/1964 Frank ..... 248/201

[76] Inventor: **Don A. Hollingsworth**, 10511 Keokuk Ave., Chatsworth, Calif. 91311

*Primary Examiner*—James M. Gandy  
*Assistant Examiner*—Robert M. Spear  
*Attorney, Agent, or Firm*—Don A. Hollingsworth

[\*\*] Term: **14 Years**

[21] Appl. No.: **45,061**

[57] **CLAIM**

[22] Filed: **Oct. 6, 1995**

The ornamental design for a "toolholder", as shown and described.

[52] U.S. Cl. .... **D8/71**

[58] Field of Search ..... D8/71, 373; D6/323, D6/553; D15/140; 211/60.1, 70.6; 248/201, 217.3, 304, 312, 312.1, 315, 316.8

### DESCRIPTION

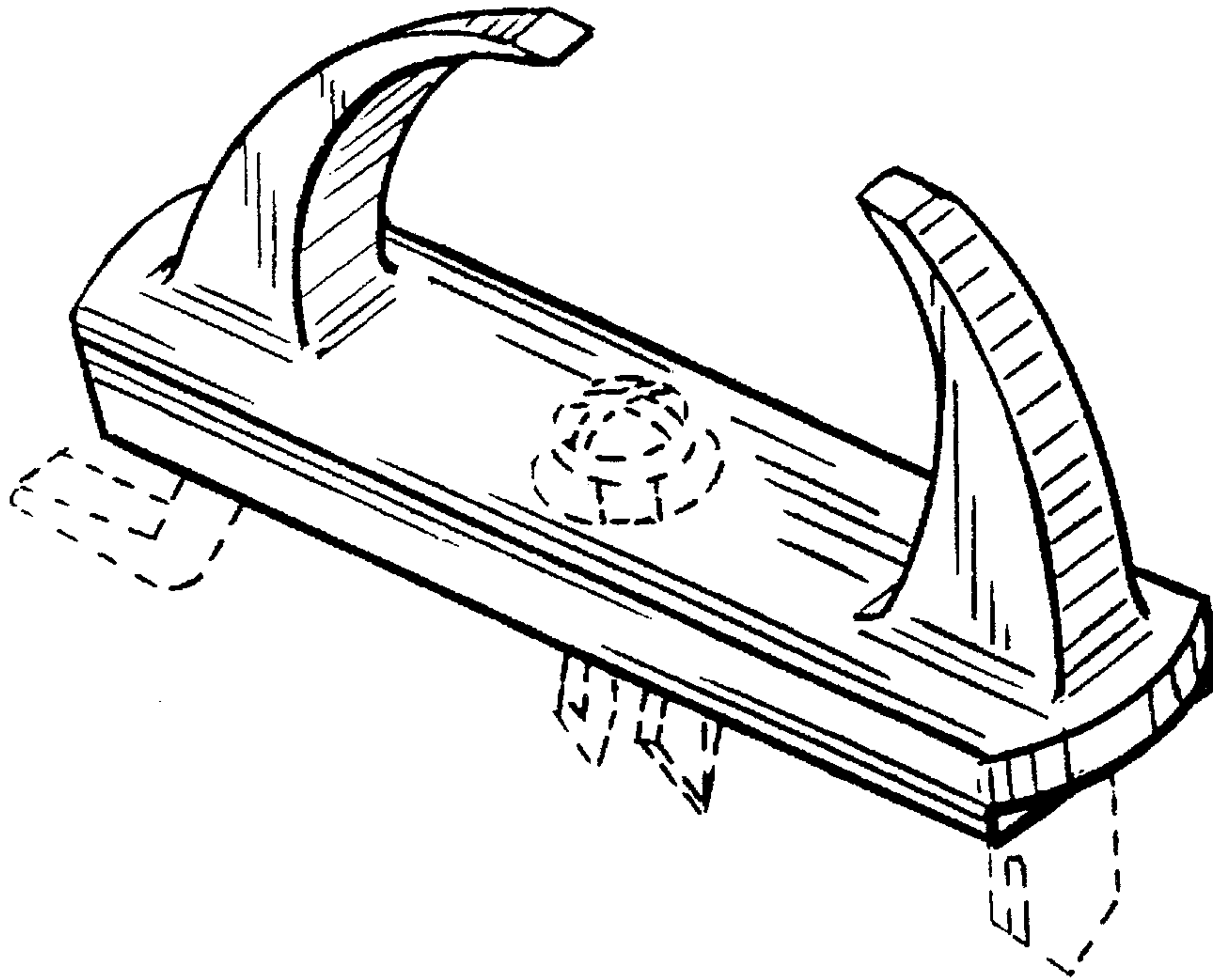
[56] **References Cited**

#### U.S. PATENT DOCUMENTS

D. 24,008	2/1895	Field	.....	D8/373
D. 32,336	3/1900	Cliff	.....	D8/373
D. 188,824	9/1960	Bush	.....	D8/373
D. 197,605	3/1964	Nelson	.....	D8/373
D. 233,385	10/1974	Friedman	.....	D8/373
D. 294,457	3/1988	Doty et al.	.....	D8/373
D. 297,616	9/1988	Doty et al.	.....	D8/373
D. 304,655	11/1989	Pool	.....	D8/373

FIG. 1 is a front side perspective view of my new design; FIG. 2 is a top view thereof; FIG. 3 is a front side elevation view thereof, the rear side elevation view being a mirror image thereof; FIG. 4 is a bottom view thereof; FIG. 5 is a left side elevation view thereof; and, FIG. 6 is a right elevation side view thereof. The broken line showing of the toolholder mounting assembly is for illustrative purposes only and forms no part of the claimed design.

**1 Claim, 1 Drawing Sheet**



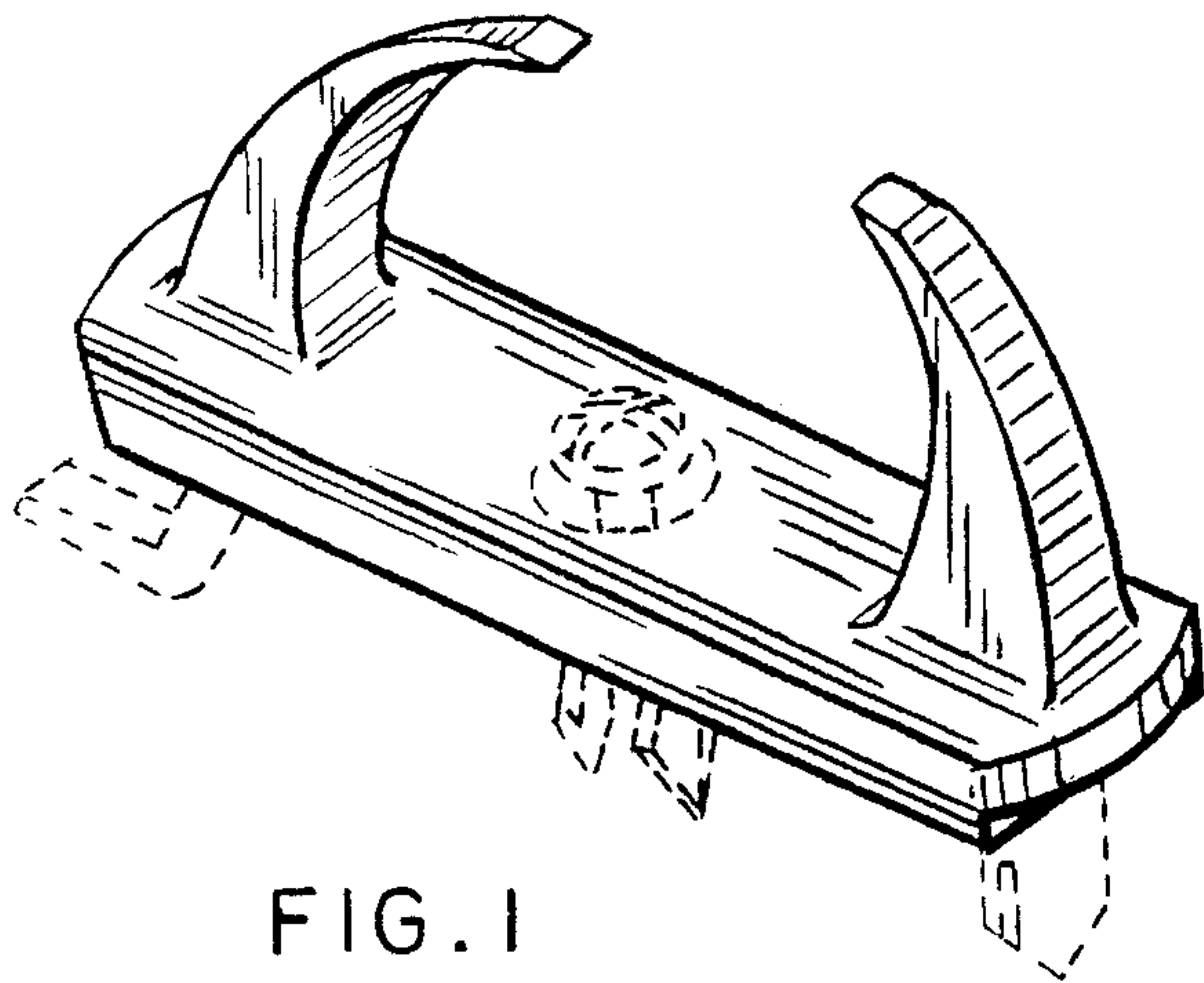


FIG. 1

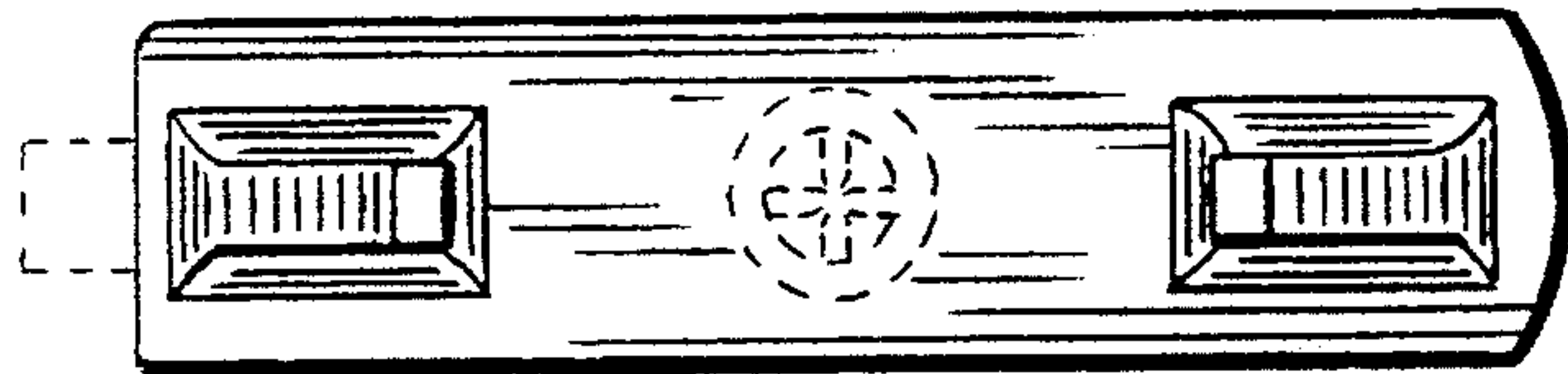


FIG. 2

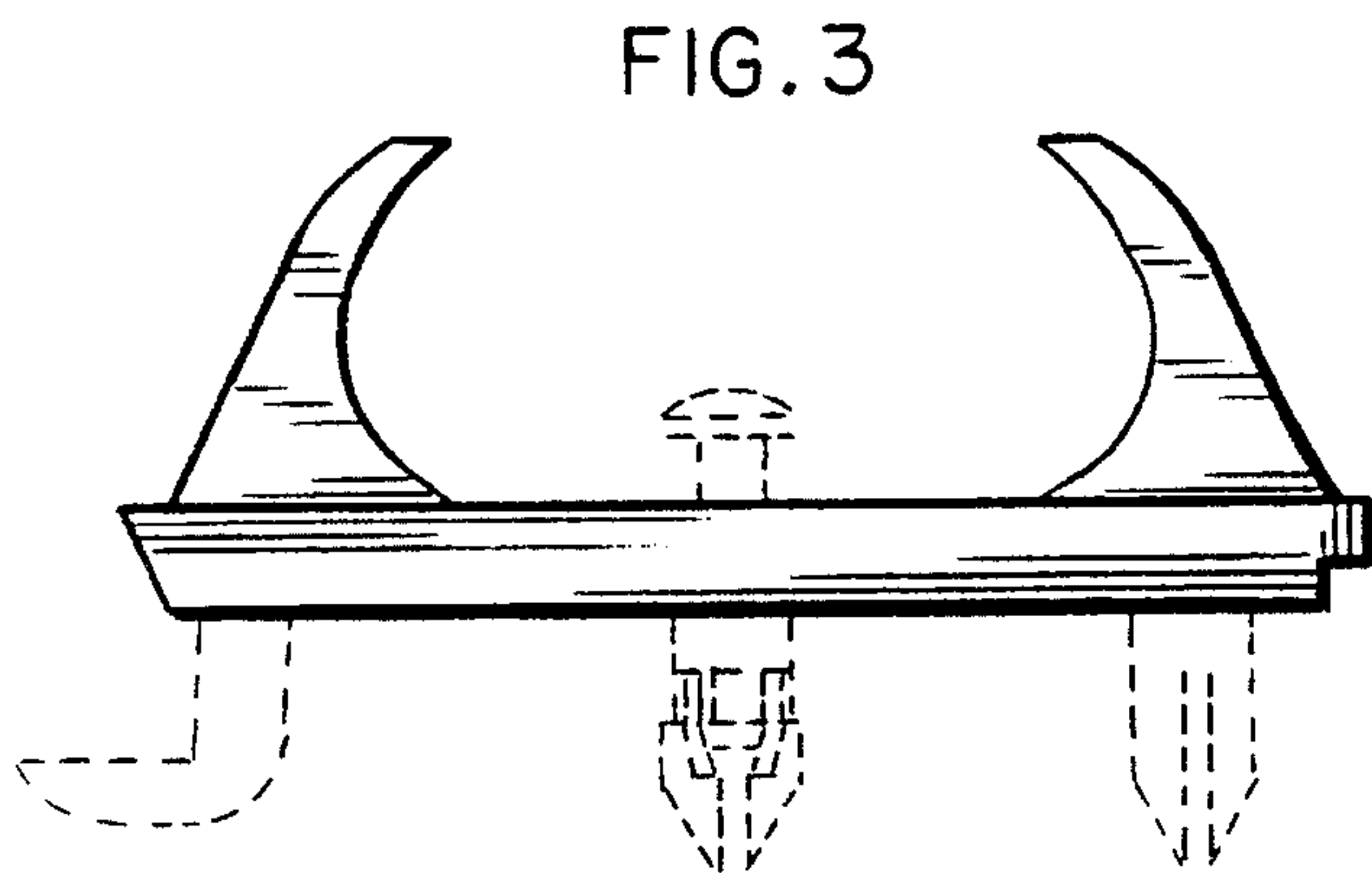


FIG. 3

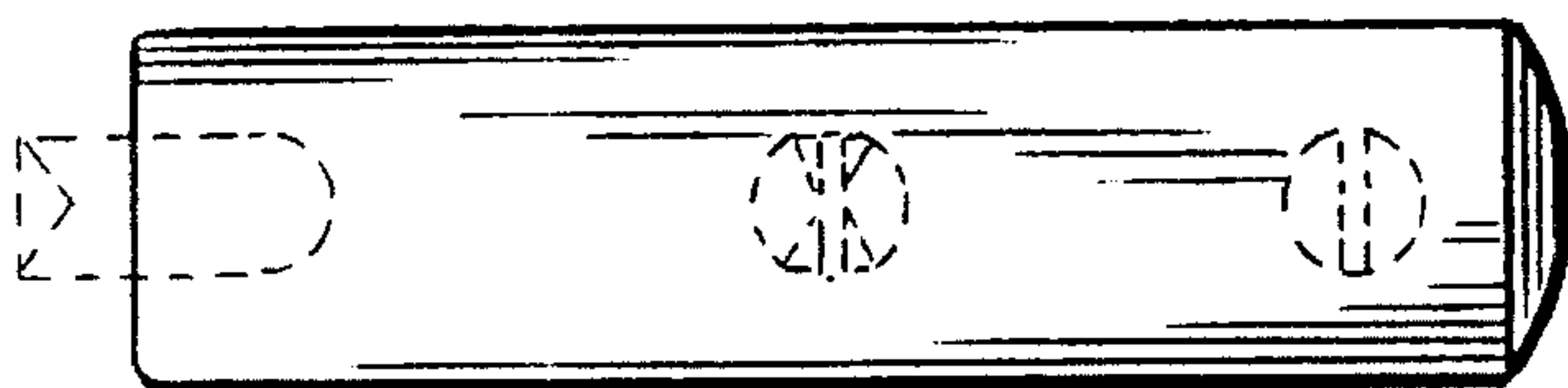


FIG. 4

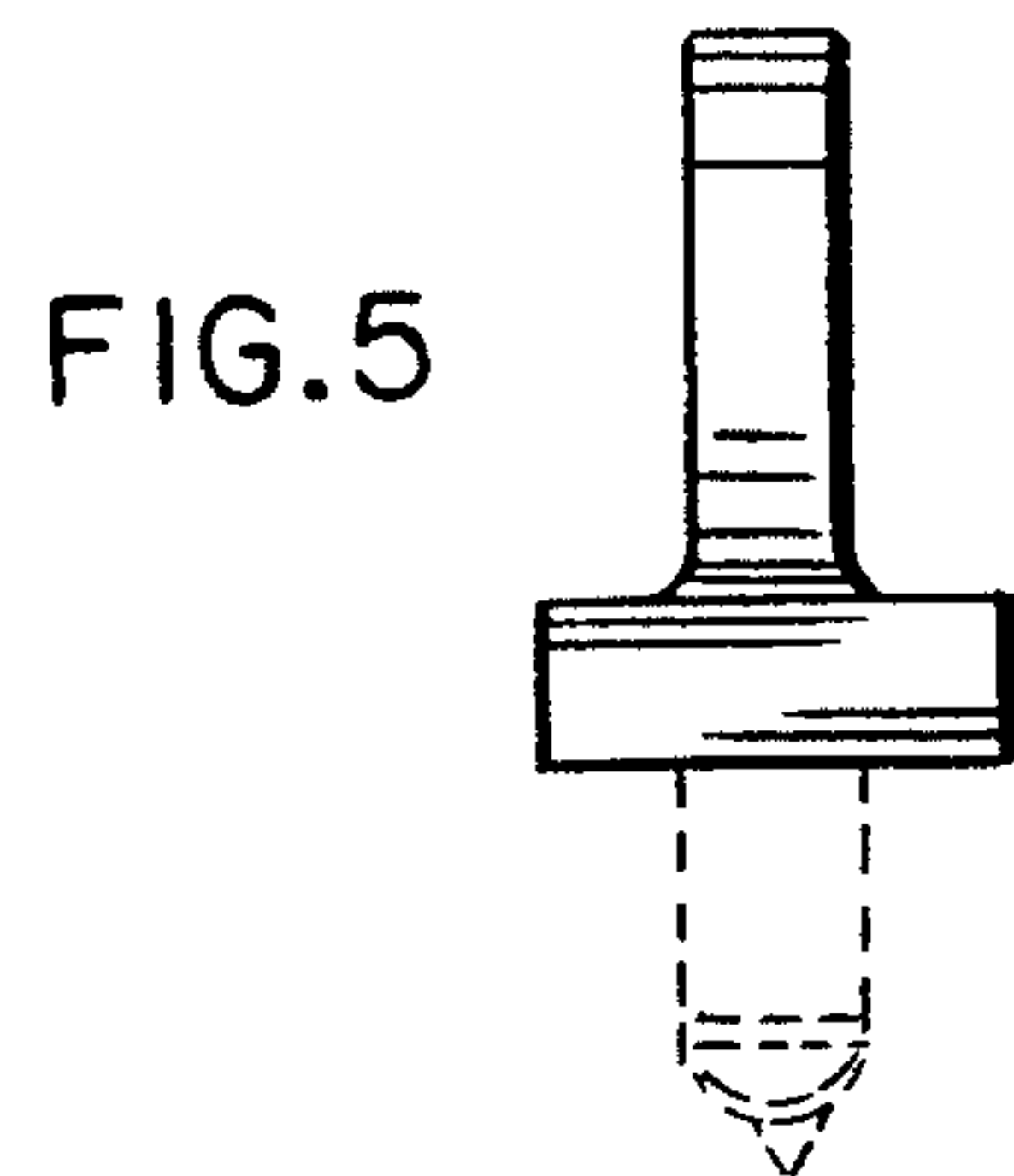


FIG. 5

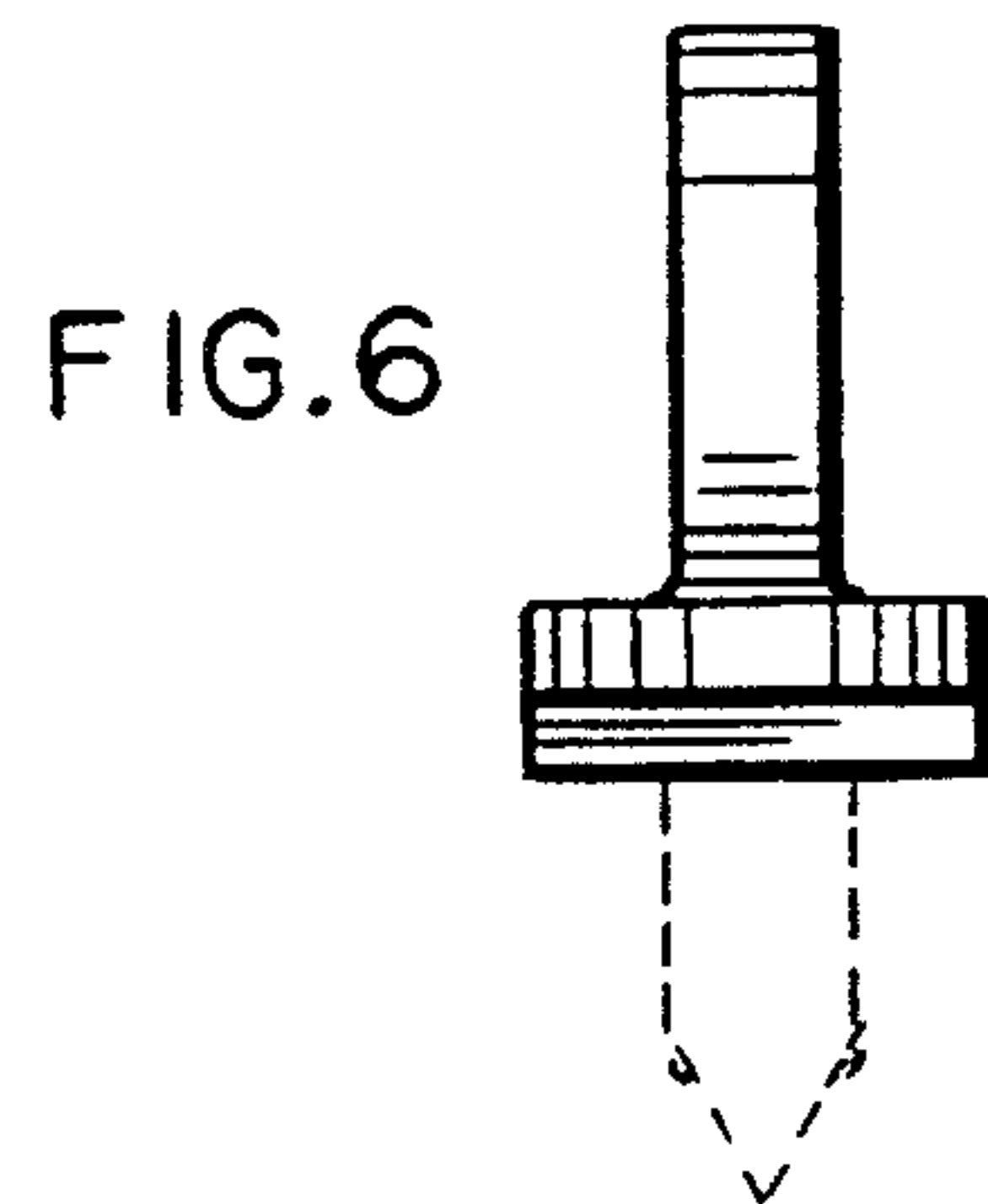


FIG. 6