



US00D377593S

United States Patent [19]

[11] Patent Number: **Des. 377,593**

Telfer et al.

[45] Date of Patent: ****Jan. 28, 1997**

[54] **STAND FOR TOOLS AND ACCESSORIES**

[76] Inventors: **Thomas Telfer**, Kilcoy, Ercall Road, Brightons by Falkirk, FK2 0TG; **James Telfer**, 37 Park Avenue, Bilston, Roslin, Midlothian, EH25 9SE, both of United Kingdom

[**] Term: **14 Years**

[21] Appl. No.: **44,320**

[22] Filed: **Sep. 22, 1995**

[30] **Foreign Application Priority Data**

Mar. 30, 1995 [GB] United Kingdom 2046375

[52] U.S. Cl. **D8/71**

[58] Field of Search D8/71; D6/416; 206/314, 443; 211/60.1, 70; 248/127, 164, 173, 178, 188.5, 146, 354.1, 354.2, 354.3, 354.4, 354.5, 354.6, 431

[56] **References Cited**

U.S. PATENT DOCUMENTS

4,671,479 6/1987 Johnson et al. 248/173
5,522,300 6/1996 Cheatwood 248/188.5

Primary Examiner—Antoine Duval Davis
Attorney, Agent, or Firm—Young & Basile, P.C.

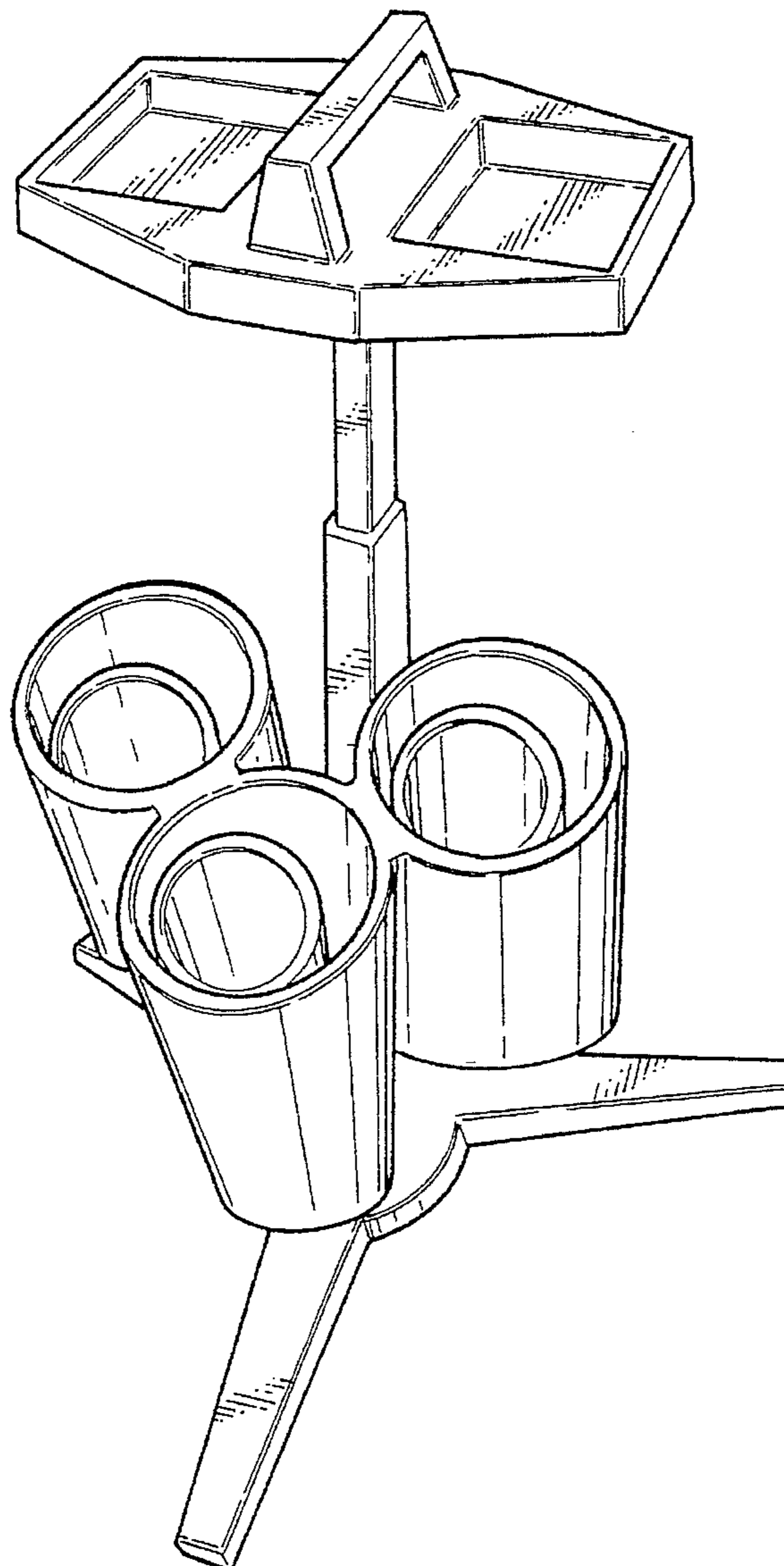
[57] **CLAIM**

The ornamental design for a stand for tools and accessories, as shown.

DESCRIPTION

FIG. 1 is a perspective top view showing one side; FIG. 2 is a perspective side view thereof; FIG. 3 is a perspective side view thereof; FIG. 4 is a perspective underside view thereof; and, FIG. 5 is a perspective top view thereof.

1 Claim, 2 Drawing Sheets



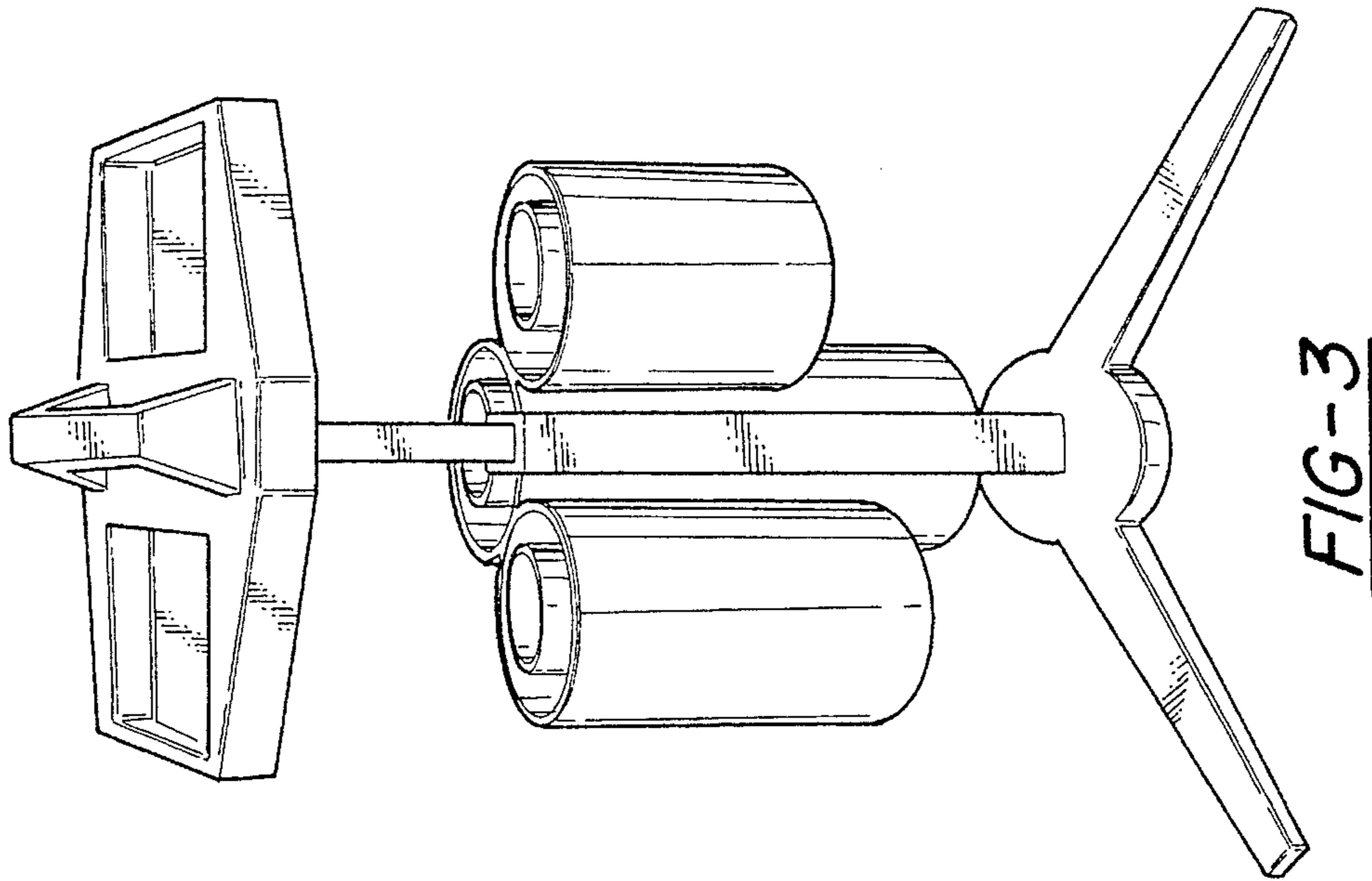


FIG-3

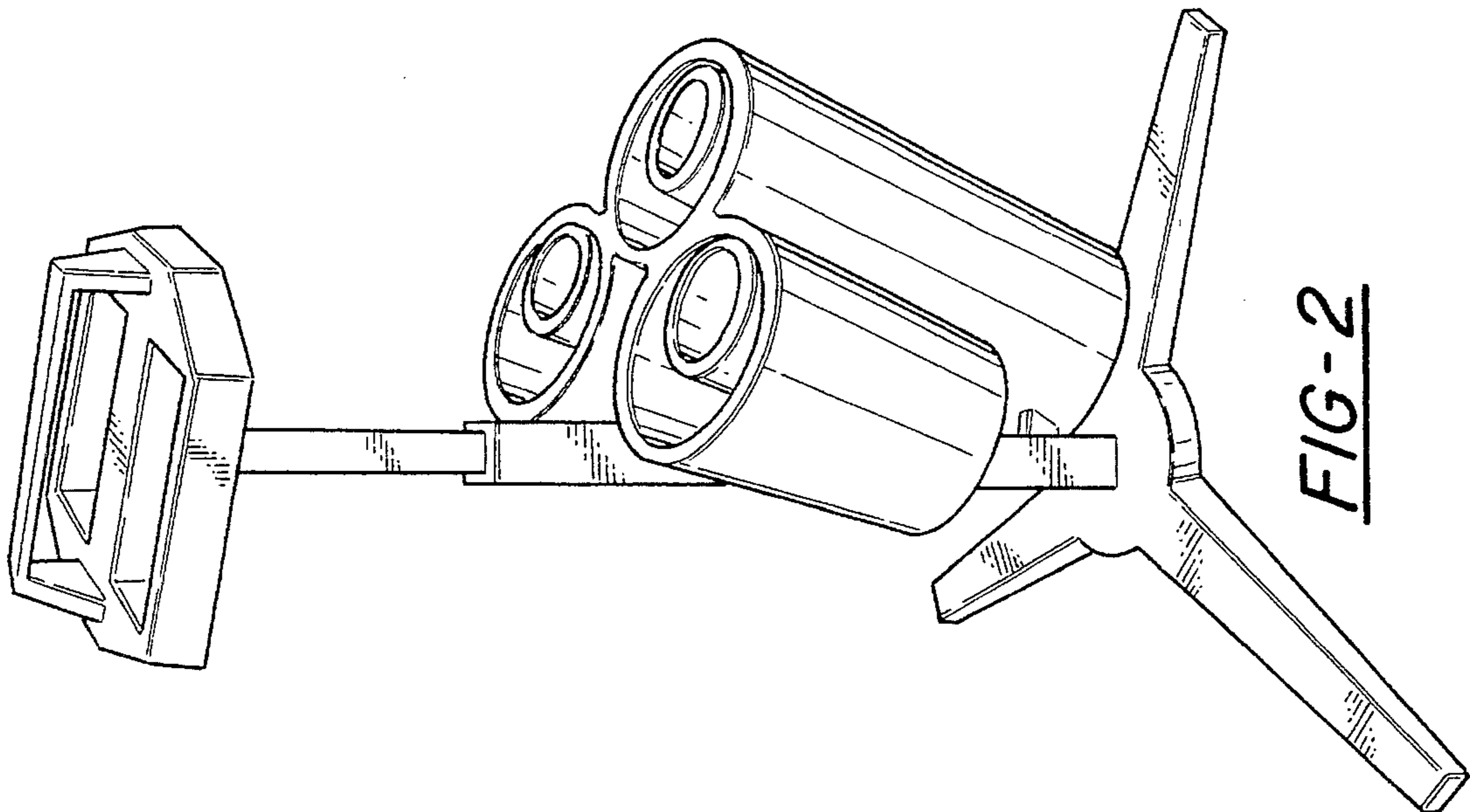


FIG-2

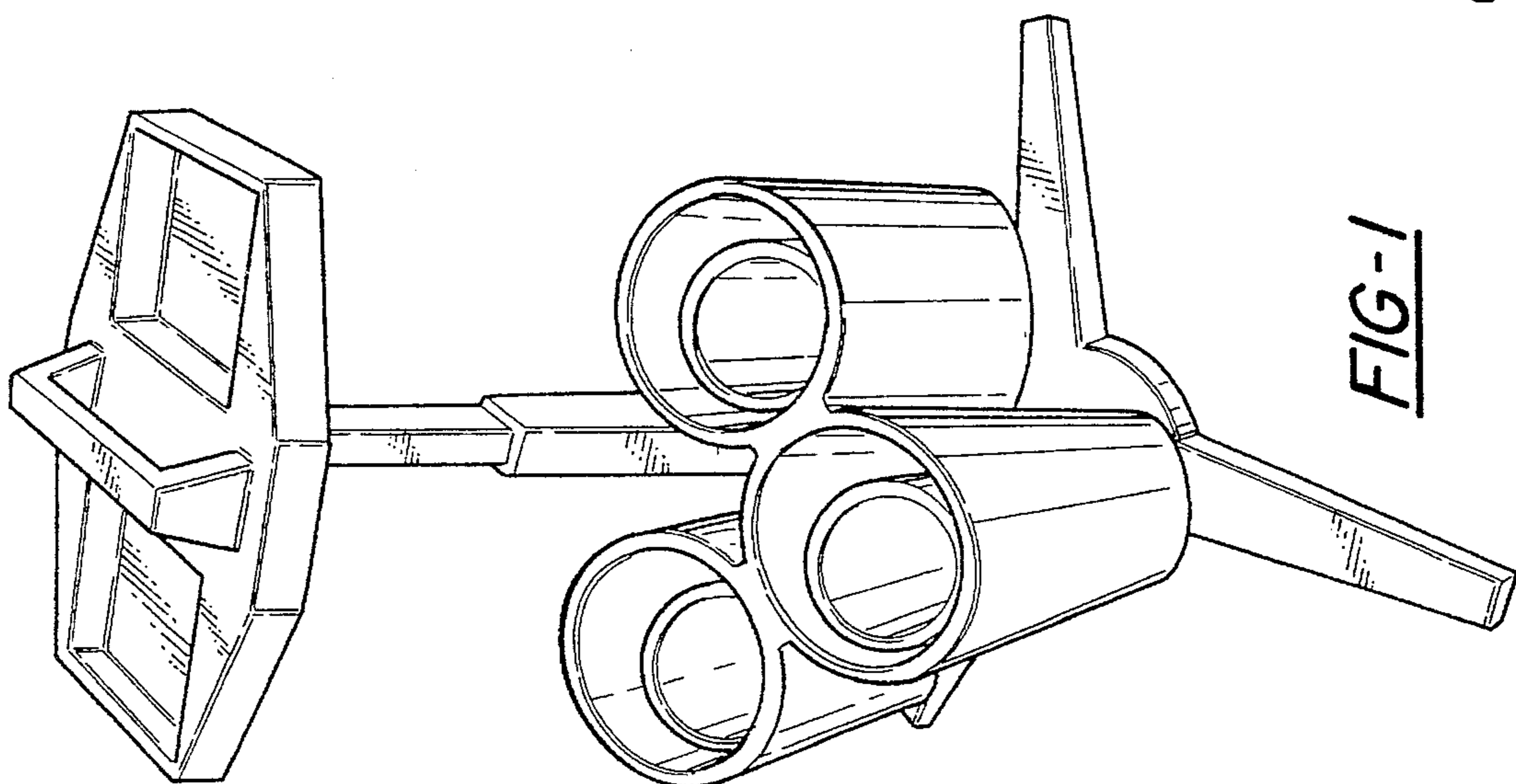


FIG-1

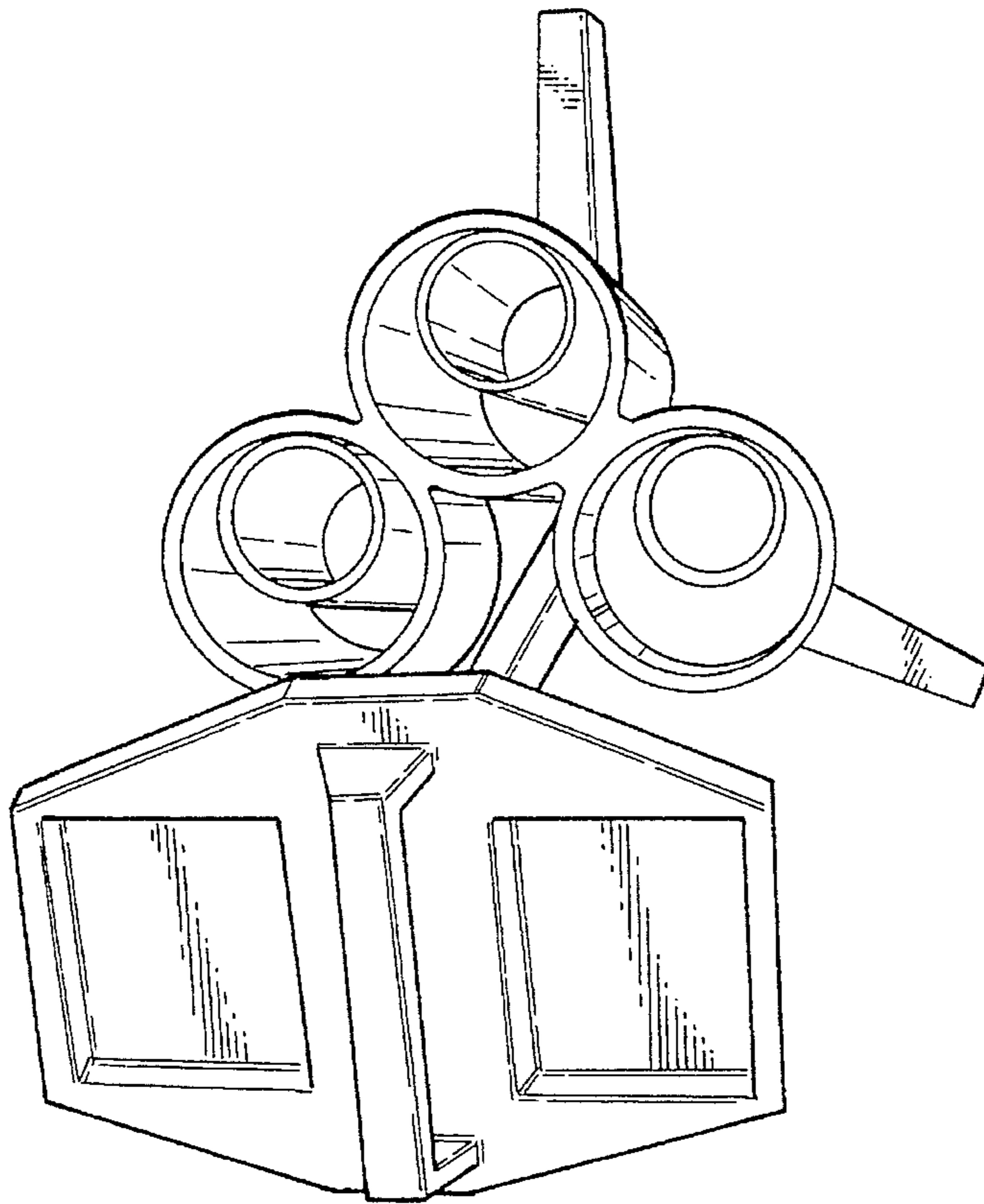


FIG-5

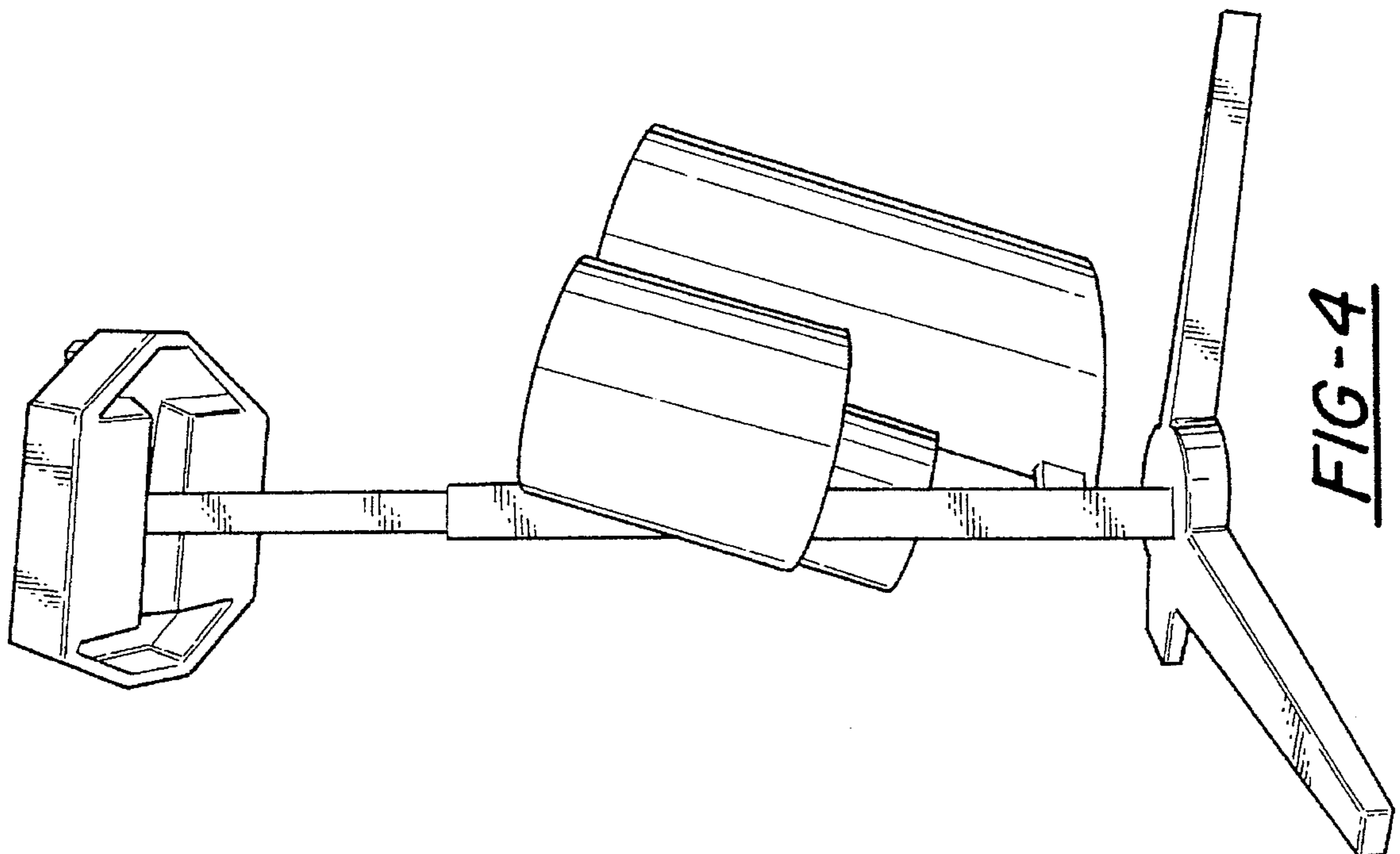


FIG-4