



US00D377592S

United States Patent [19]
Hattori

[11] **Patent Number: Des. 377,592**
[45] **Date of Patent: **Jan. 28, 1997**

[54] **PNEUMATIC NAILING MACHINE**

[75] Inventor: **Takeo Hattori**, Tokyo, Japan

[73] Assignee: **Max Co., Ltd.**, Tokyo, Japan

[**] Term: **14 Years**

[21] Appl. No.: **44,542**

[22] Filed: **Sep. 26, 1995**

[30] **Foreign Application Priority Data**

Mar. 27, 1995 [JP] Japan 7-8247

[52] **U.S. Cl.** **D8/69; D8/68**

[58] **Field of Search** **D8/49, 50, 61,**
D8/64, 68, 69; 81/57.37, 177.4; 227/8,
10, 114, 115, 120, 125, 126, 127, 130,
131, 132

[56] **References Cited**

U.S. PATENT DOCUMENTS

D. 211,207	5/1968	Bader	D8/69
D. 316,022	4/1991	Moraht	D8/69
D. 323,964	2/1992	Ogawa et al.	D8/69
D. 334,329	3/1993	Ogawa et al.	D8/69
D. 337,252	7/1993	Tsuru et al.	D8/69
D. 338,819	8/1993	Ohkochi	D8/69
4,570,840	2/1986	Bull	227/8

FOREIGN PATENT DOCUMENTS

6244001 10/1985 Japan D8/61 X

OTHER PUBLICATIONS

Hitachi® Roofing Nailer Model NV45AB, Hitachi® Electric and Pneumatic Power Tools Brochure, date unknown. Hitachi® Coil Nailer Model NV50AE, Hitachi® Electric and Pneumatic Power Tools Brochure, date unknown.

Primary Examiner—B. J. Bullock

Assistant Examiner—R. Spear

Attorney, Agent, or Firm—Cushman Darby & Cushman IP Group of Pillsbury Madison & Sutro LLP

[57] **CLAIM**

The ornamental design for a pneumatic nailing machine, as shown and described.

DESCRIPTION

FIG. 1 is a front perspective view of a pneumatic nailing machine showing my new design; FIG. 2 is a front view thereof; FIG. 3 is a rear view thereof; FIG. 4 is a left side view thereof; FIG. 5 is a right side view thereof; FIG. 6 is a top plan view thereof; and, FIG. 7 is a bottom view thereof.

1 Claim, 5 Drawing Sheets

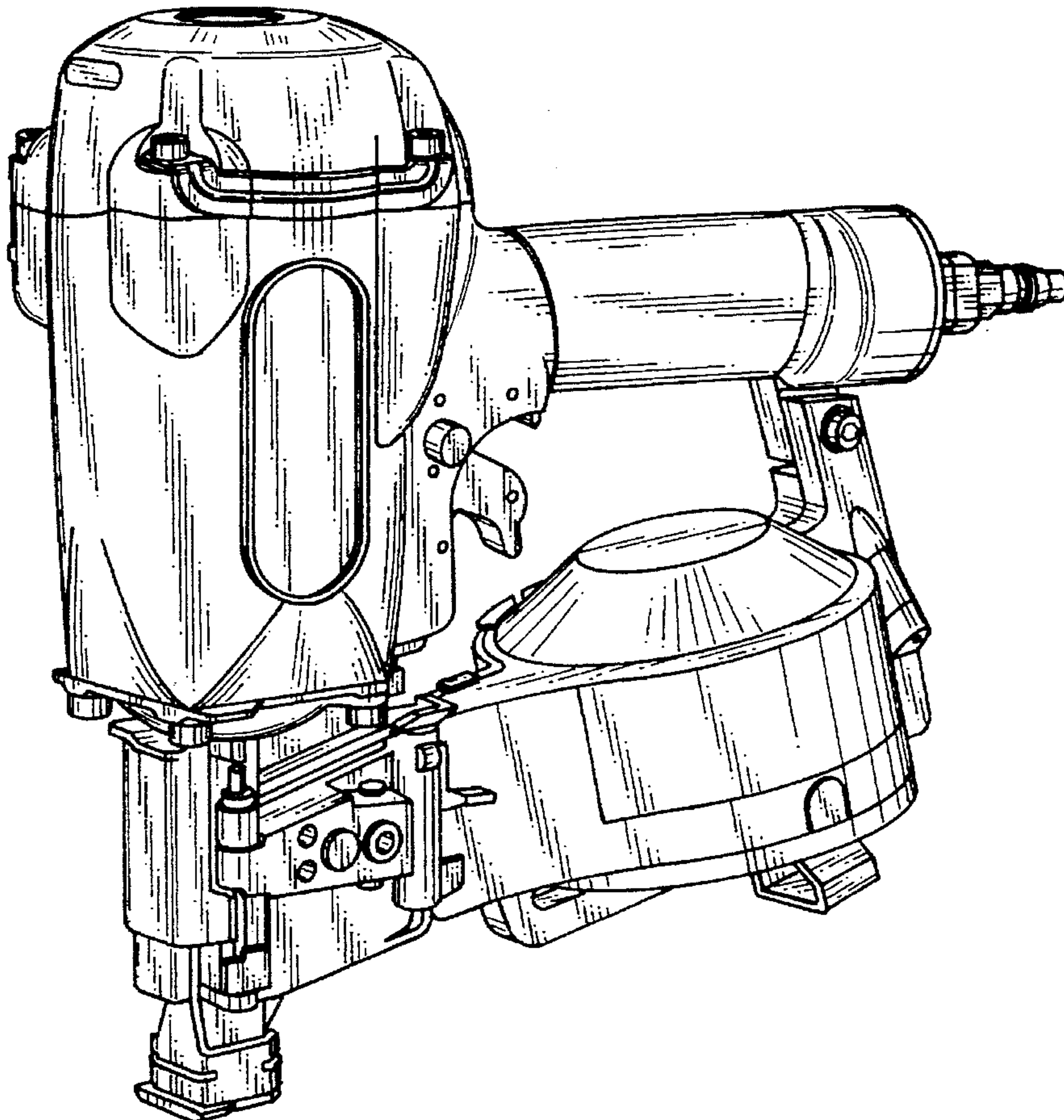


Fig. 1

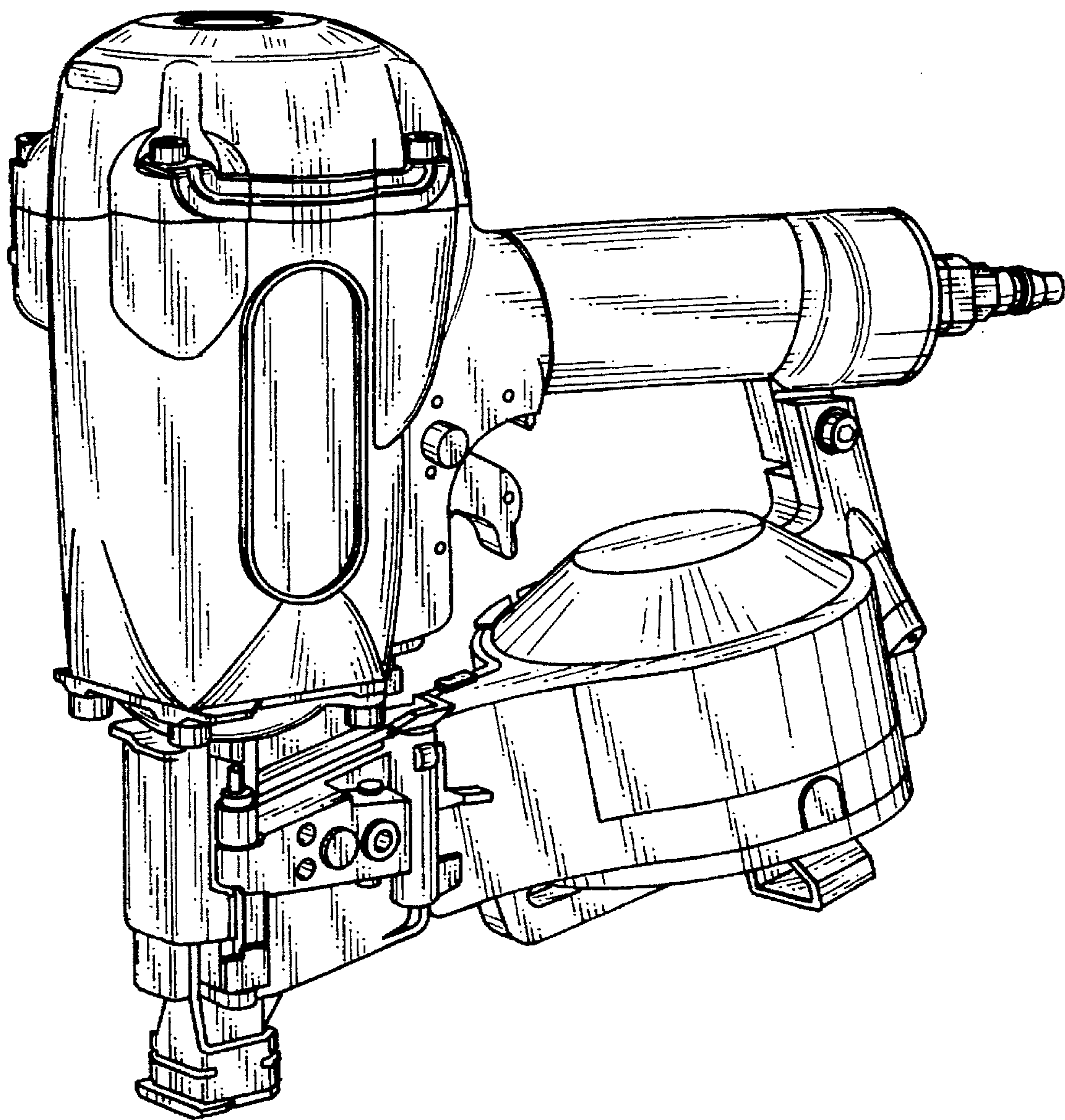


Fig. 2

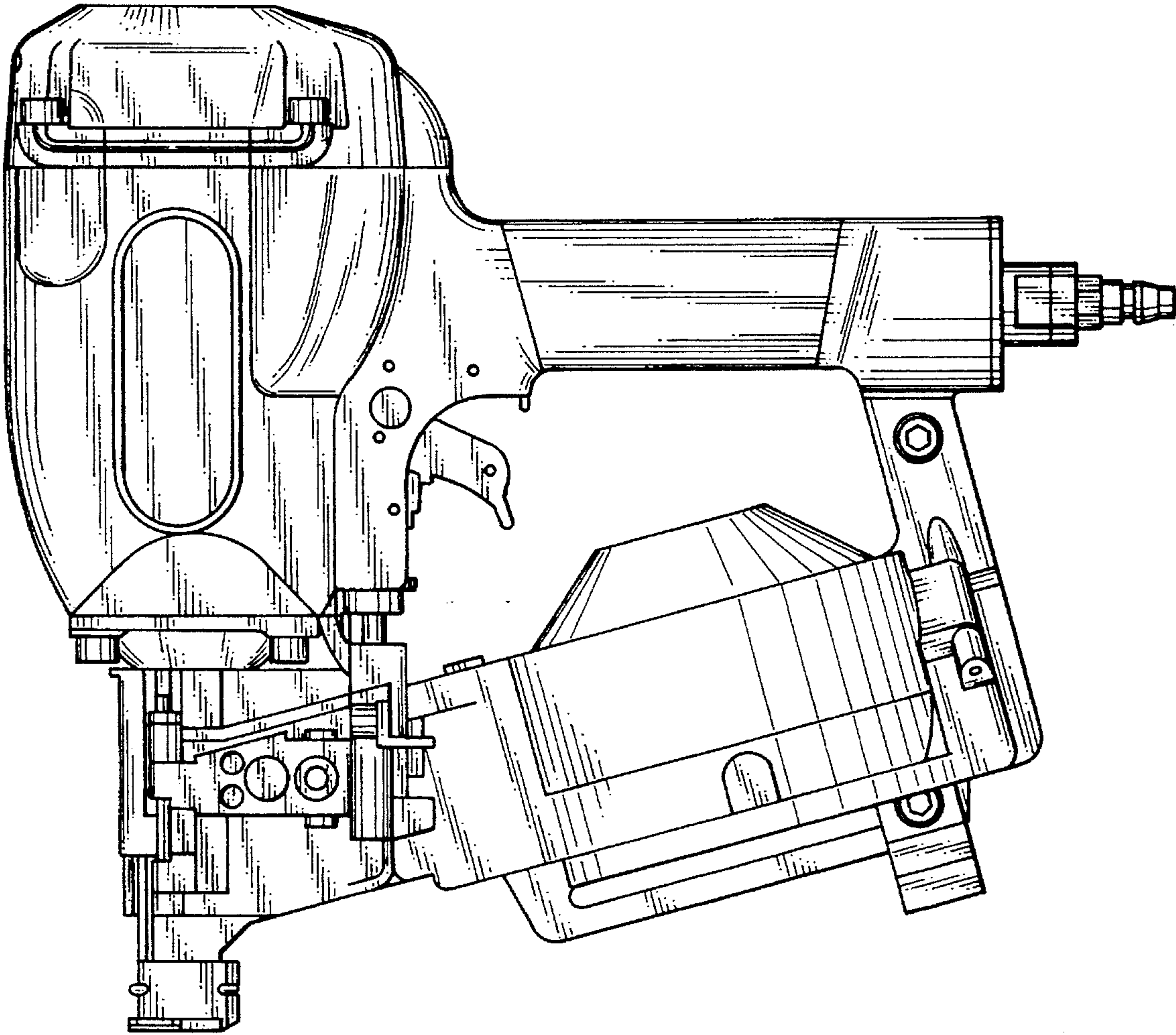


Fig. 3

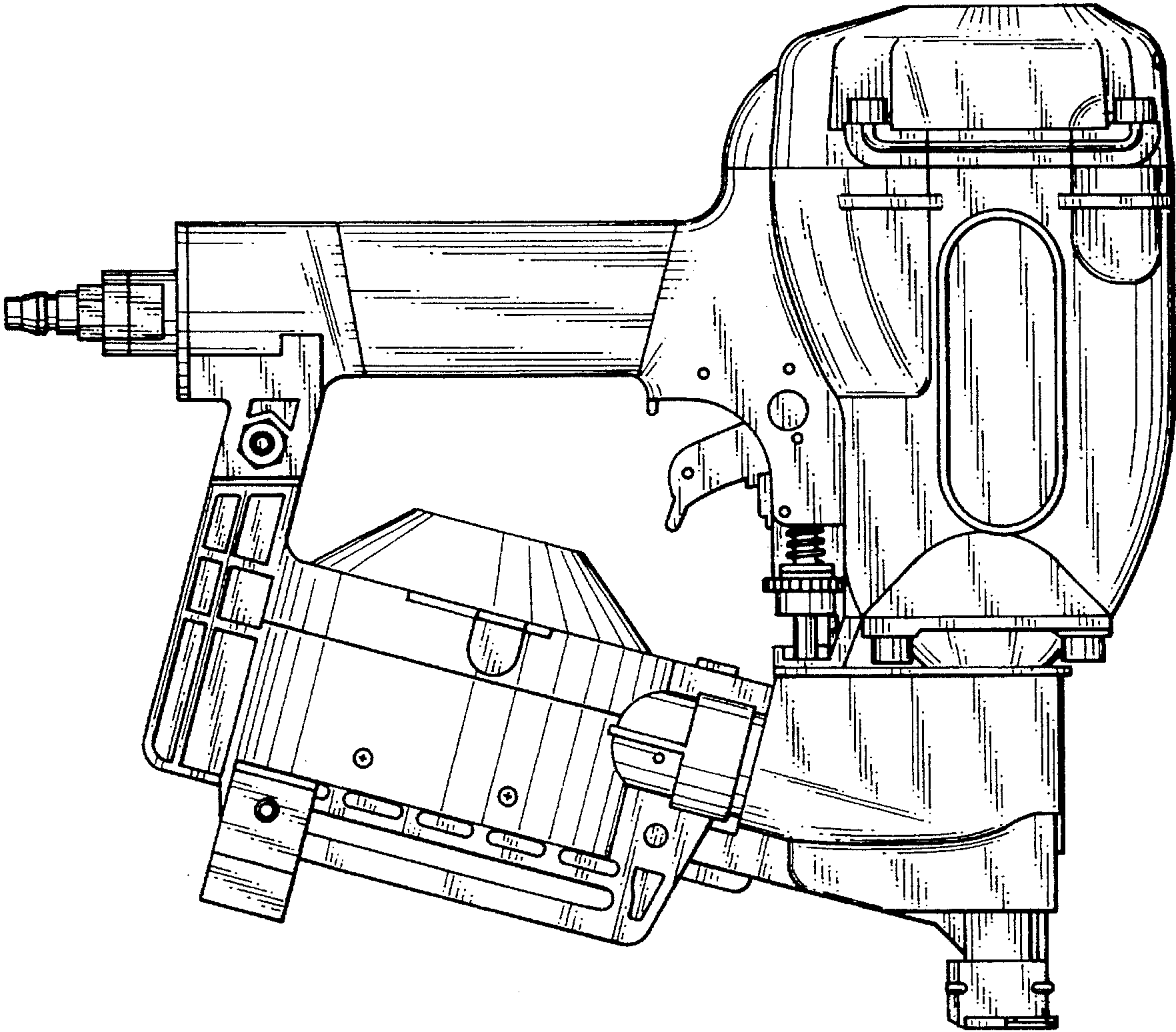


Fig. 4

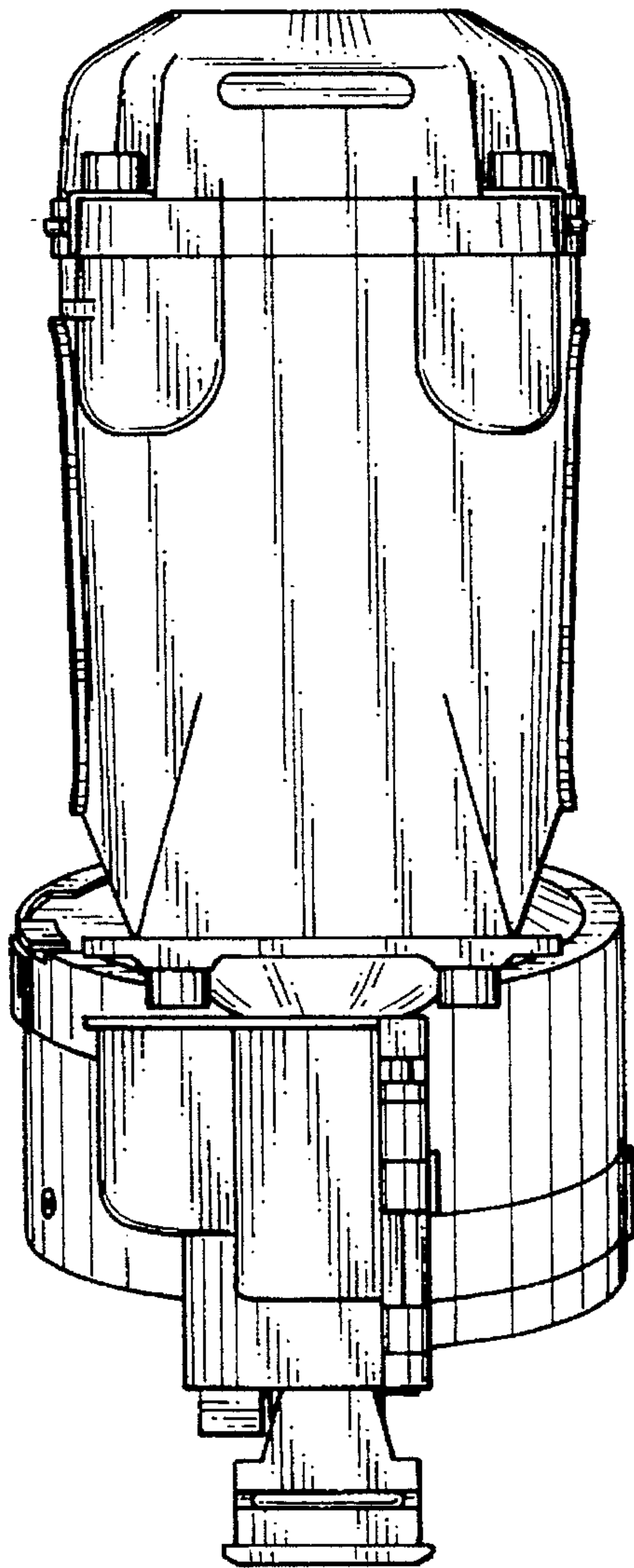


Fig. 5

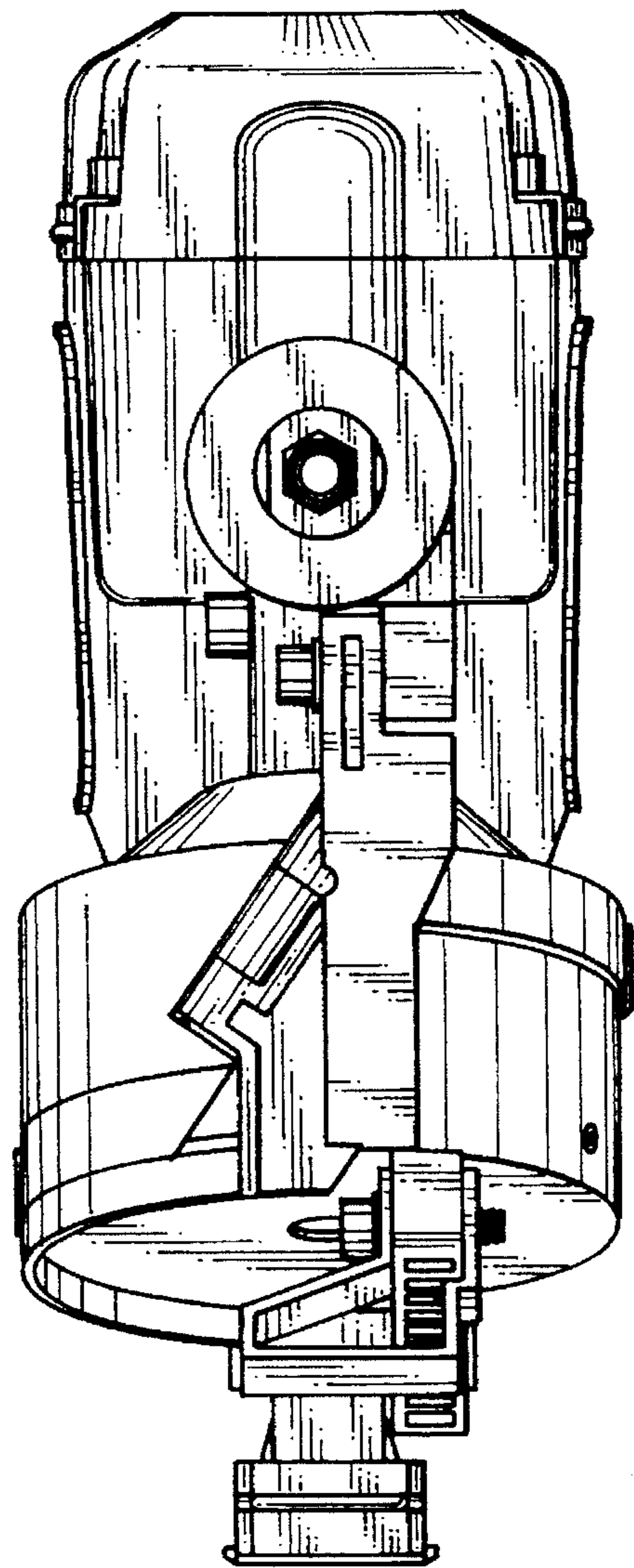


Fig. 6

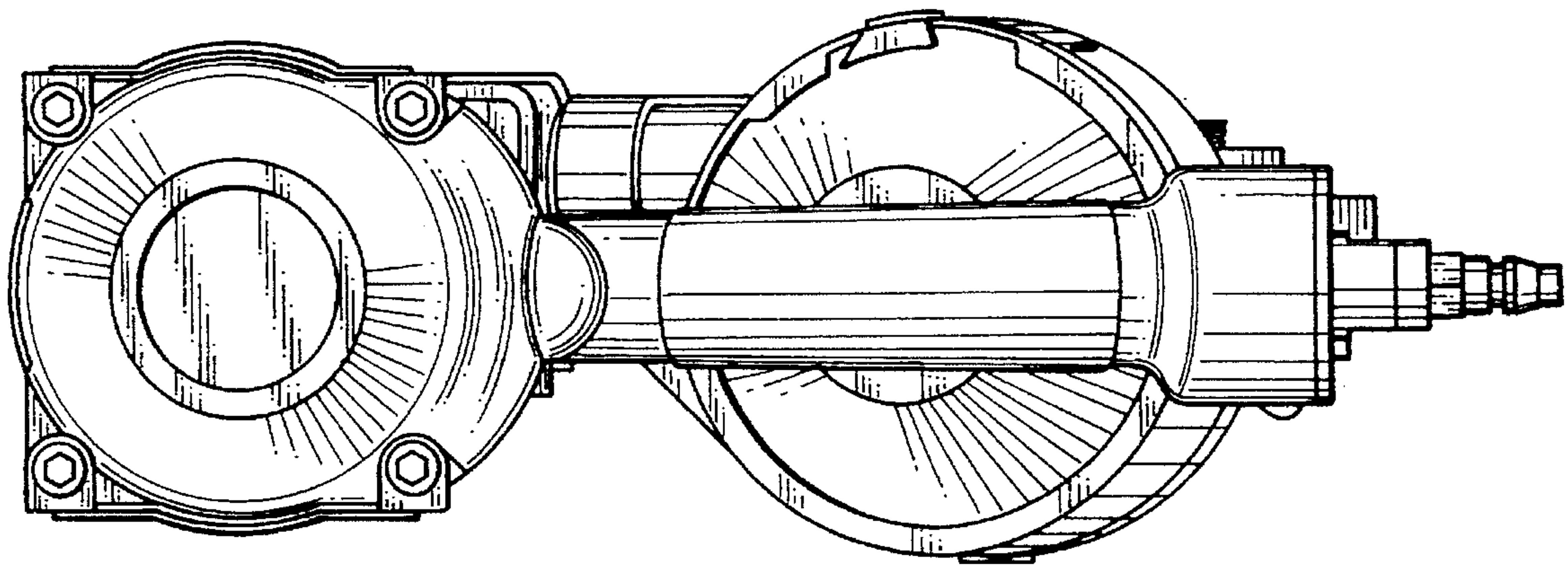


Fig. 7

