



US00D377591S

**United States Patent** [19]  
**Hattori**

[11] **Patent Number: Des. 377,591**

[45] **Date of Patent: \*\*Jan. 28, 1997**

[54] **PORTABLE ELECTRIC DRIVER**

3,602,318 8/1971 Slany ..... 173/170

[75] Inventor: **Takeo Hattori**, Tokyo, Japan

[73] Assignee: **Max Co., Ltd.**, Tokyo, Japan

[\*\*] Term: **14 Years**

[21] Appl. No.: **37,713**

[22] Filed: **Apr. 14, 1995**

[30] **Foreign Application Priority Data**

Oct. 14, 1994 [JP] Japan ..... 6-31273

[52] **U.S. Cl.** ..... **D8/68**

[58] **Field of Search** ..... D8/14.1, 61, 64,  
D8/67, 68; 72/64, 299; 81/54, 57.11, 57.13,  
57.14, 177.1, 177.4, 429; 173/69, 70, 170

[56] **References Cited**

**U.S. PATENT DOCUMENTS**

D. 82,725	12/1930	Butler	.....	D8/14.1
D. 279,074	6/1985	Honeyman et al.	.....	D8/14.1
D. 316,020	4/1991	Fushiya et al.	.....	D8/61
D. 328,556	8/1992	Fushiya et al.	.....	D8/68
2,730,635	1/1956	McCabe	.....	173/170

**OTHER PUBLICATIONS**

Polygun© TC glue applicator gun, *New Equipment Digest*, May 1988, p. 100.

*Primary Examiner*—B. J. Bullock  
*Assistant Examiner*—Robert M. Spear  
*Attorney, Agent, or Firm*—Cushman Darby & Cushman, L.L.P.

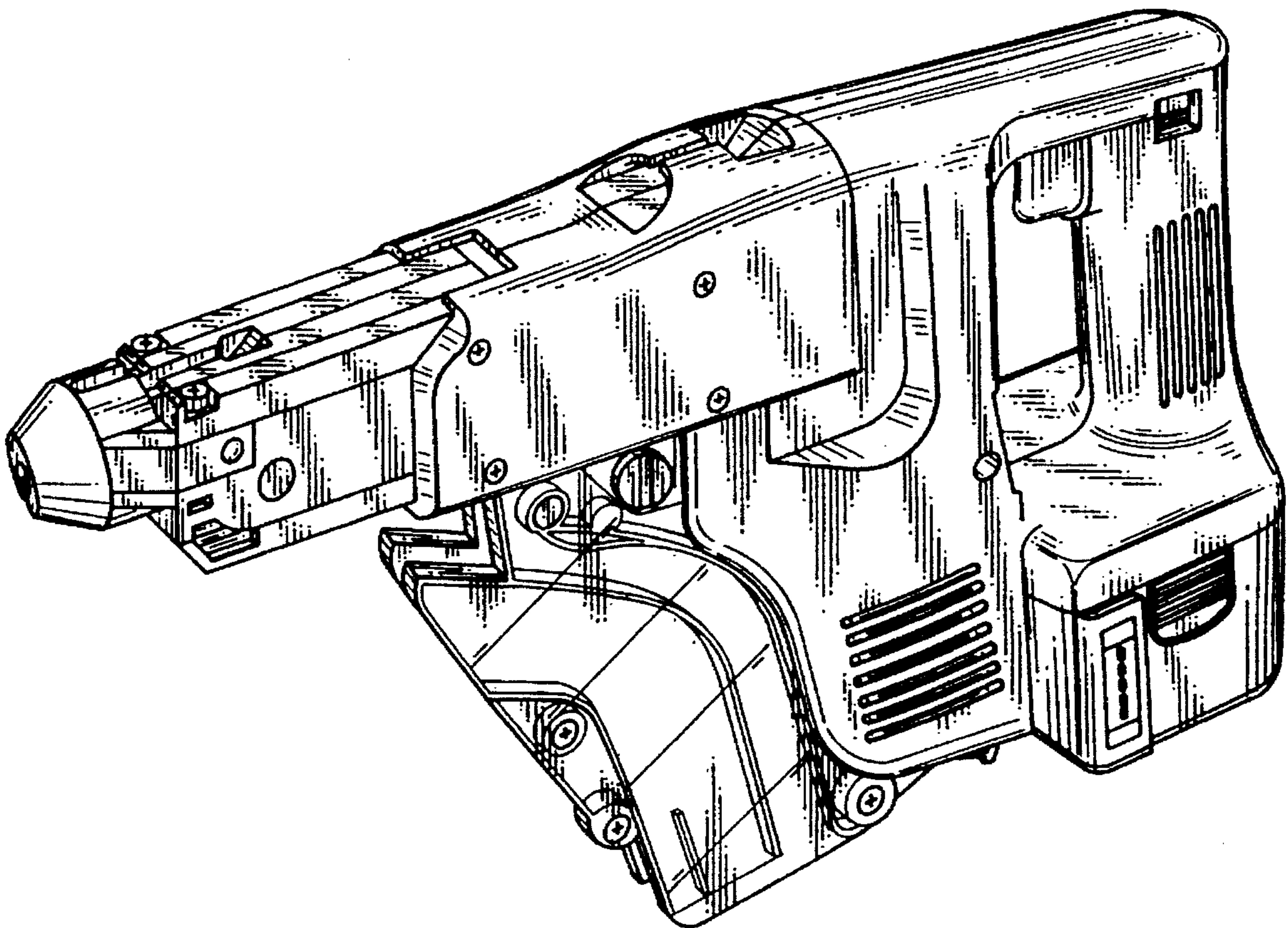
[57] **CLAIM**

The ornamental design for a portable electric driver, as shown and described.

**DESCRIPTION**

FIG. 1 is a front perspective view of a portable electric driver showing my new design;  
FIG. 2 is a front view thereof;  
FIG. 3 is a rear view thereof;  
FIG. 4 is a top plan view thereof;  
FIG. 5 is a bottom view thereof;  
FIG. 6 is a left side view thereof; and,  
FIG. 7 is a right side view thereof.

**1 Claim, 5 Drawing Sheets**



*Fig. 1*

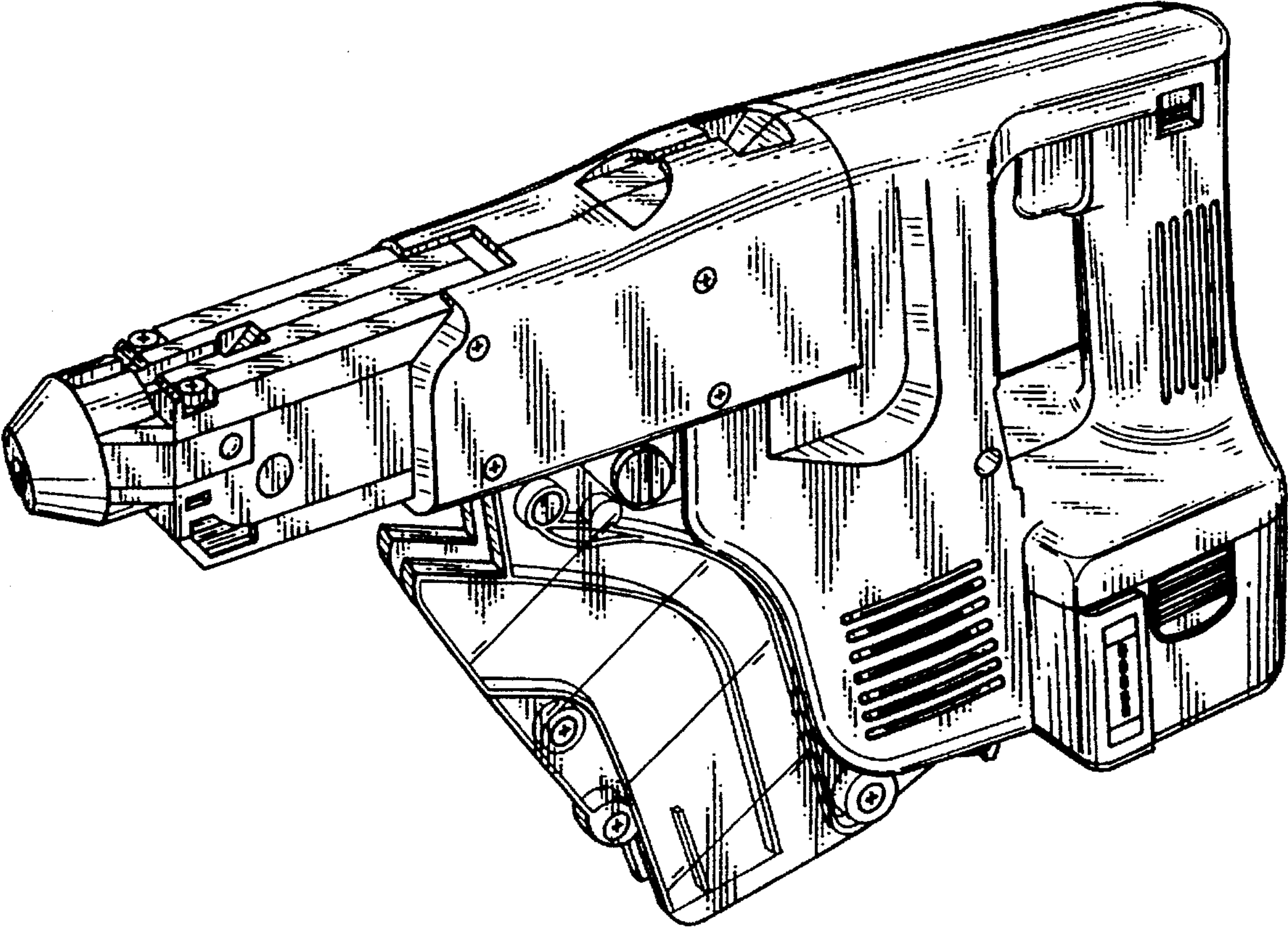
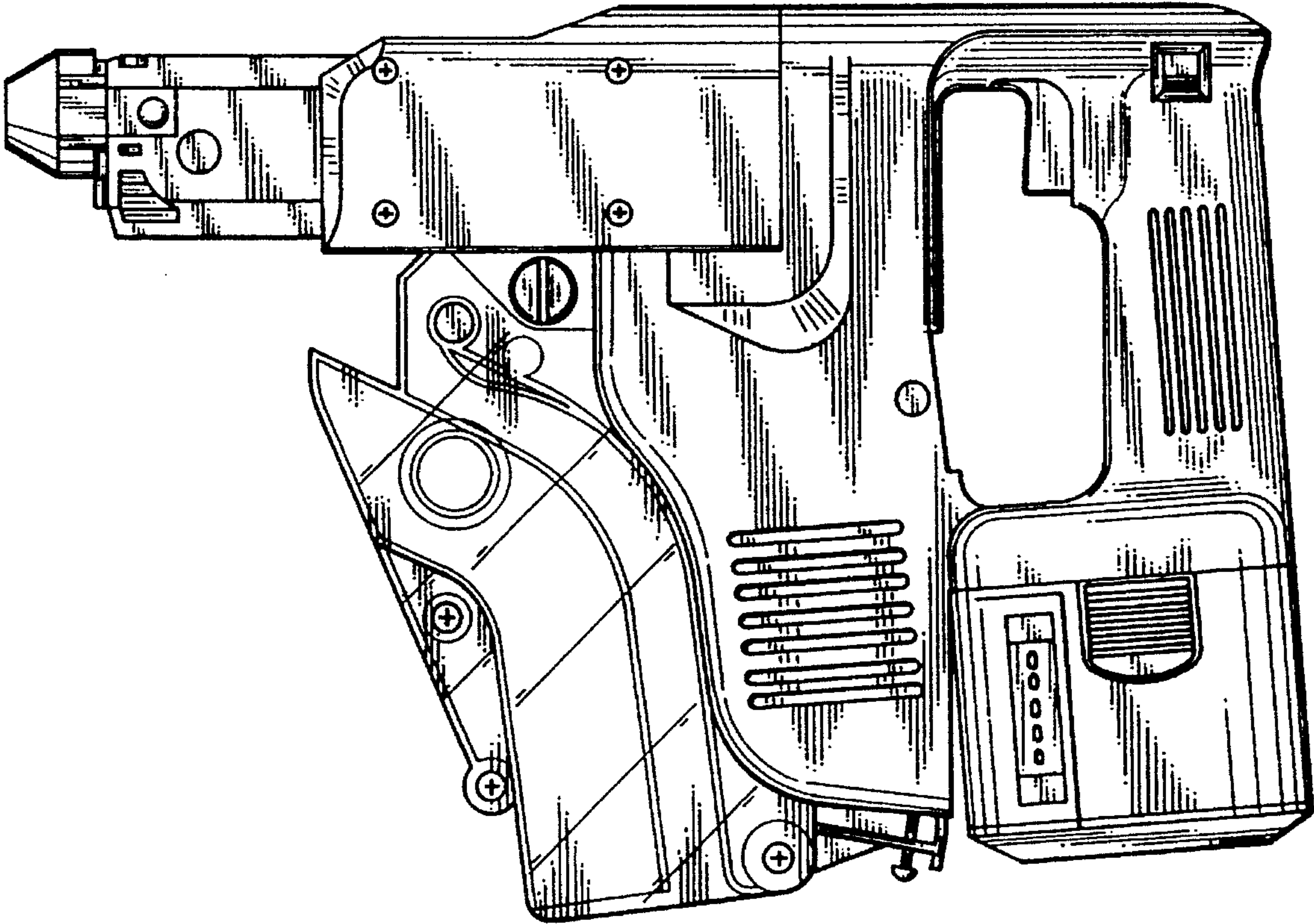


Fig. 2





*Fig. 3*

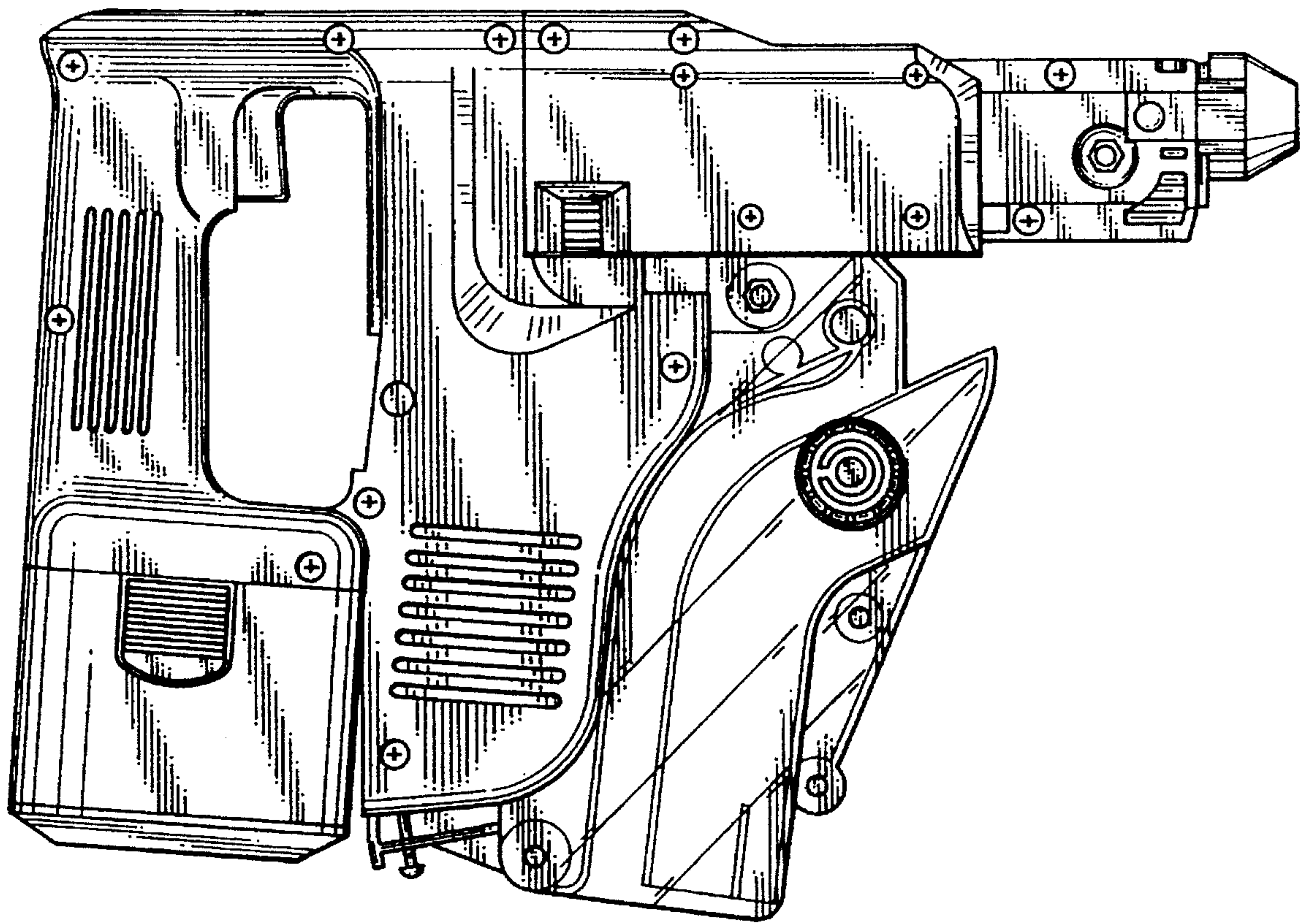


Fig. 4

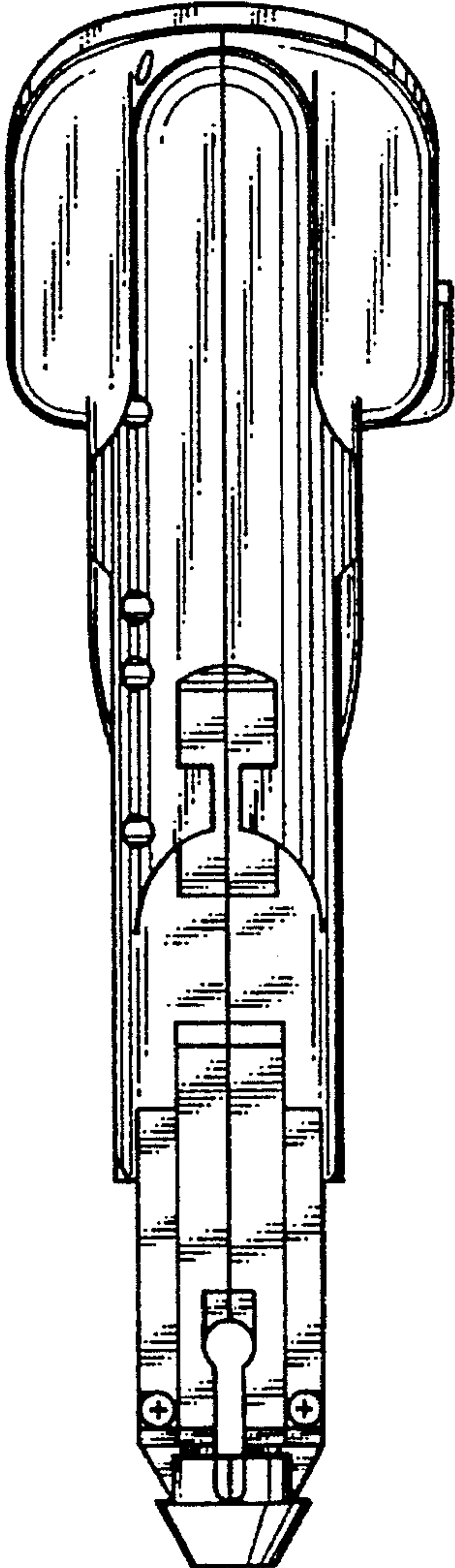
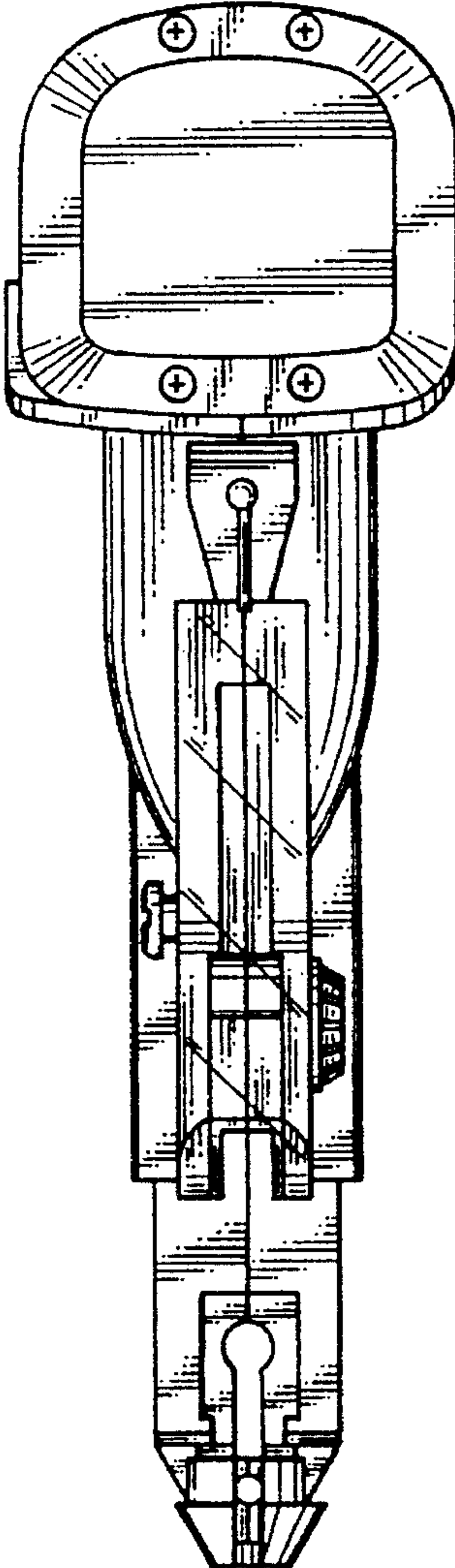
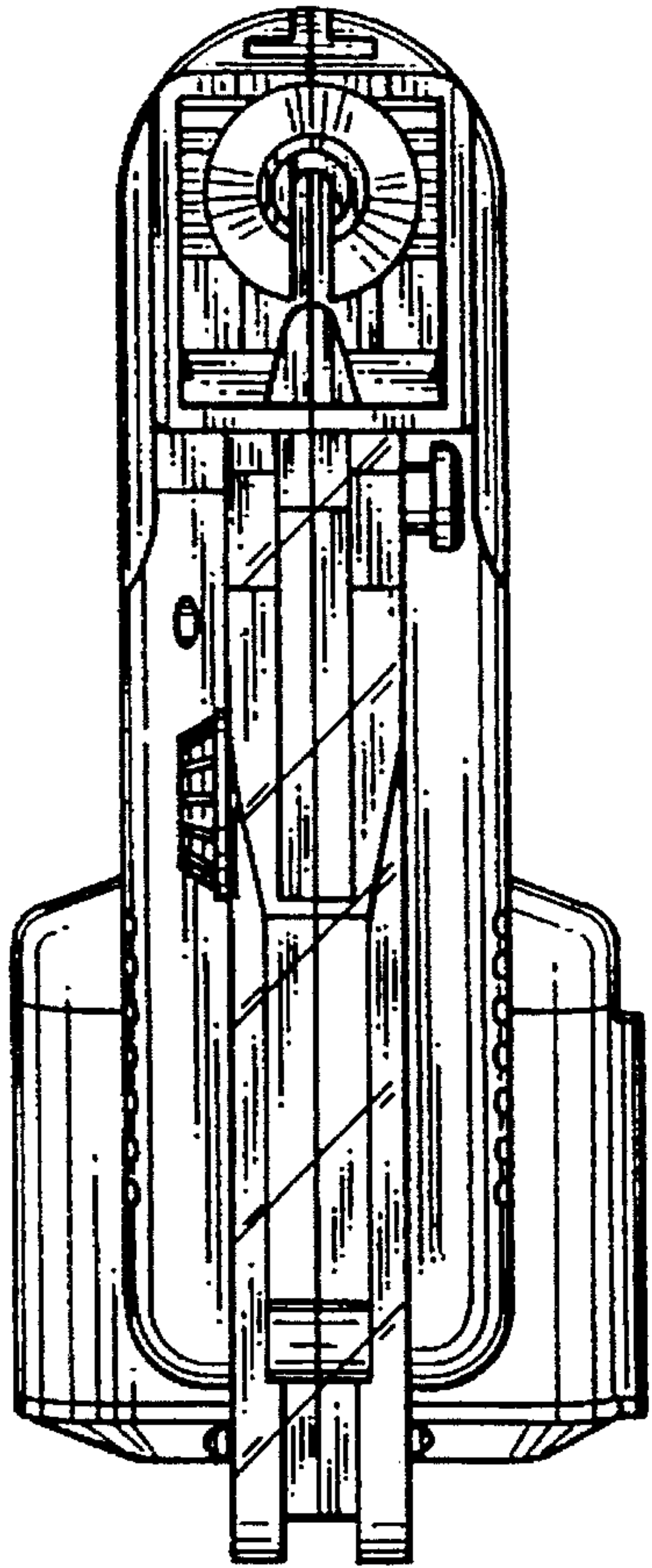


Fig. 5



*Fig. 6*



*Fig. 7*

