



US00D377590S

United States Patent [19]
Lai

[11] **Patent Number: Des. 377,590**

[45] **Date of Patent: **Jan. 28, 1997**

[54] **NAIL STAPLER**

[76] **Inventor: Min-Hsing Lai, P.O. Box 1750, Taichung, Taiwan**

[**] **Term: 14 Years**

[21] **Appl. No.: 34,663**

[22] **Filed: Feb. 9, 1995**

[52] **U.S. Cl. D8/68; D8/49; D8/69**

[58] **Field of Search D8/48-9, 61-2, D8/68-9; 81/433, 434; 227/123, 130, 120**

[56] **References Cited**

U.S. PATENT DOCUMENTS

D. 348,382	7/1994	Kaiser	D8/70
3,853,257	12/1974	Perkins	227/123
5,238,168	8/1993	Oda	227/123
5,368,213	11/1994	Massari, Jr.	227/123

Primary Examiner—James M. Gandy
Assistant Examiner—R. Spear
Attorney, Agent, or Firm—Charles E. Baxley, Esq.

[57] **CLAIM**

The ornamental design for a nail stapler, as shown and described.

DESCRIPTION

FIG. 1 shows a front elevational view of the nail stapler showing my new design;

FIG. 2 shows a left elevational view thereof;

FIG. 3 shows a right elevational view thereof;

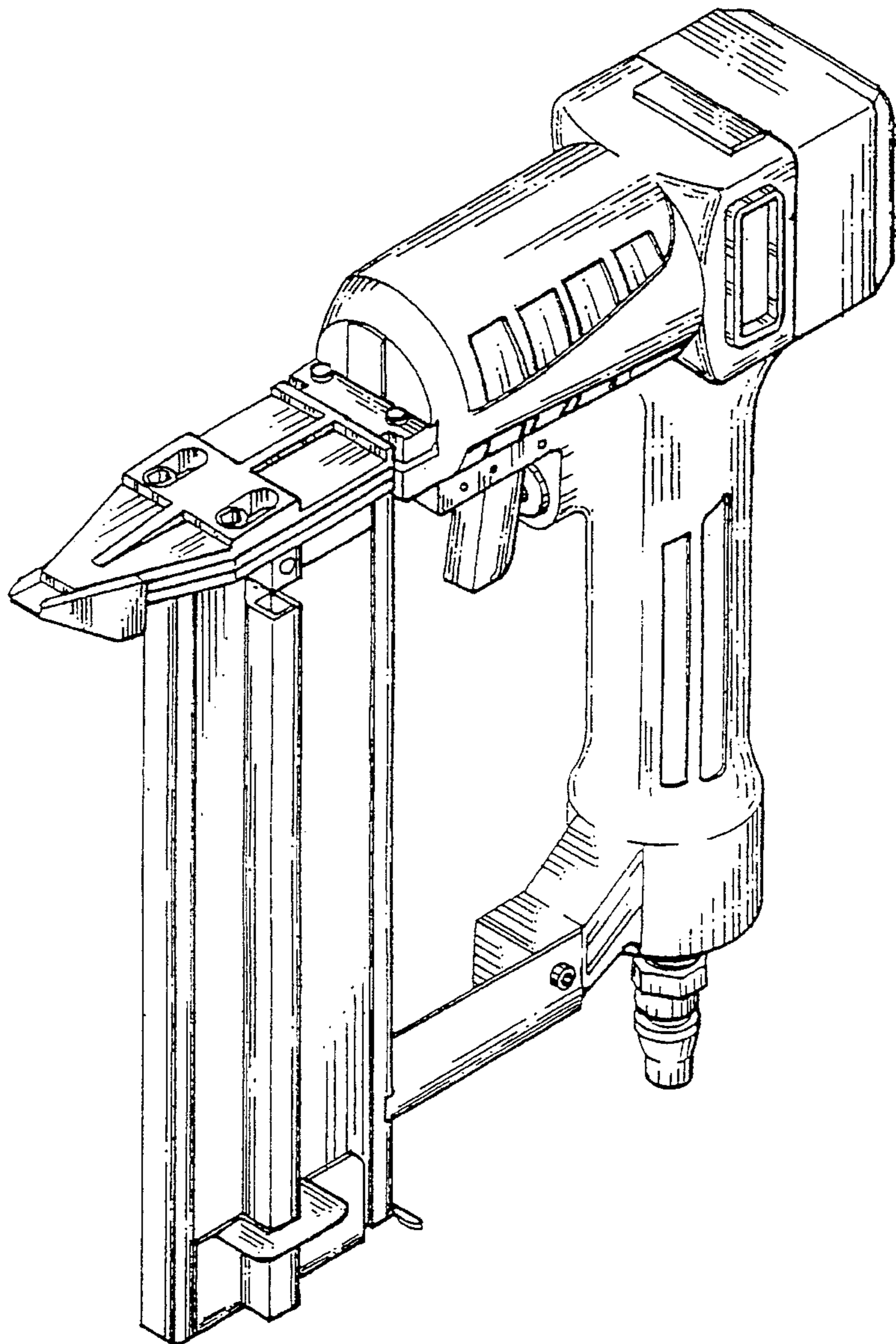
FIG. 4 shows a top plan view thereof;

FIG. 5 shows a bottom plan view thereof;

FIG. 6 shows a rear elevational view thereof; and,

FIG. 7 shows a perspective view thereof.

1 Claim, 5 Drawing Sheets



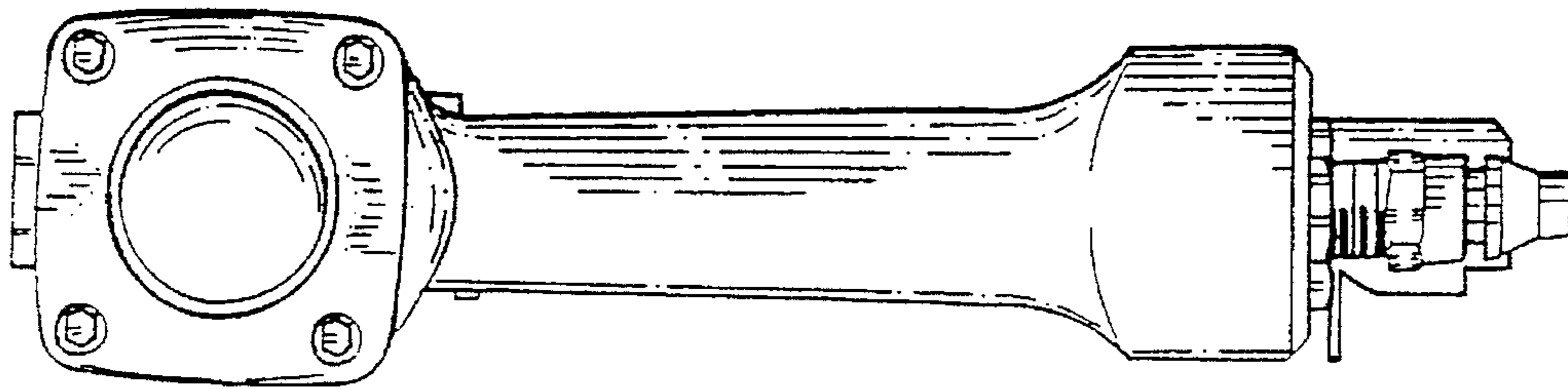


FIG. 6

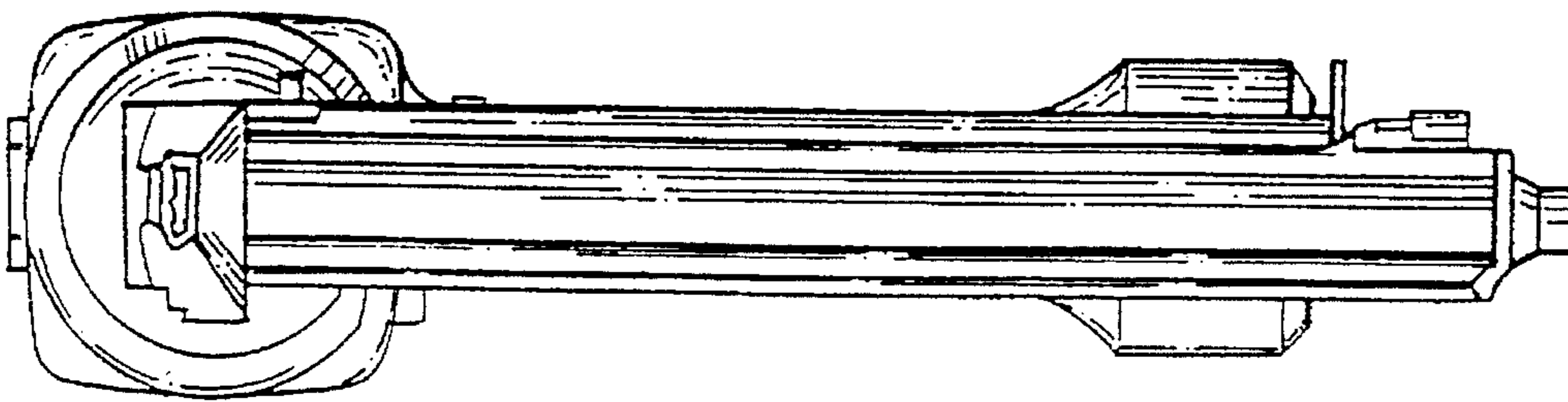


FIG. 1

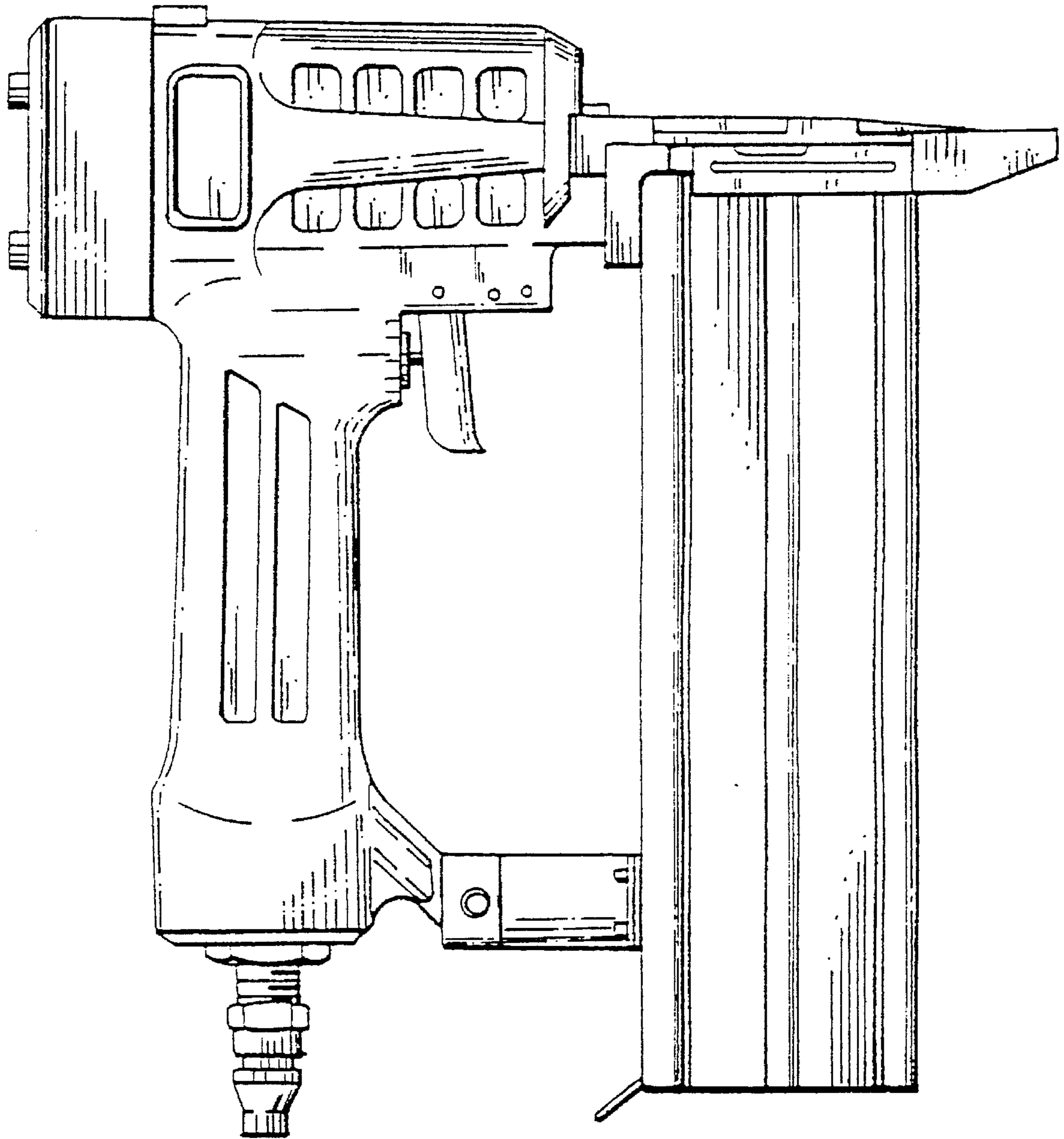


FIG. 2

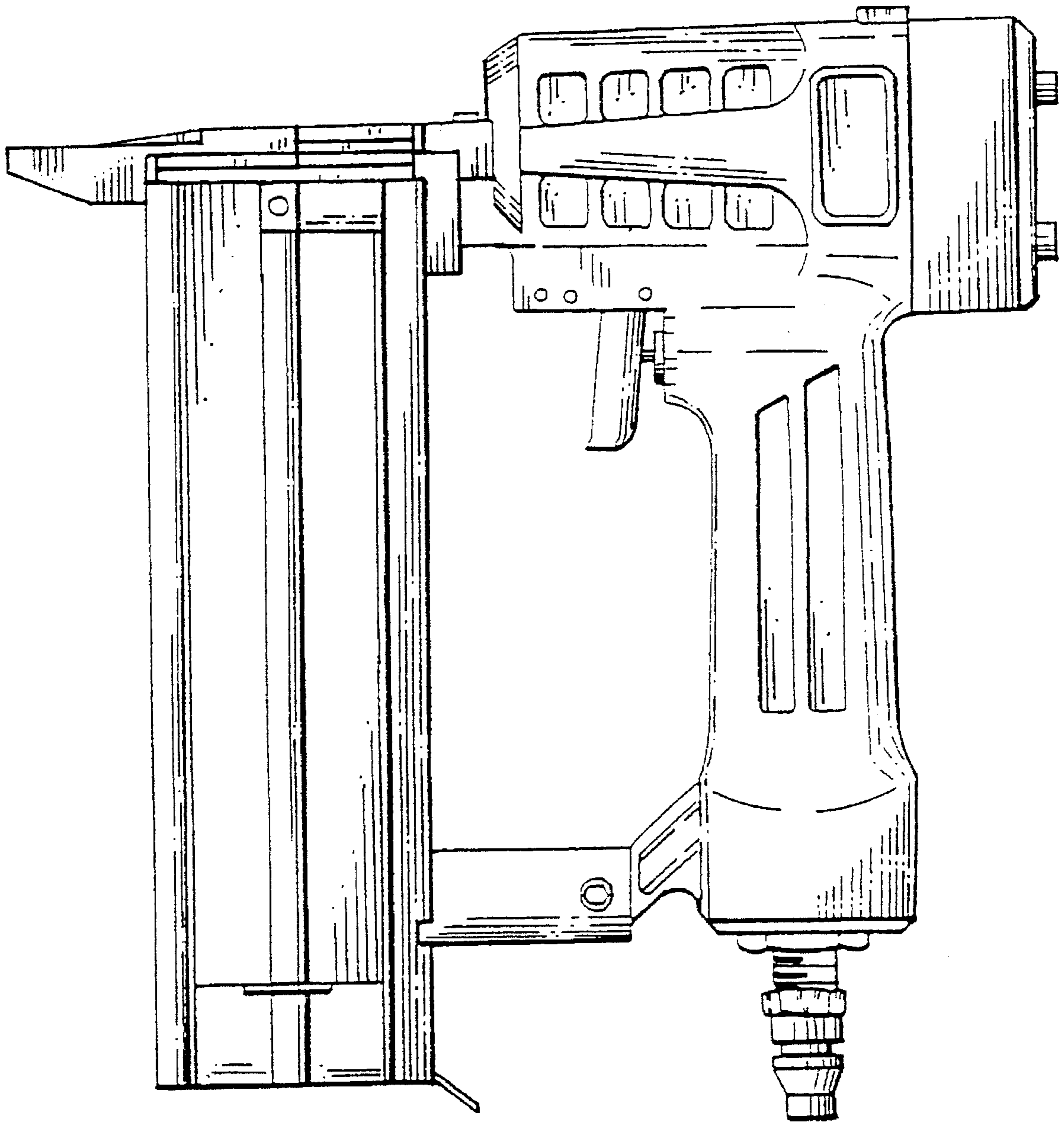


FIG. 3

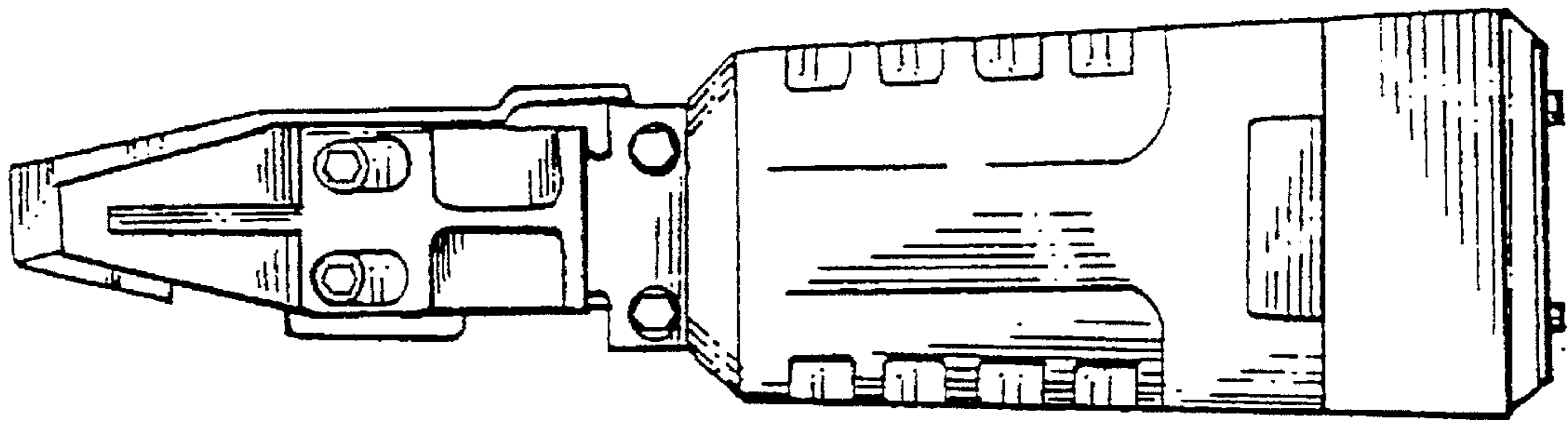


FIG. 4

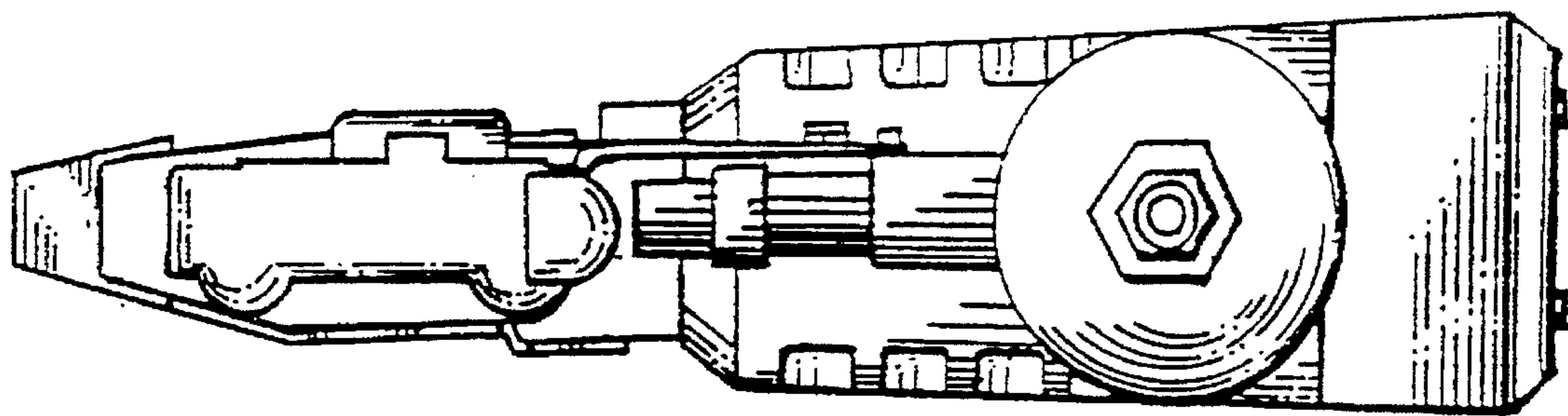


FIG. 5

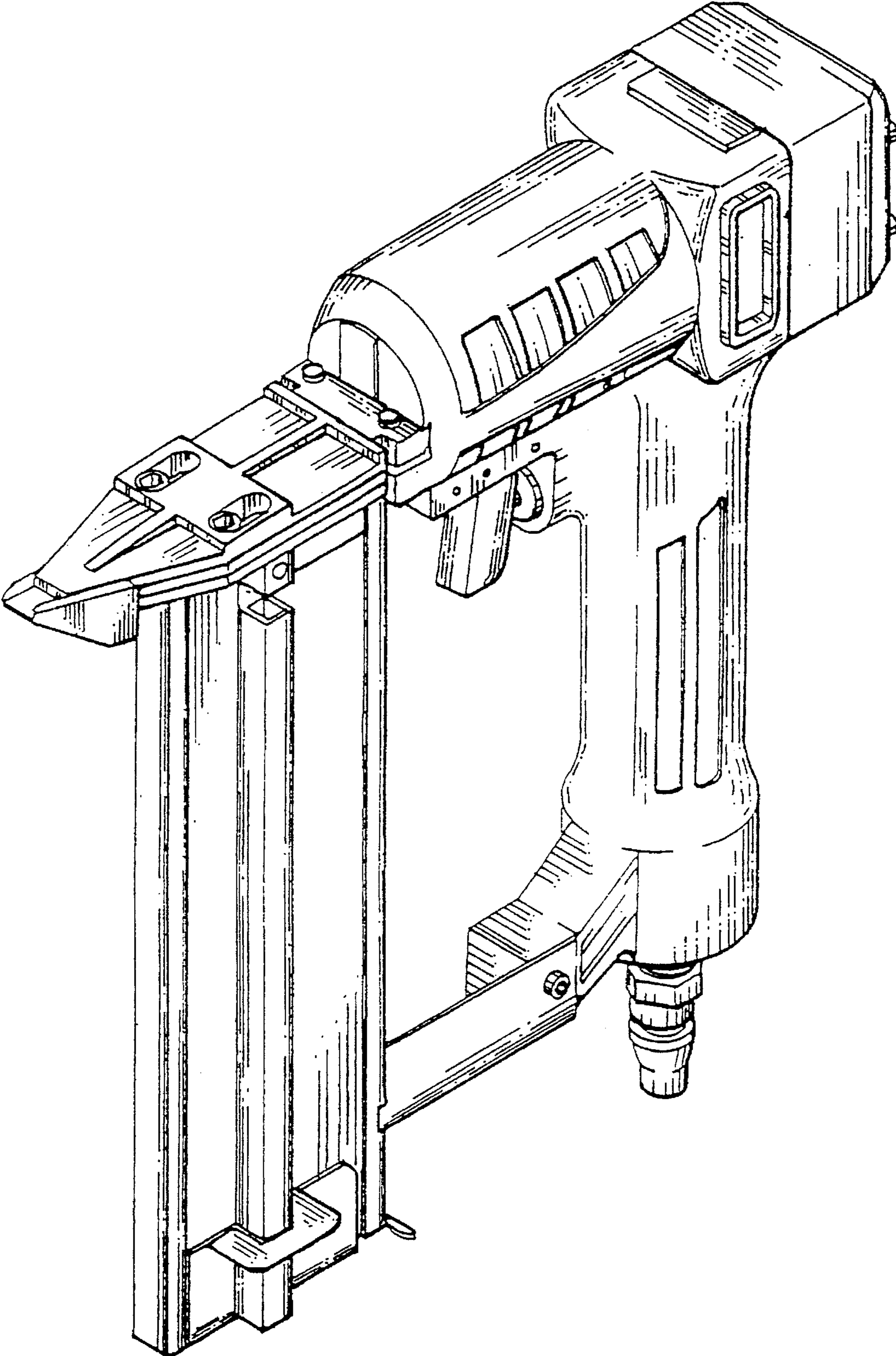


FIG. 7