



US00D377578S

# United States Patent [19]

Barthelemy et al.

[11] Patent Number: **Des. 377,578**

[45] Date of Patent: **\*\*Jan. 28, 1997**

[54] **TOASTER**

[75] Inventors: **Matt Barthelemy, Burlingame; Sonja Schiefer, Palo Alto, both of Calif.**

[73] Assignee: **Sunbeam Products, Inc., Fort Lauderdale, Fla.**

[\*\*] Term: **14 Years**

[21] Appl. No.: **42,441**

[22] Filed: **Aug. 10, 1995**

[52] U.S. Cl. .... **D7/330**

[58] Field of Search ..... D7/323, 328-330, D7/390; 99/327, 341, 372, 385, 389, 391, 392

[56] **References Cited**

**U.S. PATENT DOCUMENTS**

D. 99,287	4/1936	Knapp	.....	D7/328
D. 296,290	6/1988	Yamanaka	.....	D7/330
D. 310,004	8/1990	Storsberg	.....	D7/330 X
D. 338,131	8/1993	Stützer	.....	D7/328 X

1,656,848	1/1928	Wyatt	.....	D7/328 X
1,762,176	6/1930	Kuhn et al.	.....	99/391
4,345,513	8/1982	Holt	.....	D7/330

*Primary Examiner*—Nelson C. Holtje  
*Assistant Examiner*—Caron D. Veynar  
*Attorney, Agent, or Firm*—Michael J. Kline

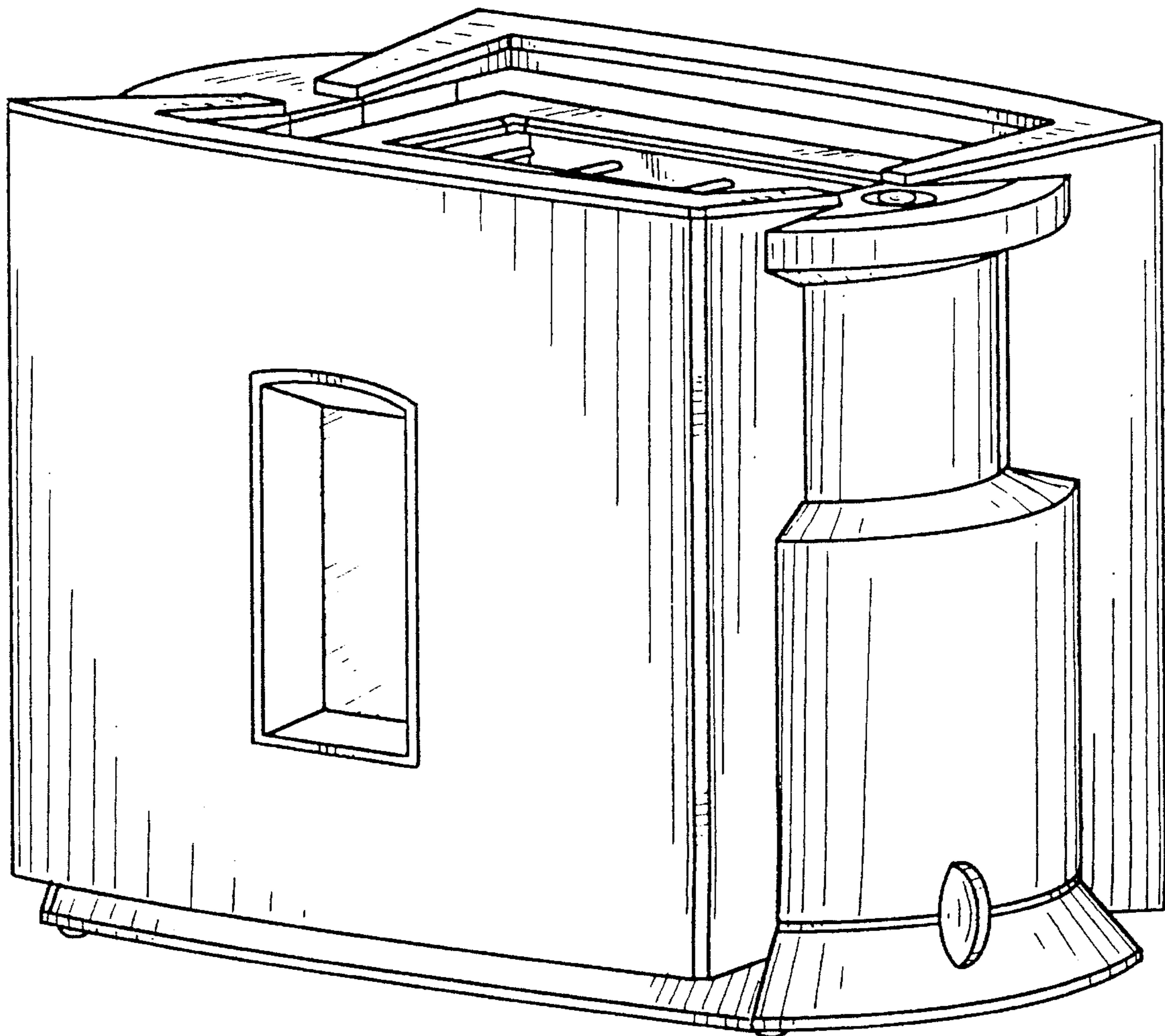
[57] **CLAIM**

The ornamental design for a toaster, as shown and described.

**DESCRIPTION**

FIG. 1 is a isometric view of a toaster of the present invention;  
FIG. 2 is a front elevational view of the toaster of FIG. 1;  
FIG. 3 is a rear elevational view of the toaster of FIG. 1;  
FIG. 4 is a right side elevational view of the toaster of FIG. 1;  
FIG. 5 is a left side elevational view of the toaster of FIG. 1;  
FIG. 6 is a top plan view of the toaster of FIG. 1; and,  
FIG. 7 is a bottom plan view of the toaster of FIG. 1.

**1 Claim, 6 Drawing Sheets**



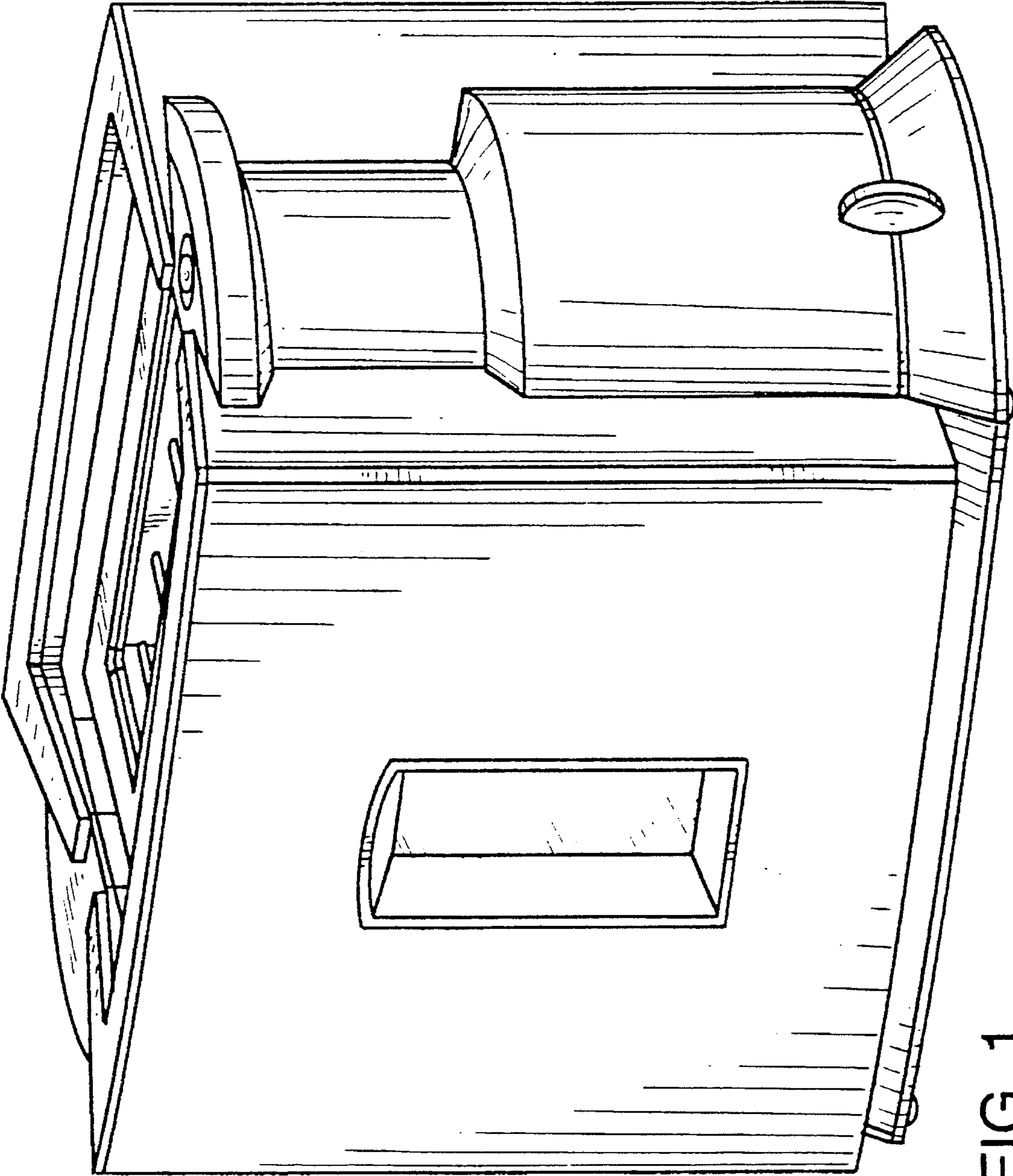


FIG. 1

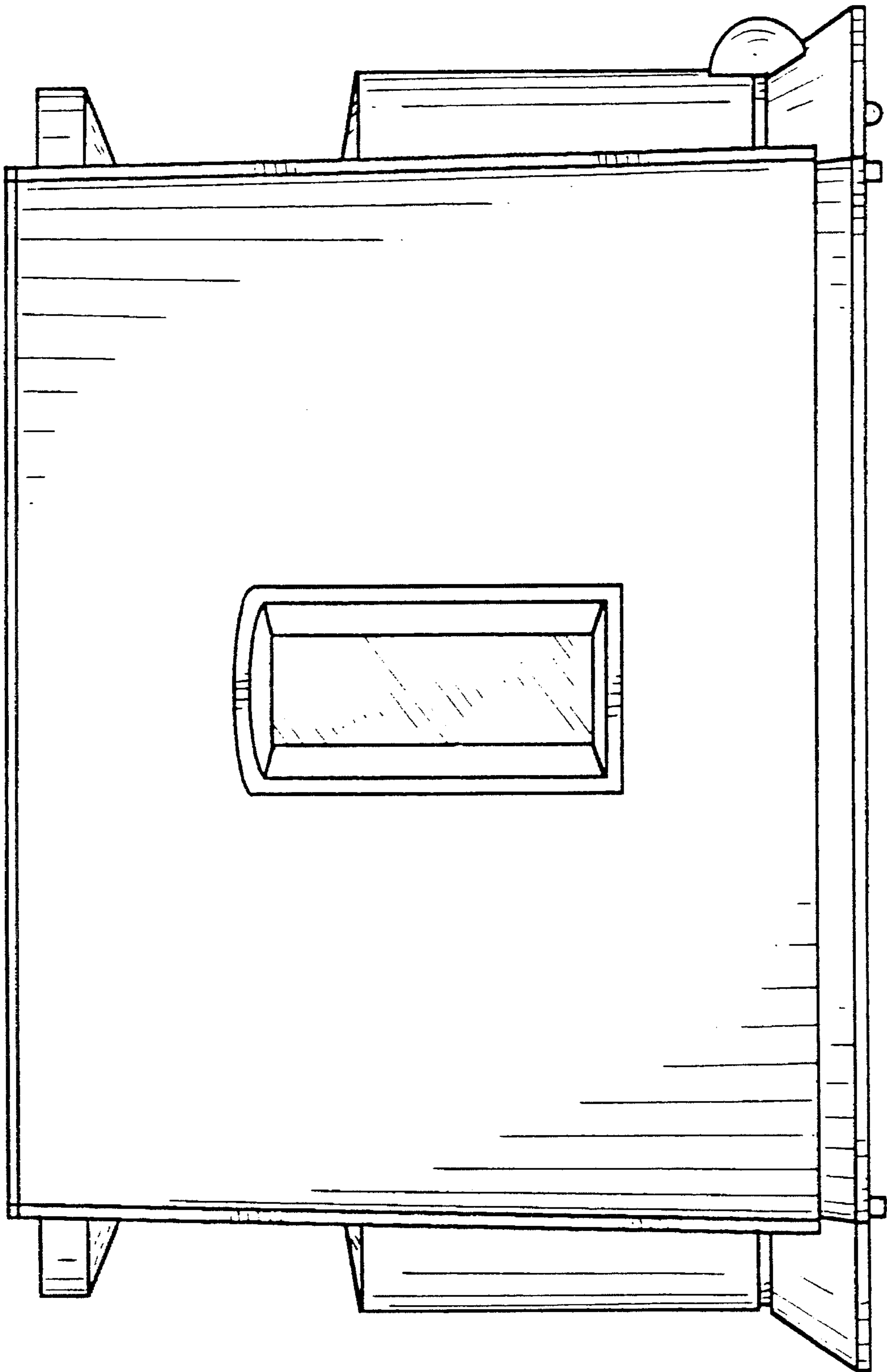


FIG. 2

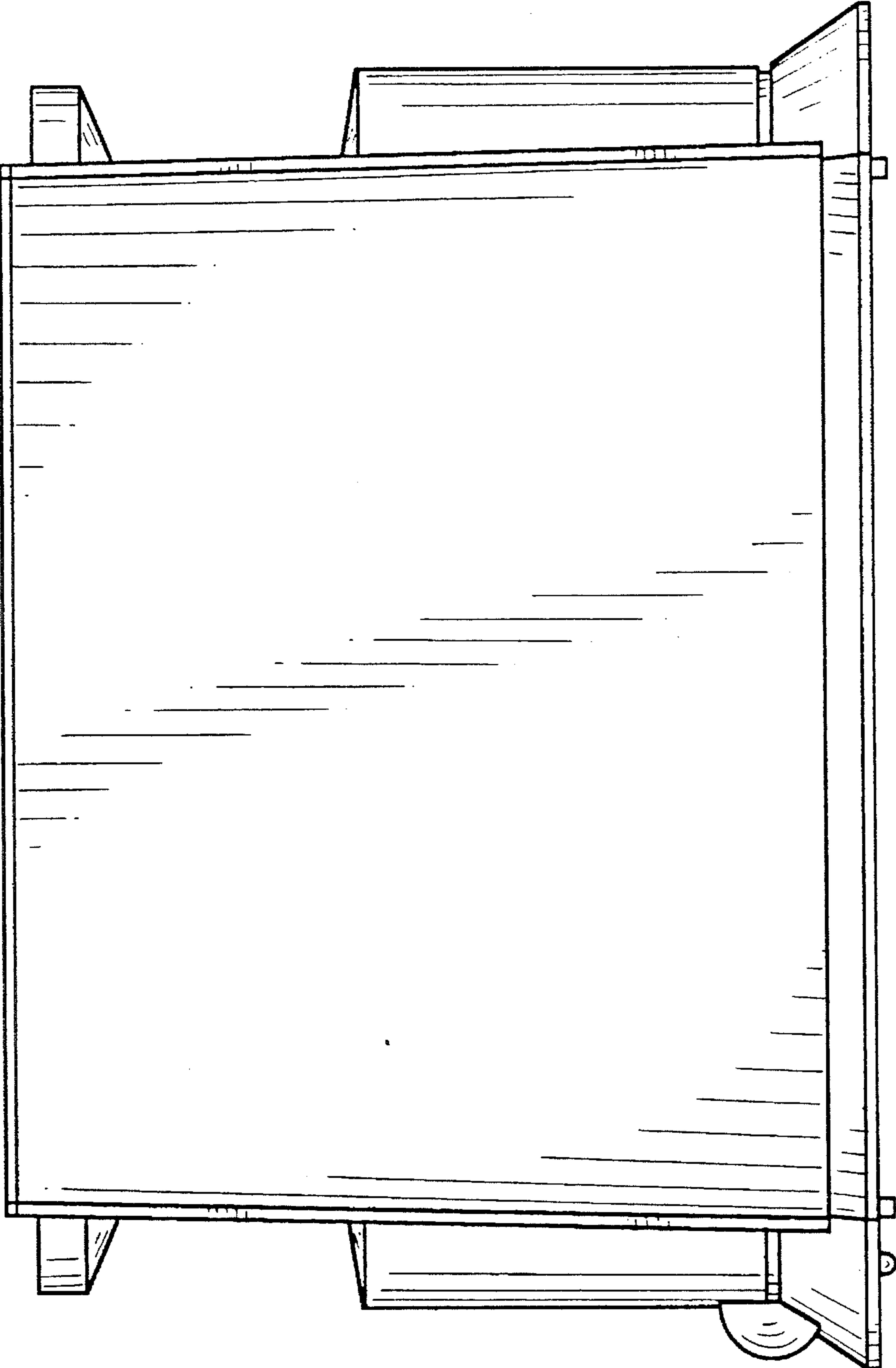


FIG. 3

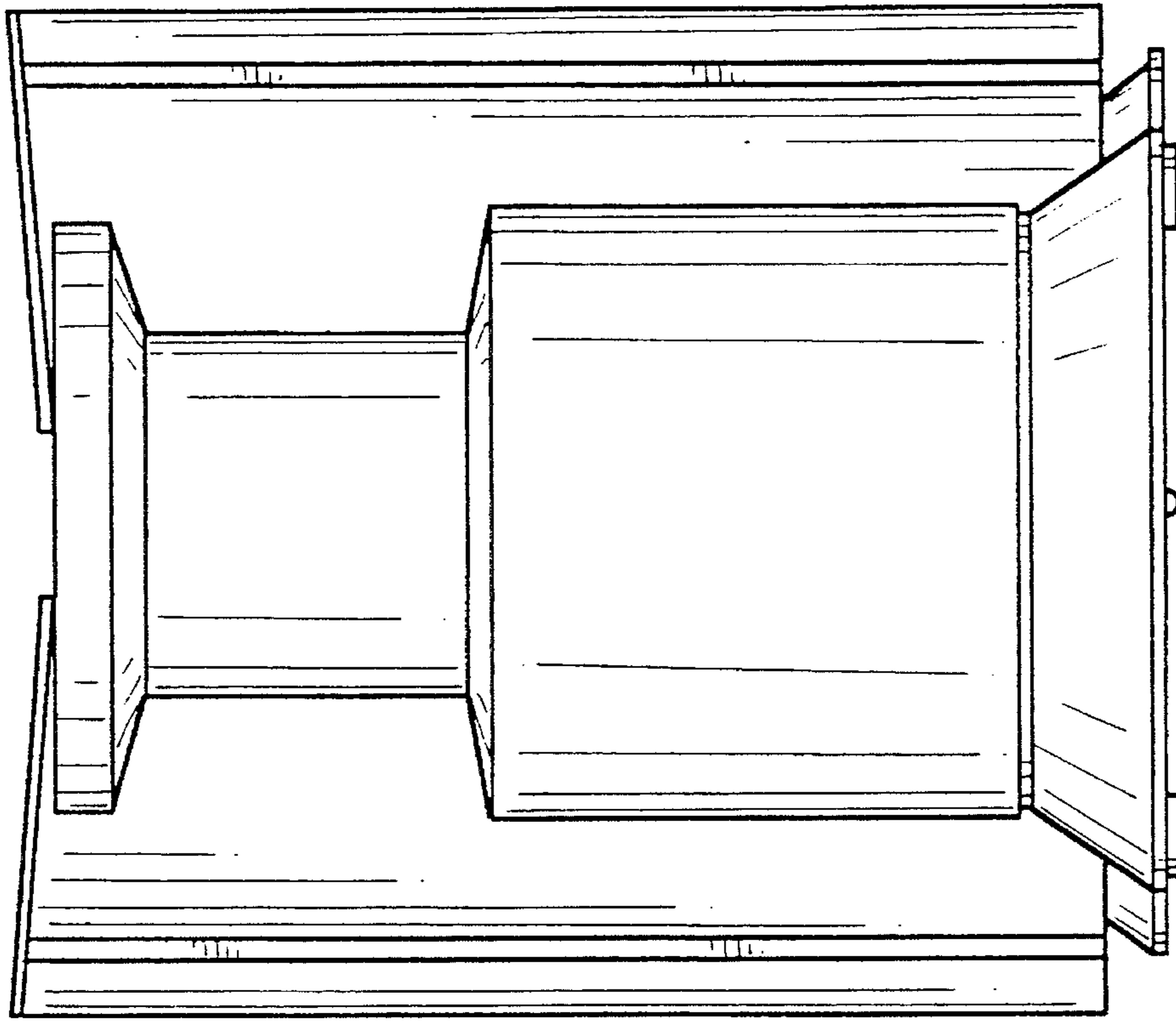


FIG. 5

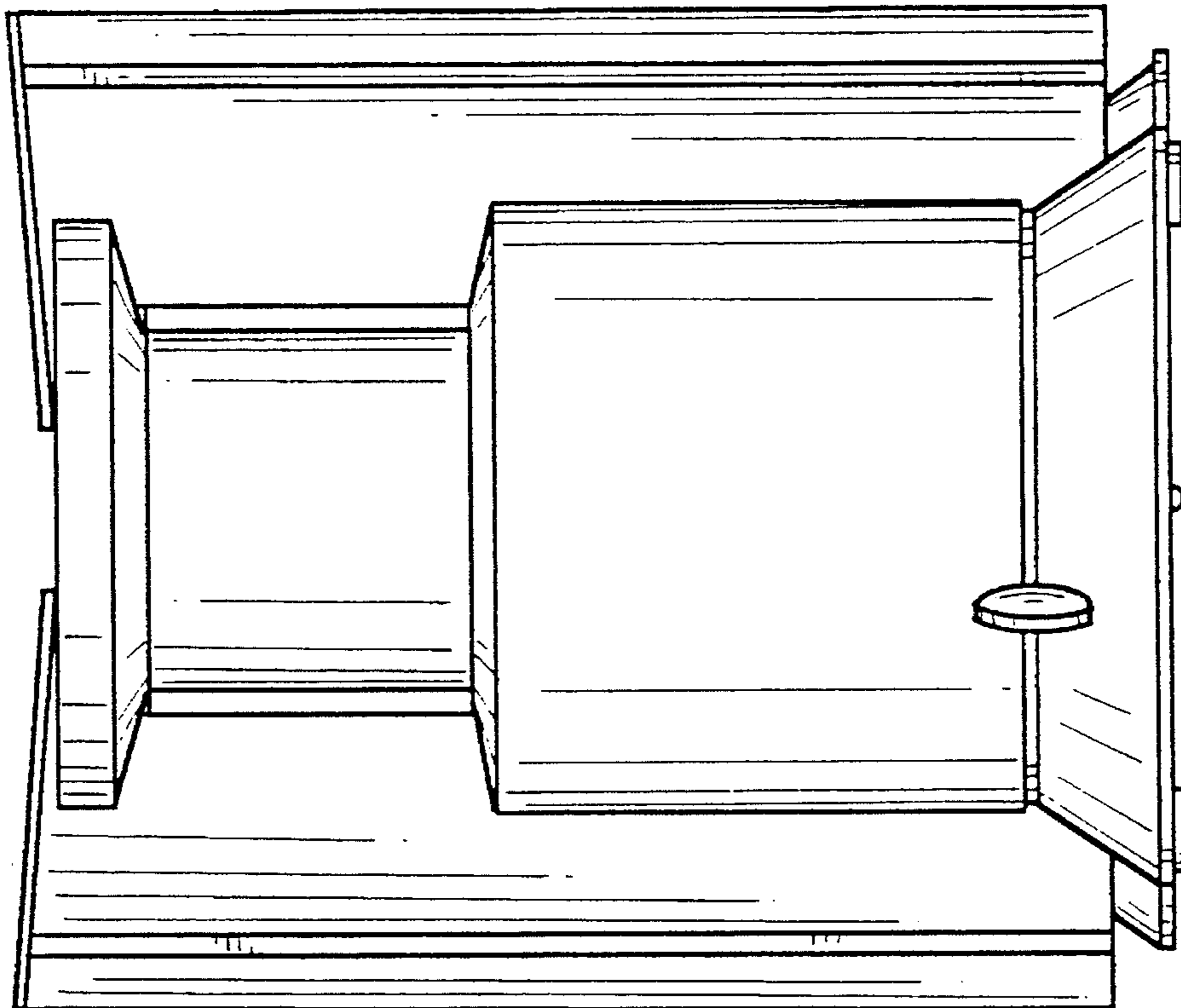


FIG. 4

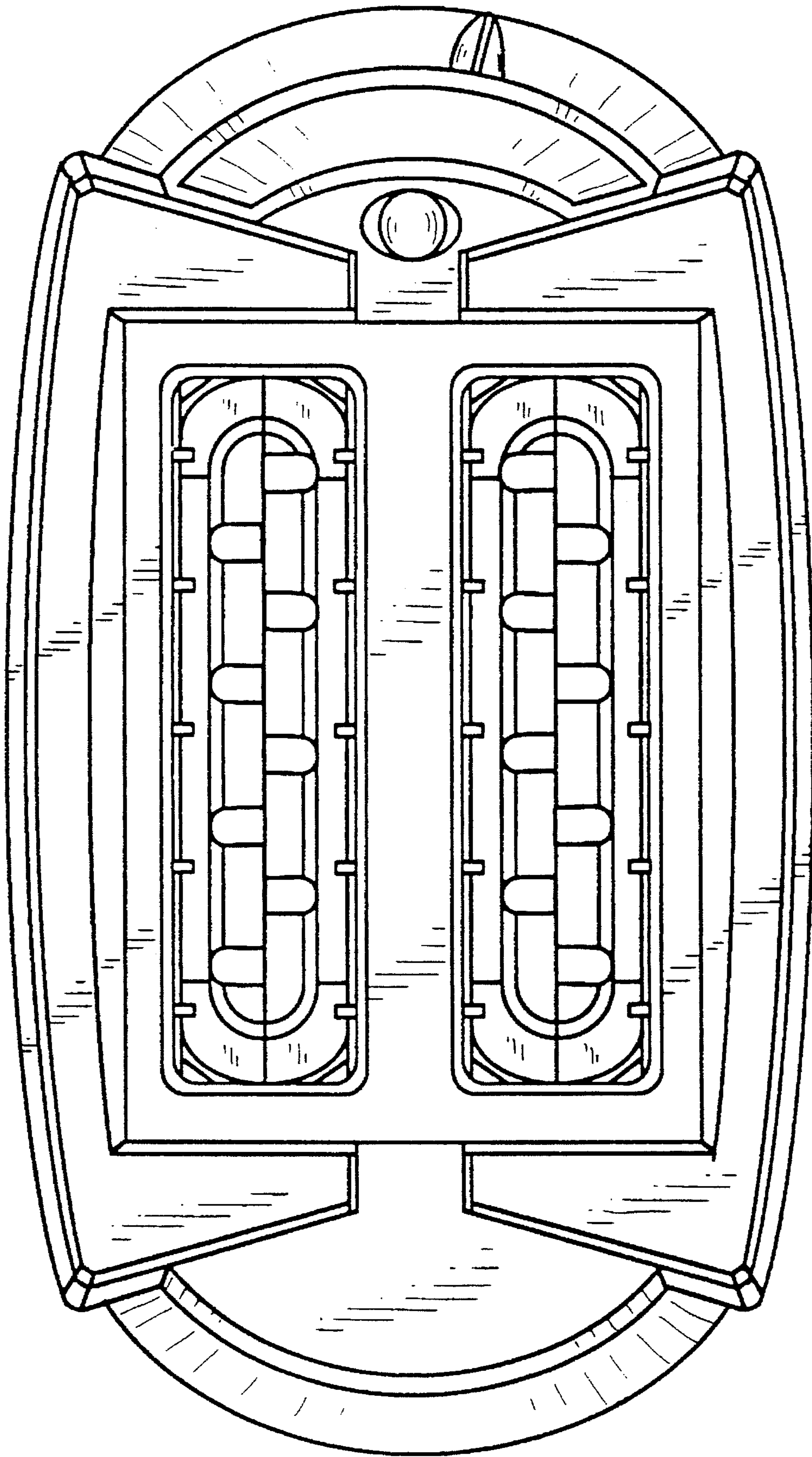


FIG. 6

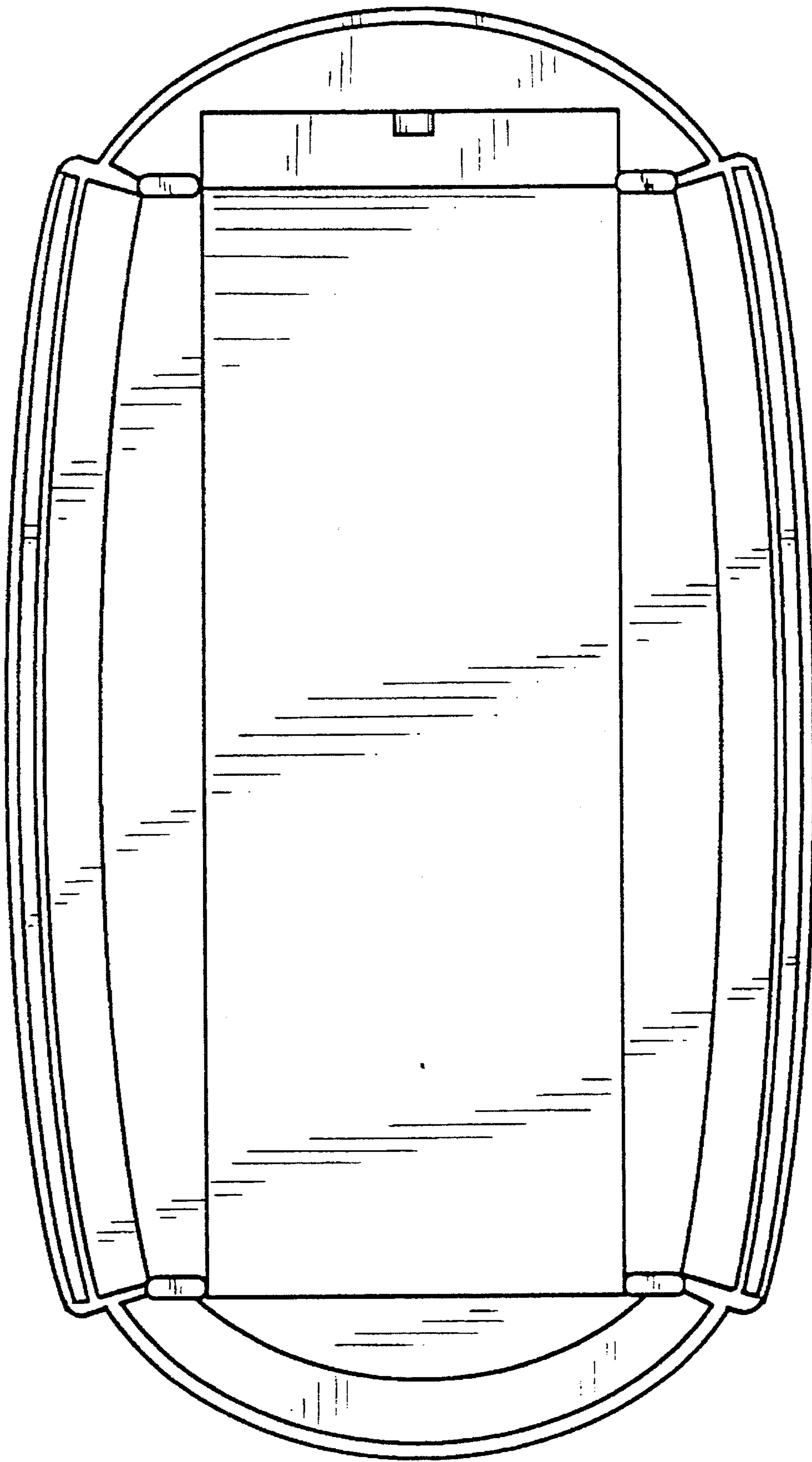


FIG. 7