



US00D377576S

United States Patent [19]

Amiel

[11] Patent Number: **Des. 377,576**

[45] Date of Patent: ****Jan. 28, 1997**

[54] **ESPRESSO MACHINE**

[75] Inventor: **Richard Amiel**, Oberaach, Switzerland

[73] Assignee: **Arthur Eugster AG**, Romanshorn, Switzerland

[**] Term: **14 Years**

[21] Appl. No.: **36,304**

[22] Filed: **Mar. 15, 1995**

[52] U.S. Cl. **D7/307; D7/311**

[58] Field of Search **D7/309, 310, 311, D7/300, 301; 222/78; 99/279, 295**

| | | | | |
|------------|--------|----------|-------|----------|
| D. 355,562 | 2/1995 | De Felip | | D7/310 X |
| D. 360,802 | 8/1995 | Seiffert | | D7/310 X |
| 4,644,856 | 2/1987 | Borgmann | | D7/309 X |

OTHER PUBLICATIONS

Krups Espresso Machine, Form 100 p. 90 IV-1982.
Caffeconcerto by Girmi Industrial, Design May 1984 p. 62.

Primary Examiner—M. N. Pandozzi
Attorney, Agent, or Firm—Darby & Darby, P.C.

[57] CLAIM

The ornamental design for an espresso machine, as shown and described.

DESCRIPTION

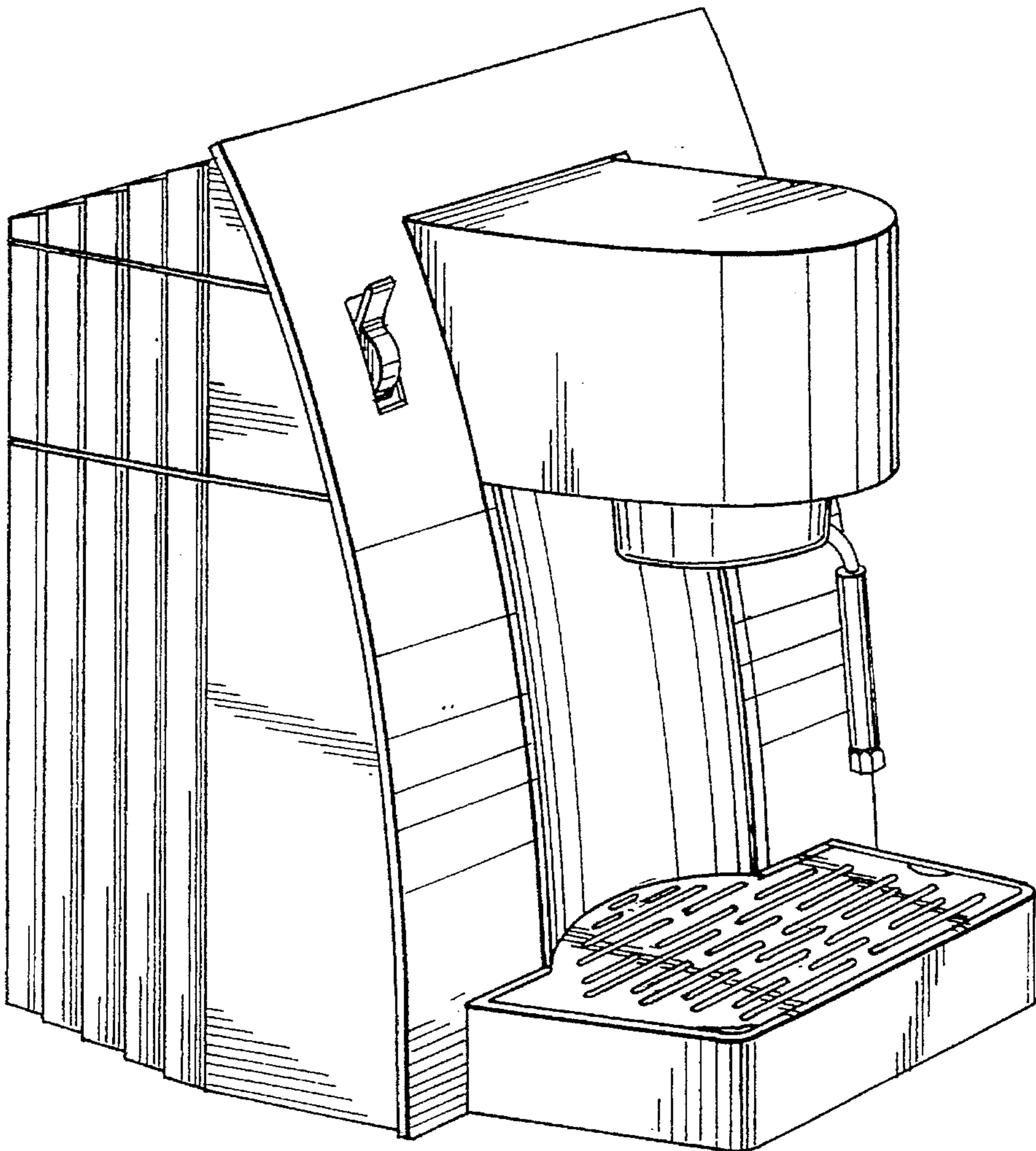
FIG. 1 is a left front perspective view of my design; FIG. 2 is a front view thereof; FIG. 3 is a left side view thereof; FIG. 4 is a right side view thereof; FIG. 5 is a back view thereof; and, FIG. 6 is a top view thereof.

1 Claim, 3 Drawing Sheets

[56] References Cited

U.S. PATENT DOCUMENTS

| | | | | |
|------------|--------|---------------|-------|----------|
| D. 288,398 | 2/1987 | Rossio et al. | | D9/309 |
| D. 336,206 | 6/1993 | Littmann | | D7/309 |
| D. 336,207 | 6/1993 | Brookshire | | D7/311 X |
| D. 337,475 | 7/1993 | Seiffert | | D7/311 X |
| D. 344,206 | 2/1994 | Azpiri | | D7/310 X |
| D. 344,656 | 3/1994 | De Felip | | D7/310 X |



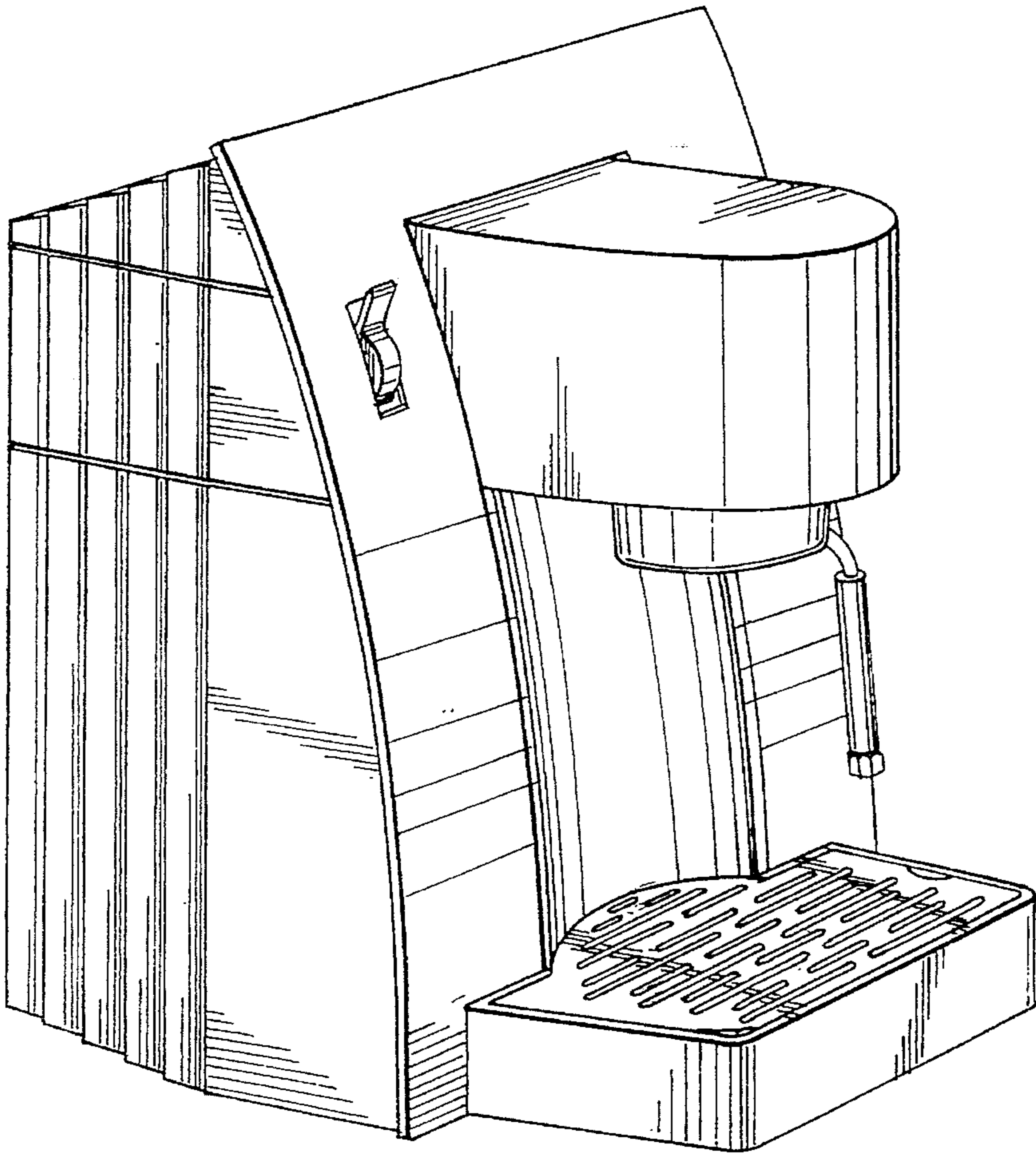


FIG. 1

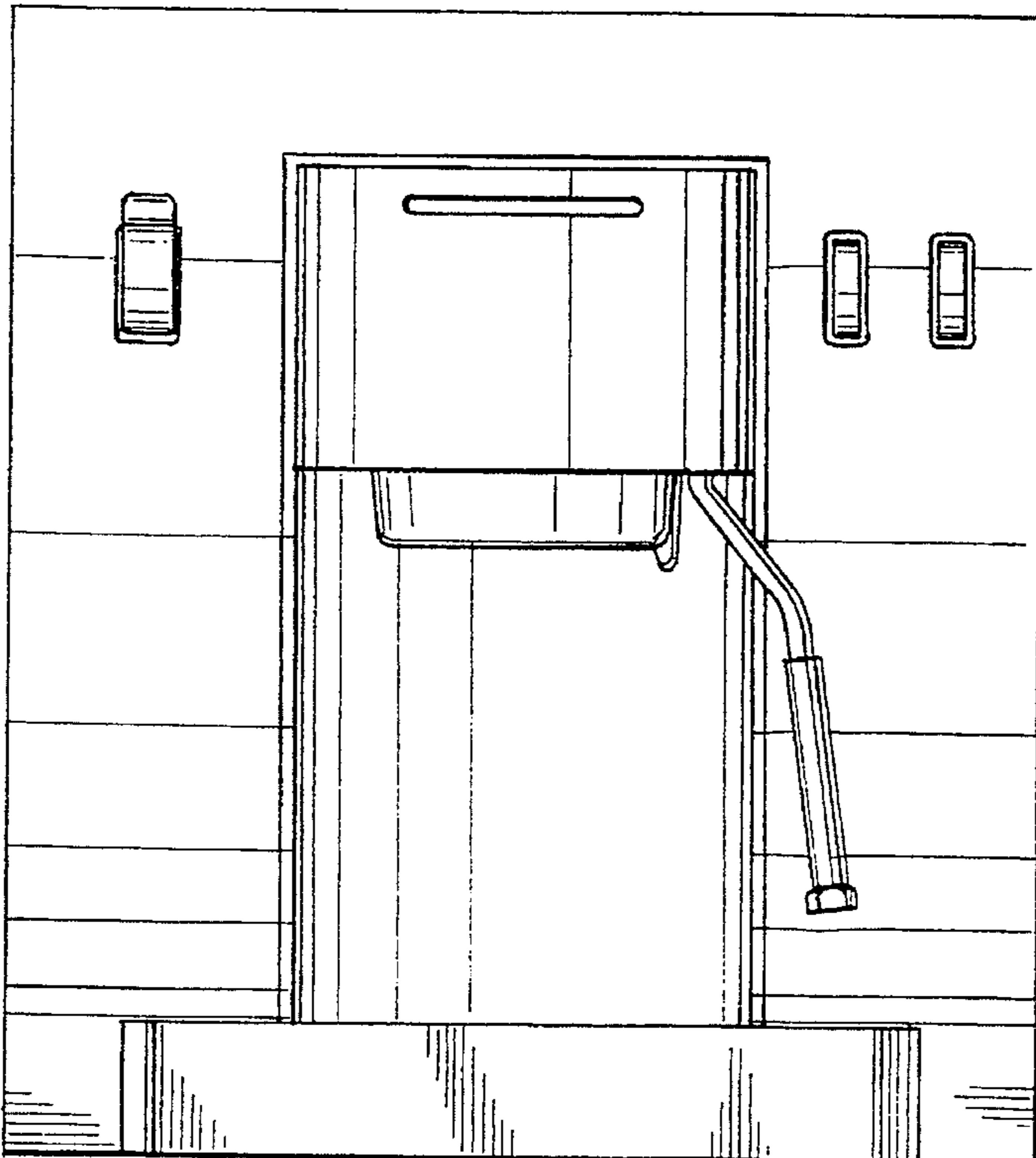


FIG. 2

FIG. 3

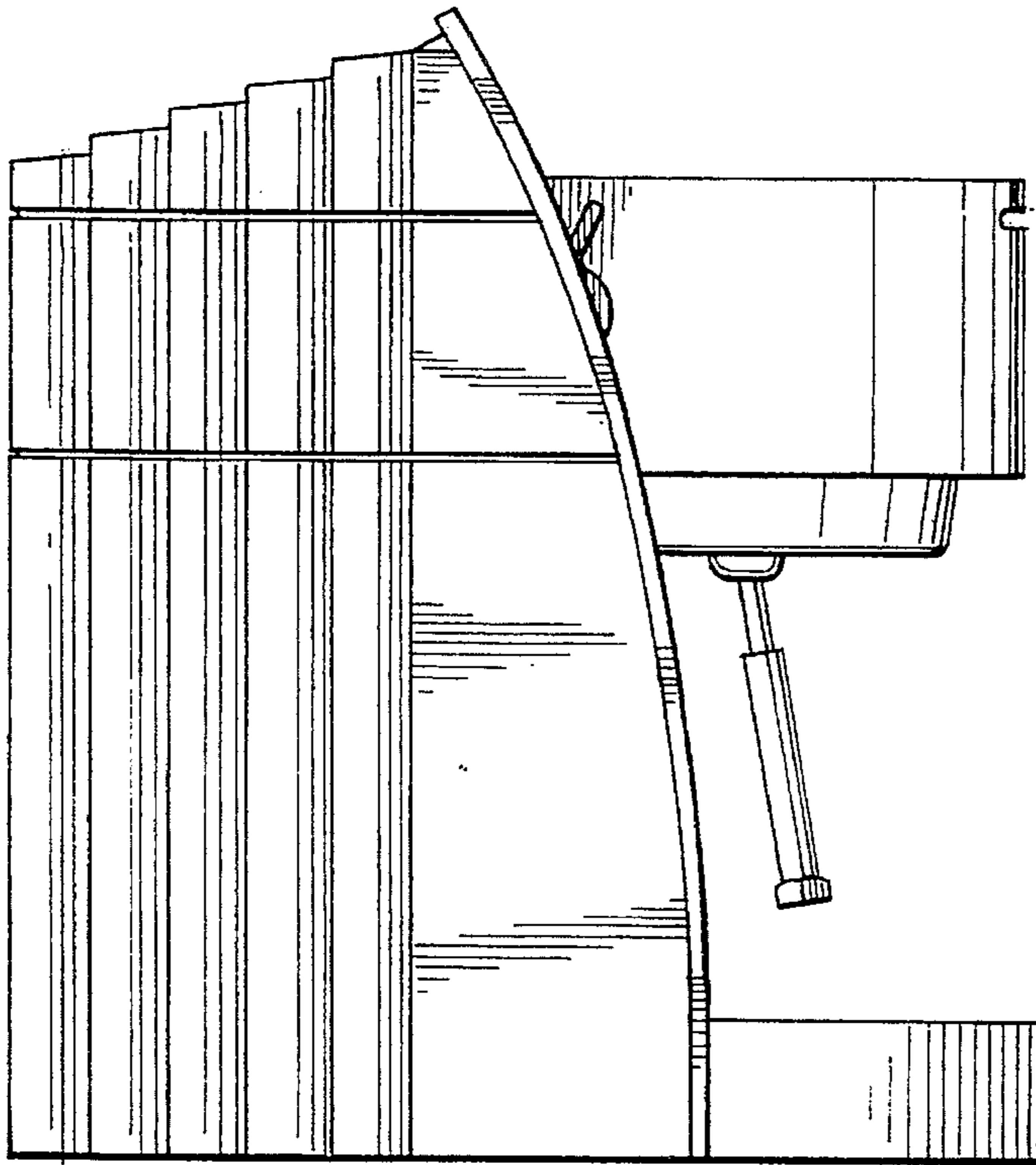
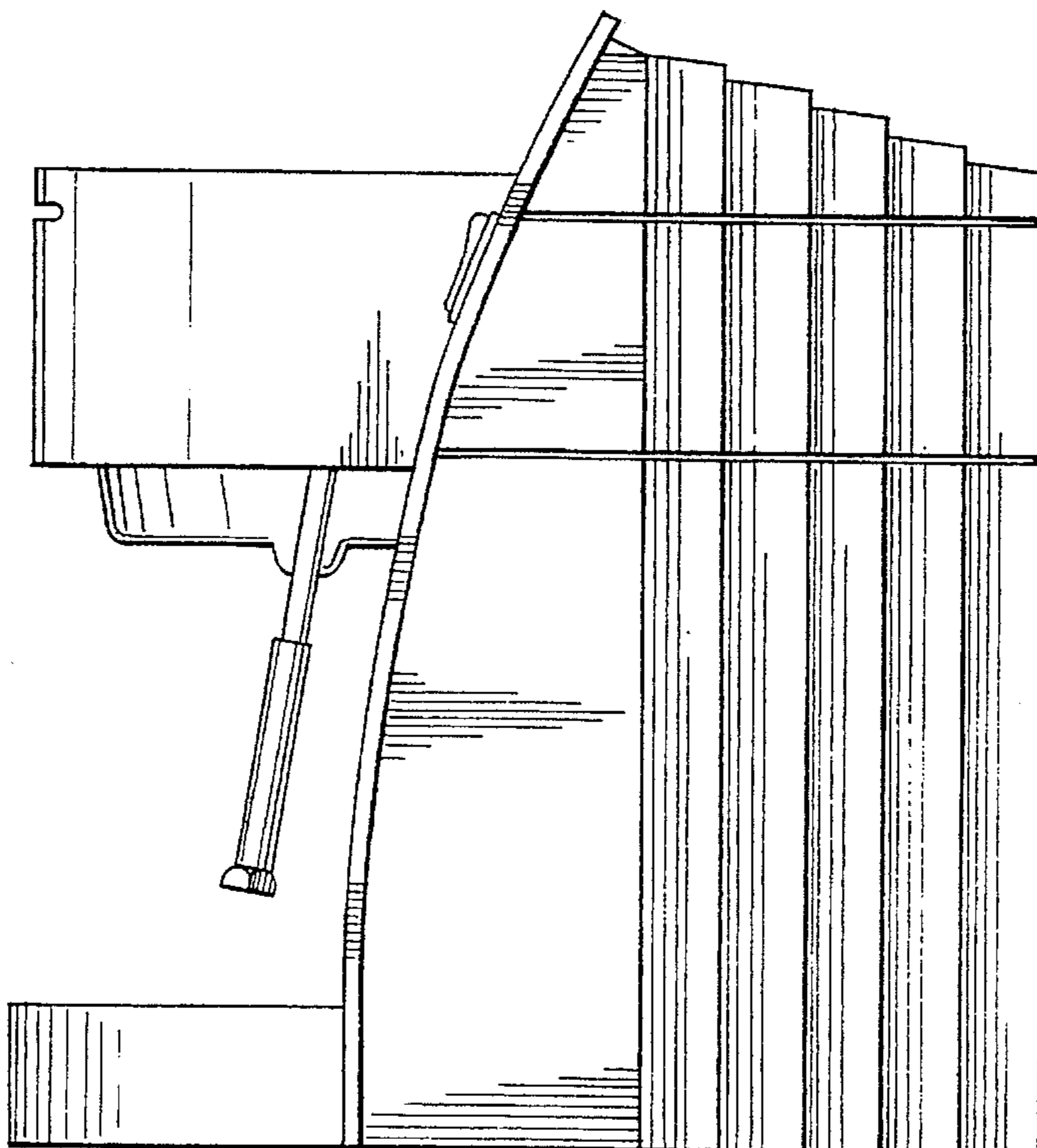


FIG. 4



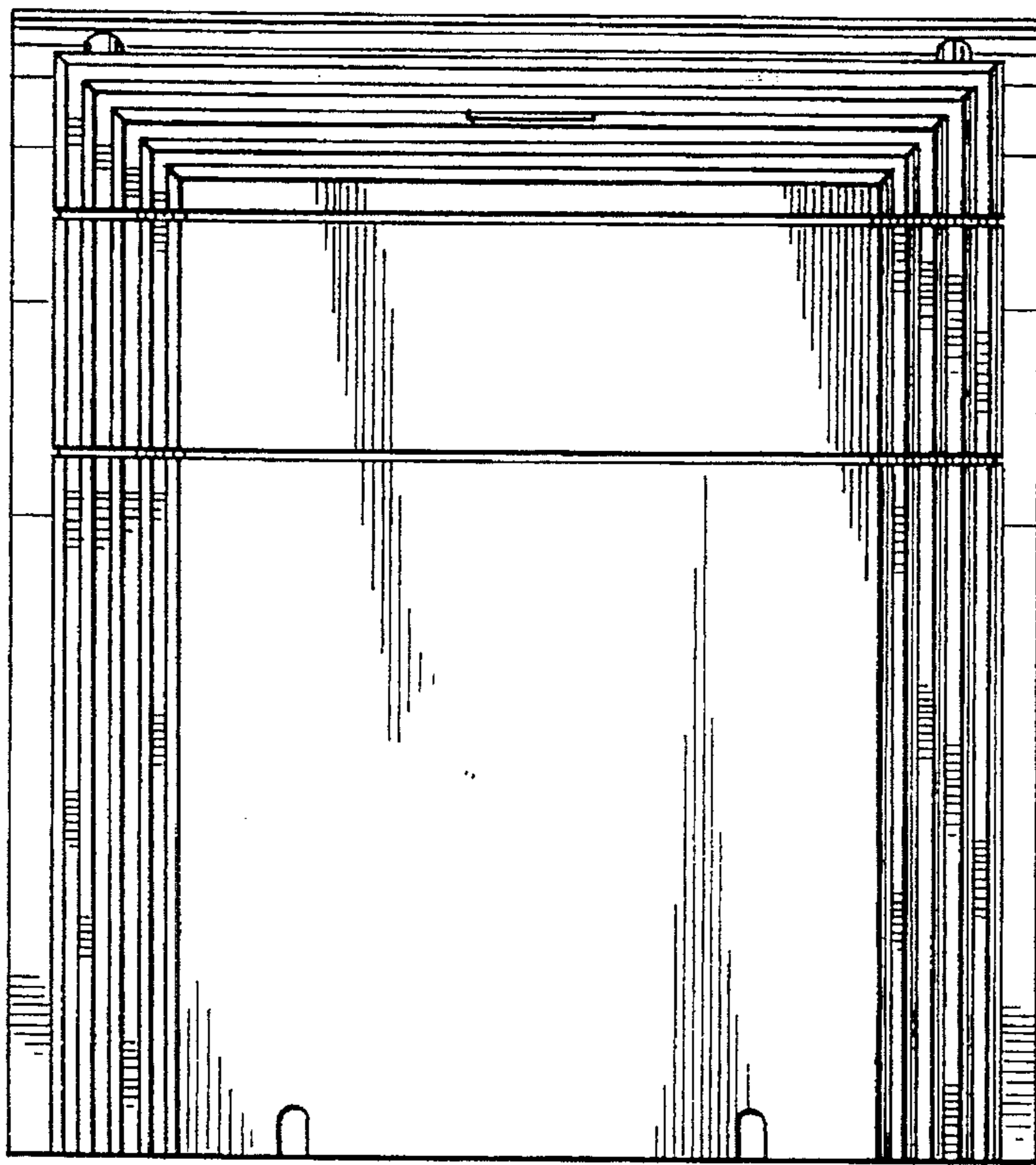


FIG. 5

FIG. 6

