



US00D377574S

United States Patent [19]

[11] Patent Number: **Des. 377,574**

Mades

[45] Date of Patent: ****Jan. 28, 1997**

[54] **PORTABLE CHAIR CUSHION**

[76] Inventor: **Nellie A. Mades, 620 Saddle Dr., Florissant, Mo. 63033**

[**] Term: **14 Years**

[21] Appl. No.: **41,635**

[22] Filed: **Jul. 20, 1995**

[52] U.S. Cl. **D6/601; D6/336; D6/368**

[58] Field of Search **D6/334, 335, 336, D6/368, 374, 500, 501, 502, 595, 596, 601; D3/274, 276, 295, 303; 297/183.5, 188.04, 382**

2,570,571	10/1951	Leeman	D6/335 X
2,868,274	1/1959	Miller	D6/502 X
3,093,407	6/1963	Wilson	D6/368 X
3,120,406	2/1964	Shelton	D6/368 X
4,108,492	8/1978	Kirby	D6/502 X
4,597,605	7/1986	Gilbert	D6/601 X
4,824,171	4/1989	Hollingsworth	D6/368 X
4,843,662	7/1989	Handelman	D6/601 X

Primary Examiner—Gary D. Watson

[57] CLAIM

The ornamental design for a portable chair cushion, as shown and described.

DESCRIPTION

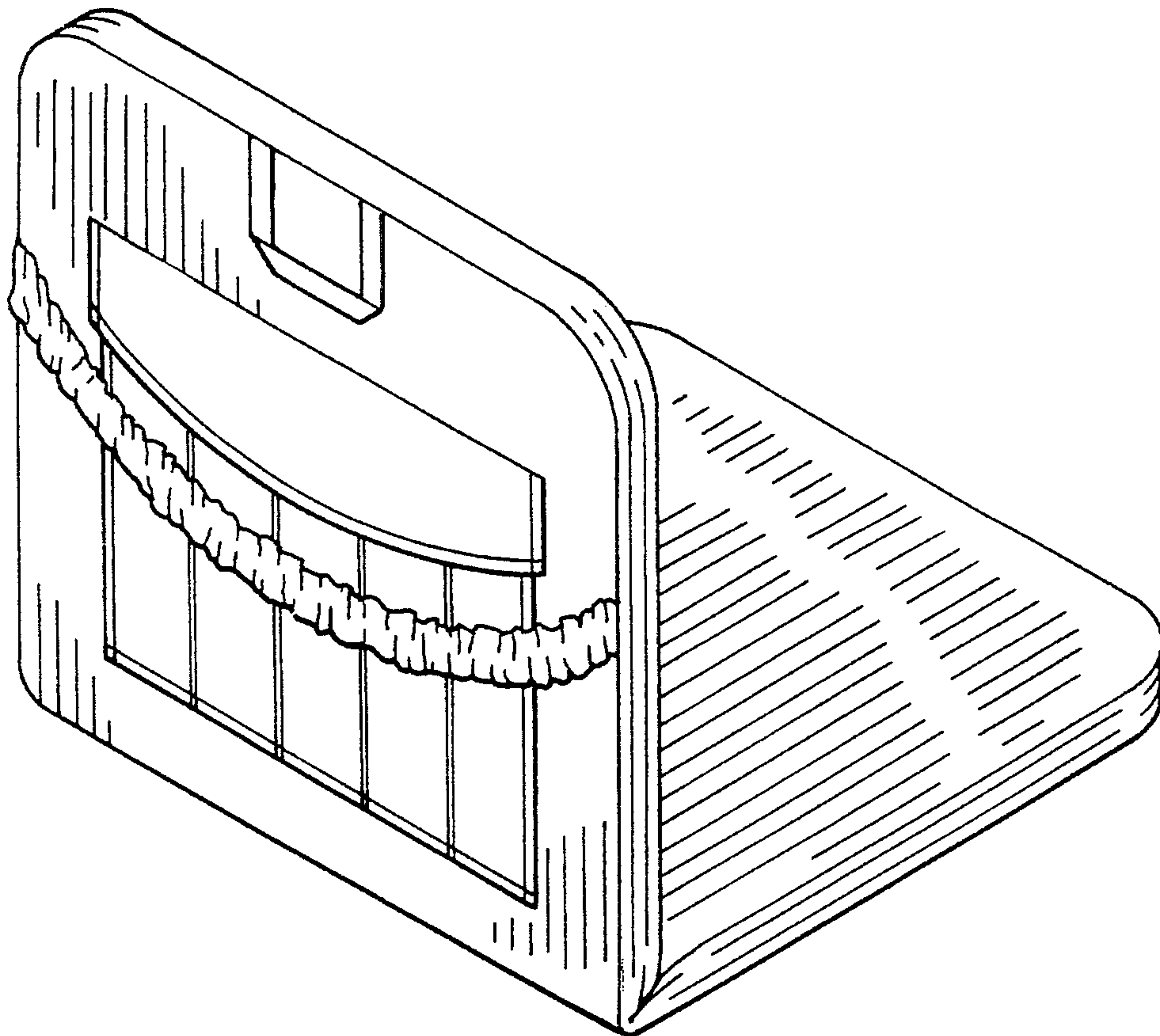
FIG. 1 is a rear, top and side perspective view in the open condition of the portable chair cushion showing my design; FIG. 2 is a top front and side perspective view in the open condition thereof; FIG. 3 has been drawn on an enlarged scale with respect to FIGS. 1 through 6; FIG. 3 is a view similar to FIG. 4 showing four in open condition and one closed condition of the five box pleated pockets with their flap closure in open condition; FIG. 4 is a top rear view thereof shown in a closed condition; FIG. 5 is a bottom rear view thereof shown in a closed condition; and, FIG. 6 is a right side view shown in a closed condition, the opposite side being a mirror image thereof.

1 Claim, 3 Drawing Sheets

[56] References Cited

U.S. PATENT DOCUMENTS

D. 264,401	5/1982	Trotman et al.	D6/502
D. 275,436	9/1984	Zierden	D6/601
D. 293,282	12/1987	Ashford	D6/368
D. 293,868	1/1988	Paletta et al.	D6/596
D. 304,524	11/1989	McNeely	D6/601 X
D. 306,543	3/1990	Pestuglicci et al.	D6/601
D. 312,741	12/1990	Treadwell	D6/601
D. 312,742	12/1990	Paulhus	D6/601
D. 329,148	9/1992	Hwang et al.	D6/368
D. 332,546	1/1993	Waltner	D6/601
D. 360,308	7/1995	Smith et al.	D6/368 X
D. 360,768	8/1995	Hwang et al.	D6/368
D. 366,800	2/1996	Moore, Jr.	D6/601
2,239,669	4/1941	Blake	D6/368 X



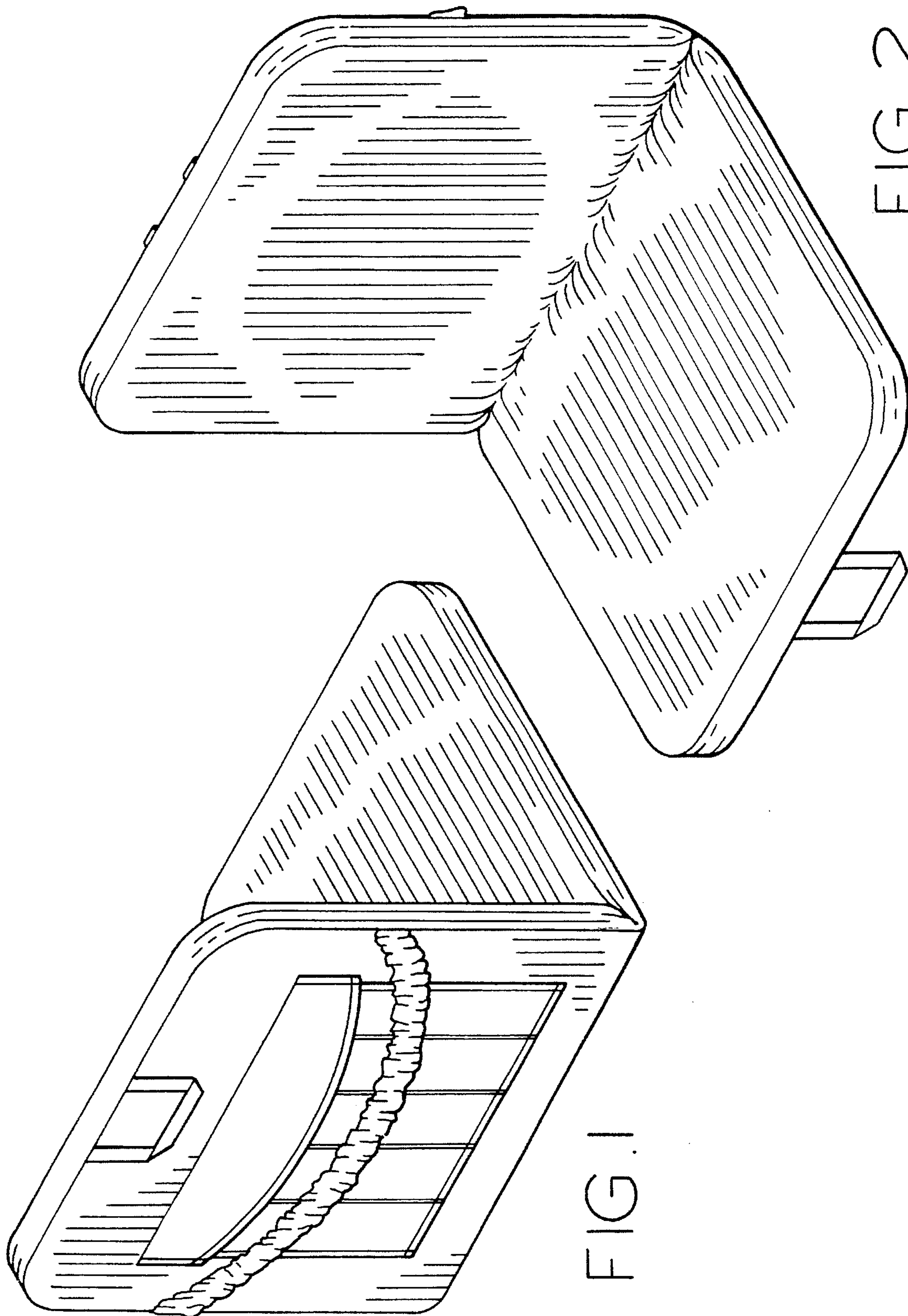


FIG. 1

FIG. 2

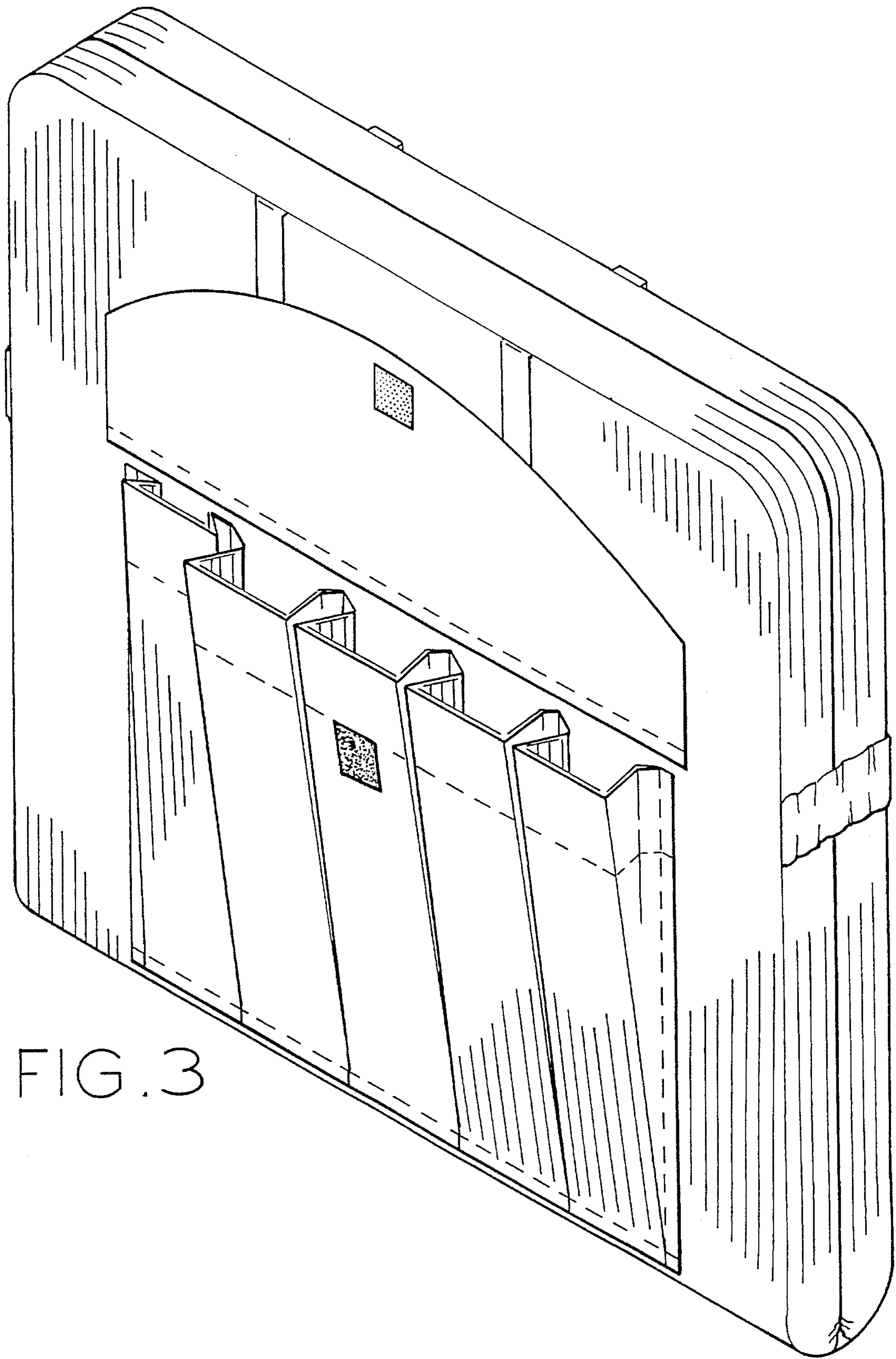


FIG. 3

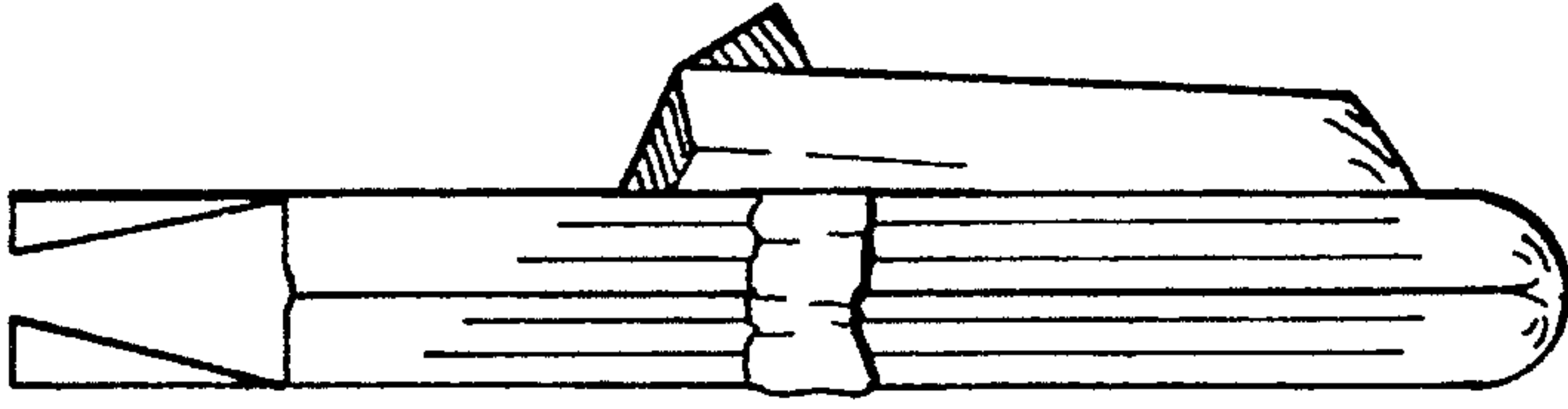


FIG. 6

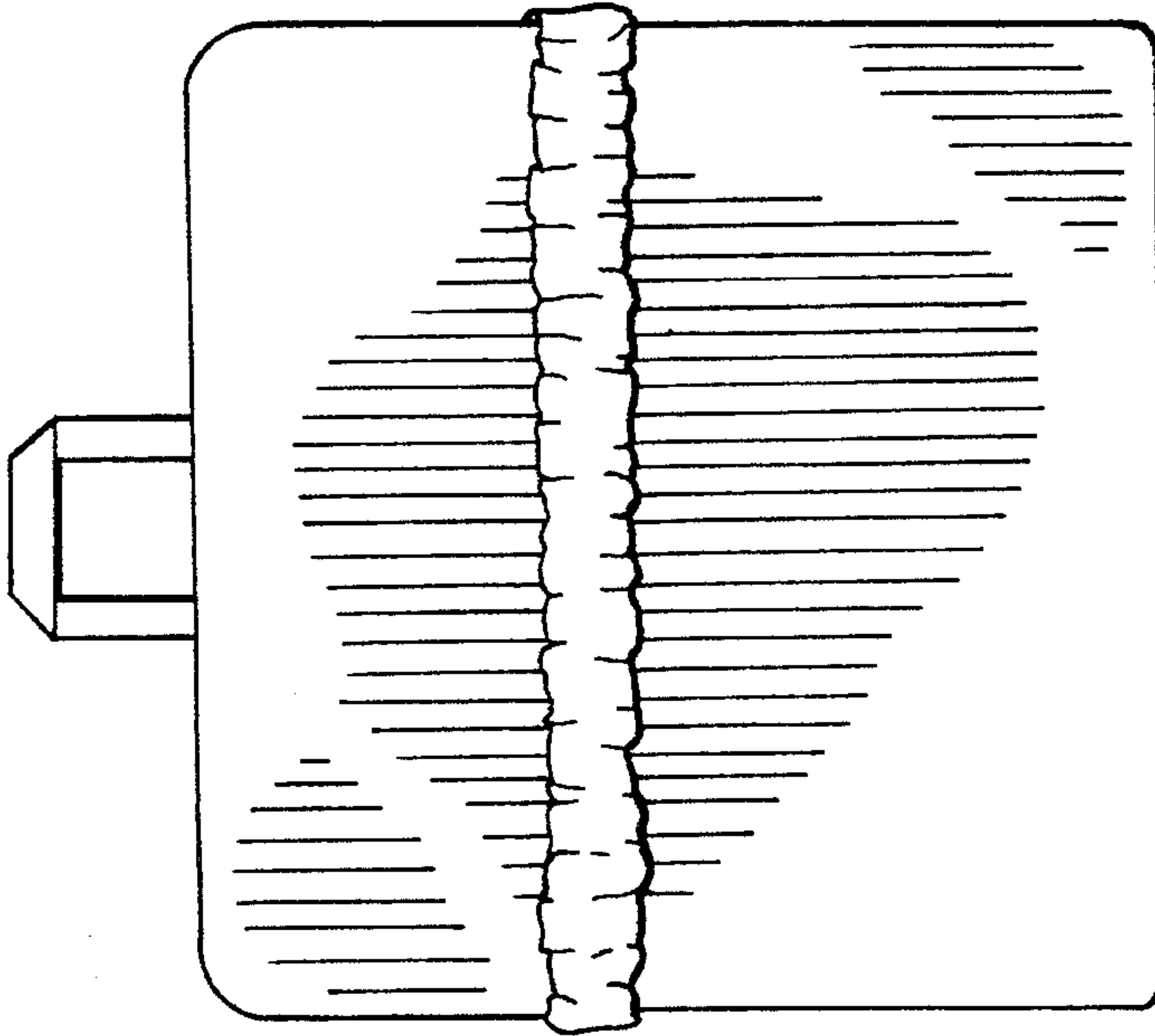


FIG. 5

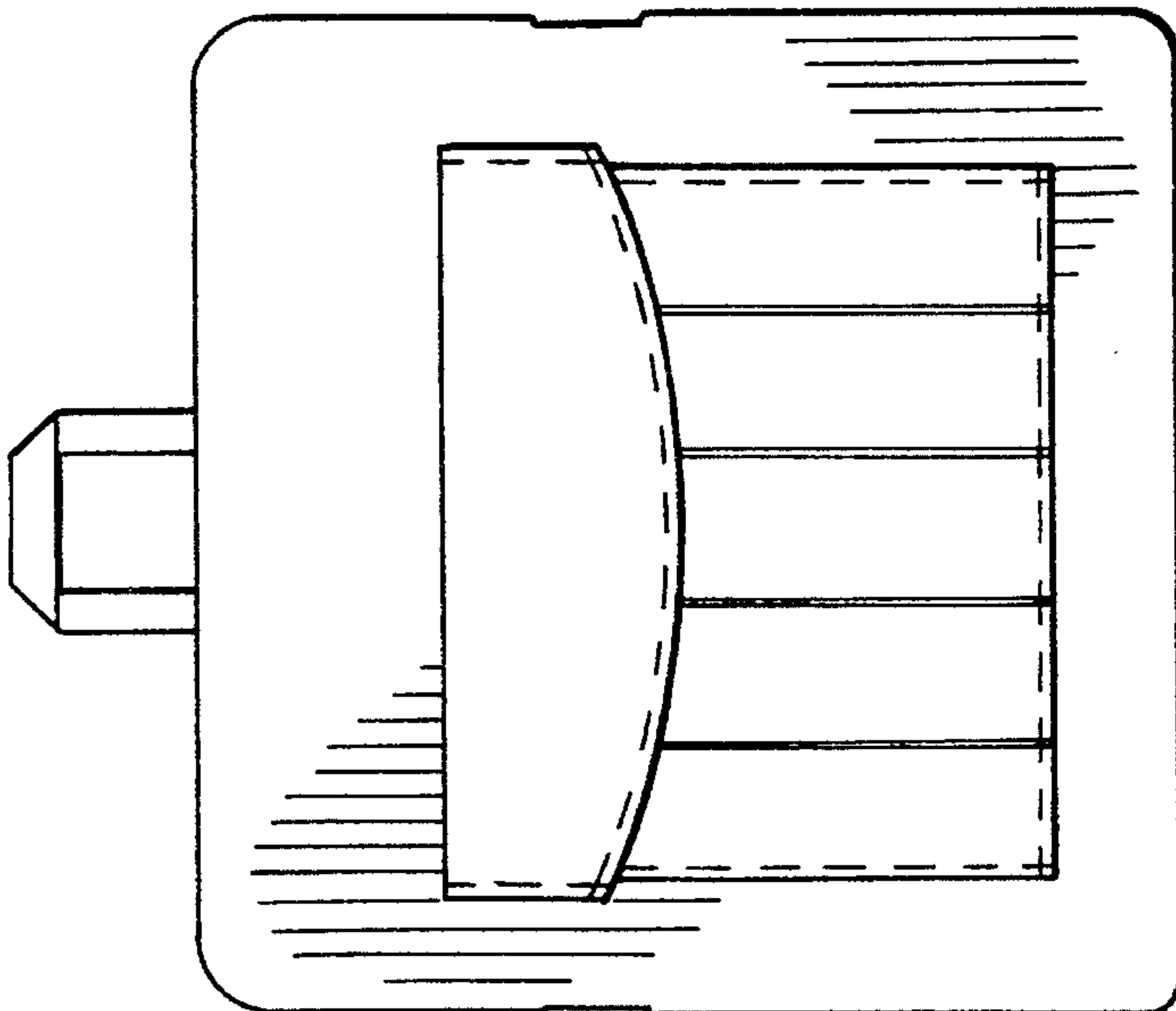


FIG. 4