



US00D377572S

United States Patent [19]

[11] Patent Number: **Des. 377,572**

Martin

[45] Date of Patent: ****Jan. 28, 1997**

[54] **BAT AND HELMET RACK**

Attorney, Agent, or Firm—Grace J. Fishel

[76] Inventor: **Walter R. Martin**, 4432 Towers Rd.,
St. Charles, Mo. 63304

[57] **CLAIM**

[**] Term: **14 Years**

The ornamental design for a bat and helmet rack, as shown.

[21] Appl. No.: **47,663**

DESCRIPTION

[22] Filed: **Dec. 11, 1995**

FIG. 1 is a perspective view of a bat and helmet rack showing my new design in use;

[52] U.S. Cl. **D6/552**

FIG. 2 is a perspective view thereof showing my new design in folded condition;

[58] Field of Search D6/552, 512, 513,
D6/553, 559, 561; 206/44 R, 207, 278,
315.1, 315.9; 211/13, 86, 113

FIG. 3 is a front view thereof as viewed in FIG. 1;

[56] References Cited

FIG. 4 is a top view thereof;

U.S. PATENT DOCUMENTS

FIG. 5 is a bottom view thereof;

- D. 320,325 10/1991 Barfield D6/552
- D. 323,998 2/1992 Ruck D6/513 X
- D. 335,416 5/1993 Shaw D6/552
- 3,893,615 7/1975 Johnson D6/552 X

FIG. 6 is a rear view thereof; and,

OTHER PUBLICATIONS

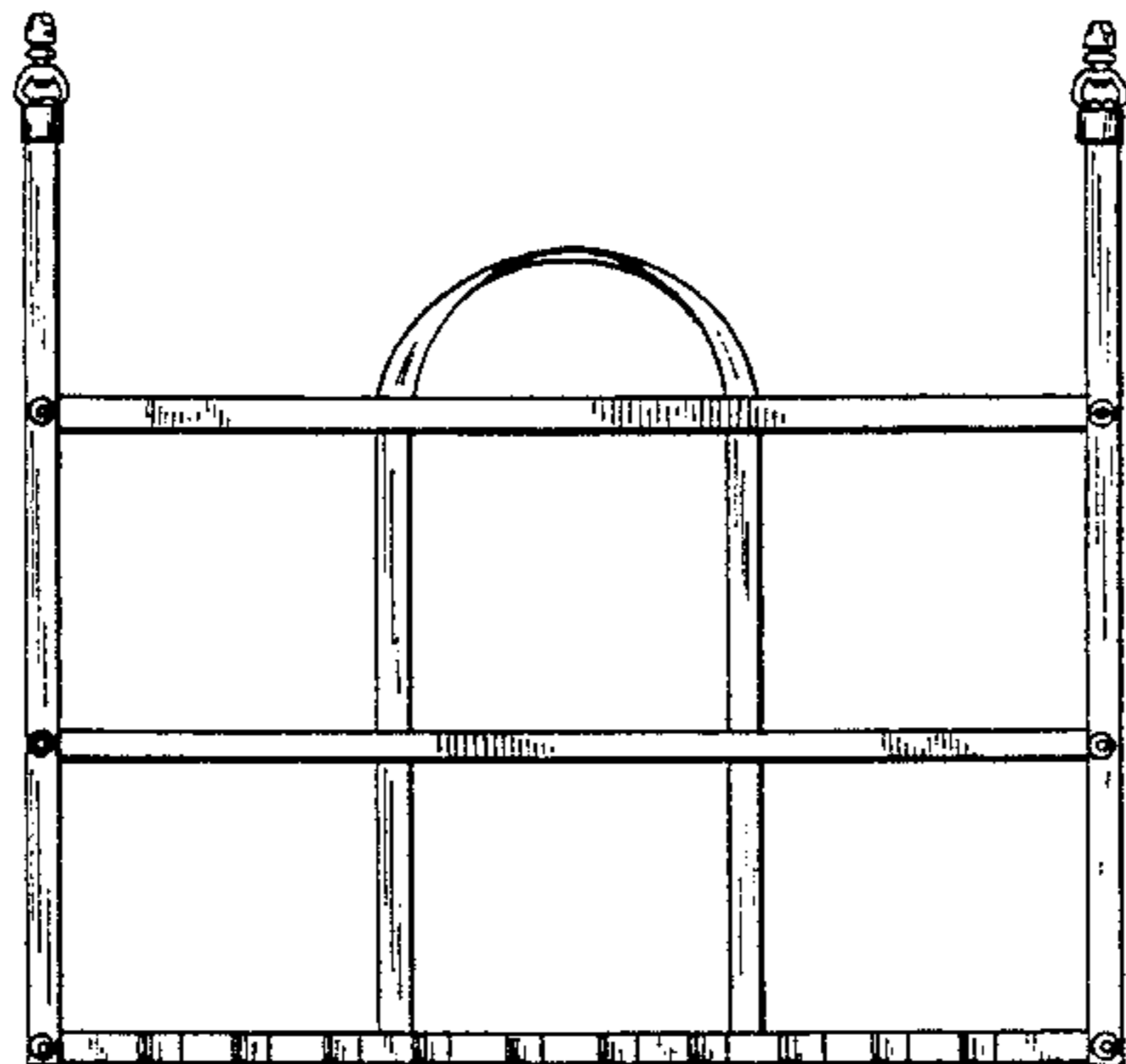
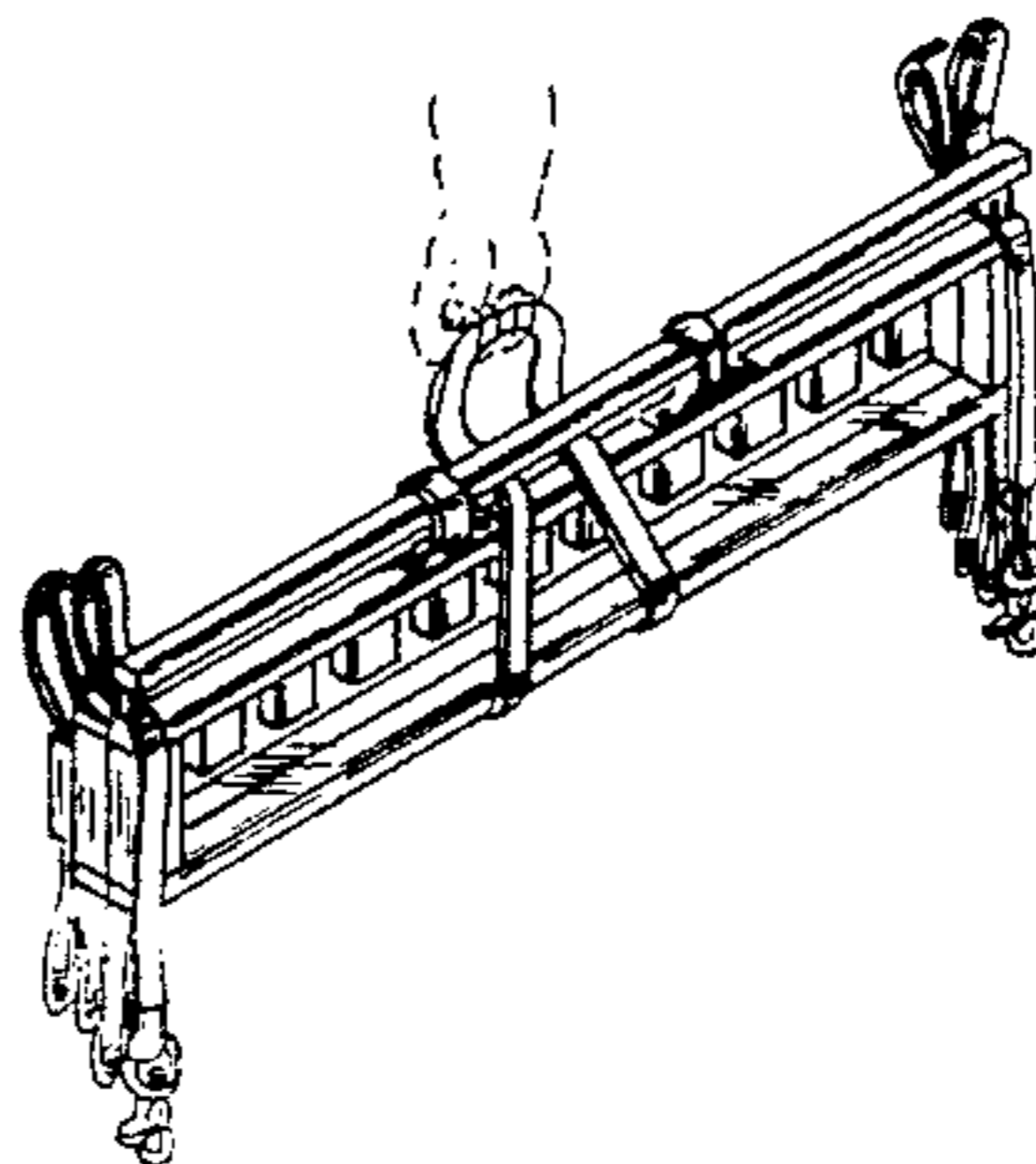
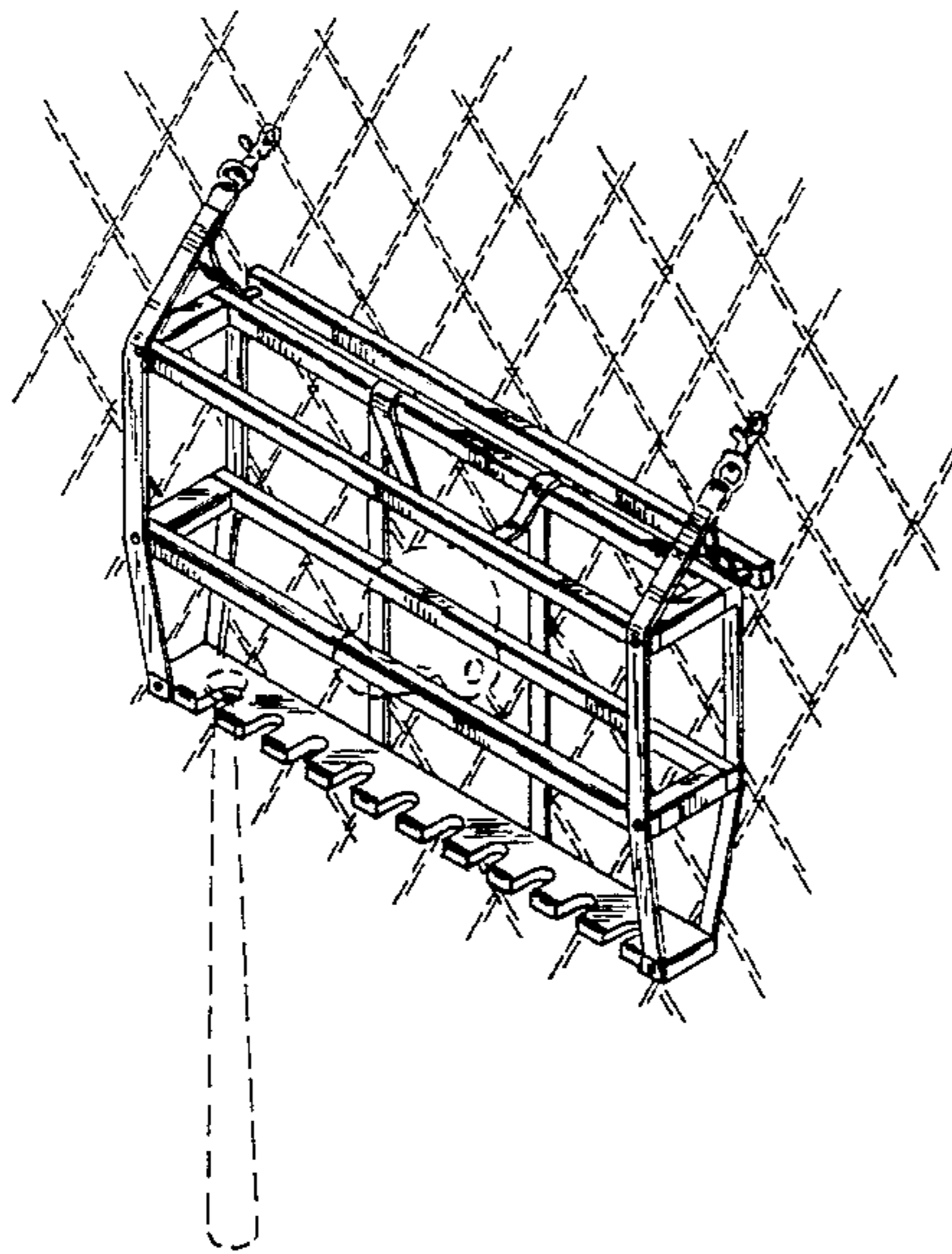
FIG. 7 is a side view thereof.

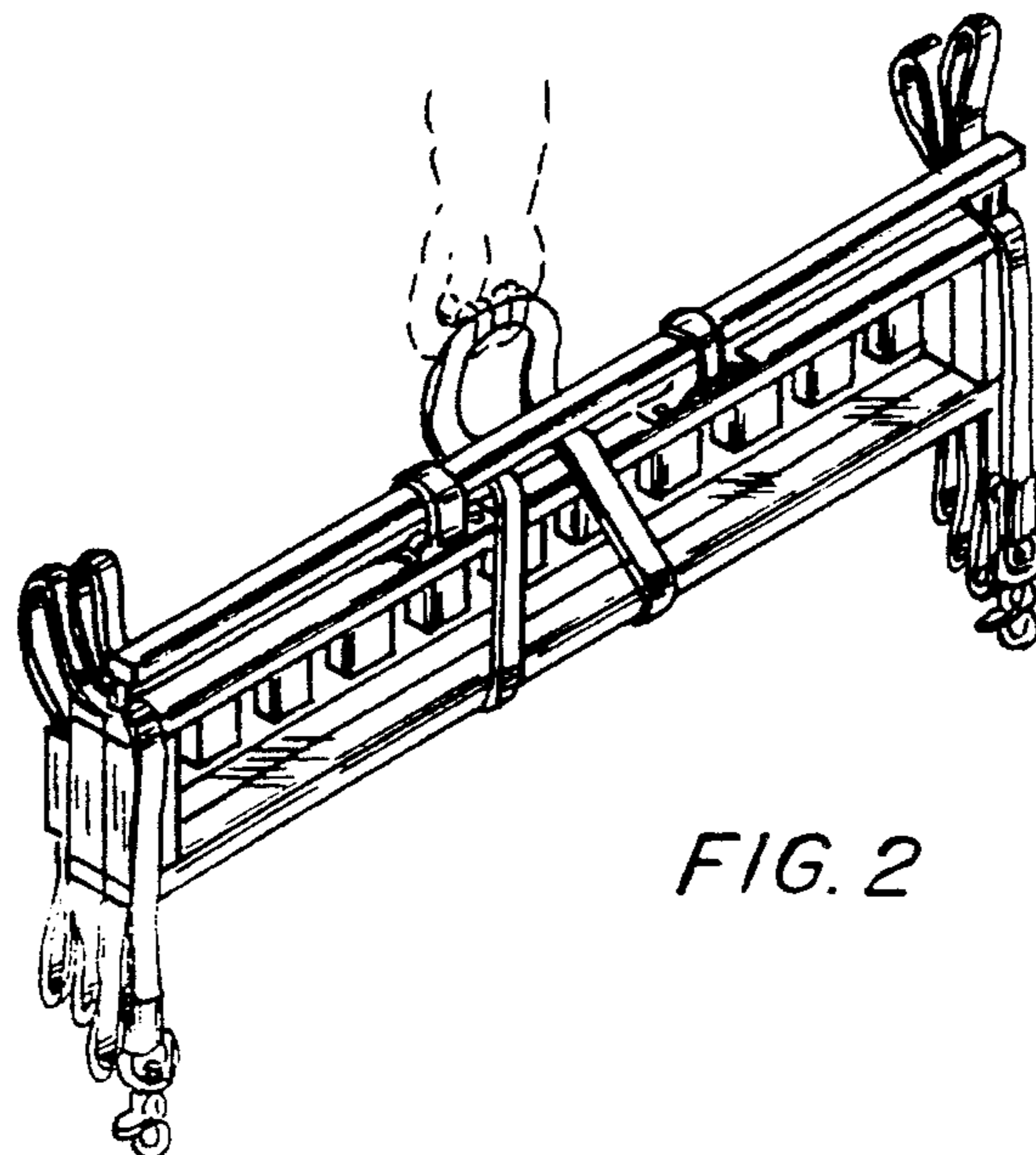
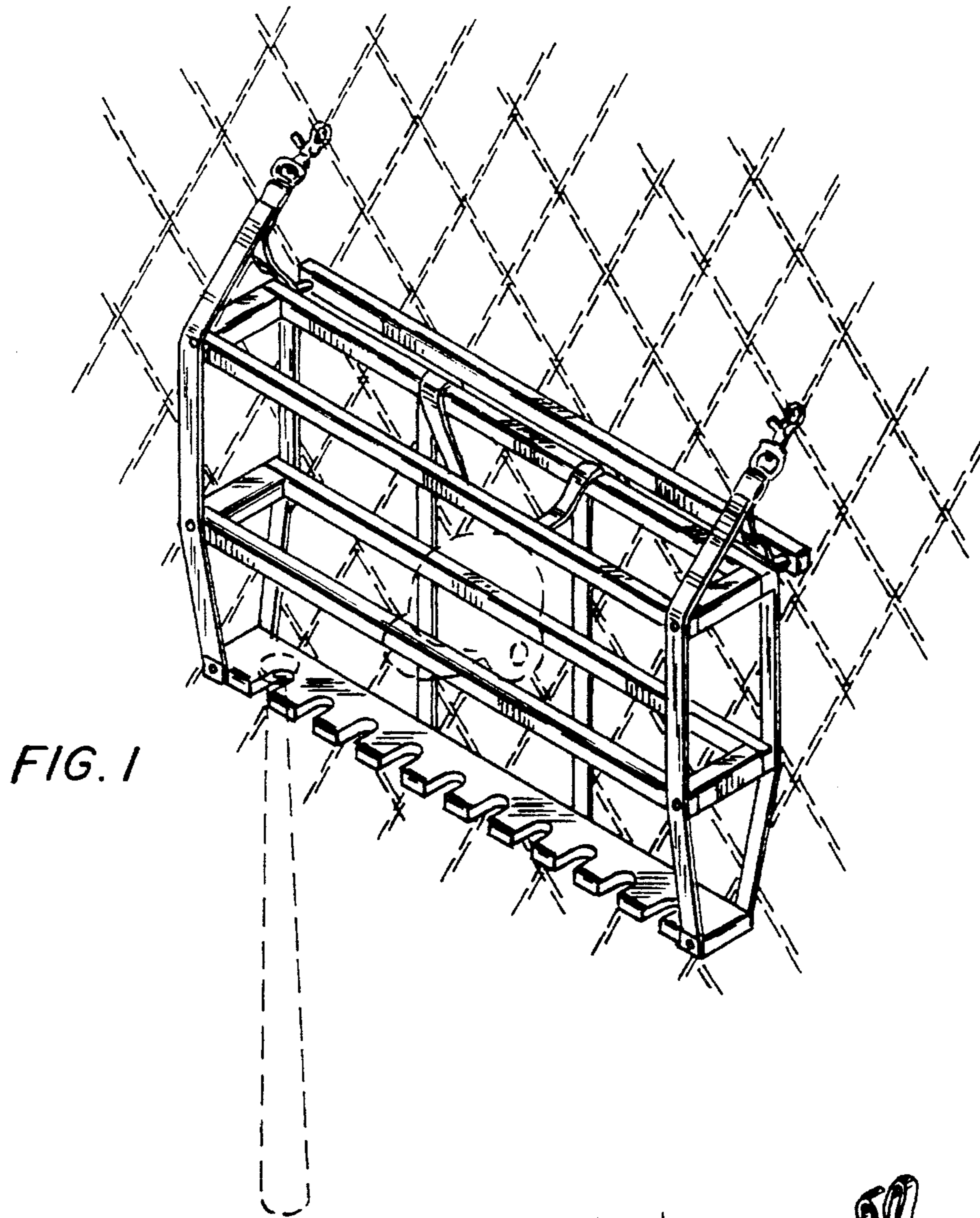
Baseball/Softball, Softball Coaches Buying Club, 1993
Catalog, p. 31.

The bat, helmet and fence shown in broken lines in FIG. 1 and the hand shown in broken lines in FIG. 2 denote the nature and environmental use of the design and are not part of the design.

Primary Examiner—Brian N. Vinson

1 Claim, 3 Drawing Sheets





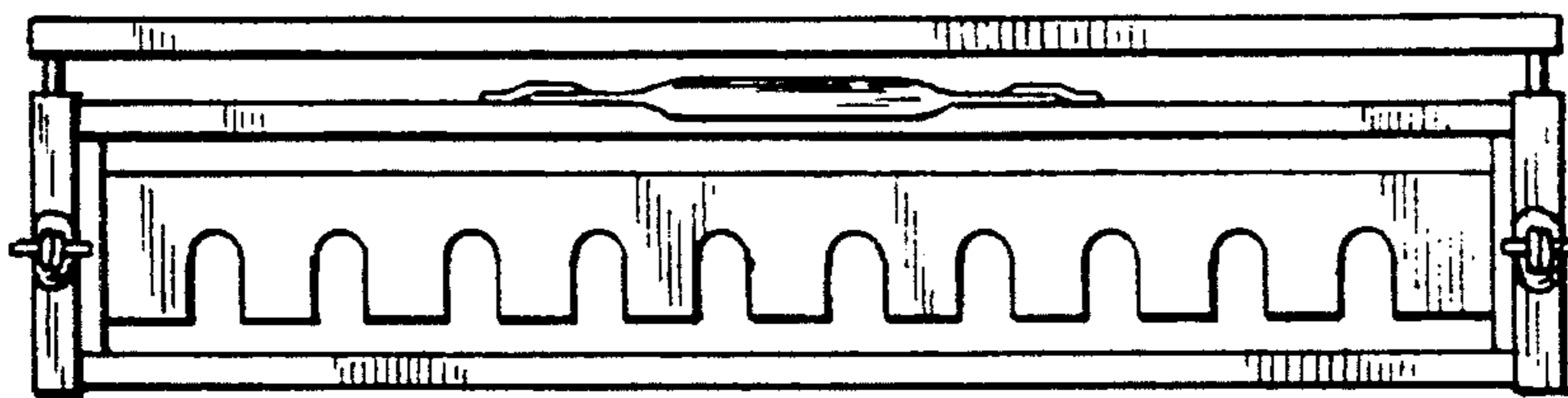
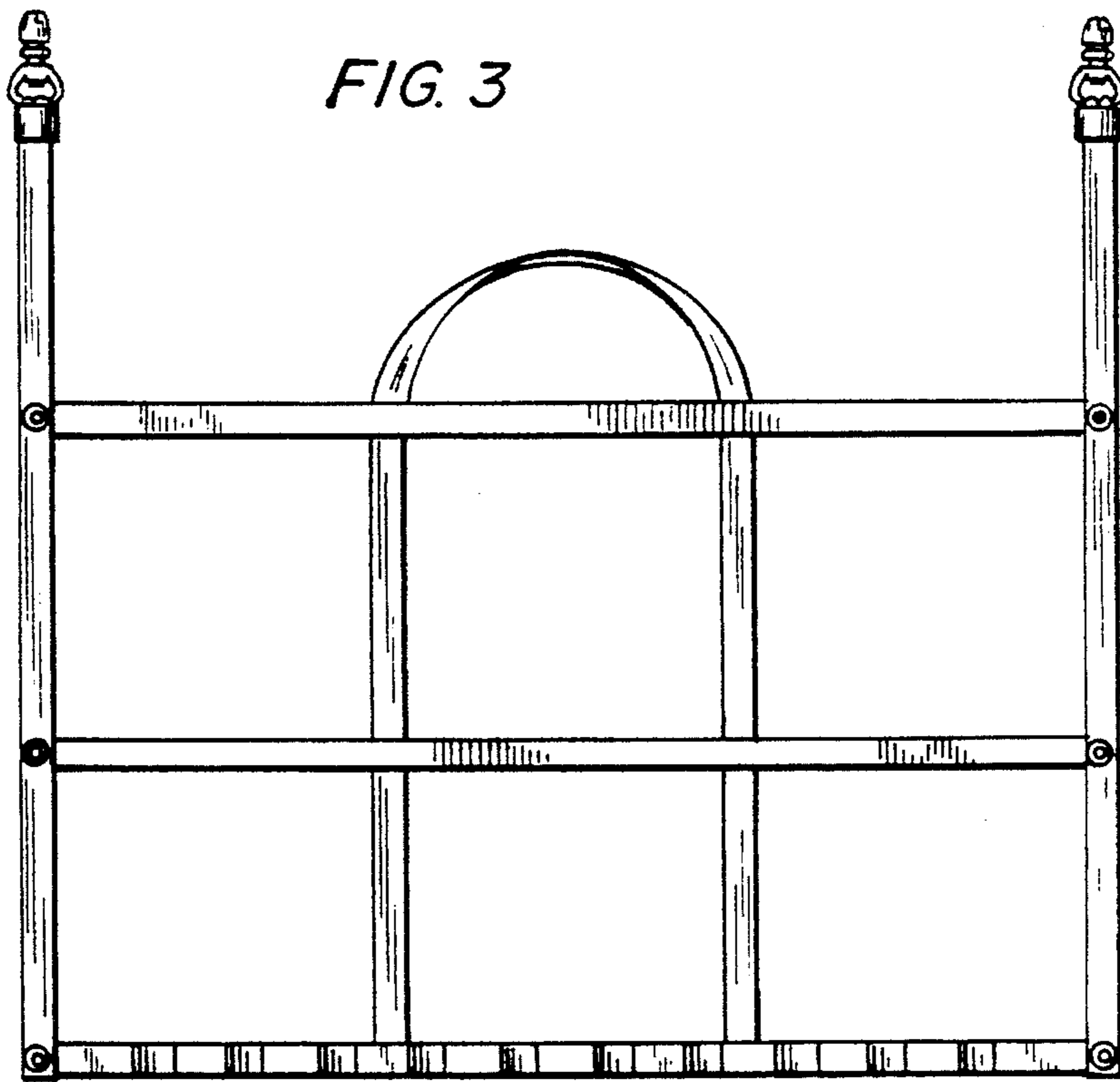


FIG. 4

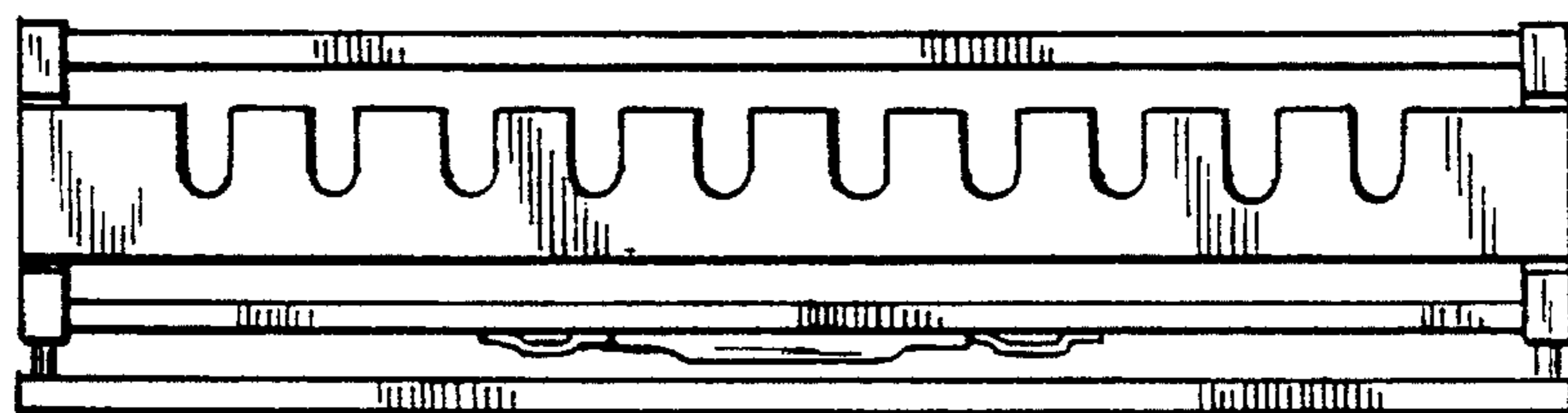


FIG. 5

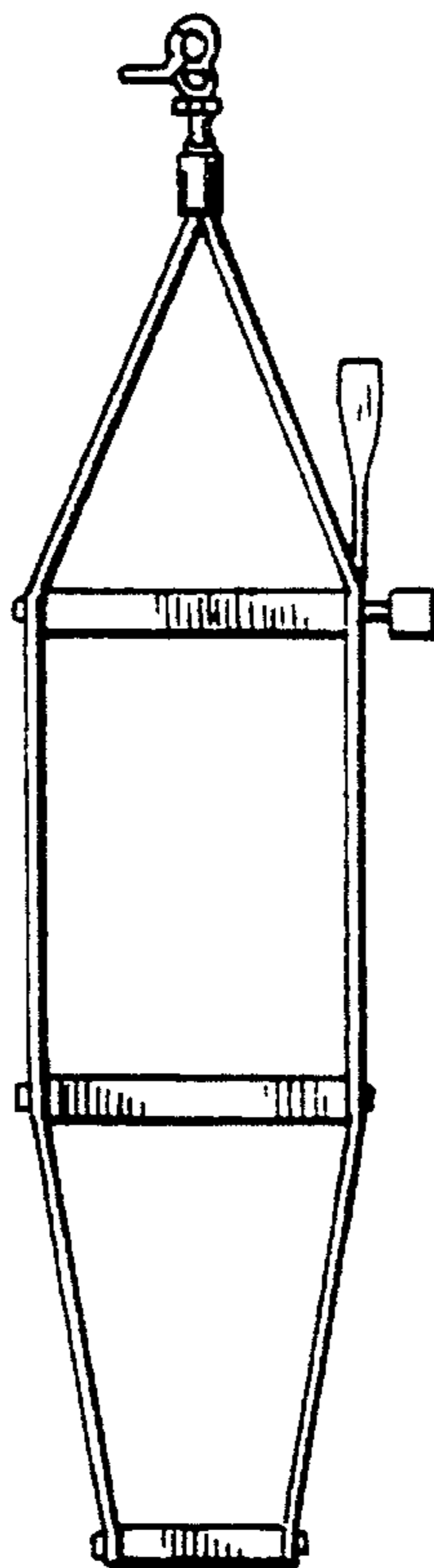
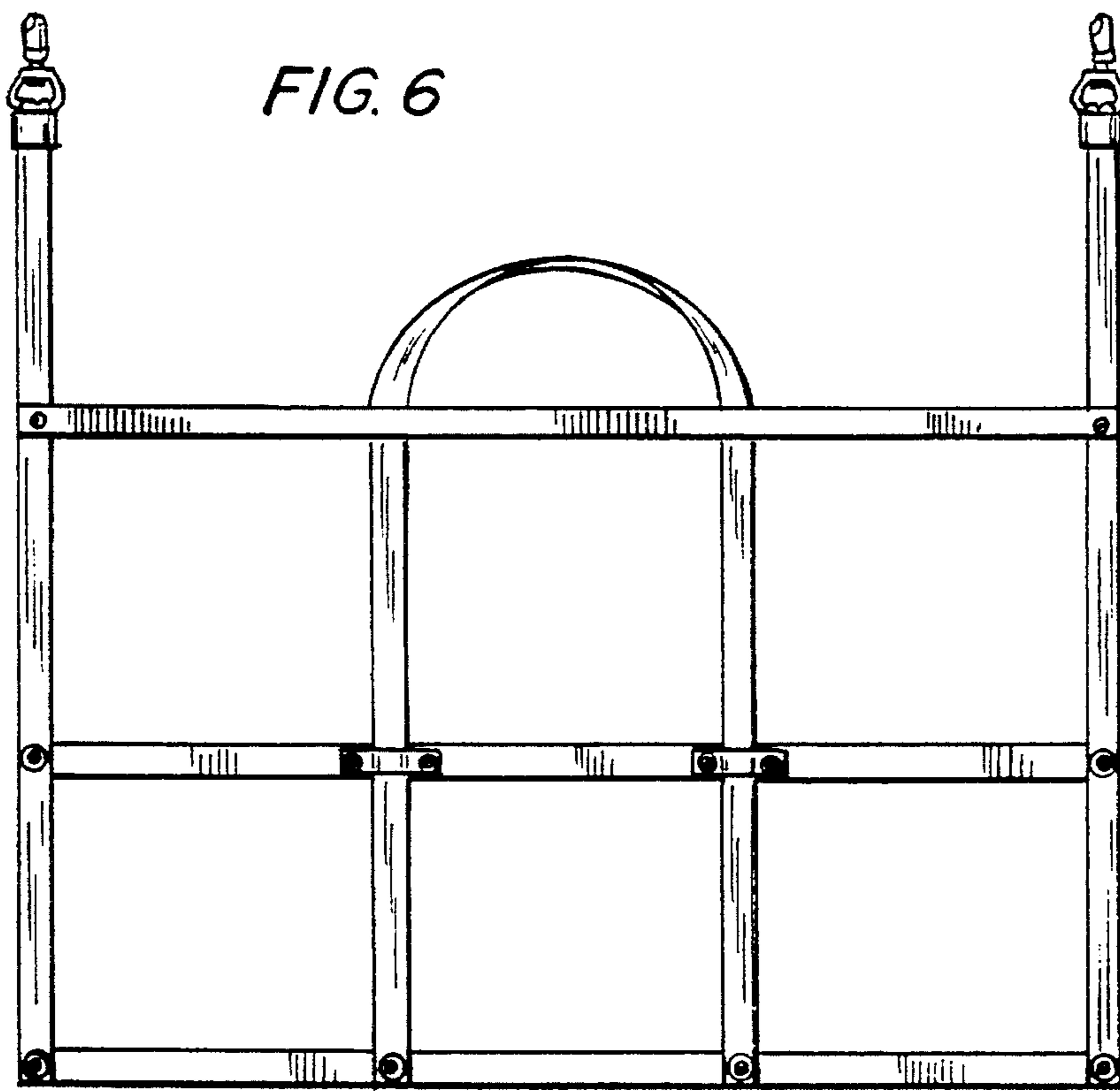


FIG. 7