



US00D377567S

United States Patent [19]

Scott

[11] Patent Number: **Des. 377,567**

[45] Date of Patent: ****Jan. 28, 1997**

[54] **FRAME SUPPORT FOR A RECLINING CHAIR**

[75] Inventor: **Donald G. Scott**, Tupelo, Miss.

[73] Assignee: **The Troxel Company**, Moscow, Tenn.

[**] Term: **14 Years**

[21] Appl. No.: **51,842**

[22] Filed: **Feb. 13, 1996**

[52] U.S. Cl. **D6/495**; D6/499; D6/546

[58] Field of Search D6/373, 546, 549, D6/491, 495, 496, 498, 499; 297/68; 248/188.1, 440.1

[56] **References Cited**

U.S. PATENT DOCUMENTS

D. 175,833	10/1955	Gratz	D6/373
D. 278,195	4/1985	Tisbo et al.	D6/373
D. 279,733	7/1985	Nakamura	D6/373
D. 293,050	12/1987	Lemmeyer et al.	D6/373

Primary Examiner—Janice E. Seeger
Attorney, Agent, or Firm—Walker, McKenzie & Walker, P.C.

[57] **CLAIM**

The ornamental design for a frame support for a reclining chair, as shown and described.

DESCRIPTION

FIG. 1 is a side elevational view of a frame support for a reclining chair, showing the new design;

FIG. 2 is an end elevational view of the frame support for a reclining chair, the opposite end elevational view being a mirror image thereof;

FIG. 3 is a bottom plan view of the frame support for a reclining chair;

FIG. 4 is a top plan view of the frame support for a reclining chair;

FIG. 5 is an enlarged fragmentary perspective view of one end of the frame support for a reclining chair to more clearly illustrate the design thereof, the opposite end fragmentary perspective view being a mirror image thereof; and,

FIG. 6 is a further enlarged top plan view of a portion of one end of that shown in FIG. 4, the opposite end being a mirror image thereof.

1 Claim, 2 Drawing Sheets

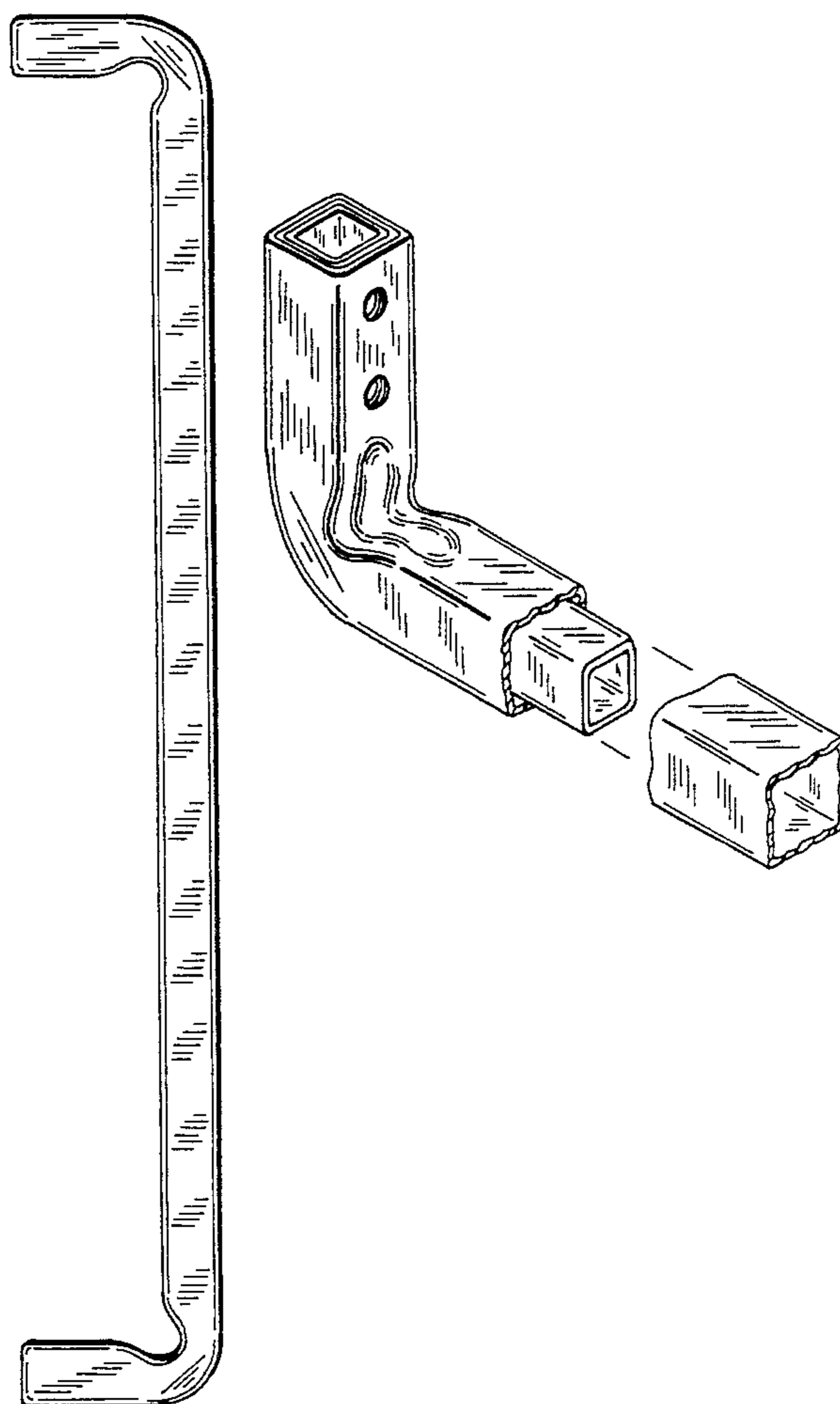


FIG. 2



FIG. 1

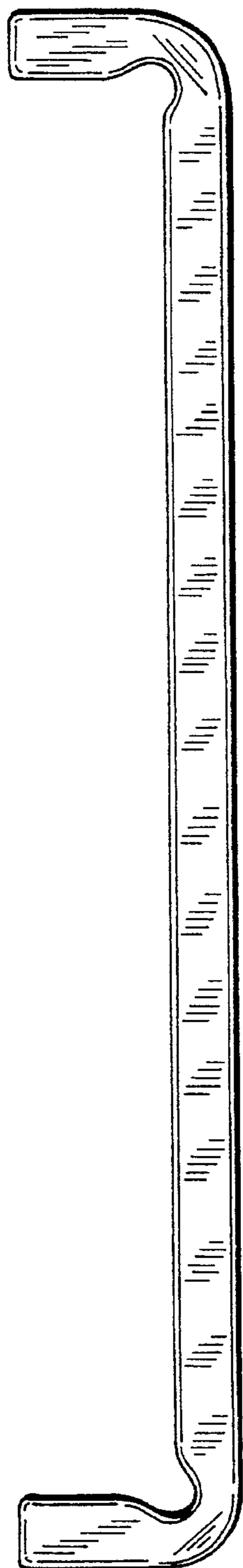


FIG. 3

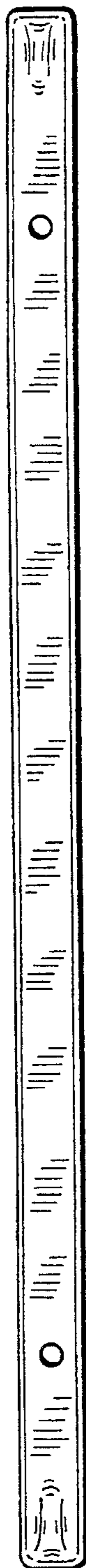


FIG. 4



