



US00D377564S

United States Patent [19]
Brown

[11] **Patent Number: Des. 377,564**

[45] **Date of Patent: **Jan. 28, 1997**

[54] **SHOULDER PAD FOR CARRYING SKIS**

[76] Inventor: **Alicia T. Brown**, 10467 Barnwall St.,
Bellflower, Calif. 90706

[**] Term: **14 Years**

[21] Appl. No.: **51,050**

[22] Filed: **Feb. 29, 1996**

[52] U.S. Cl. **D3/221; D3/259**

[58] Field of Search **D3/221, 254, 261,
D3/259; 224/917; 2/267, 268, 305**

[56] **References Cited**

U.S. PATENT DOCUMENTS

D. 261,327	10/1981	Raye	D3/259
D. 320,696	10/1991	Butler	D3/259
2,441,785	5/1948	Zacks	2/268
2,467,488	4/1949	Markham	2/268
3,279,008	10/1966	Wallach	D3/18 X

Primary Examiner—Doris V. Coles
Assistant Examiner—Catherine R. Oliver

[57] **CLAIM**

The ornamental design for a shoulder pad for carrying skis,
as shown and described.

DESCRIPTION

FIG. 1 is a front elevational view of a first embodiment of

a shoulder pad for carrying skis showing my new design;

FIG. 2 is a rear elevational view thereof;

FIG. 3 is a top plan view, with the bottom plan view being
a mirror image thereof;

FIG. 4 is a left side view, with the right side view being a
mirror image thereof;

FIG. 5 is a perspective view, with the straps shown in a
closed position;

FIG. 6 is a front elevational view of a second embodiment;

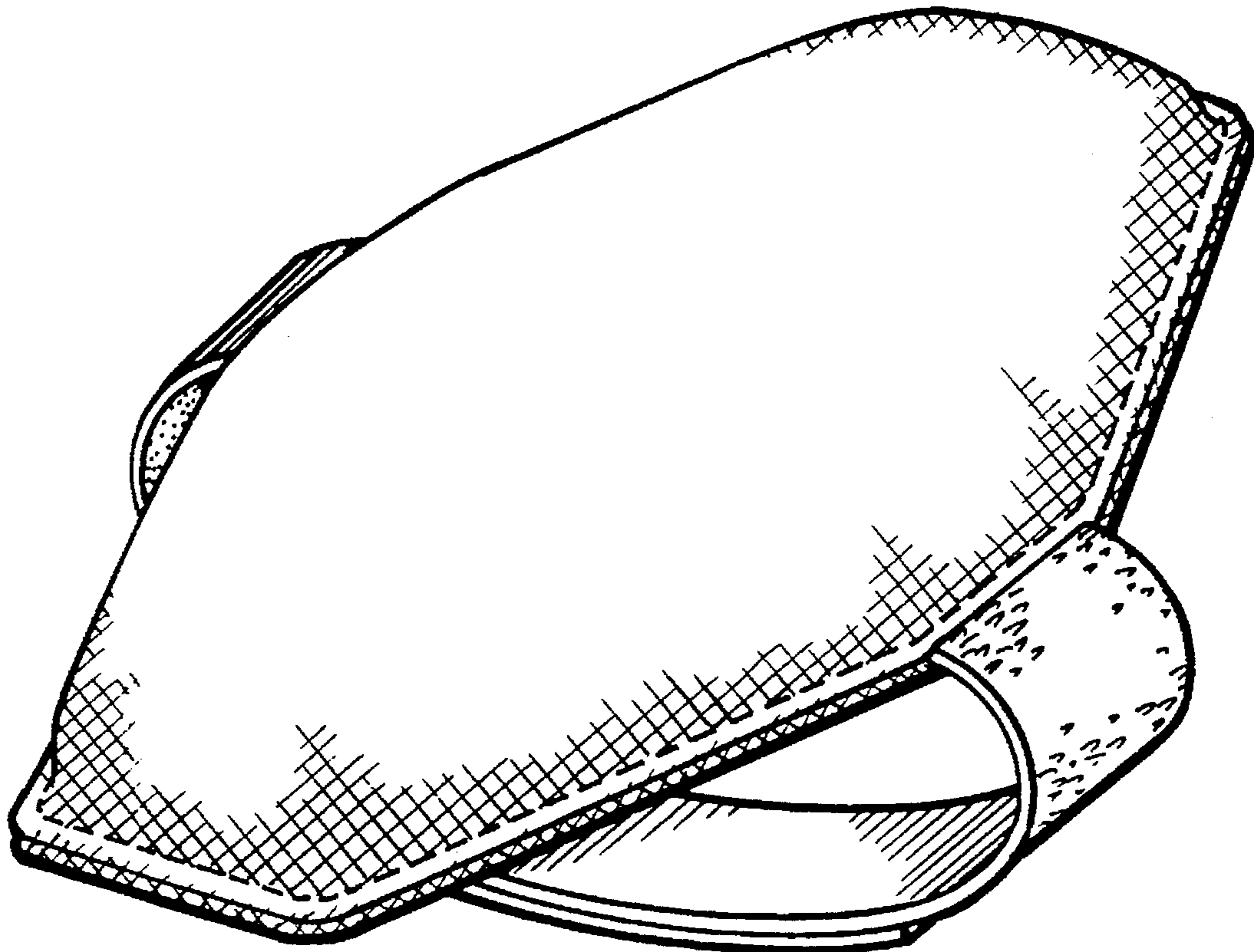
FIG. 7 is a rear elevational view thereof;

FIG. 8 is a top plan view, with the bottom plan view being
a mirror image thereof;

FIG. 9 is a left side view, with the right side view being a
mirror image thereof; and,

FIG. 10 is a perspective view, with the straps shown in a
closed position.

1 Claim, 8 Drawing Sheets



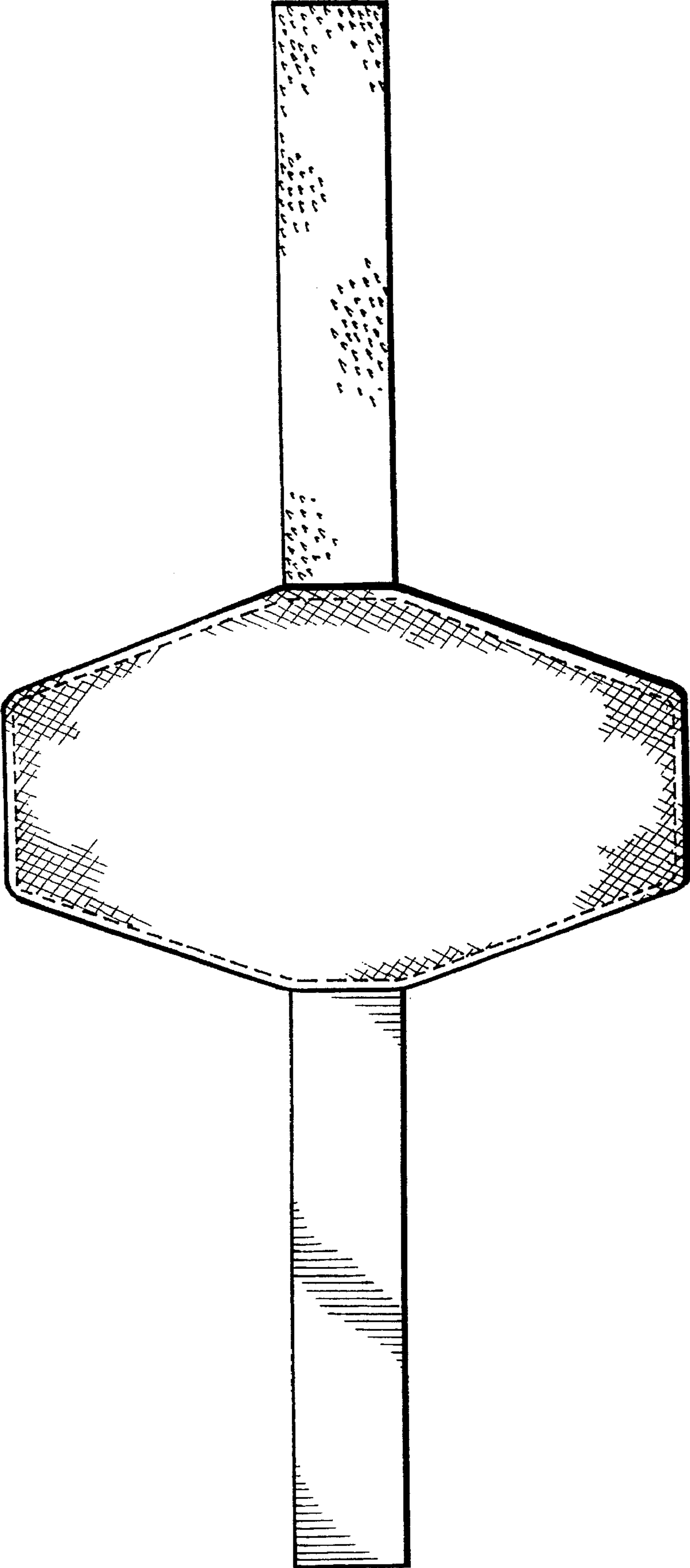


FIG. 1

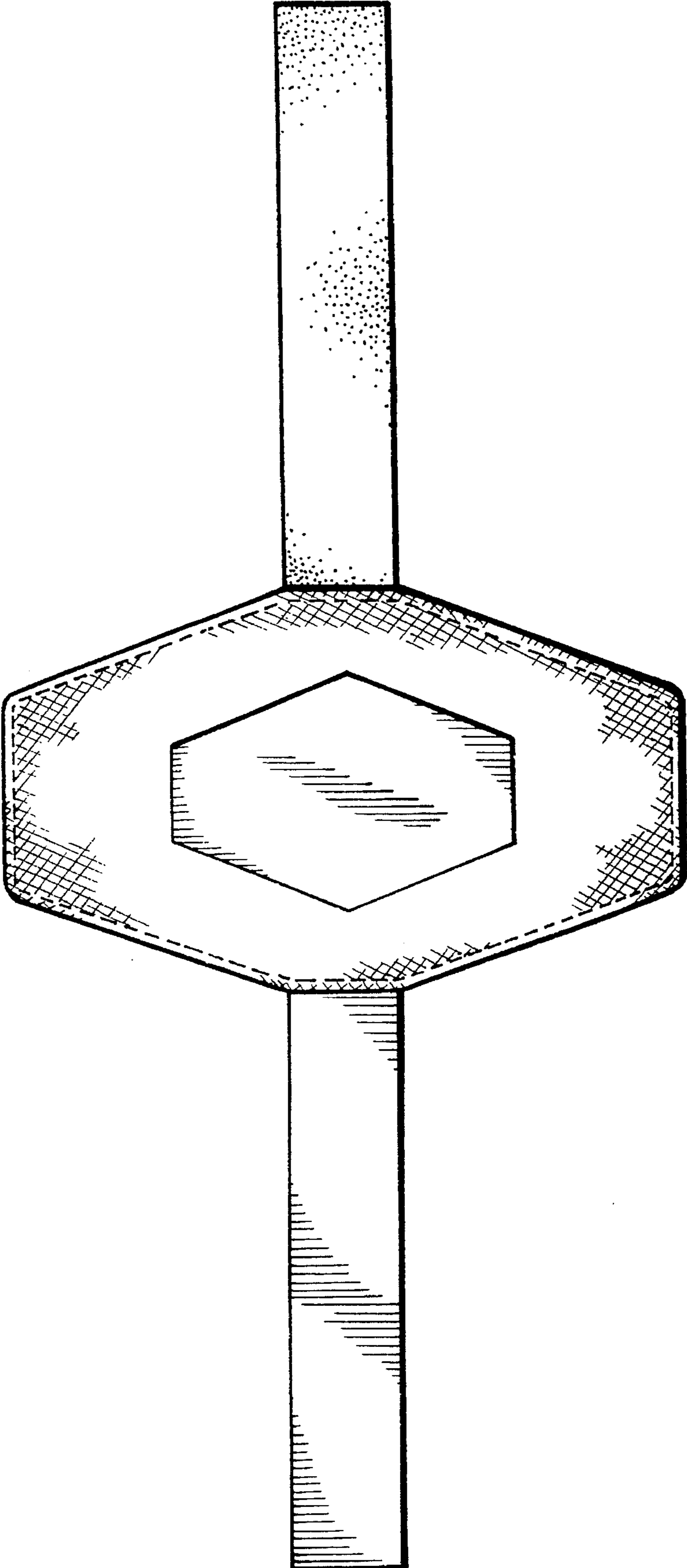


FIG. 2

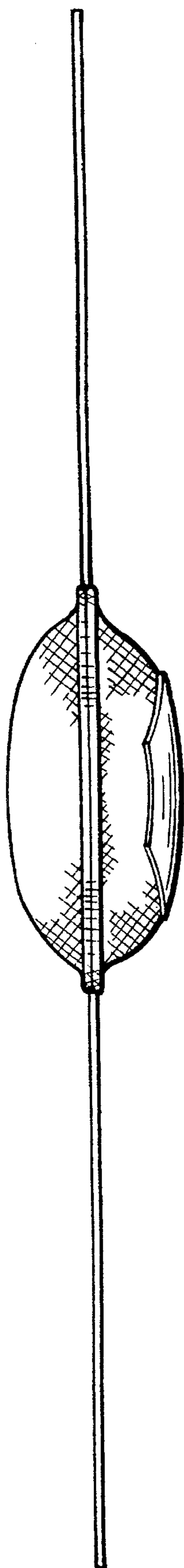


FIG. 3

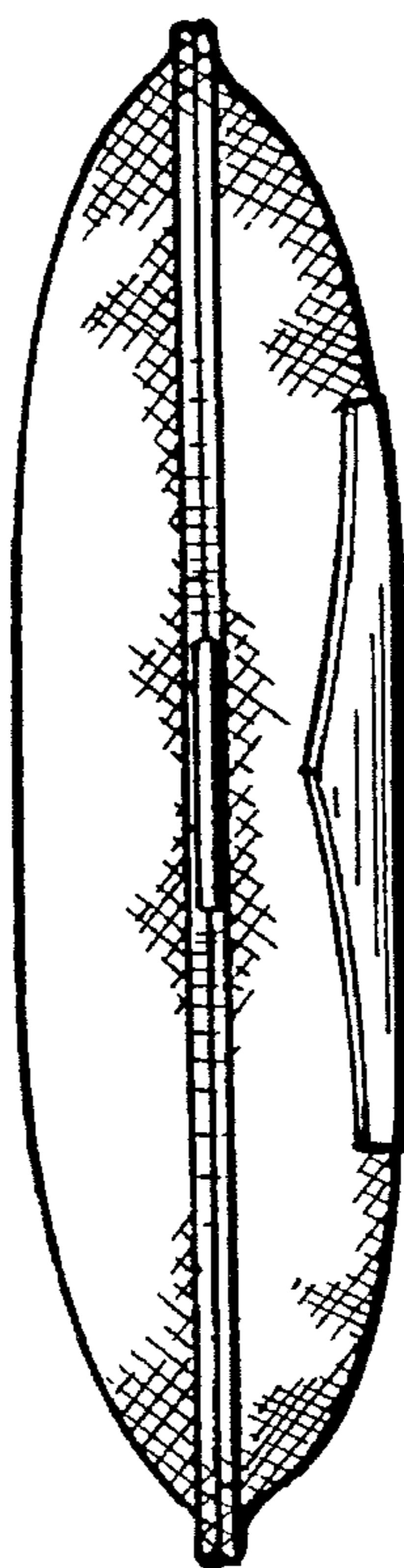


FIG. 4

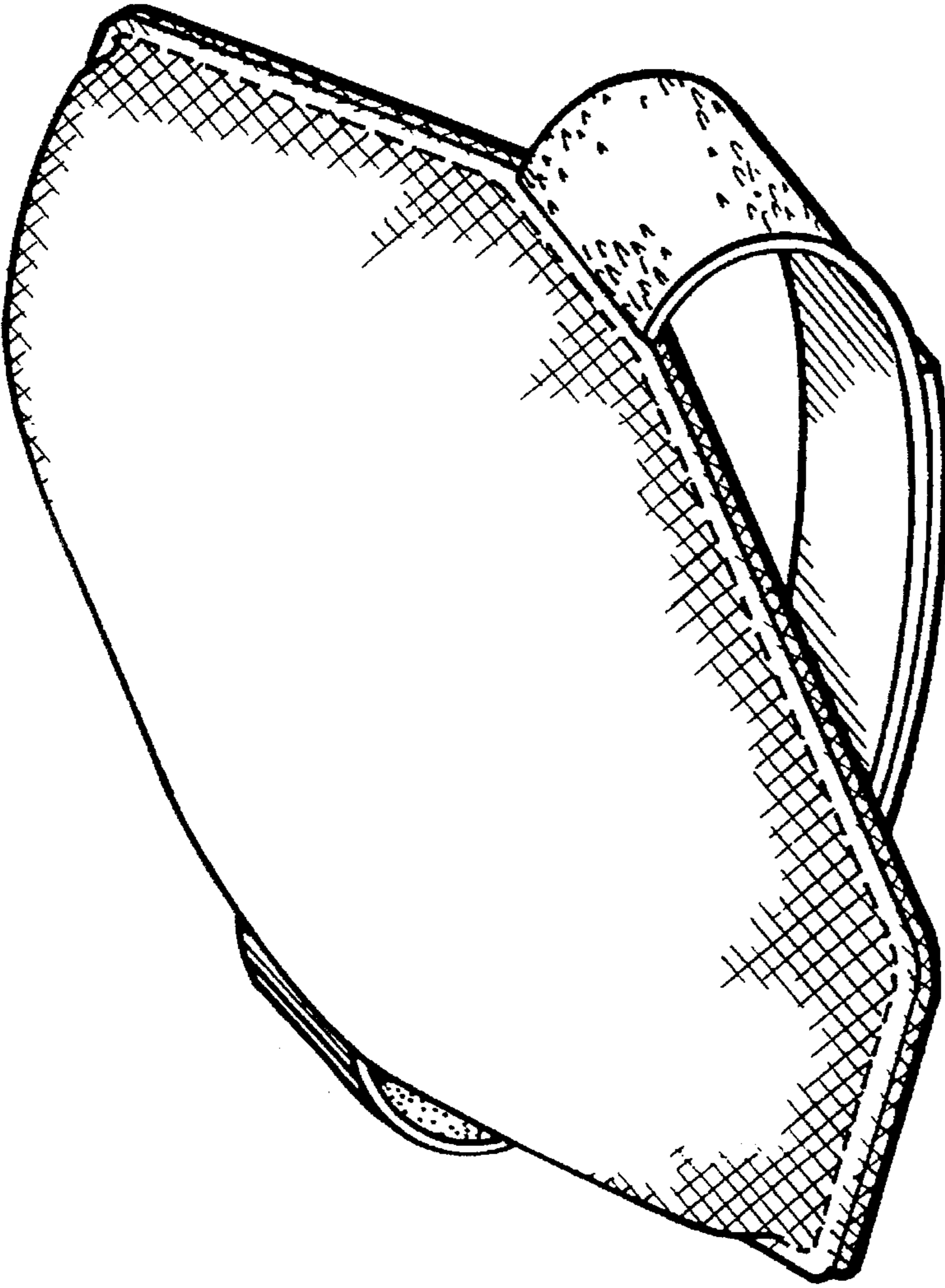


FIG. 5

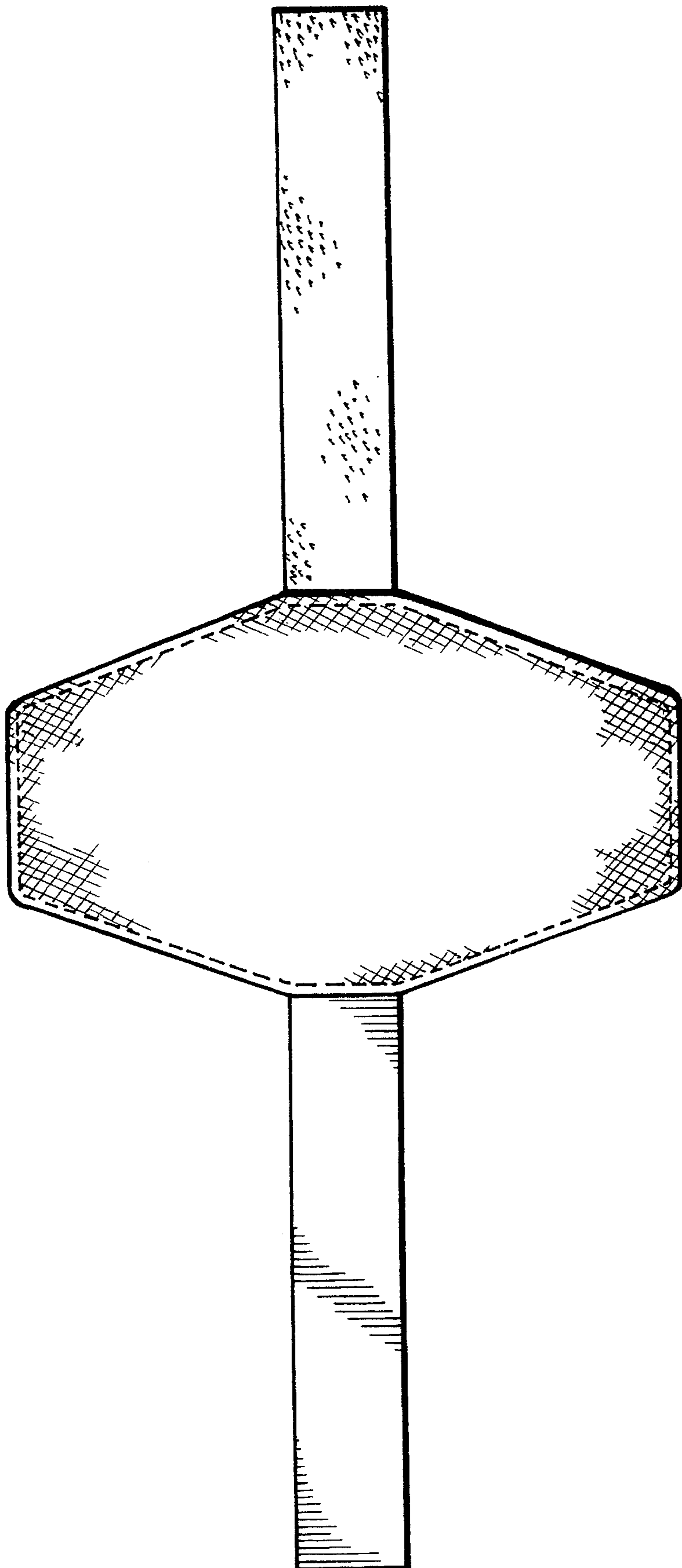


FIG. 6

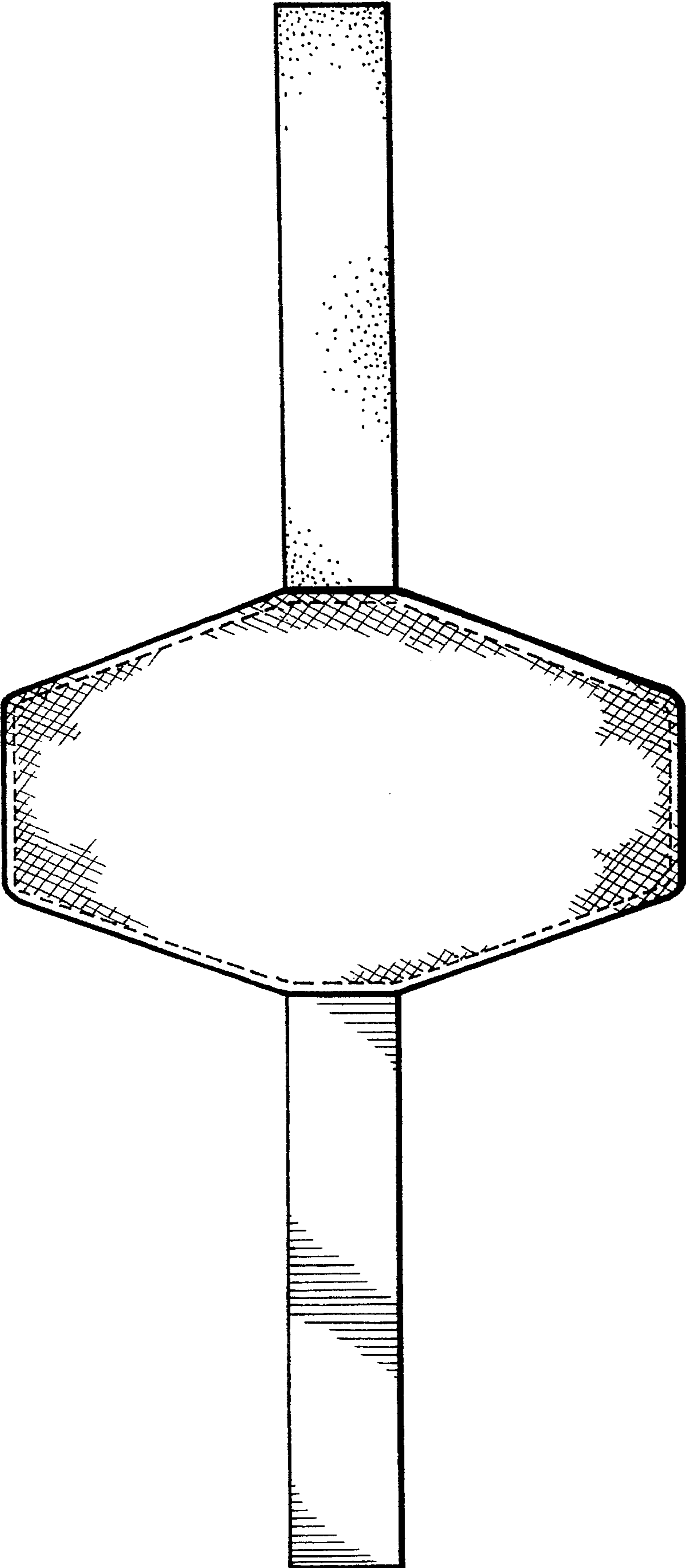


FIG. 7

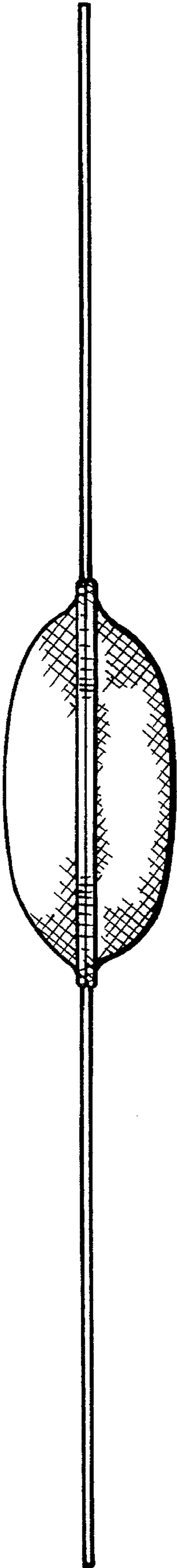


FIG. 8

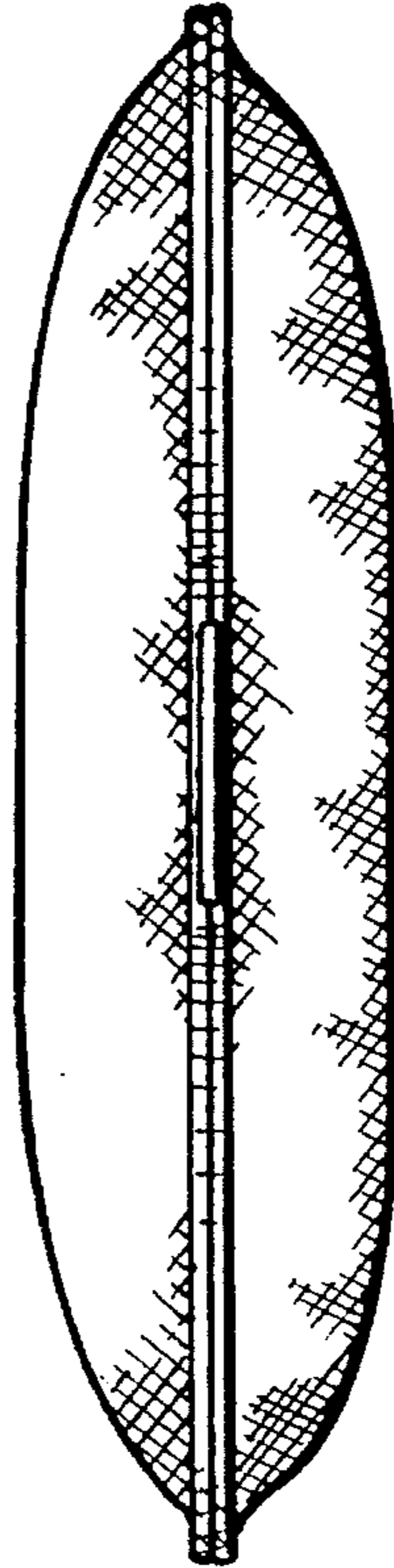


FIG. 9

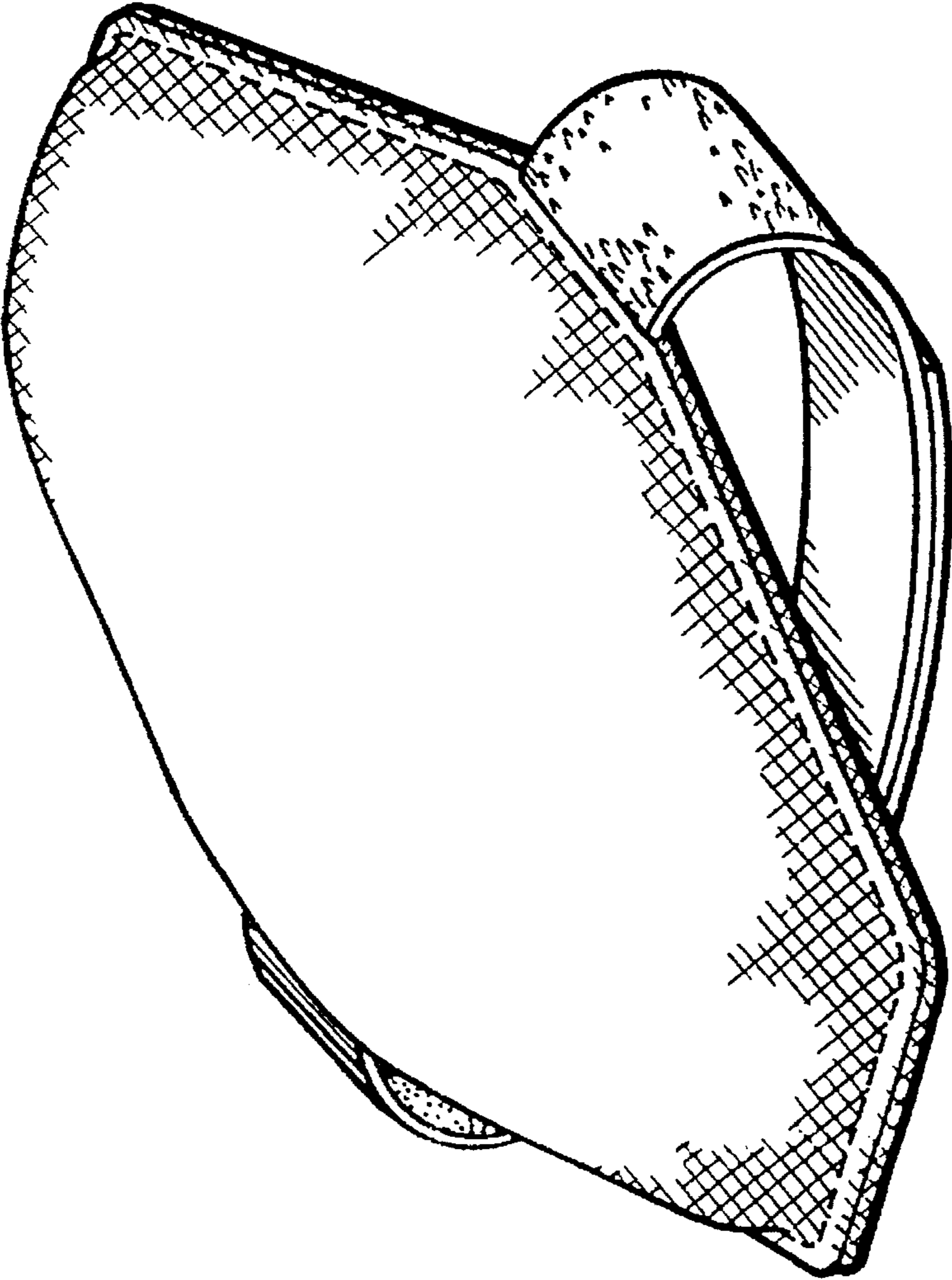


FIG. 10