



US00D377561S

United States Patent [19]

McClelland

[11] Patent Number: **Des. 377,561**

[45] Date of Patent: ****Jan. 28, 1997**

[54] FOOTWEAR WELT WRAP

4,651,443 3/1987 Echstron 36/78 X

[75] Inventor: **Larry W. McClelland**, Rockford, Mich.

Primary Examiner—Dominic Simone
Attorney, Agent, or Firm—Warner Norcross & Judd

[73] Assignee: **Wolverine World Wide, Inc.**,
Rockford, Mich.

[57] CLAIM

[**] Term: **14 Years**

The ornamental design for footwear welt wrap, as shown and described.

[21] Appl. No.: **50,387**

DESCRIPTION

[22] Filed: **Feb. 16, 1996**

[52] U.S. Cl. **D2/977**

[58] Field of Search D2/946, 947, 977;
36/17 R, 78; 12/142 D

FIG. 1 is a perspective view of the footwear welt wrap embodying the new design showing a boot (environmental structure) in broken lines;

FIG. 2 is a perspective view of the footwear welt wrap; FIG. 3 is a sectional view thereof taken along line II—II of FIG. 2;

FIG. 4 is a top plan view thereof;

FIG. 5 is a bottom plan view thereof;

FIG. 6 is a left side elevational view thereof; and,

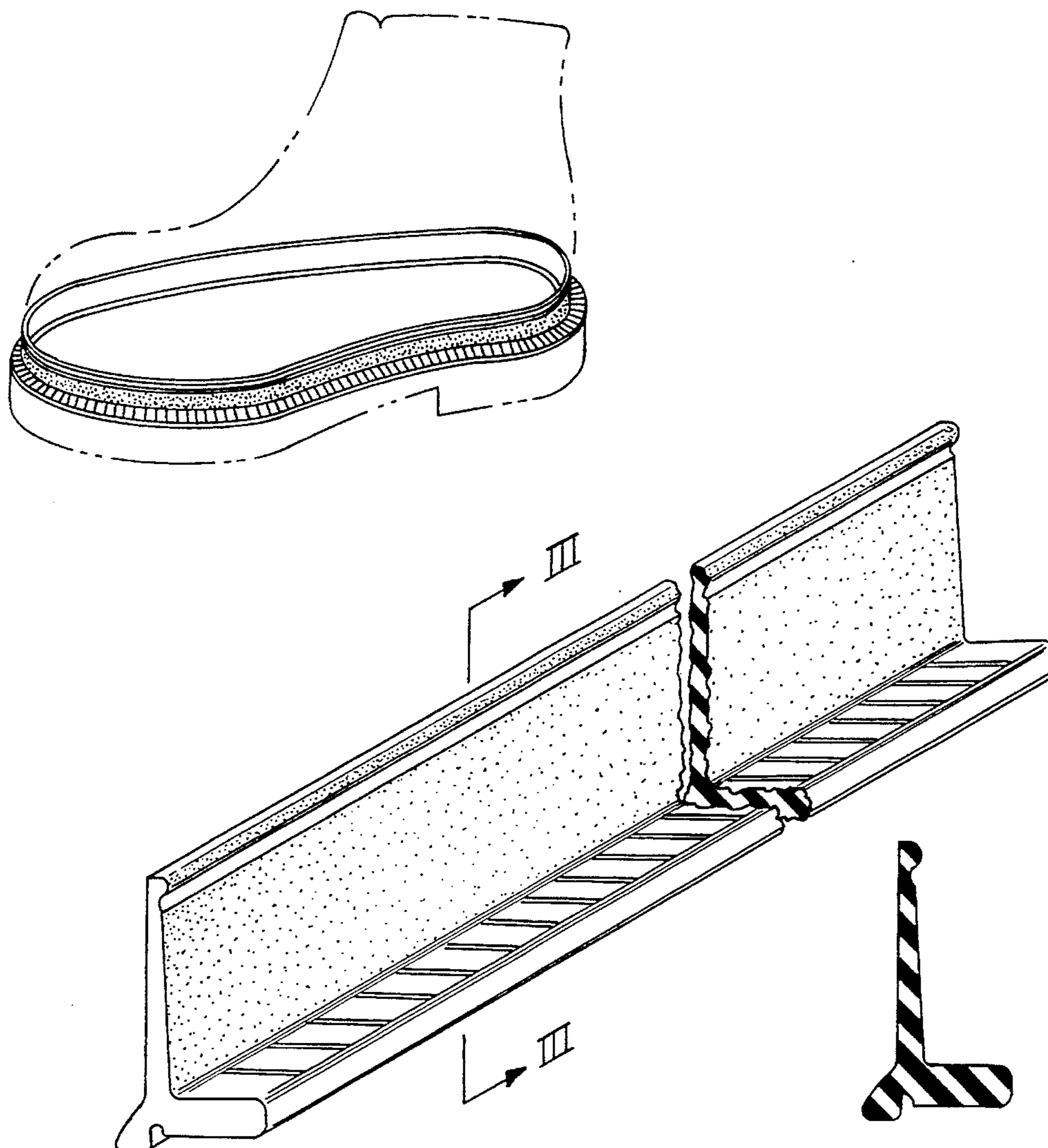
FIG. 7 is a right side elevational view thereof.

[56] References Cited

U.S. PATENT DOCUMENTS

D. 083,027	1/1931	Arnold	D2/977
D. 141,974	8/1945	Wright	D2/977
2,034,650	3/1936	Brown	36/78
2,438,095	3/1948	Phinney	36/78
3,170,253	2/1965	Johnson	36/78

1 Claim, 2 Drawing Sheets



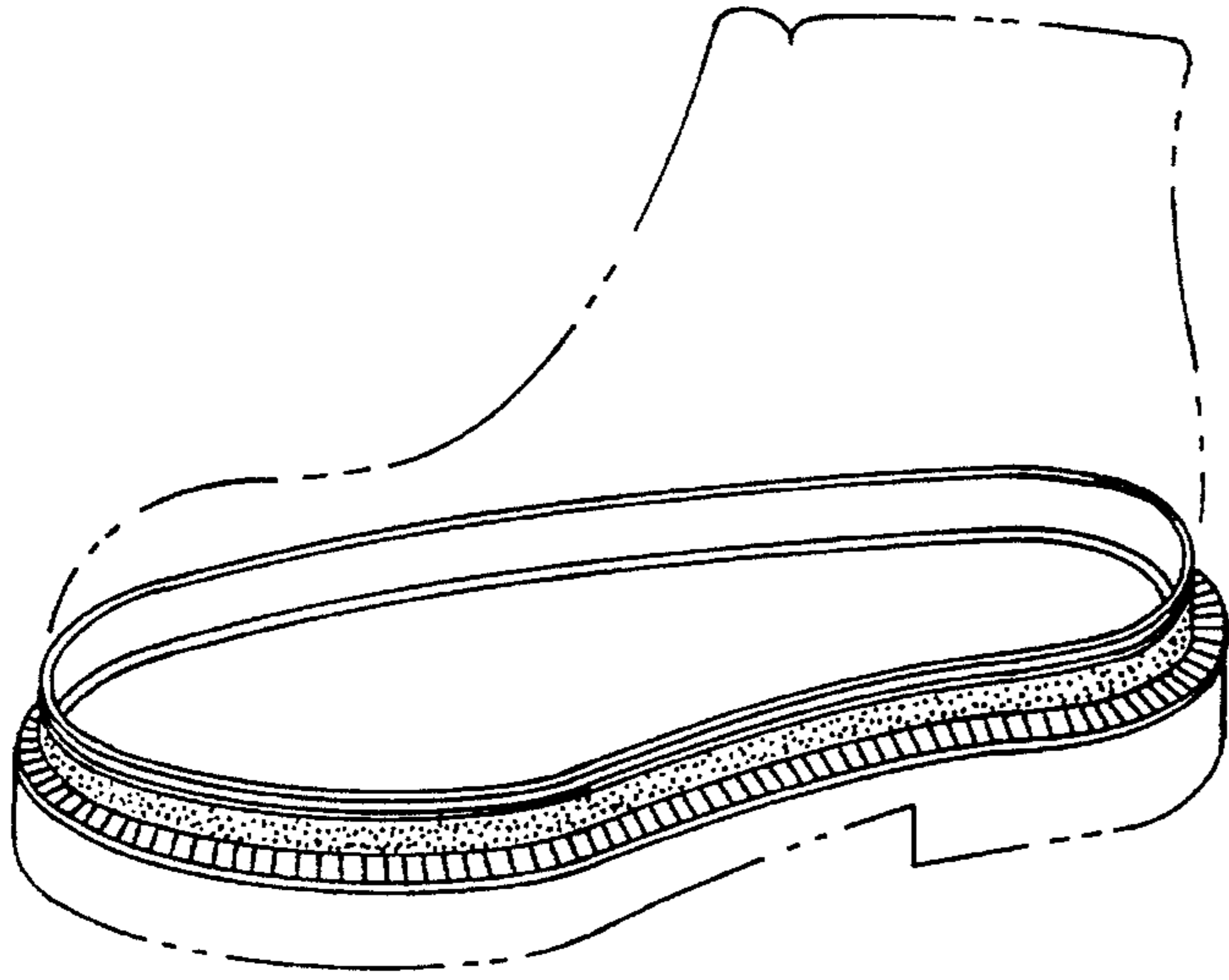


FIG. 1

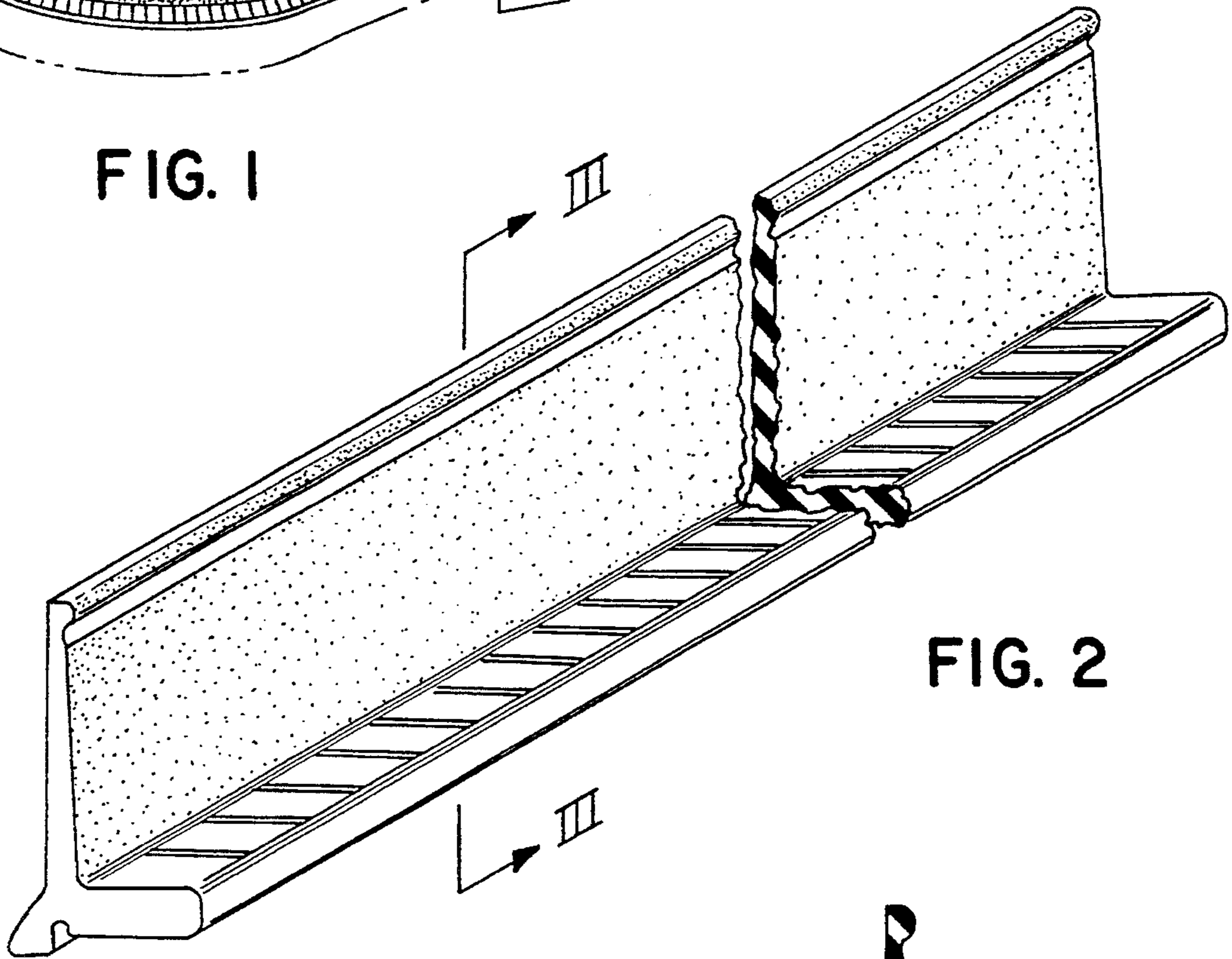


FIG. 2

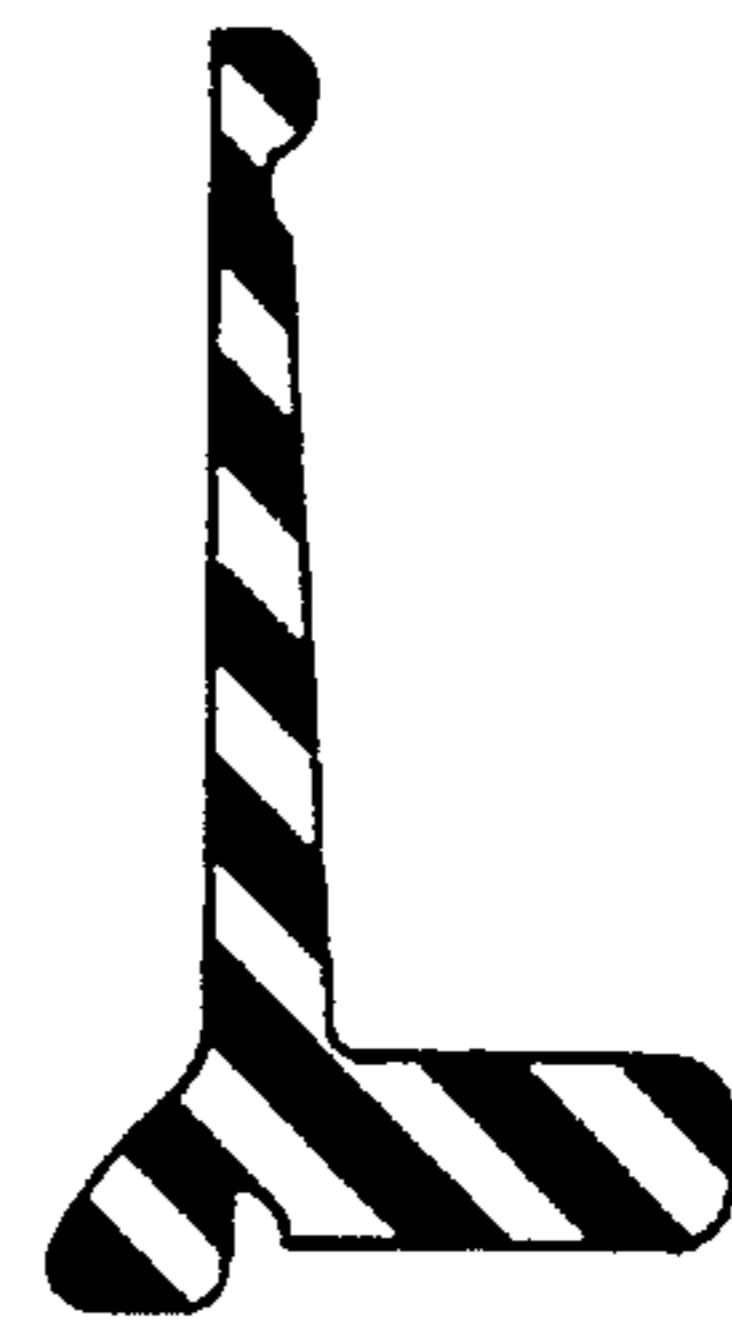


FIG. 3

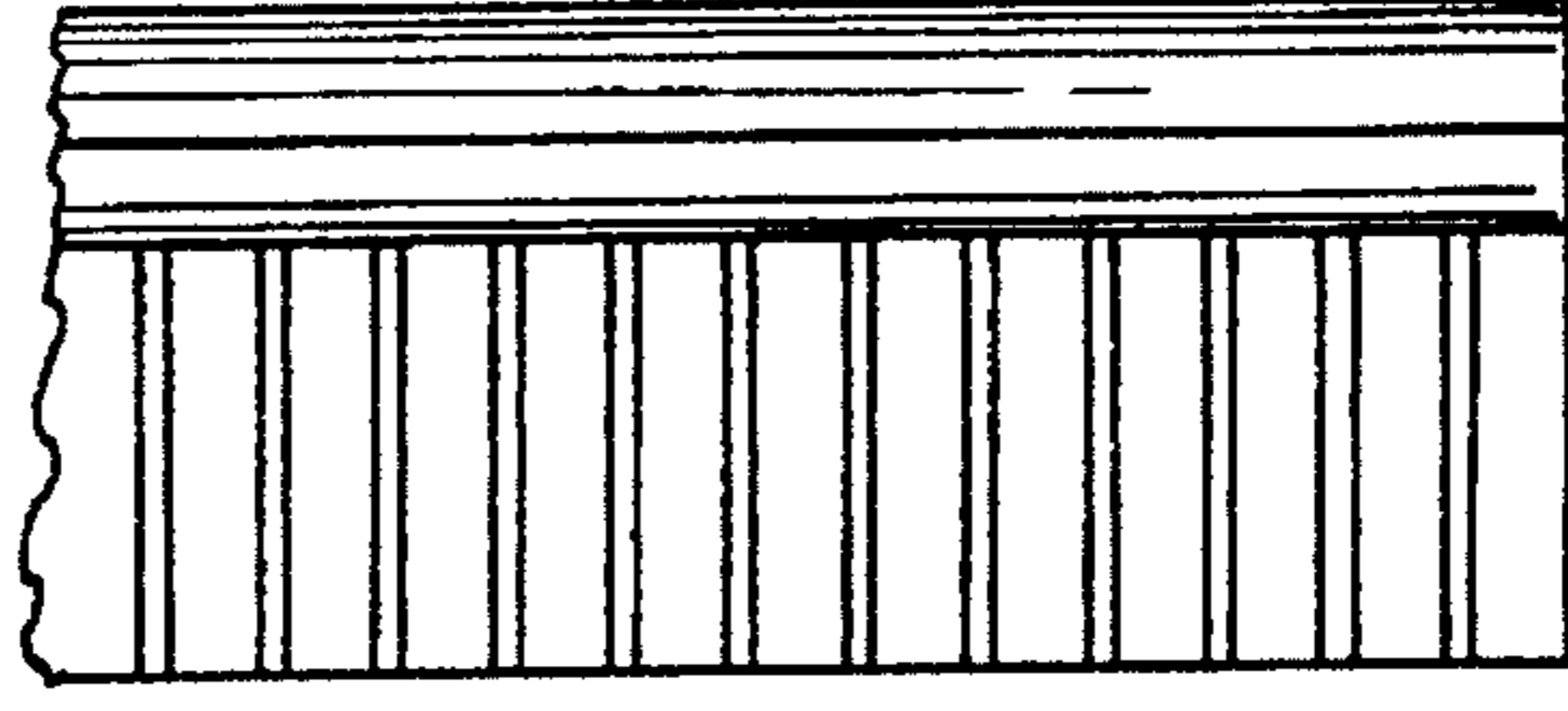
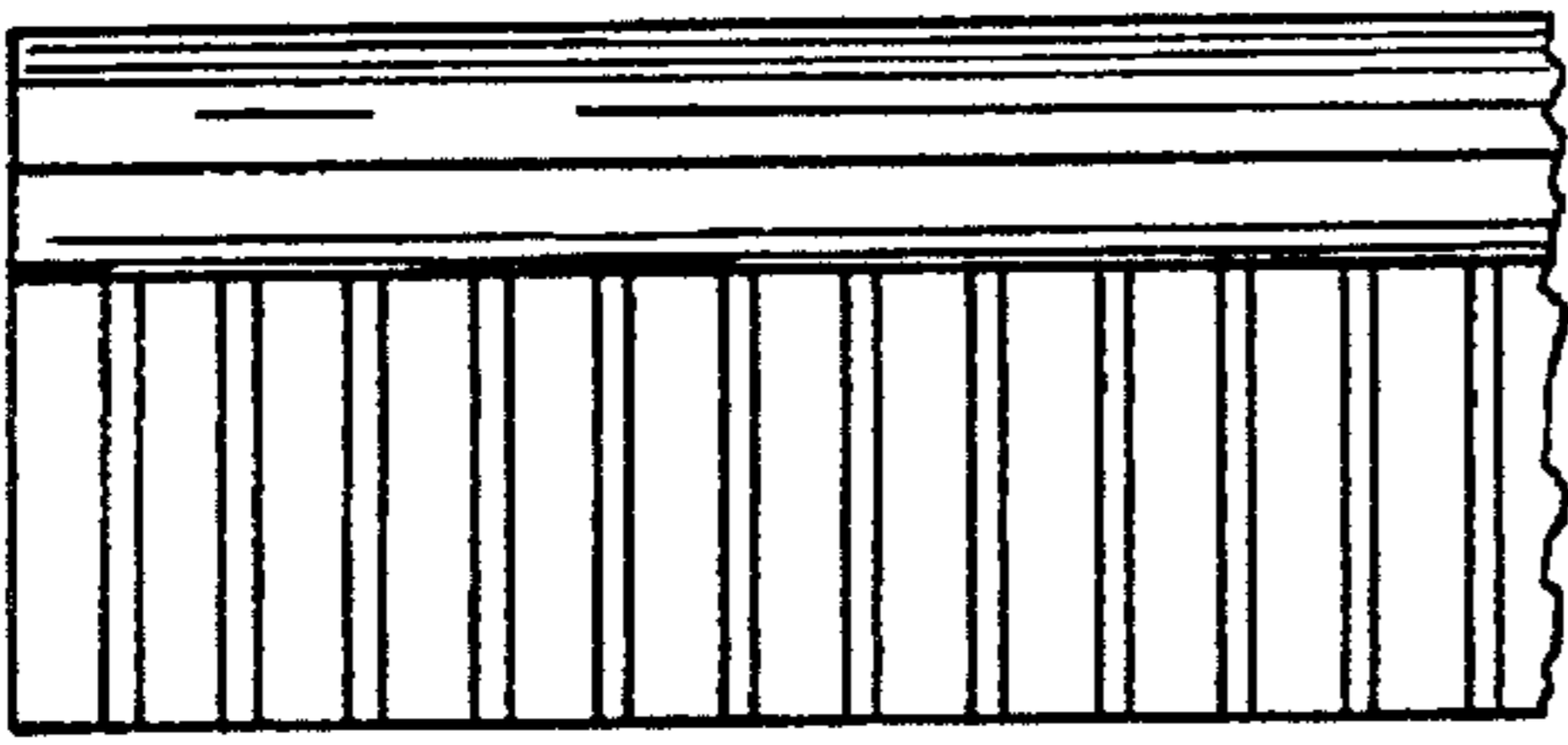


FIG. 4

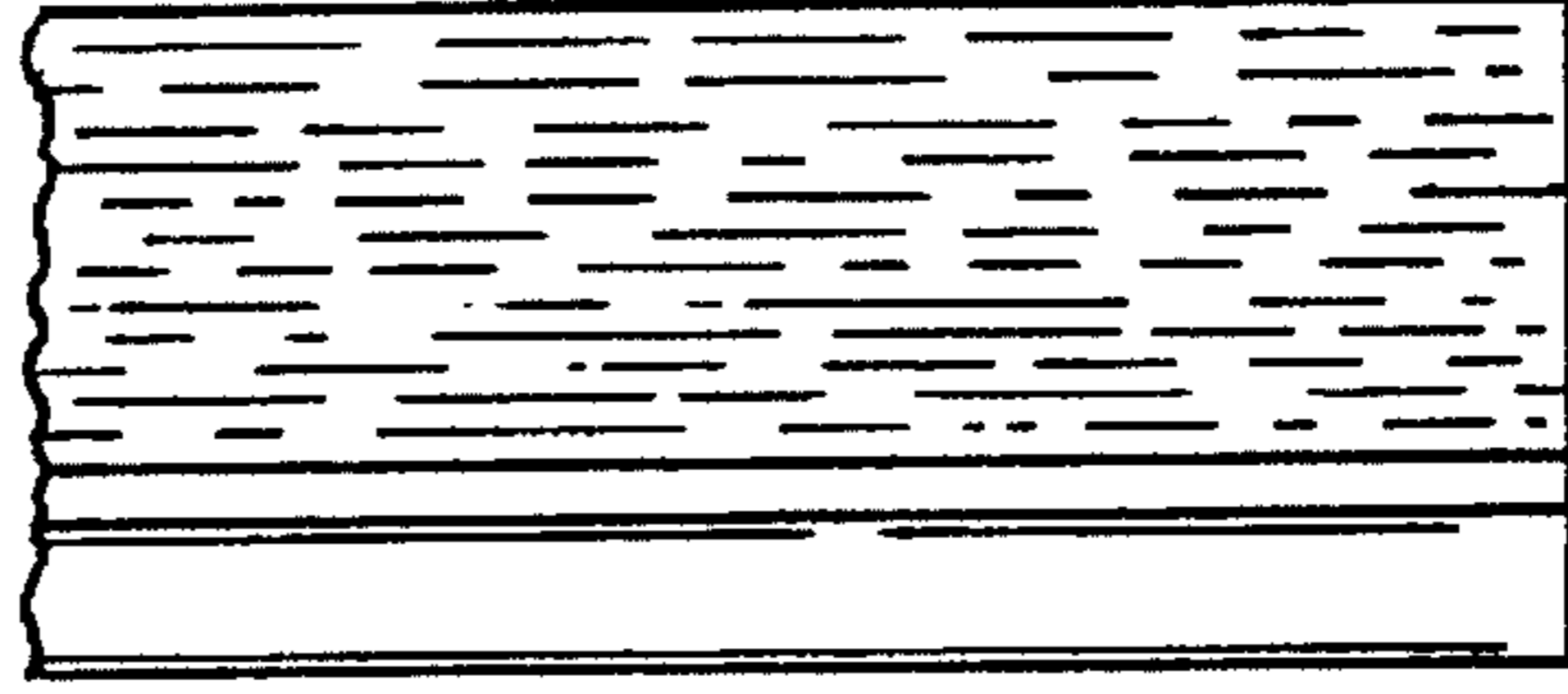
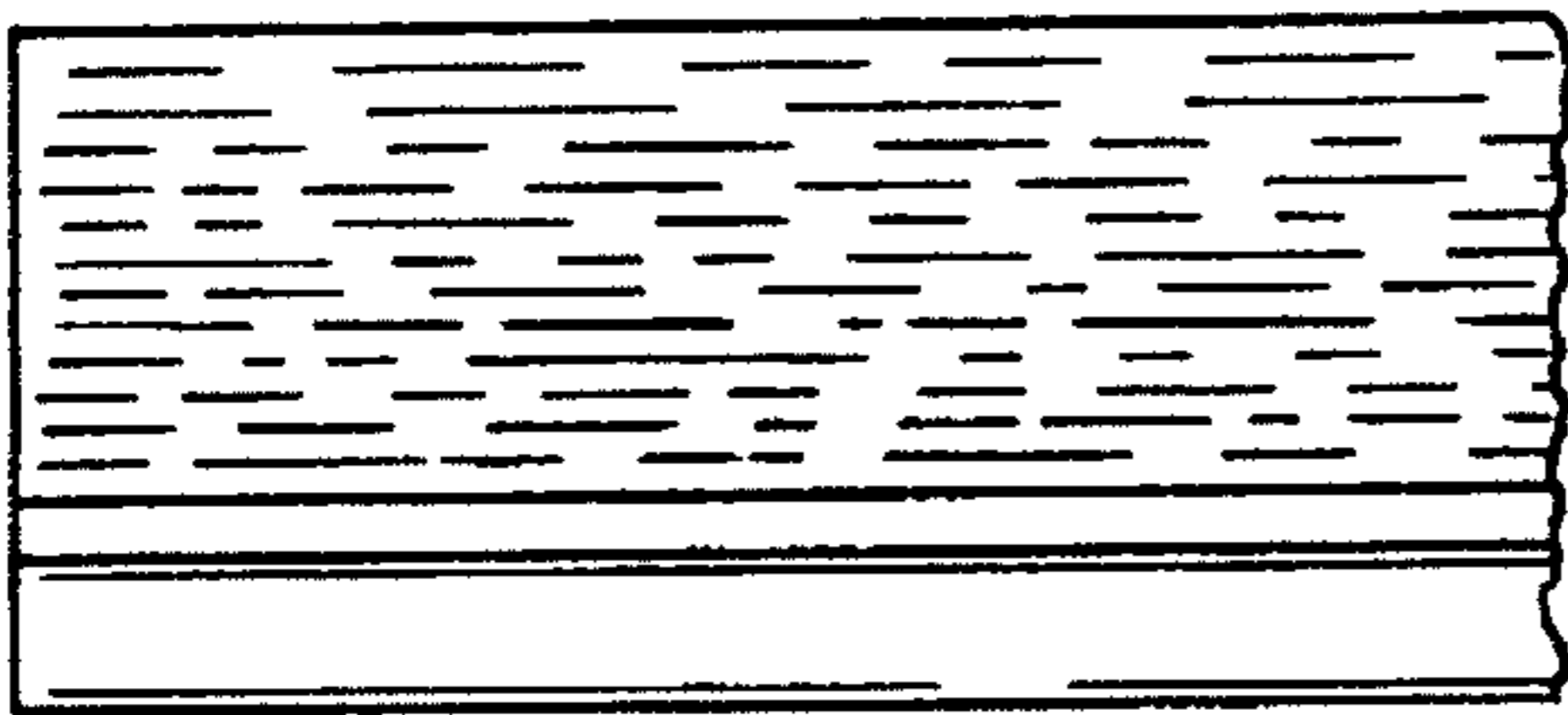


FIG. 5

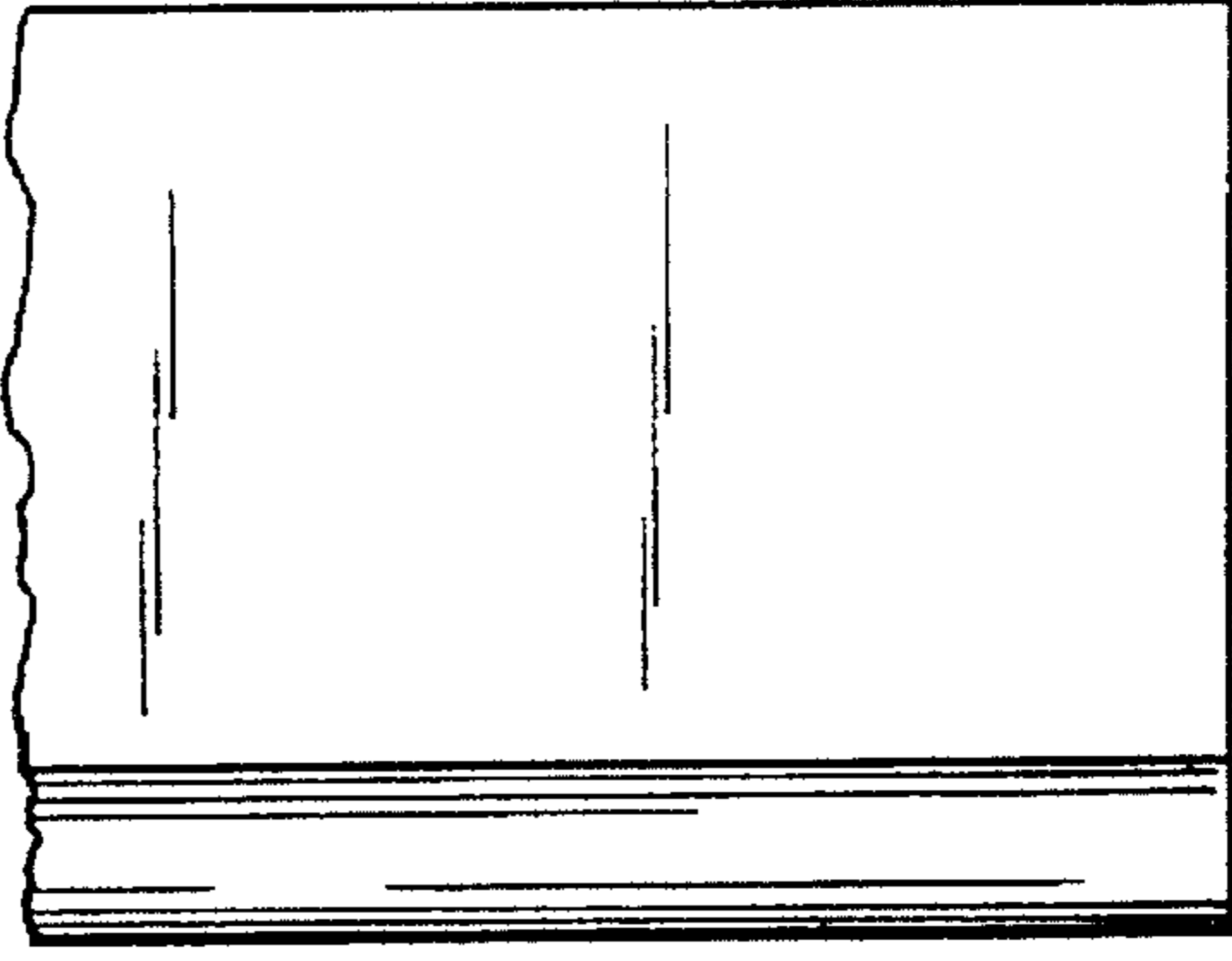
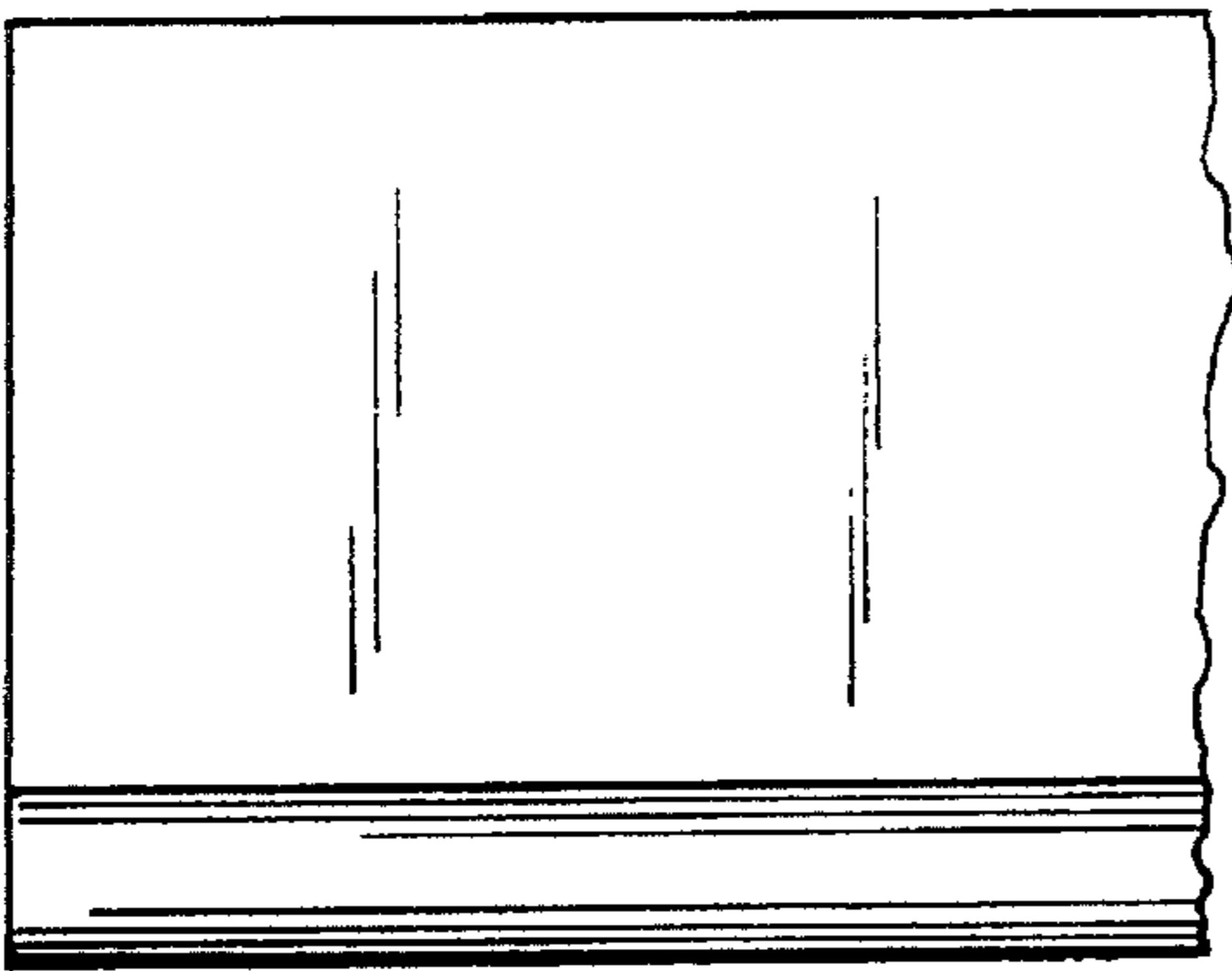


FIG. 6

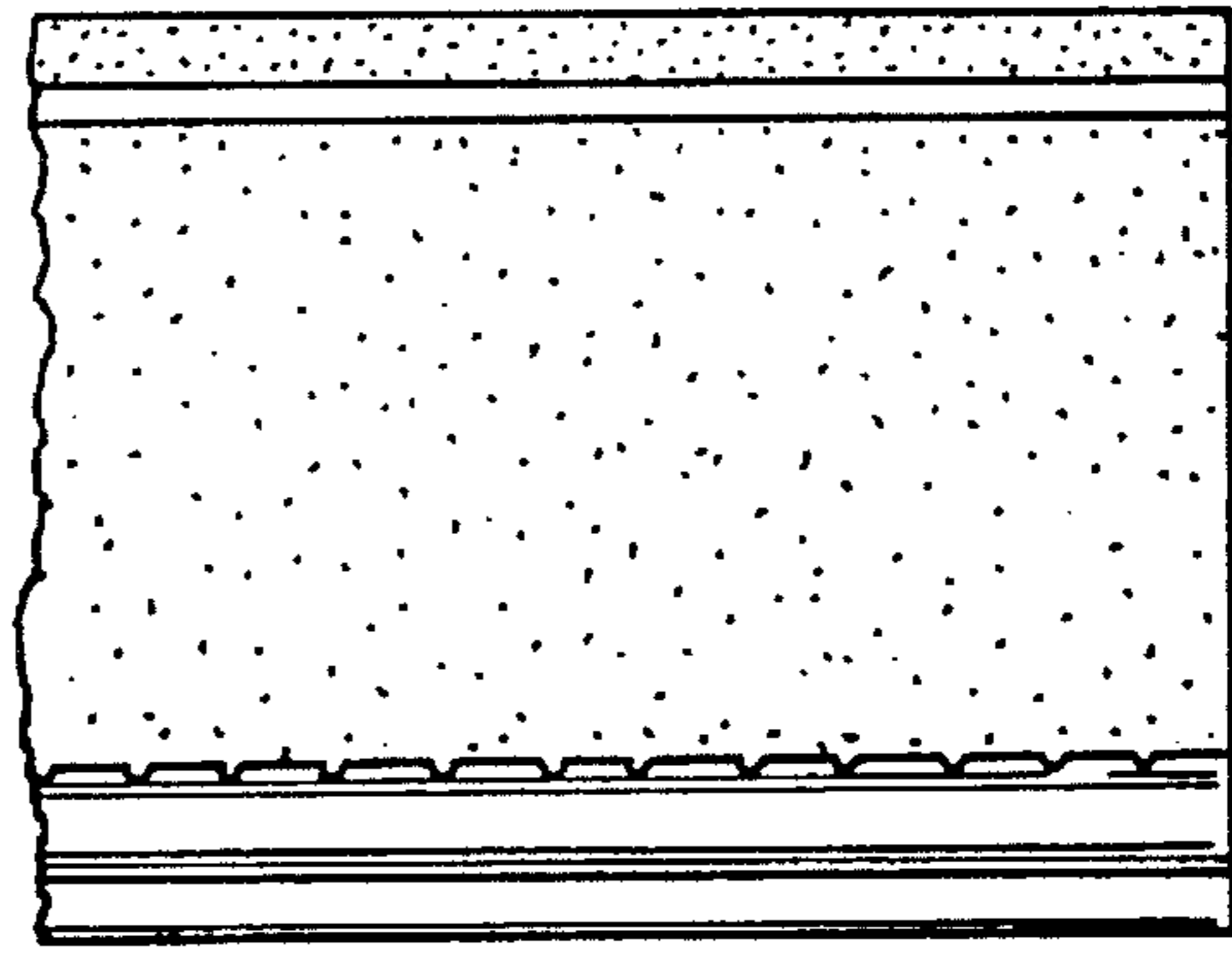
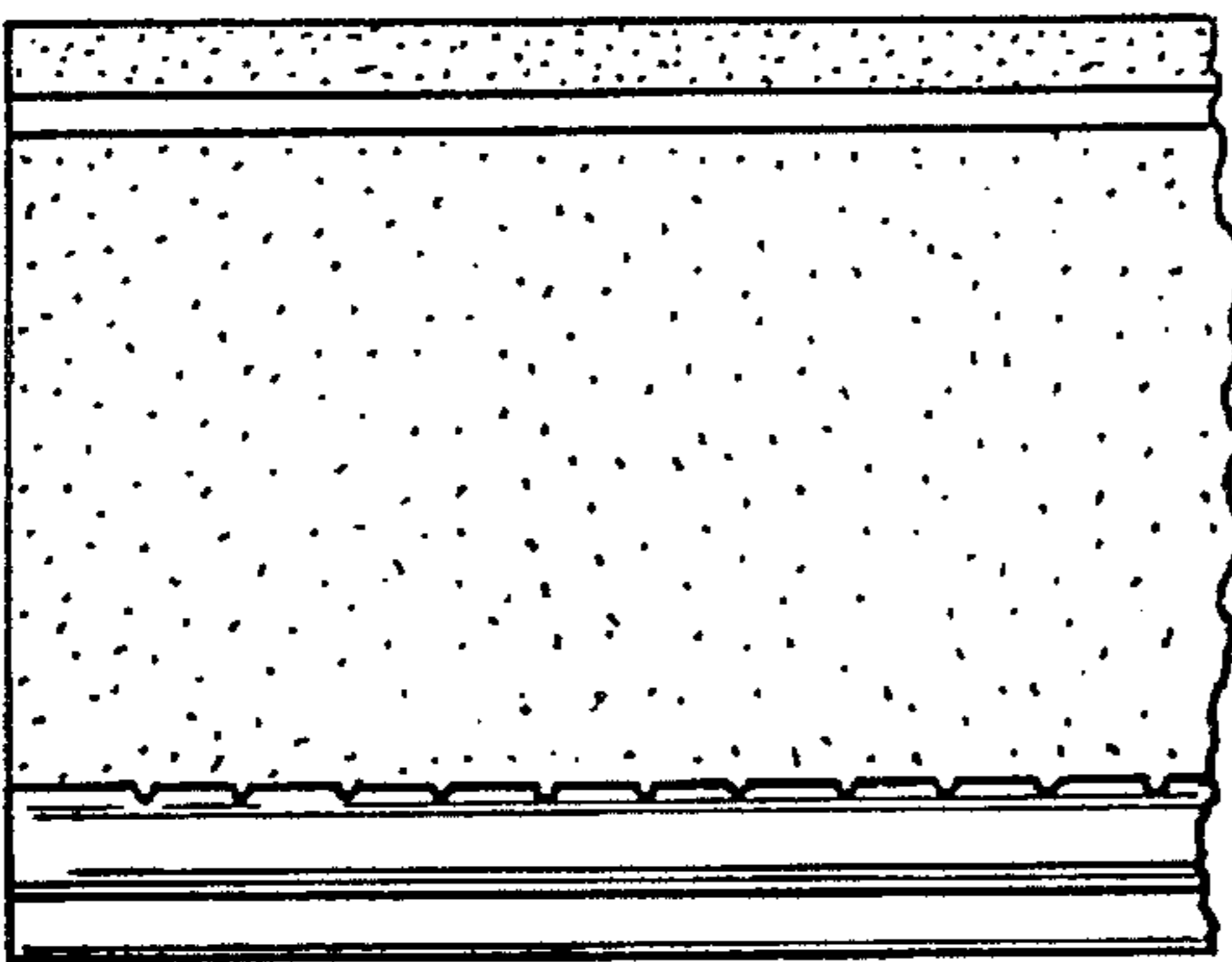


FIG. 7