



US00D377555S

United States Patent [19]

Ueno

[11] Patent Number: **Des. 377,555**

[45] Date of Patent: ****Jan. 21, 1997**

[54] **LEVER OPERATED HOIST**

4,218,046 8/1980 Bathum, Jr. et al. 74/524 X
5,238,226 8/1993 Nishimura 74/523 X

[75] Inventor: **toshio Ueno**, Sayama, Japan

[73] Assignee: **Elephant Chain Block Company Limited**, Osaka, Japan

[**] Term: **14 Years**

Primary Examiner—B. J. Bullock
Assistant Examiner—Linda Brooks
Attorney, Agent, or Firm—Watson Cole Stevens Davis, P.L.L.C.

[21] Appl. No.: **32,656**

[22] Filed: **Dec. 22, 1994**

[57] **CLAIM**

The ornamental design for a lever operated hoist, as shown and described.

[30] **Foreign Application Priority Data**

DESCRIPTION

Jul. 4, 1994 [JP] Japan 6-19932

[52] **U.S. Cl.** **D34/33**

[58] **Field of Search** D34/33, 34, 35,
D34/28; 74/551.9, 551.8, 543, 523, 524;
16/111 R, 114 R; 294/82.2, 43.12

FIG. 1 is a front view of the lever operated hoist of the new design;
FIG. 2 is a rear view thereof;
FIG. 3 is a top view thereof;
FIG. 4 is a bottom view thereof;
FIG. 5 is a right-side elevational view thereof;
FIG. 6 is a left-side elevational view thereof; and,
FIG. 7 is a front, upper and right-side perspective view thereof.

[56] **References Cited**

U.S. PATENT DOCUMENTS

D. 307,659 5/1990 Kobayashi et al. D34/28
4,097,024 6/1978 Schreyer 74/523 X

1 Claim, 3 Drawing Sheets

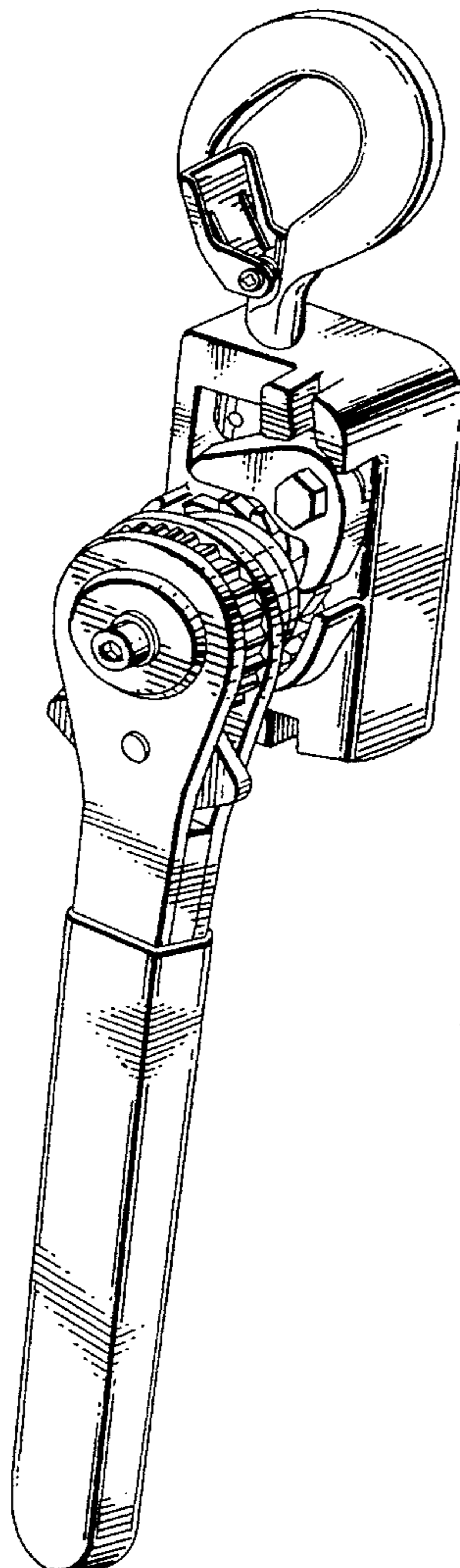


FIG. 1

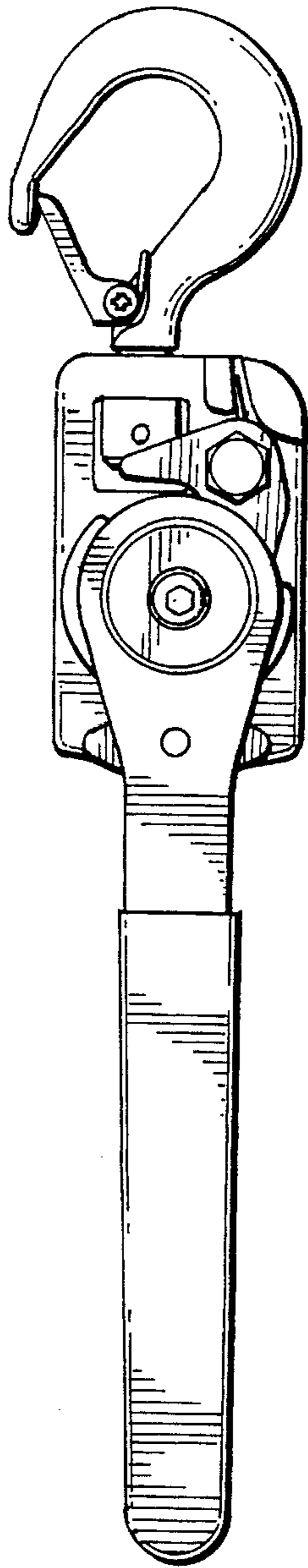


FIG. 2

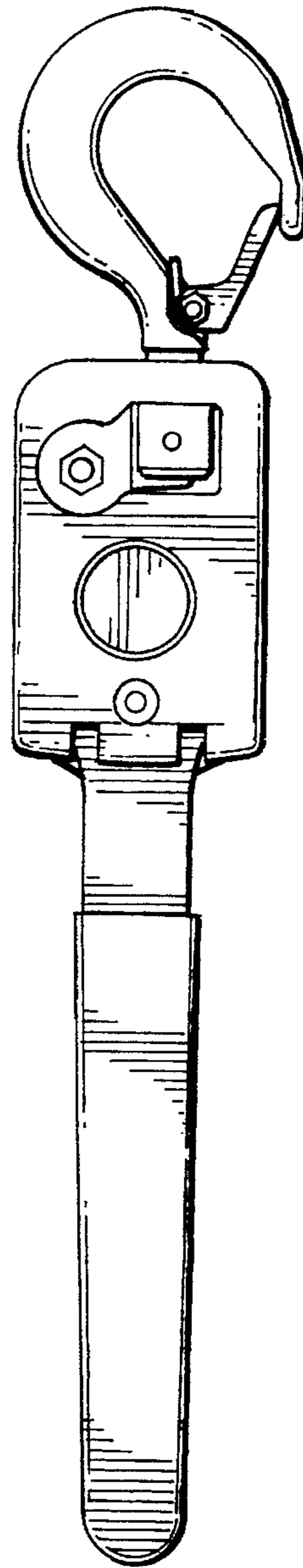


FIG. 3

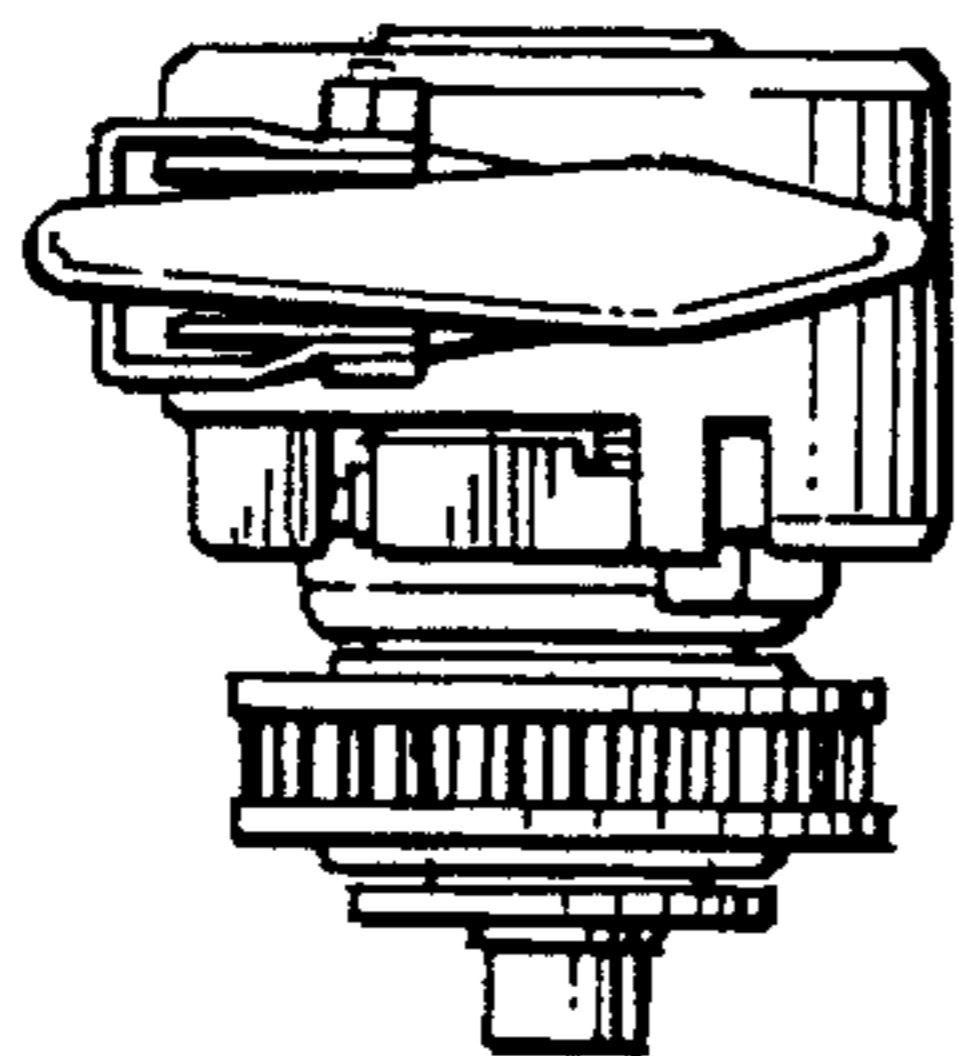


FIG. 4

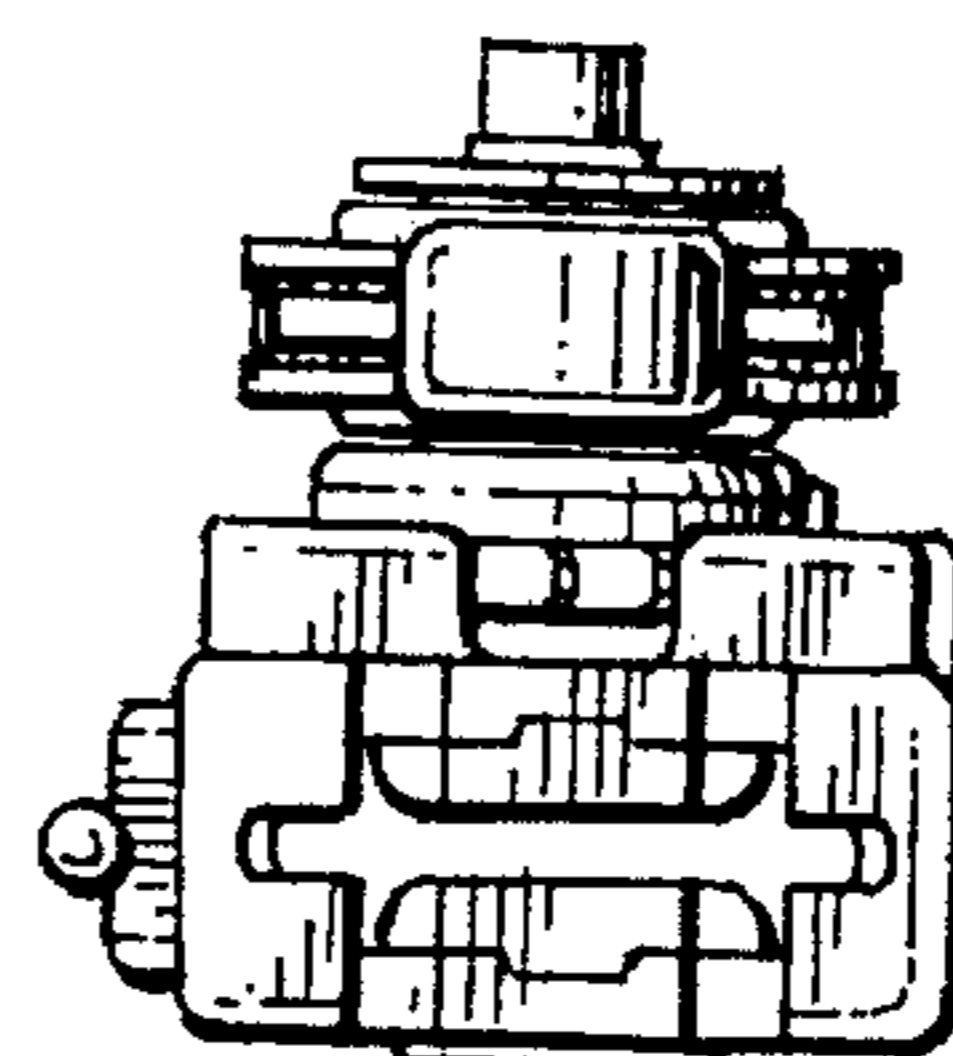


FIG.5

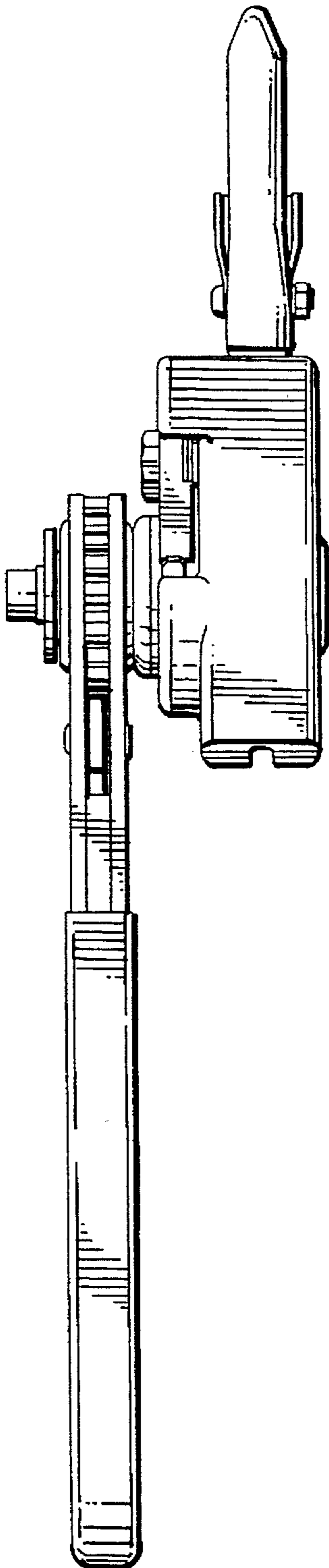


FIG.6

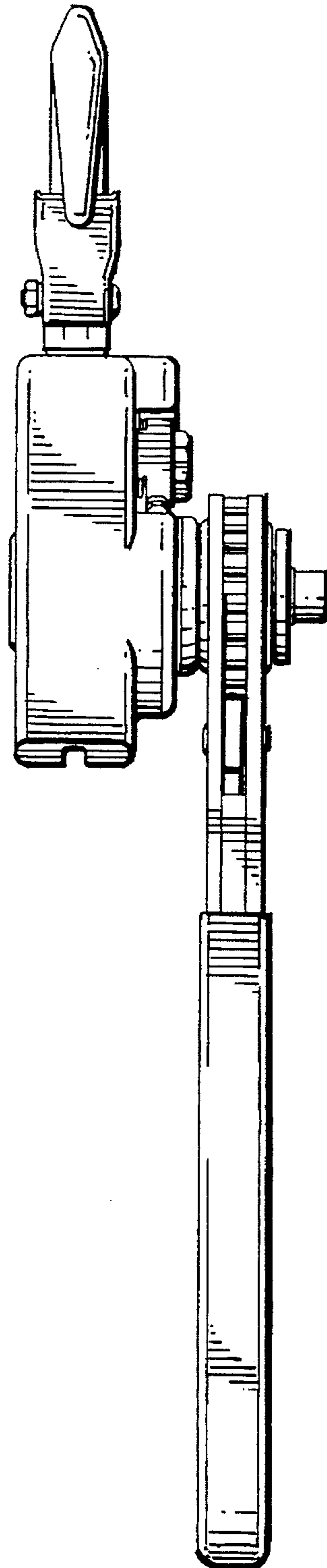


FIG. 7

