



US00D377552S

# United States Patent [19]

Papadea

[11] Patent Number: **Des. 377,552**

[45] Date of Patent: **\*\*Jan. 21, 1997**

[54] **BAG DRYER**

5,469,635 11/1995 Lamontagne et al. .... 34/104

[76] Inventor: **Mary Papadea**, 801 Beltline Blvd.,  
Columbia, S.C. 29205

*Primary Examiner*—A. Hugo Word  
*Assistant Examiner*—Robin V. Taylor  
*Attorney, Agent, or Firm*—Joan Rapp Owen

[\*\*] Term: **14 Years**

[57] **CLAIM**

[21] Appl. No.: **45,874**

The ornamental design for a bag dryer, as shown and described.

[22] Filed: **Nov. 1, 1995**

[52] U.S. Cl. .... **D32/58**

**DESCRIPTION**

[58] **Field of Search** ..... D32/58, 59, 60;  
D6/513, 517; D7/601, 620, 701; 223/113,  
114, 66; 341/103, 104, 437, 440, 239; 211/86,  
94, 104

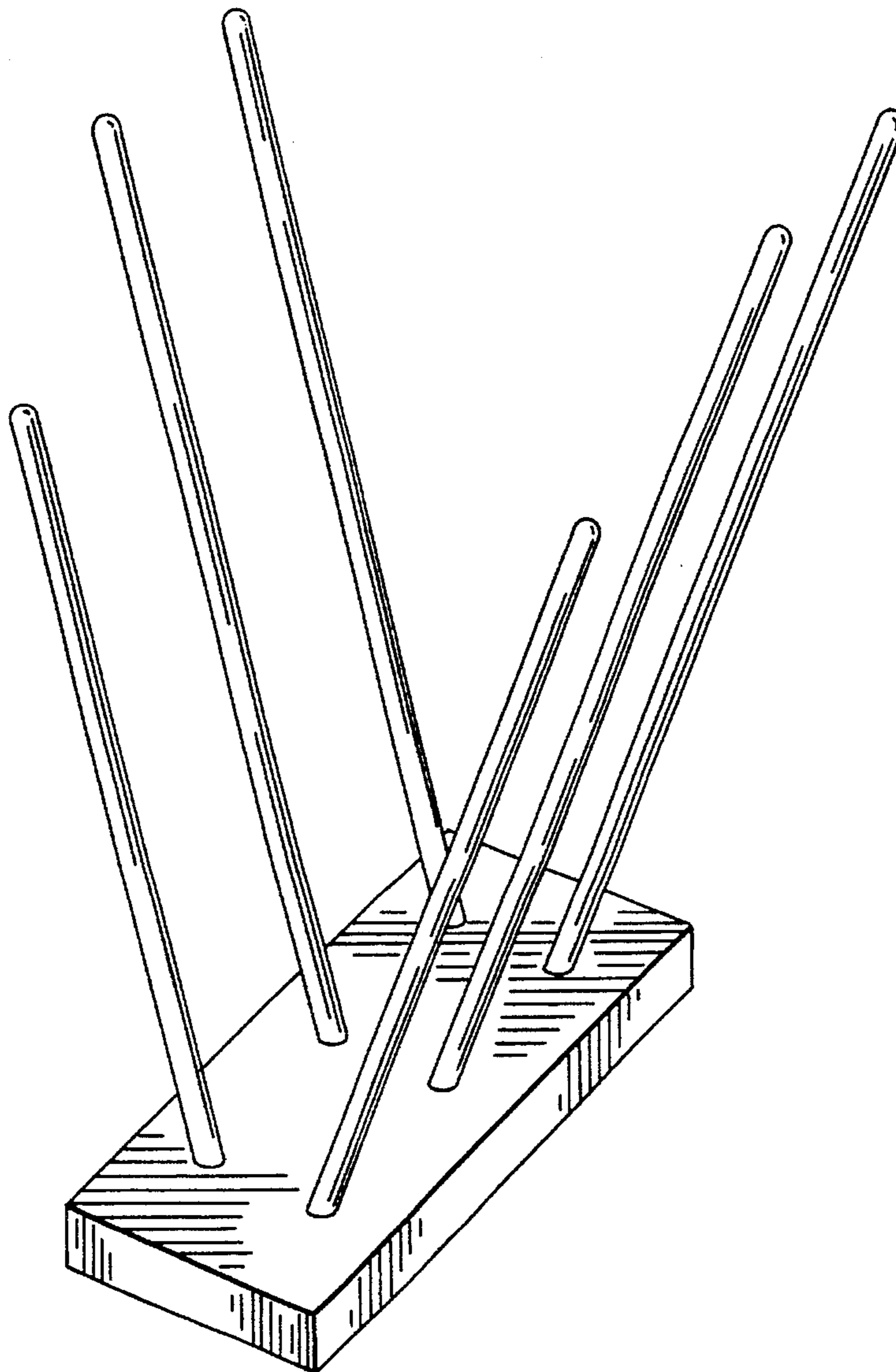
FIG. 1 is a perspective view of a bag dryer showing my new design;  
FIG. 2 is a front elevational view thereof;  
FIG. 3 is a left side elevational view thereof;  
FIG. 4 is a rear elevational view thereof;  
FIG. 5 is a top view thereof; and,  
FIG. 6 is a bottom view thereof.

[56] **References Cited**

**U.S. PATENT DOCUMENTS**

D. 243,313	2/1977	Varnado	.....	D32/58
D. 271,913	12/1983	Nanfito et al.	.....	D32/58
4,265,030	5/1981	Smallegan	.....	34/104

**1 Claim, 6 Drawing Sheets**



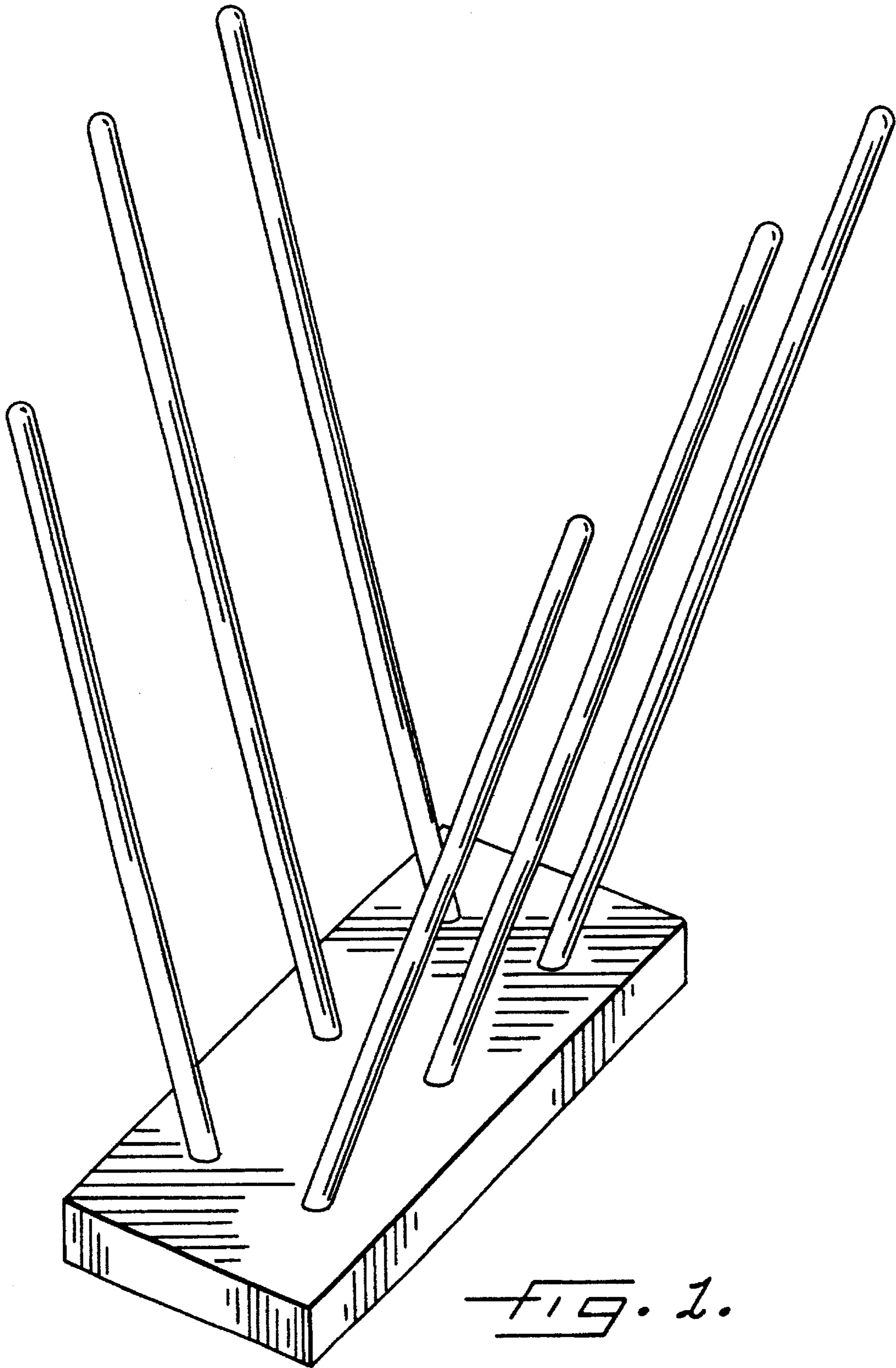


FIG. 1.

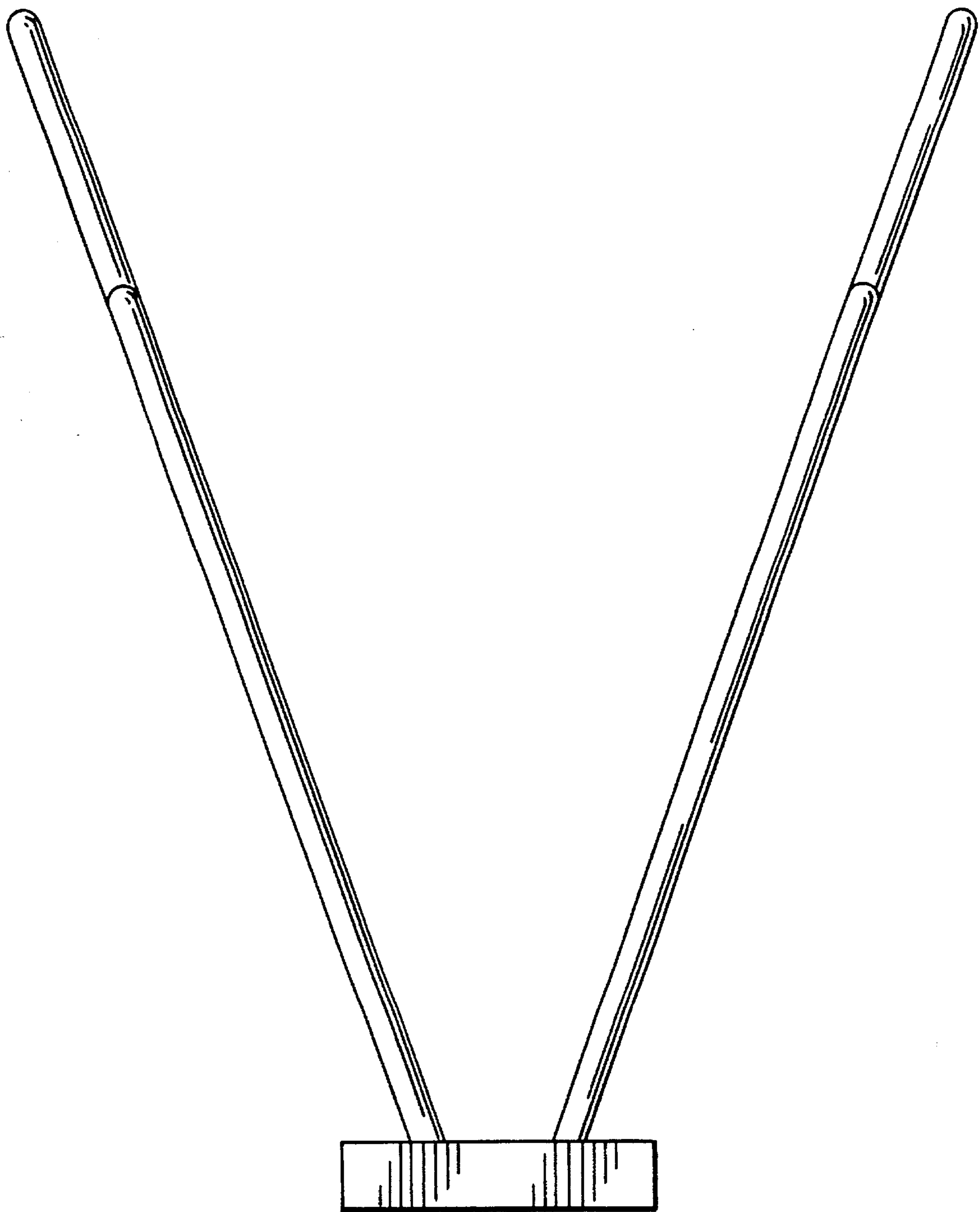


FIG. 2.

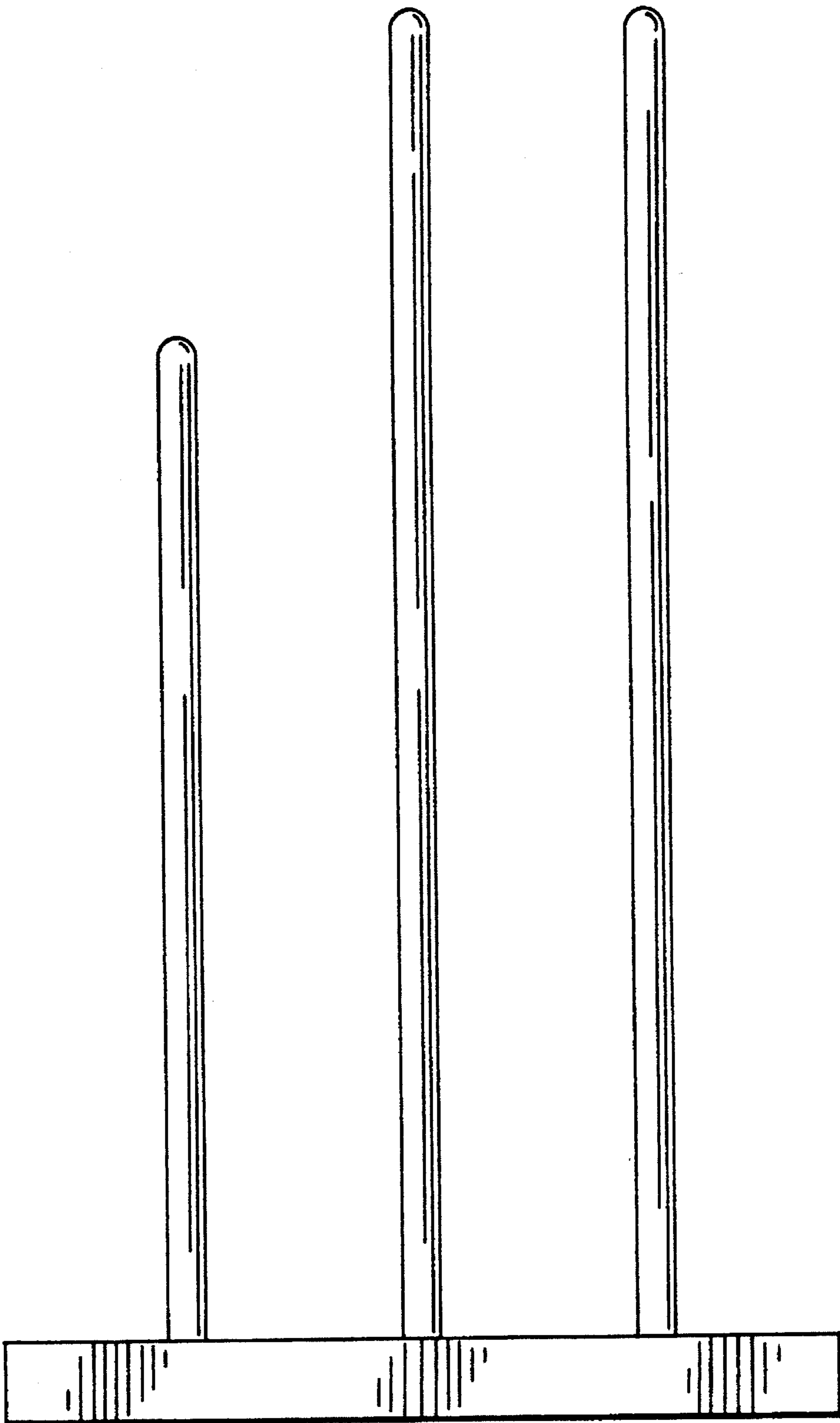


FIG. 3.

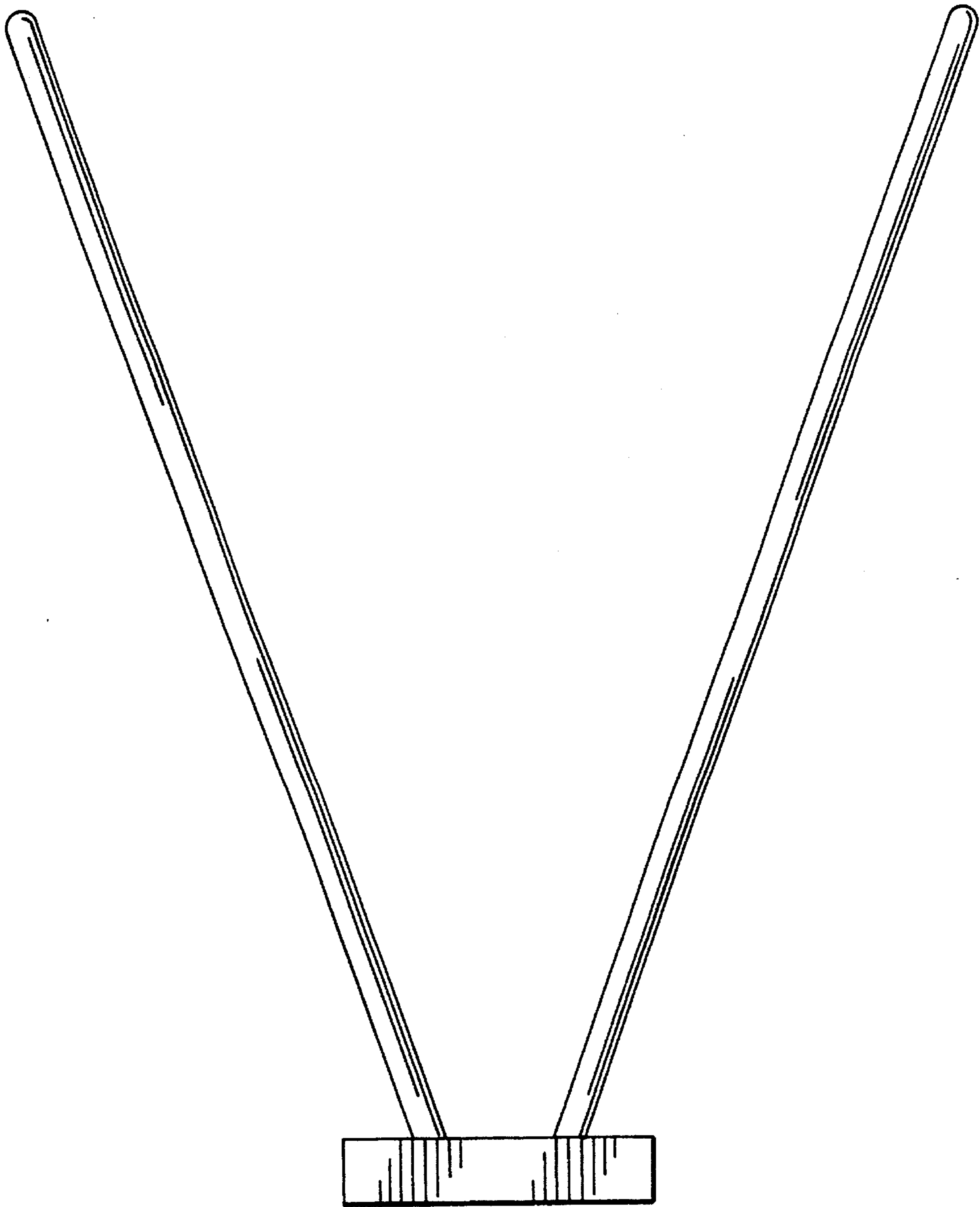


FIG. 4.

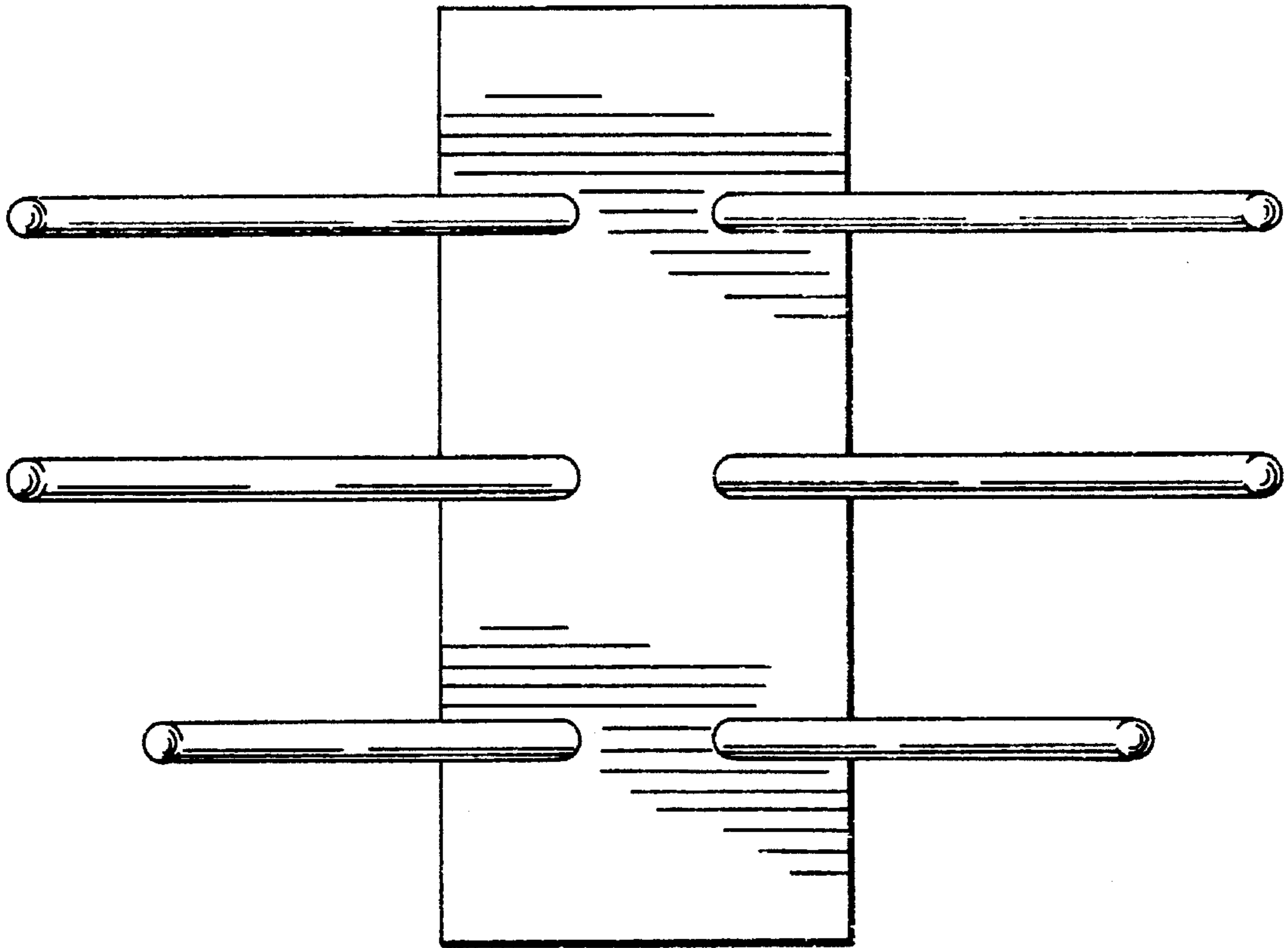


FIG. 5.

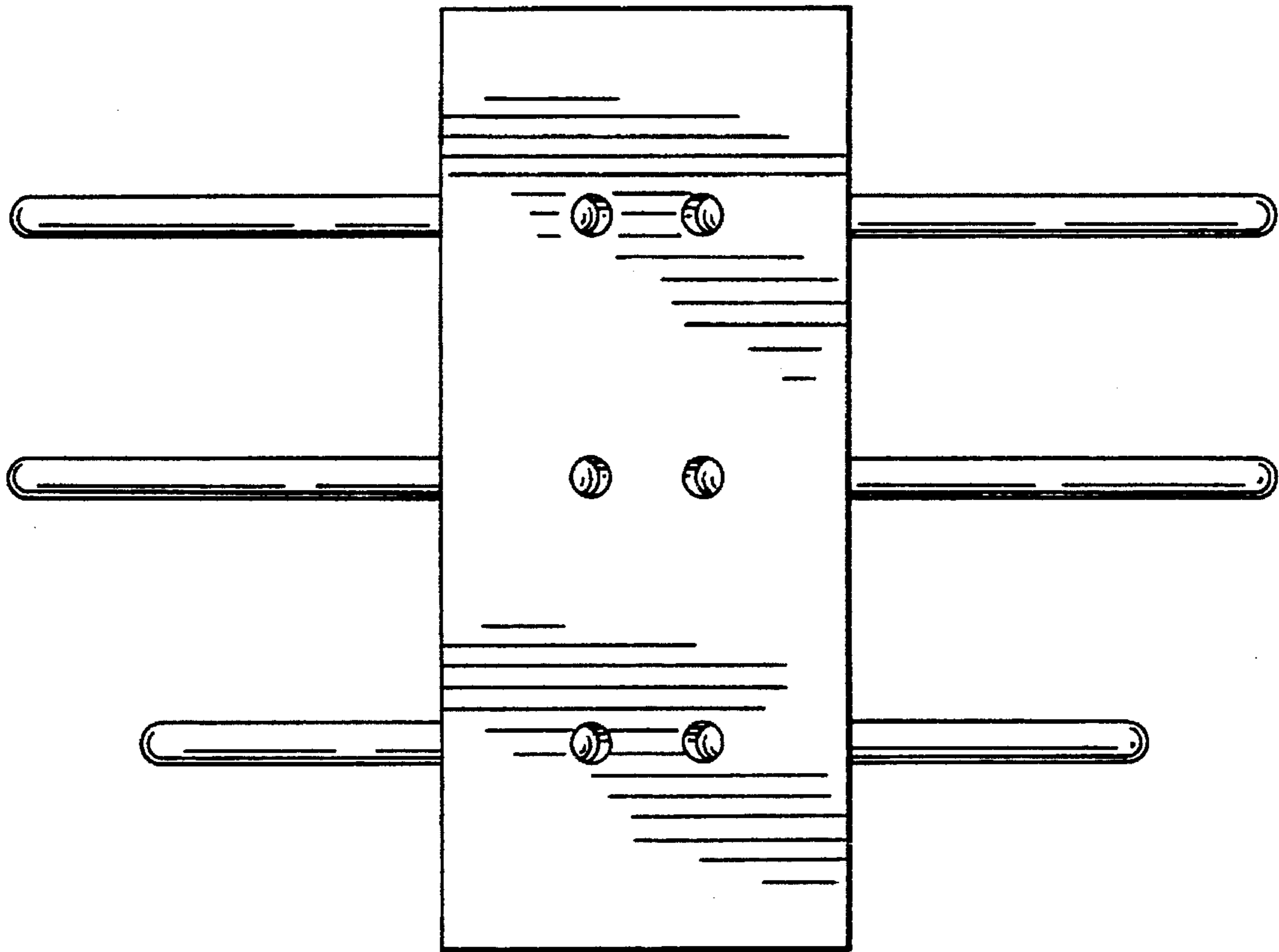


FIG. 6.