



US00D377550S

United States Patent [19]

Shepherd

[11] Patent Number: **Des. 377,550**

[45] Date of Patent: ****Jan. 21, 1997**

[54] SQUEEGEE

[76] Inventor: **Charles G. Shepherd**, 1008 Westdale Road, Oakville, Ontario, Canada, L6L 5A2

[**] Term: **14 Years**

[21] Appl. No.: **47,576**

[22] Filed: **Dec. 7, 1995**

[30] Foreign Application Priority Data

Nov. 21, 1995 [CA] Canada 1995-2621

[52] U.S. Cl. **D32/42**

[58] Field of Search D32/35, 40, 41, D32/42, 44, 46, 51, 52; 15/121, 232, 245, 245.1, 244.1, 244.4

[56] References Cited

U.S. PATENT DOCUMENTS

D. 177,031 3/1956 Gilchrist et al. D32/41
D. 291,378 8/1987 Viner D32/42 X

D. 313,295 12/1990 Maertens D32/42
D. 345,639 3/1994 Pollak et al. D32/42
D. 364,715 11/1995 Amram et al. D32/35
3,724,017 4/1973 Mallory 15/232 X
4,240,176 12/1980 Farmer 15/121

Primary Examiner—Susan J. Lucas
Assistant Examiner—Cynthia E. Ramirez
Attorney, Agent, or Firm—Mark B. Eisen

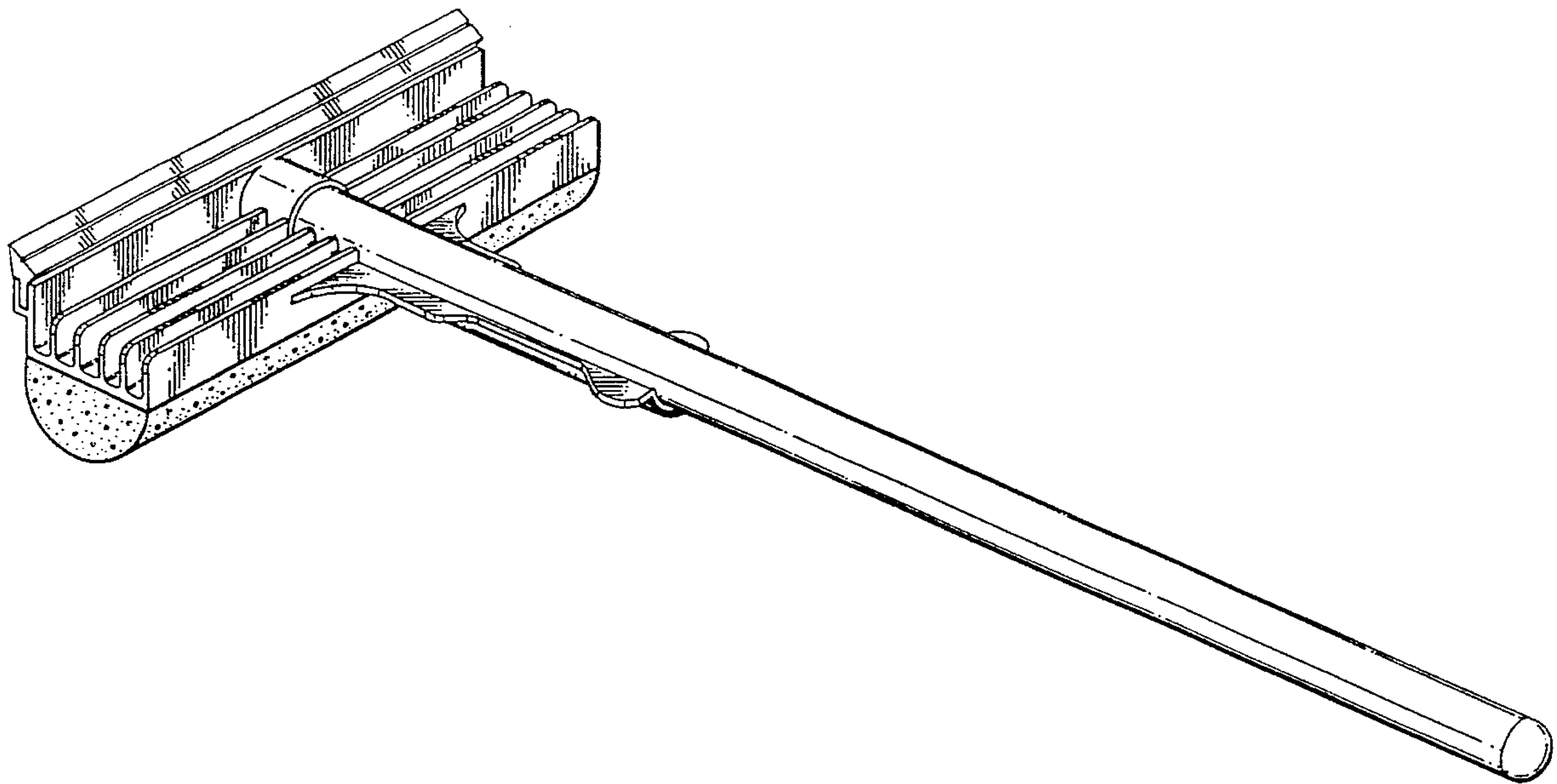
[57] CLAIM

The ornamental design for a squeegee, as shown and described.

DESCRIPTION

FIG. 1 is a perspective view of the squeegee;
FIG. 2 is a top plan view;
FIG. 3 is a bottom plan view;
FIG. 4 is a side elevation, the other side being a mirror image;
FIG. 5 is a front end elevation; and,
FIG. 6 is a rear end elevation.

1 Claim, 3 Drawing Sheets



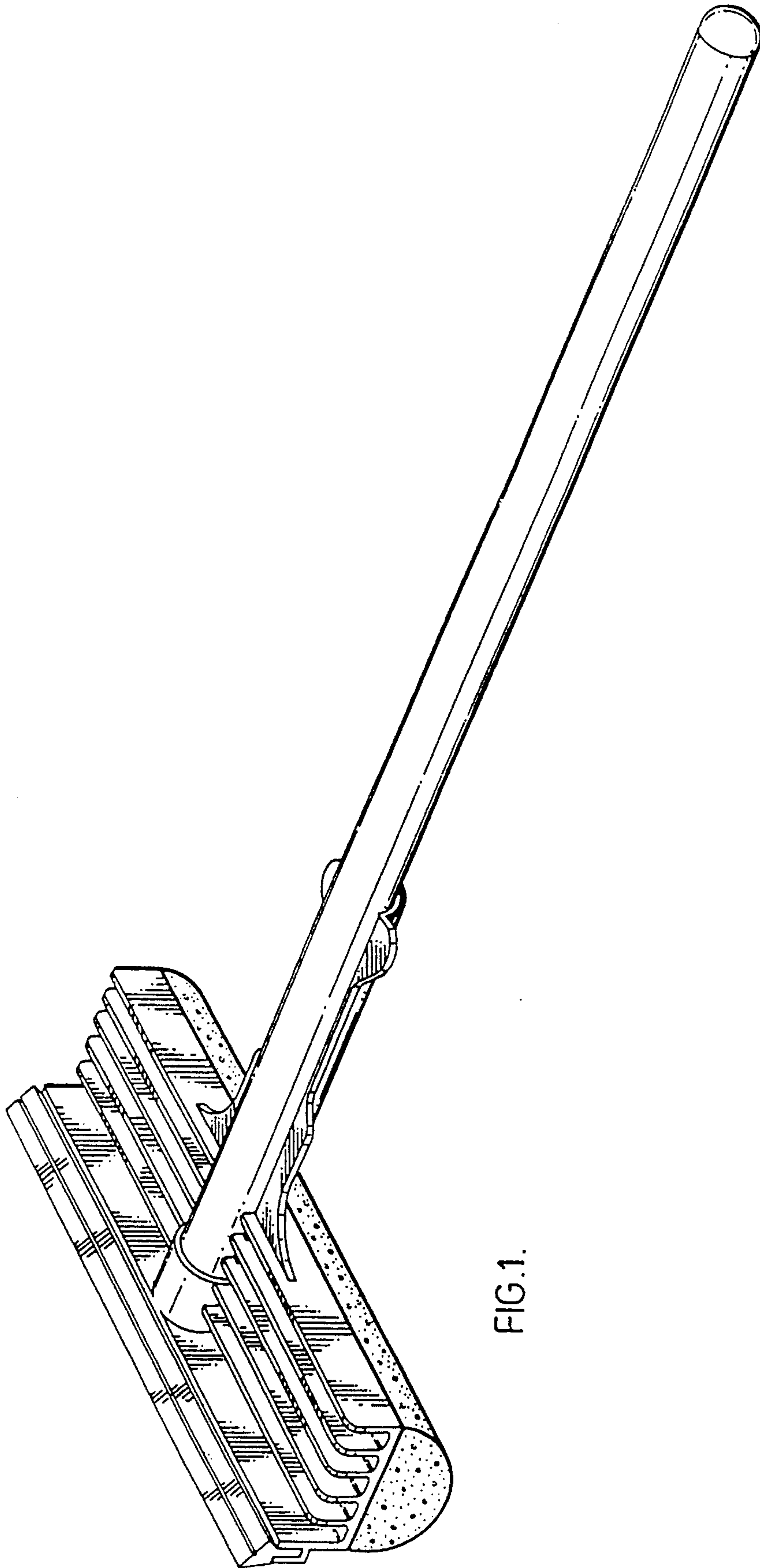
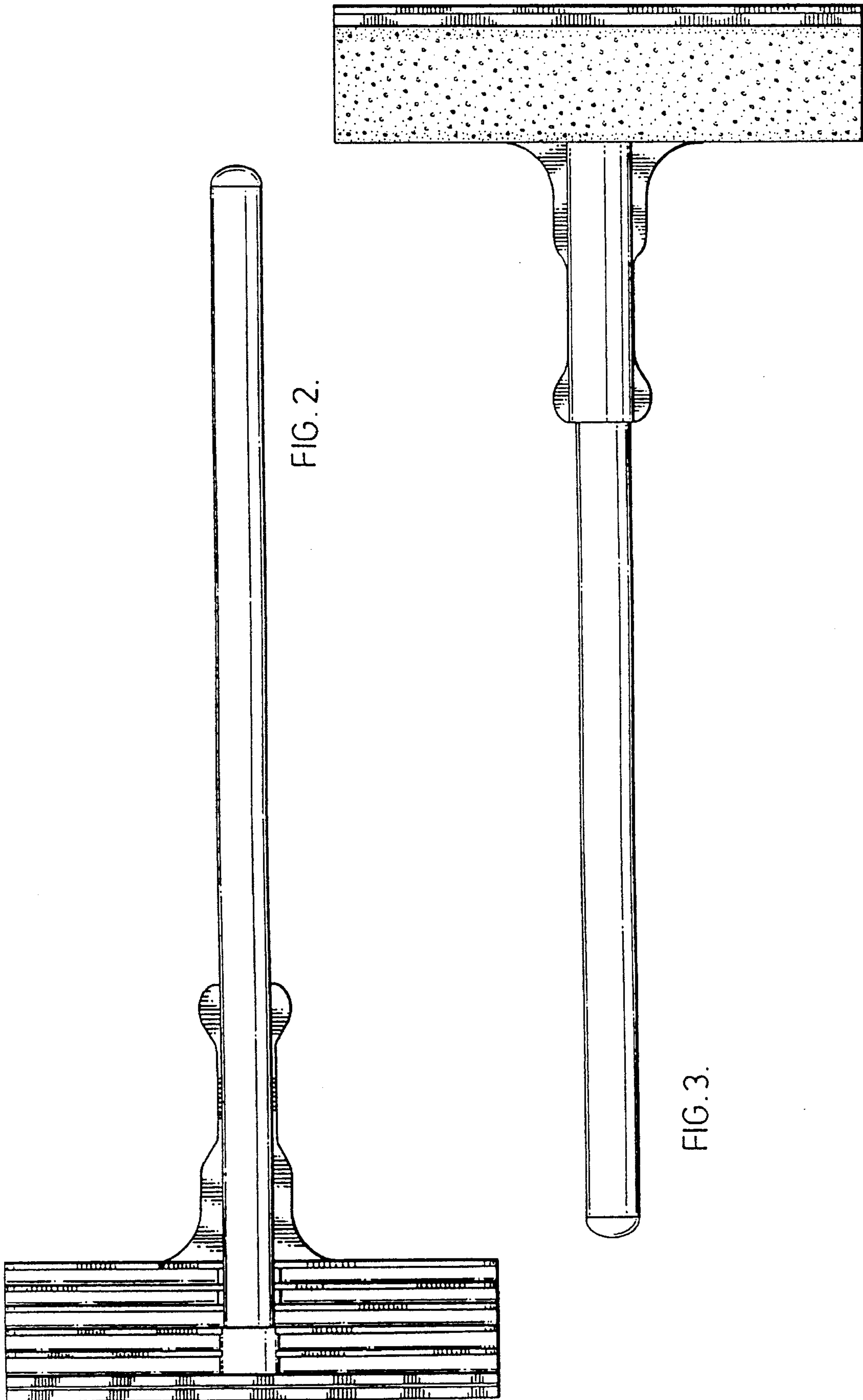


FIG. 1.



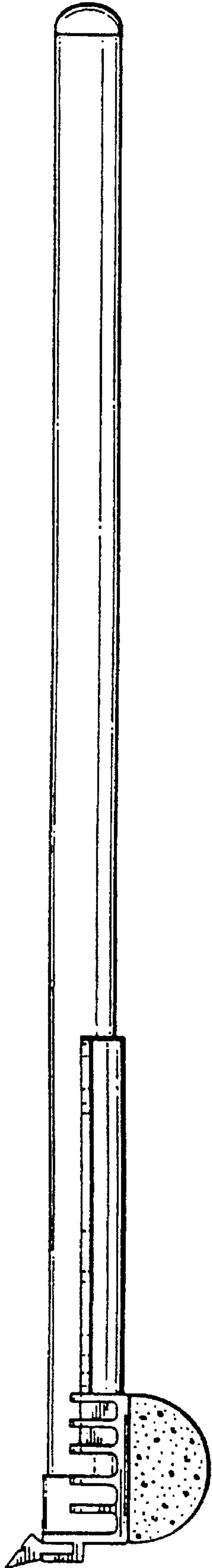


FIG. 4.

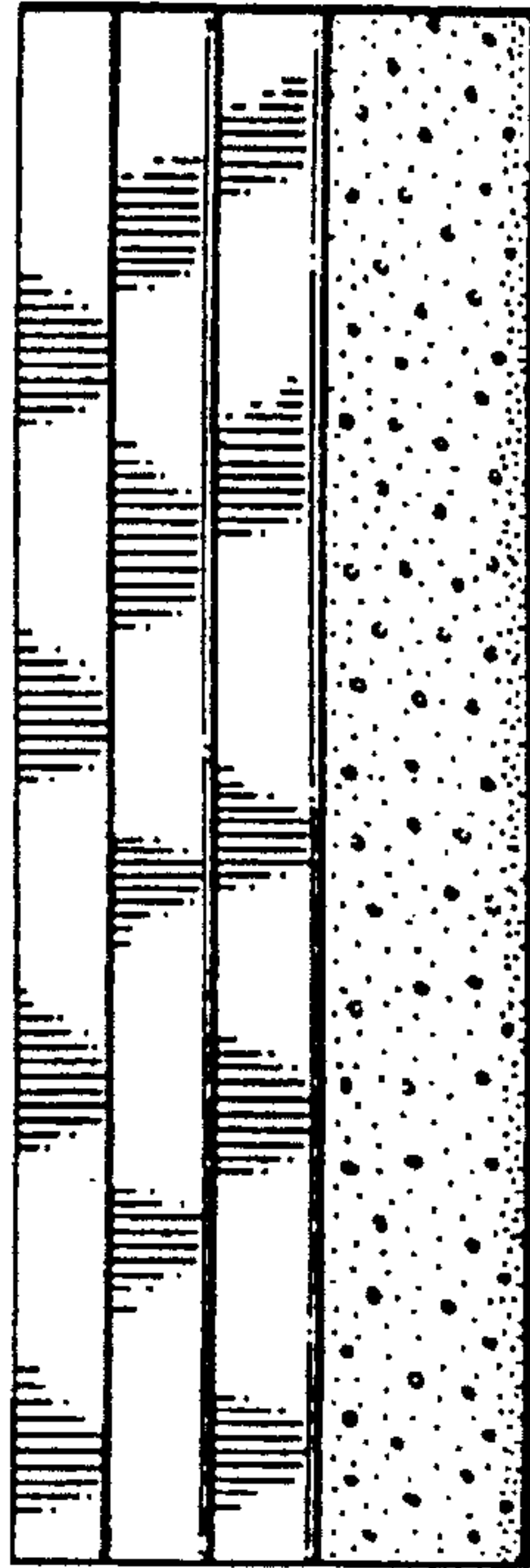


FIG. 5.

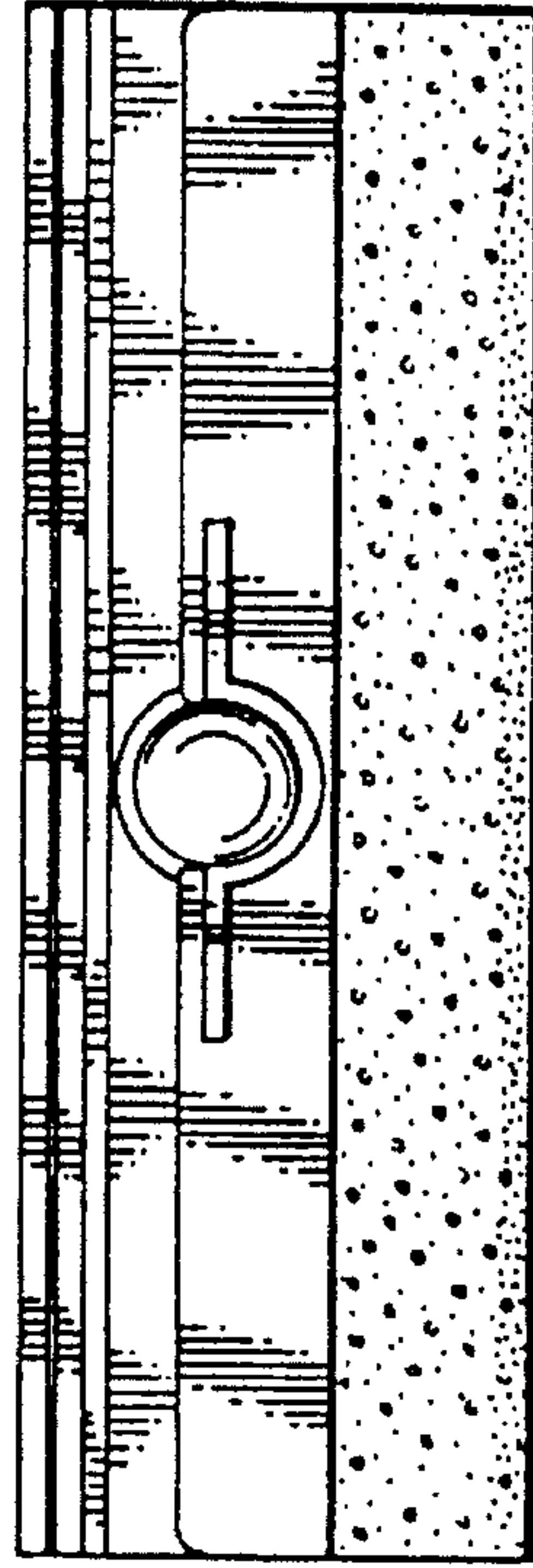


FIG. 6.