



US00D377548S

United States Patent [19]
O'Shea

[11] **Patent Number: Des. 377,548**

[45] **Date of Patent: **Jan. 21, 1997**

[54] **PORTABLE TACK AND GROOMING STATION**

[76] Inventor: **Darren J. O'Shea**, 2703 Woodbridge Ave., Edison, N.J. 08817

[**] Term: **14 Years**

[21] Appl. No.: **48,607**

[22] Filed: **Jan. 5, 1996**

[52] **U.S. Cl.** **D30/143**

[58] **Field of Search** D30/143; D12/119;
D3/200, 272, 254, 260, 905; 54/1, 44.1,
84; 482/25; 248/219.4; 211/13, 86; 269/296;
D6/432, 436, 440, 449; 206/349, 315.11;
312/902

[56] **References Cited**

U.S. PATENT DOCUMENTS

D. 73,972	11/1927	Eberhart	D3/272
D. 85, 332	10/1931	Hammer	.	
D. 100,473	7/1936	Hershfield	D3/272
D. 239,153	3/1976	Snyder	D3/272 X
D. 268,311	3/1983	De Persia	D3/272 X
D. 277,989	3/1985	Wakat	.	
D. 284,122	6/1986	Kizen	.	
D. 325,672	4/1992	Baker	D3/254 X
D. 343,031	1/1994	McElhaney	.	
4,432,459	2/1984	Coldren	.	
4,815,593	3/1989	Brown	.	
5,007,569	4/1991	Zarb	D6/440 X
5,117,979	6/1992	Brightbill	.	
5,165,553	11/1992	Benson	211/13
5,437,502	8/1995	Warnick et al.	.	

OTHER PUBLICATIONS

State-Line Newspaper, p. 28 "Weather-Resistant Tack Trunk" Item No. 3Q-3154 and Vinyl-Covered Wood Tack Trunks Item Nos. 3Q-3952 and 3Q-3953.

Primary Examiner—B. J. Bullock
Assistant Examiner—Stacia Sinuik
Attorney, Agent, or Firm—Selitto & Associates

[57] **CLAIM**

The ornamental design for a portable tack and grooming station, as shown and described.

DESCRIPTION

Fig. 1 is a front perspective view of a portable tack and grooming station showing my new design; FIG. 2 is a front elevational view thereof; FIG. 3 is a top plan view thereof; FIG. 4 is a right side elevational view thereof; FIG. 5 is a left side elevational view thereof; FIG. 6 is a rear elevational view thereof; FIG. 7 is a bottom plan view thereof; FIG. 8 is a front elevational view thereof, a saddle and a riding helmet being shown in phantom for illustrative purposes only and therefore forming no part of my claimed design; and, FIG. 9 is an exploded perspective view thereof in an open condition and with an internal storage tray, the opposite end of the internal support for the tray being identical, and an underlying wheeled cart being depicted in combination therewith. The broken lines are for illustrative purposes only and form no part of the claimed design.

1 Claim, 5 Drawing Sheets

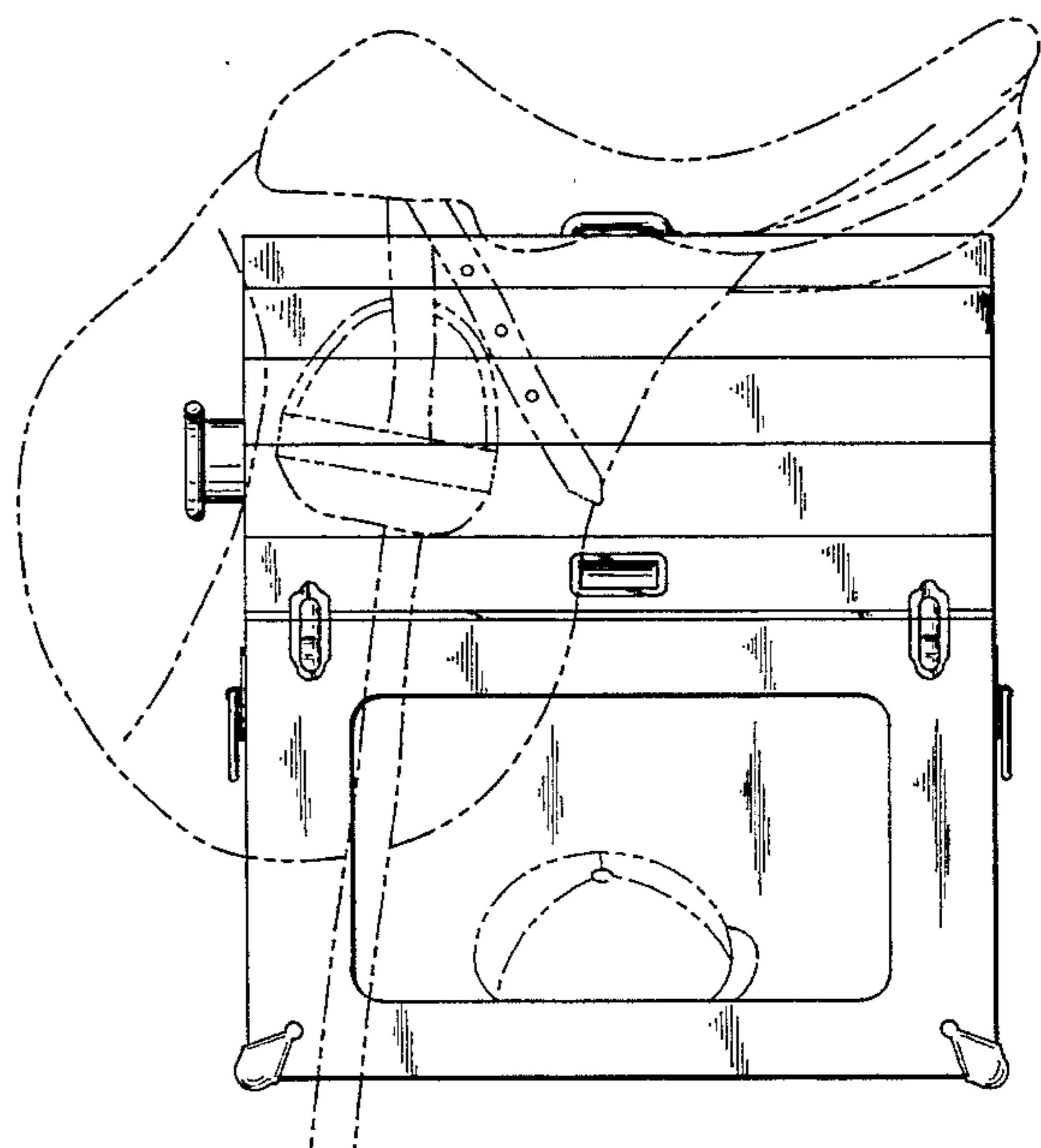
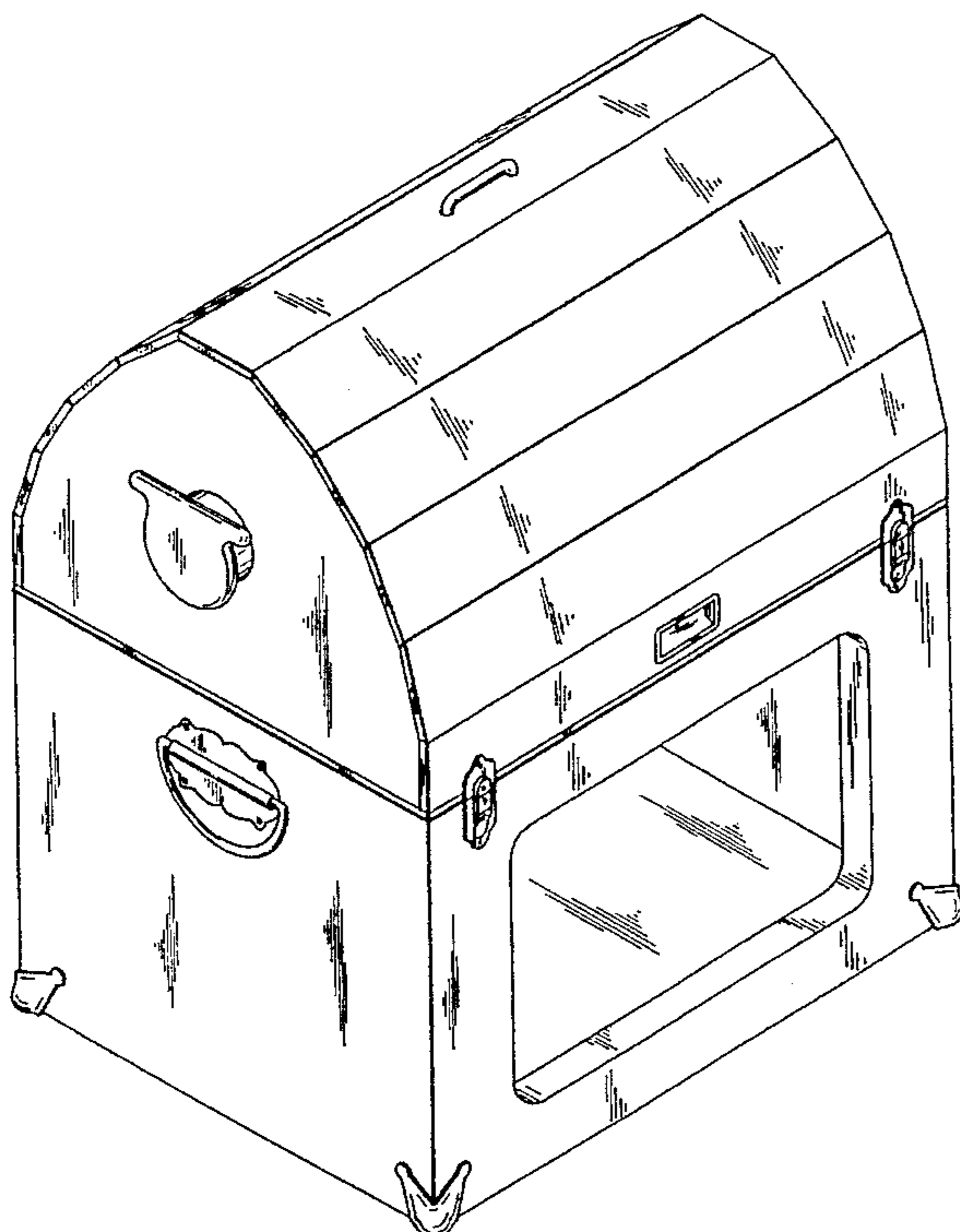


FIG. 1

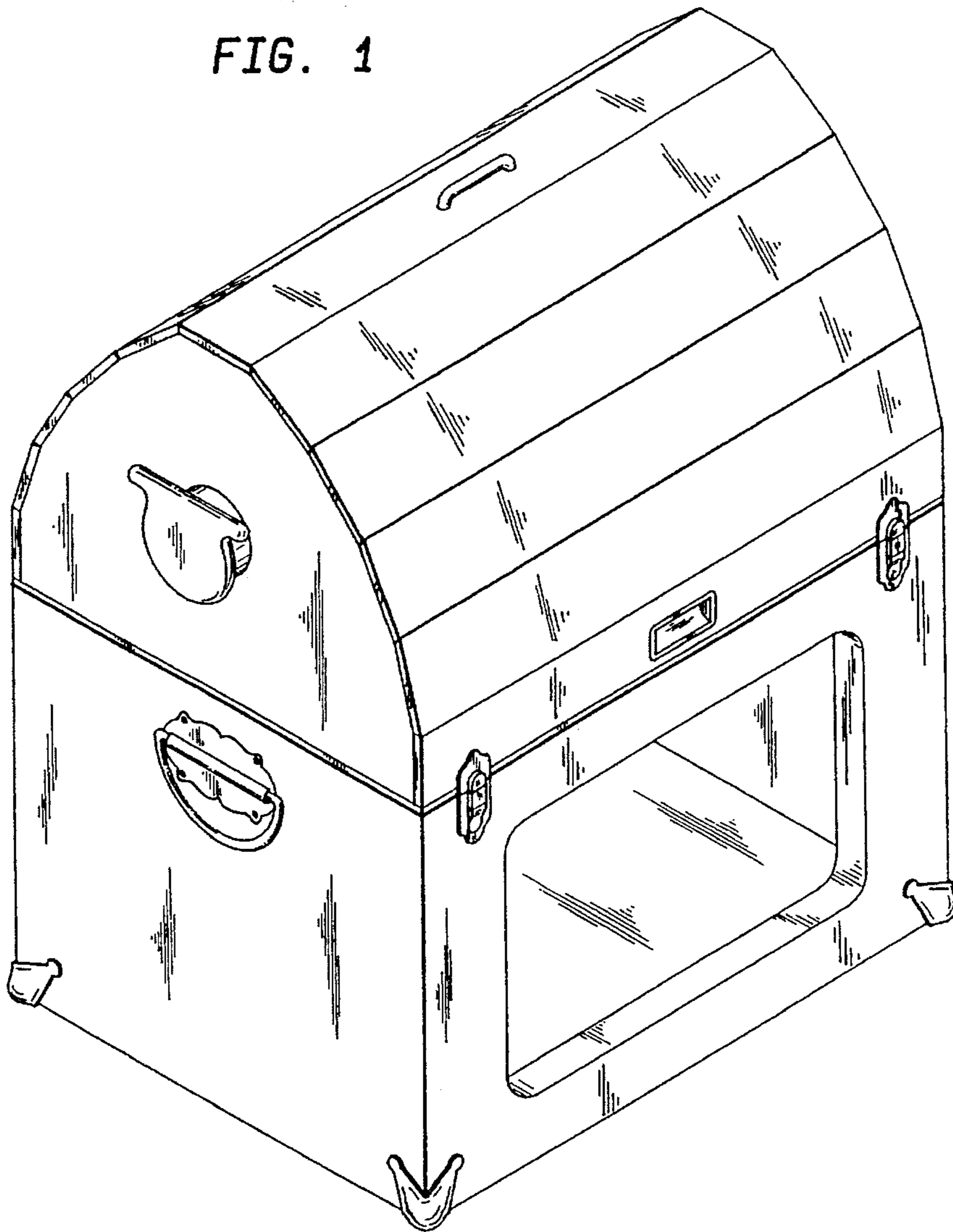


FIG. 3

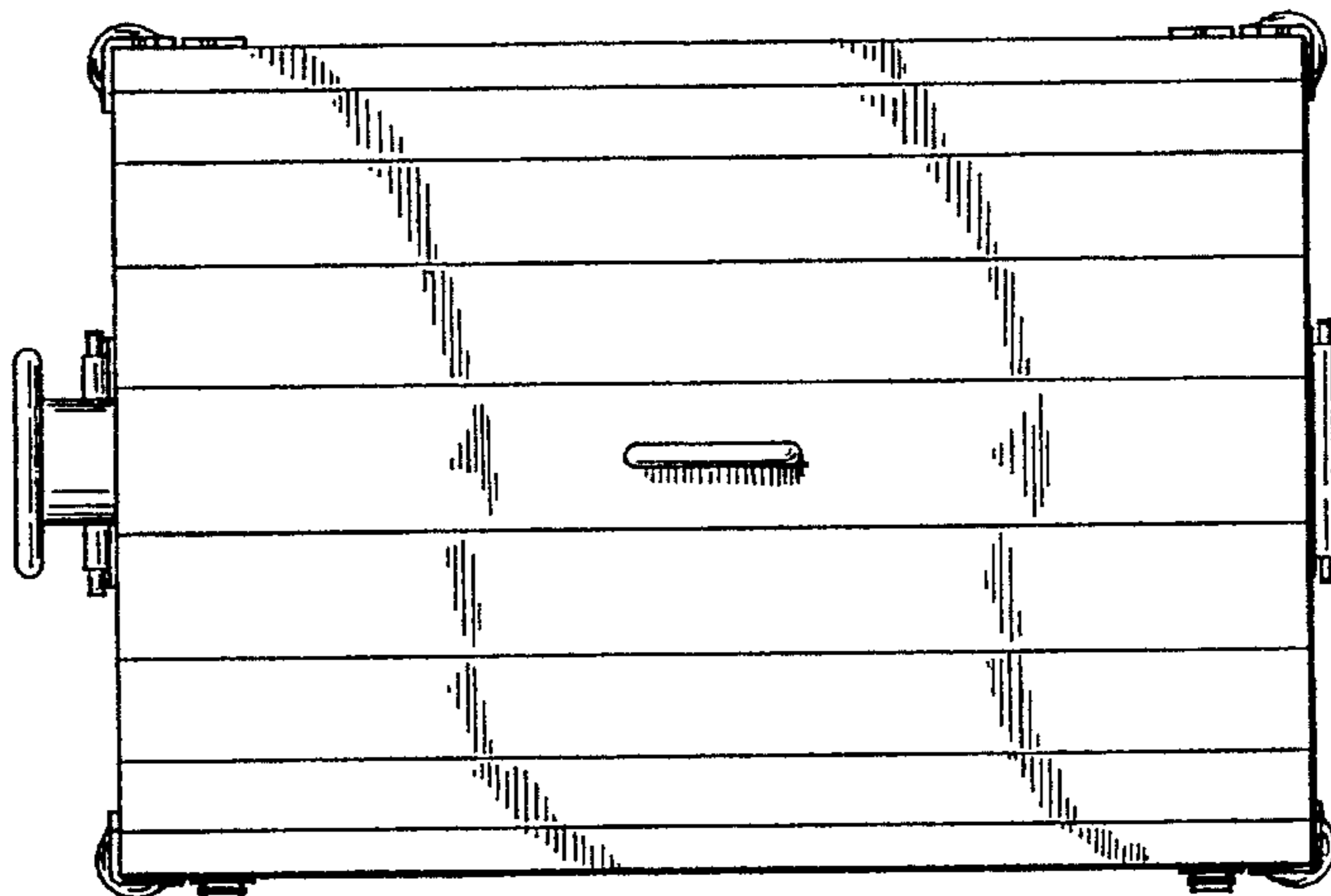


FIG. 2

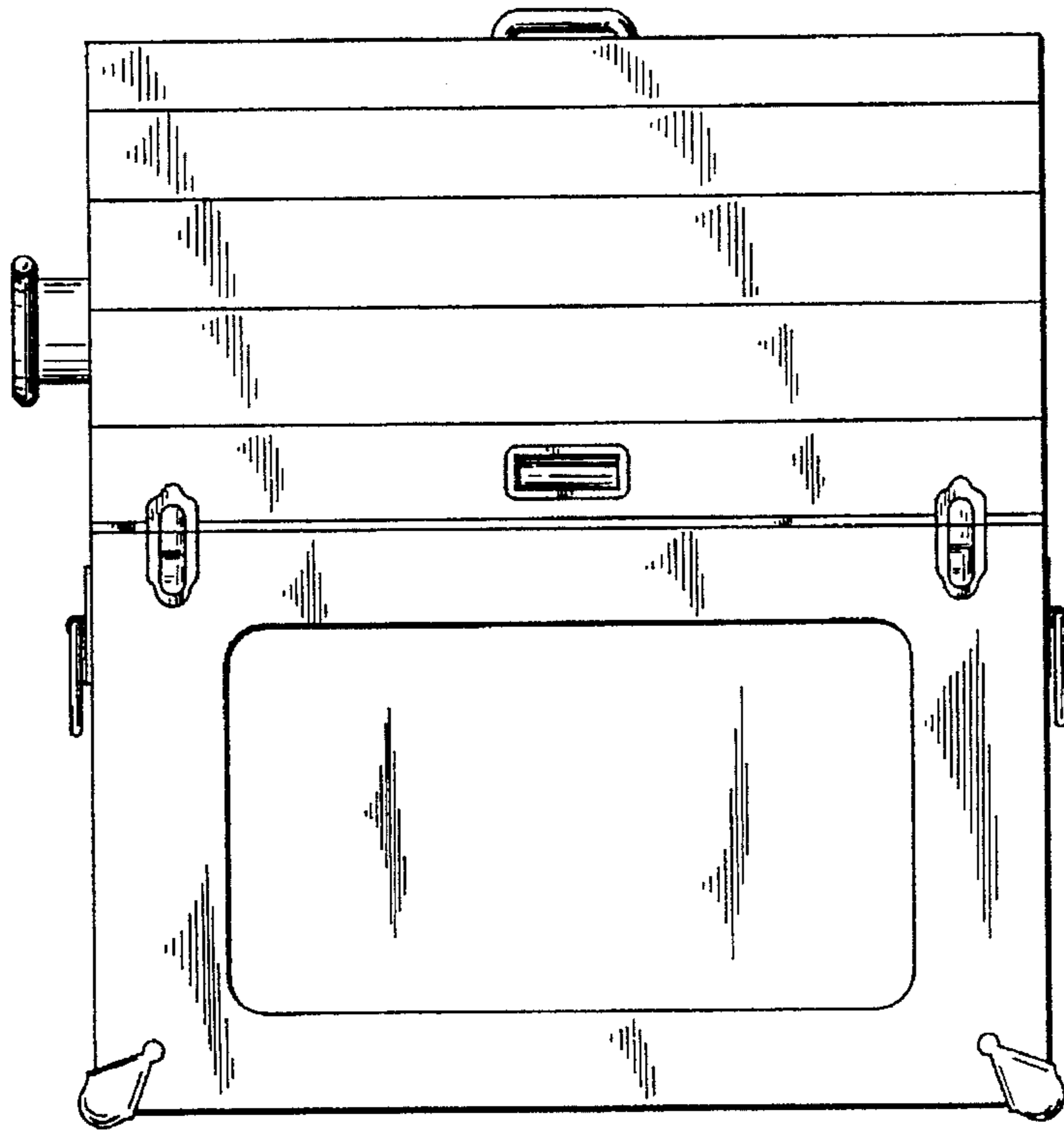


FIG. 4

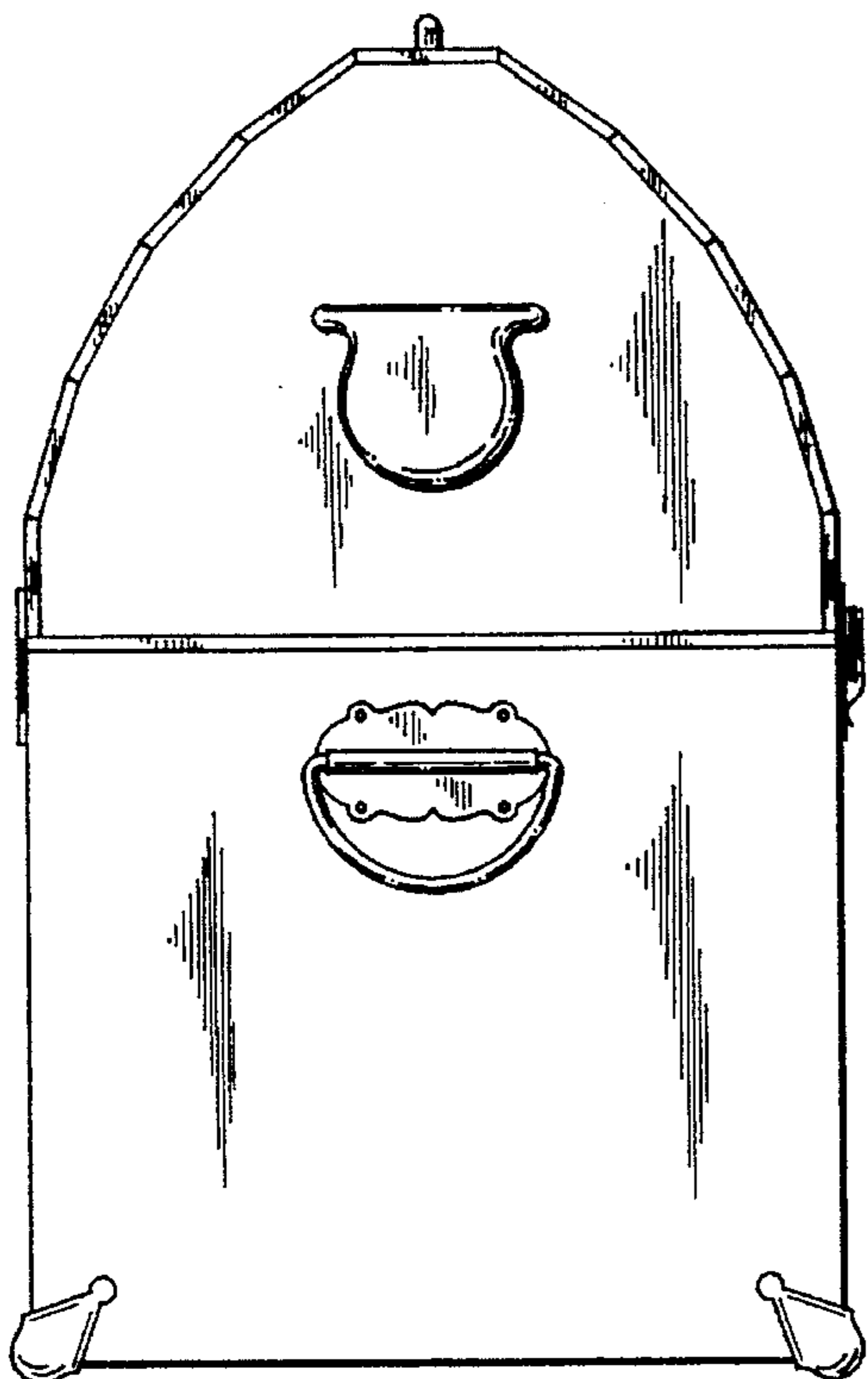


FIG. 5

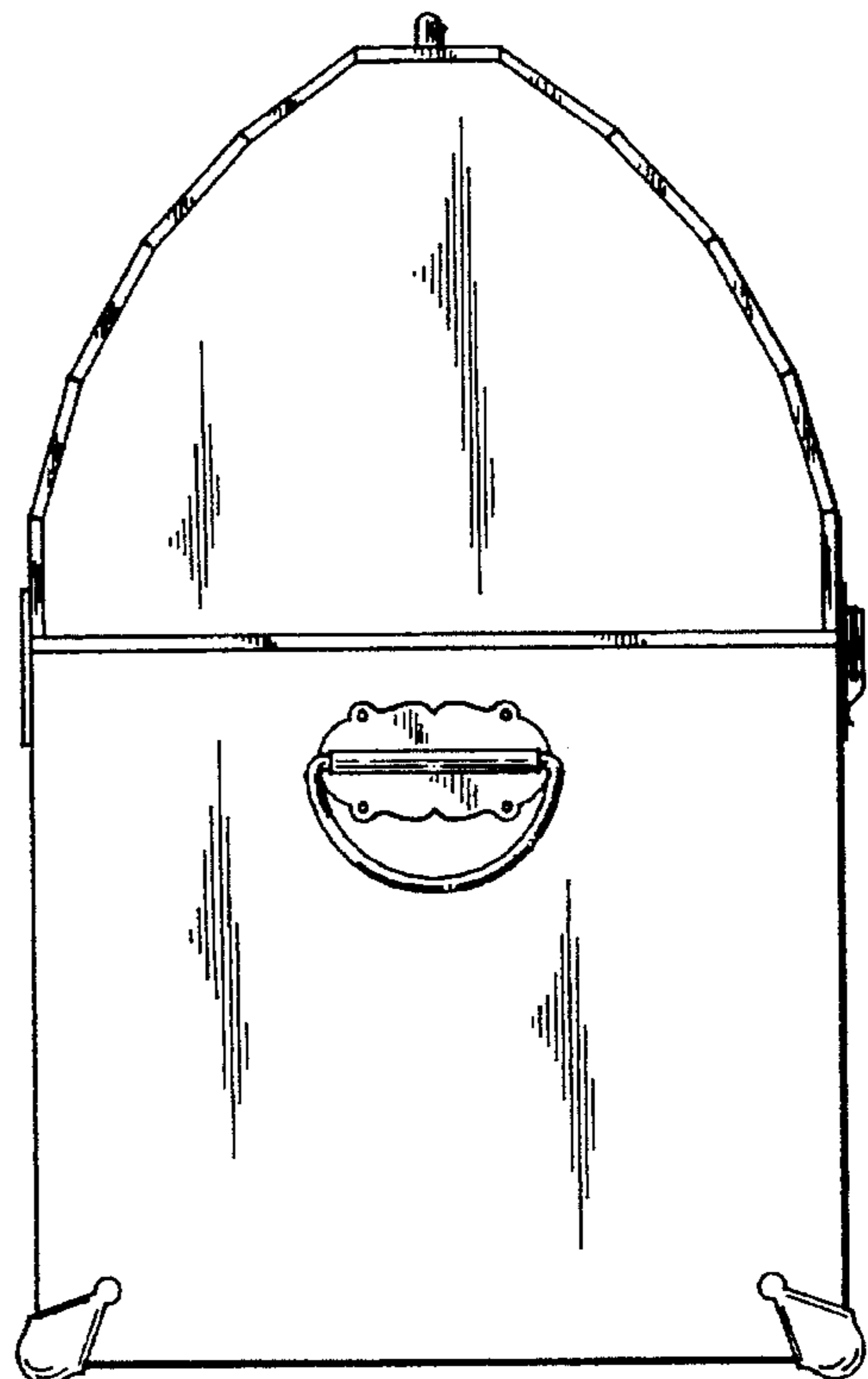


FIG. 6

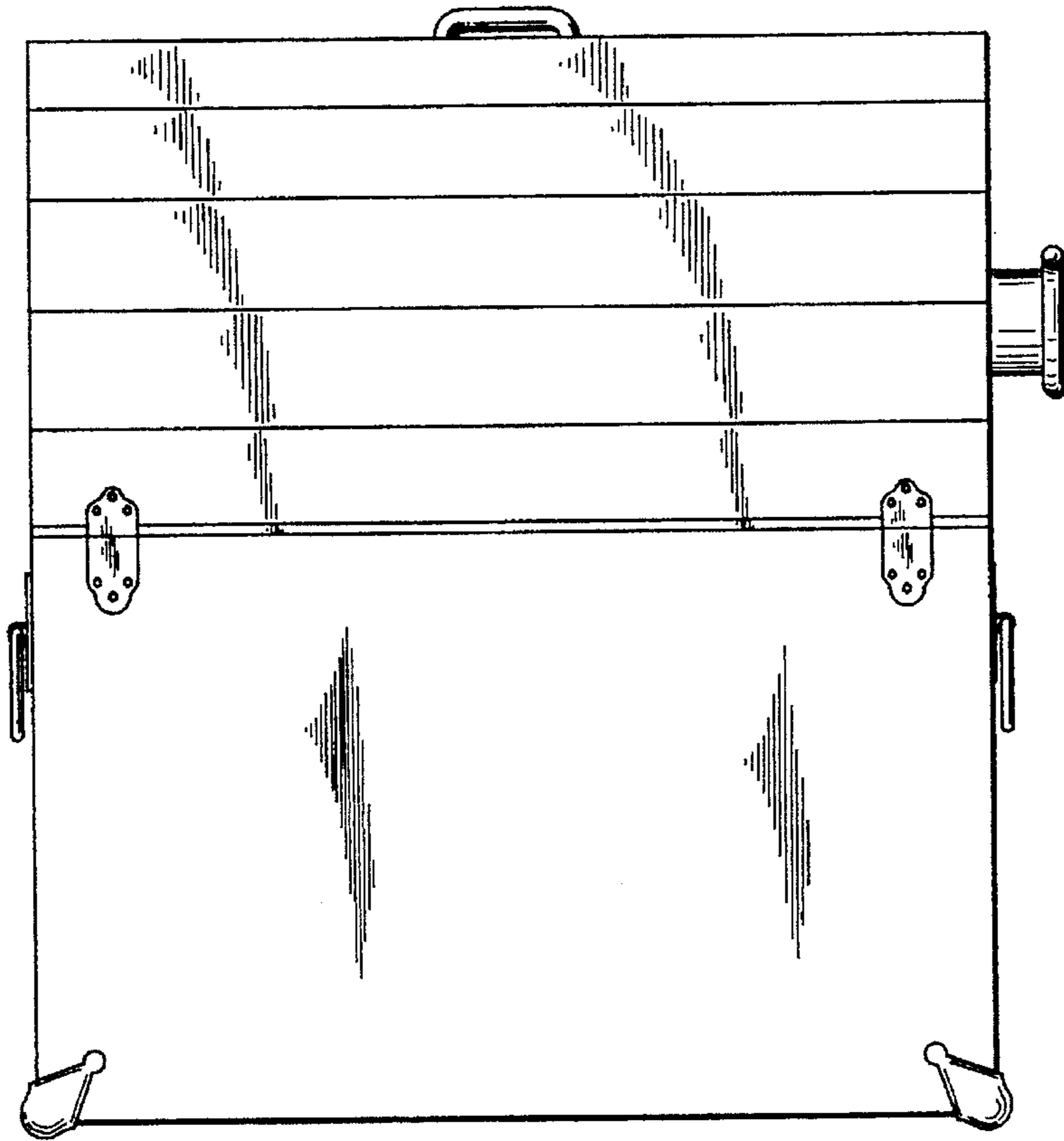


FIG. 7

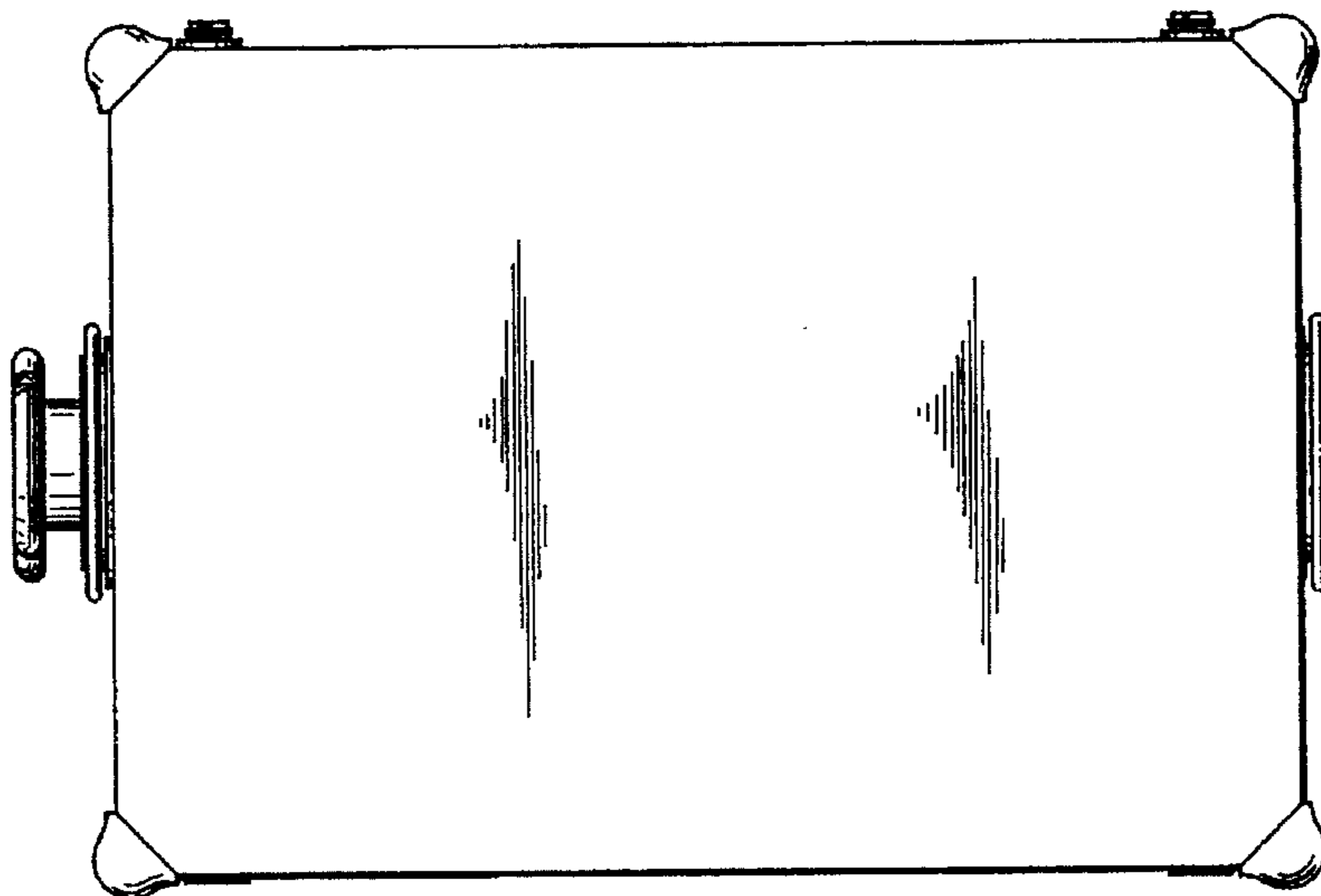


FIG. 8

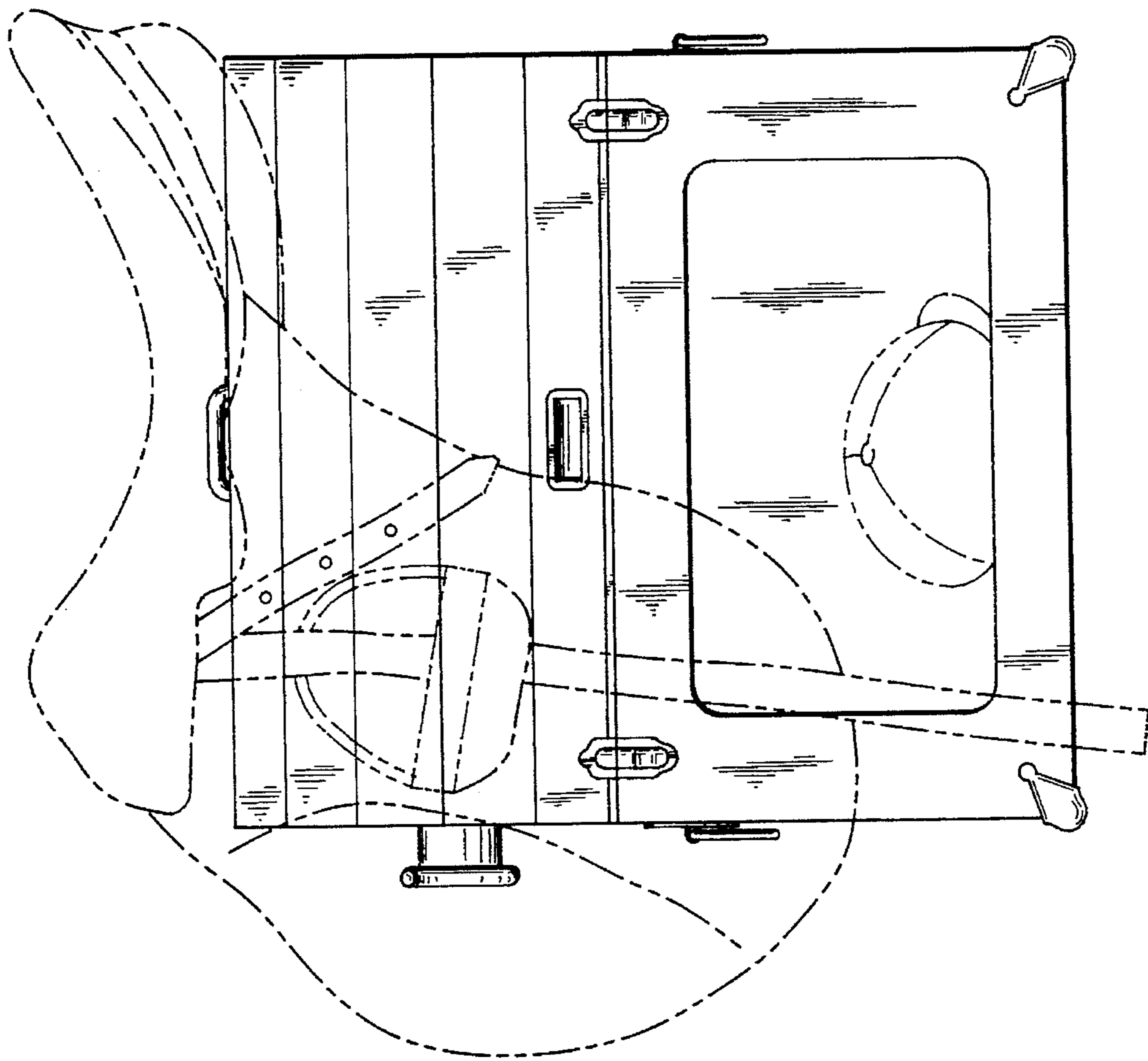


FIG. 9

