



US00D377547S

# United States Patent [19] Bell

[11] Patent Number: **Des. 377,547**  
[45] Date of Patent: **\*\*Jan. 21, 1997**

[54] **PET FOOD DISPENSER**

4,324,202 4/1982 Stonestreet et al. .... 119/61  
4,688,520 8/1987 Parks ..... 119/51.11

[76] Inventor: **Peter F. Bell**, "Winona" Cootamundra,  
New South Wales, 2590, Australia

### FOREIGN PATENT DOCUMENTS

[\*\*] Term: **14 Years**

4301695 7/1993 Germany ..... 119/51.5  
8908388 9/1989 WIPO ..... 119/52.1

[21] Appl. No.: **39,199**

### OTHER PUBLICATIONS

[22] Filed: **May 23, 1995**

Doggie Drink Brochure.

### [30] Foreign Application Priority Data

Nov. 25, 1994 [AU] Australia ..... 3953/94

*Primary Examiner*—Cathy Anne MacCormac  
*Attorney, Agent, or Firm*—Ladas & Parry

[52] U.S. Cl. .... **D30/121; D7/555**

### [57] CLAIM

[58] Field of Search ..... D30/121-122,  
D30/124-125, 129-130, 132-133; D7/553,  
555; 119/61, 54, 51.5, 51.03, 52.1, 51.12,  
52.4, 76

The ornamental design for a pet food dispenser, as shown.

### DESCRIPTION

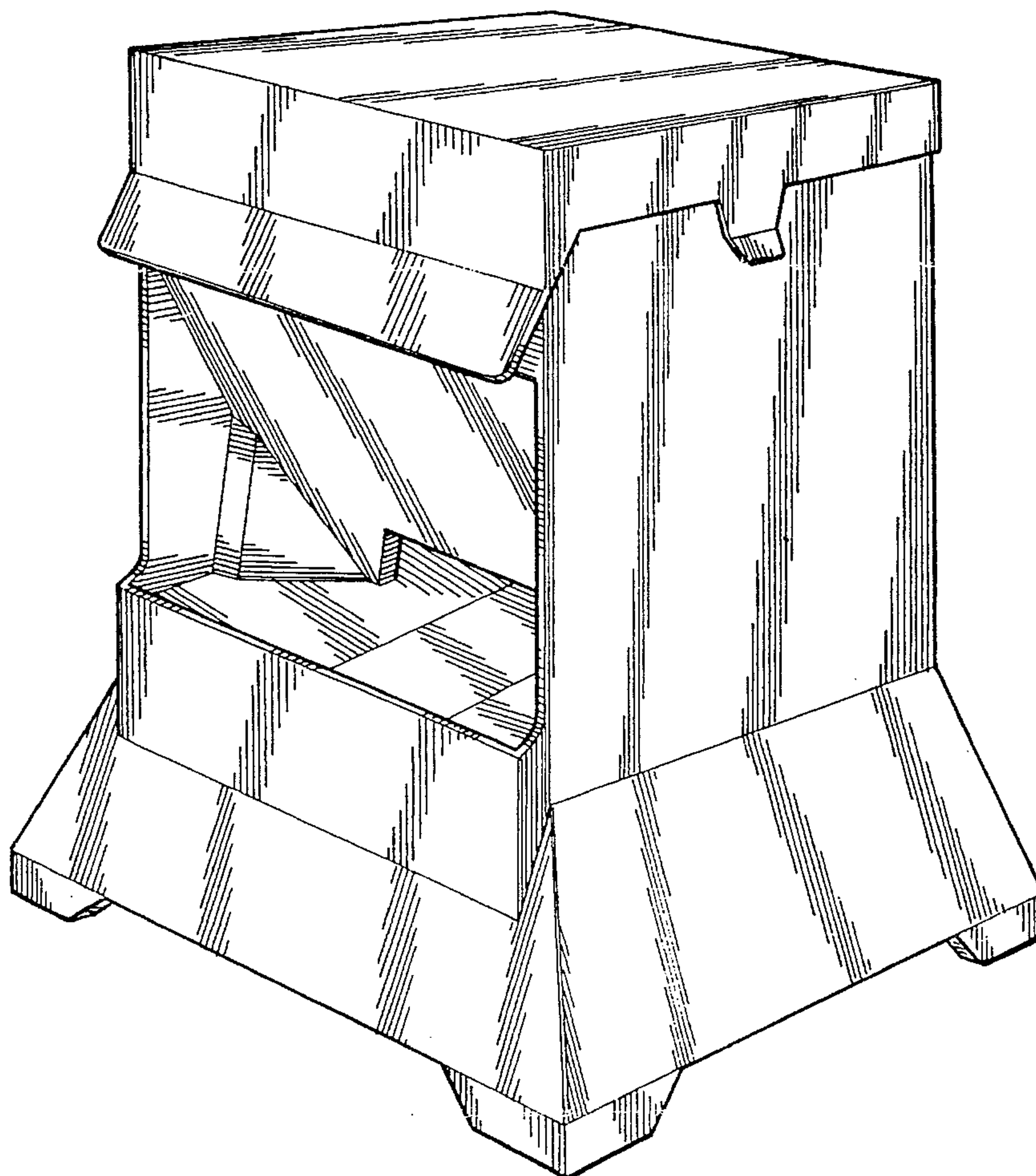
### [56] References Cited

#### U.S. PATENT DOCUMENTS

D. 195,165 5/1963 Johnson ..... D30/121  
D. 335,004 4/1993 Poston ..... D30/121  
D. 338,287 8/1993 Tonner ..... D30/122  
1,450,258 4/1923 Jacobus et al. .... D30/121  
3,085,550 4/1963 Crawford ..... 119/61  
3,324,833 6/1967 Clugston ..... 119/61

FIG. 1 is a perspective view of a pet food dispenser showing my new design;  
FIG. 2 is a front elevational view thereof;  
FIG. 3 is a rear elevational view thereof;  
FIG. 4 is a top plan view thereof;  
FIG. 5 is a bottom plan view thereof; and,  
FIG. 6 is a right side elevational view, the left side being a mirror image thereof.

**1 Claim, 5 Drawing Sheets**



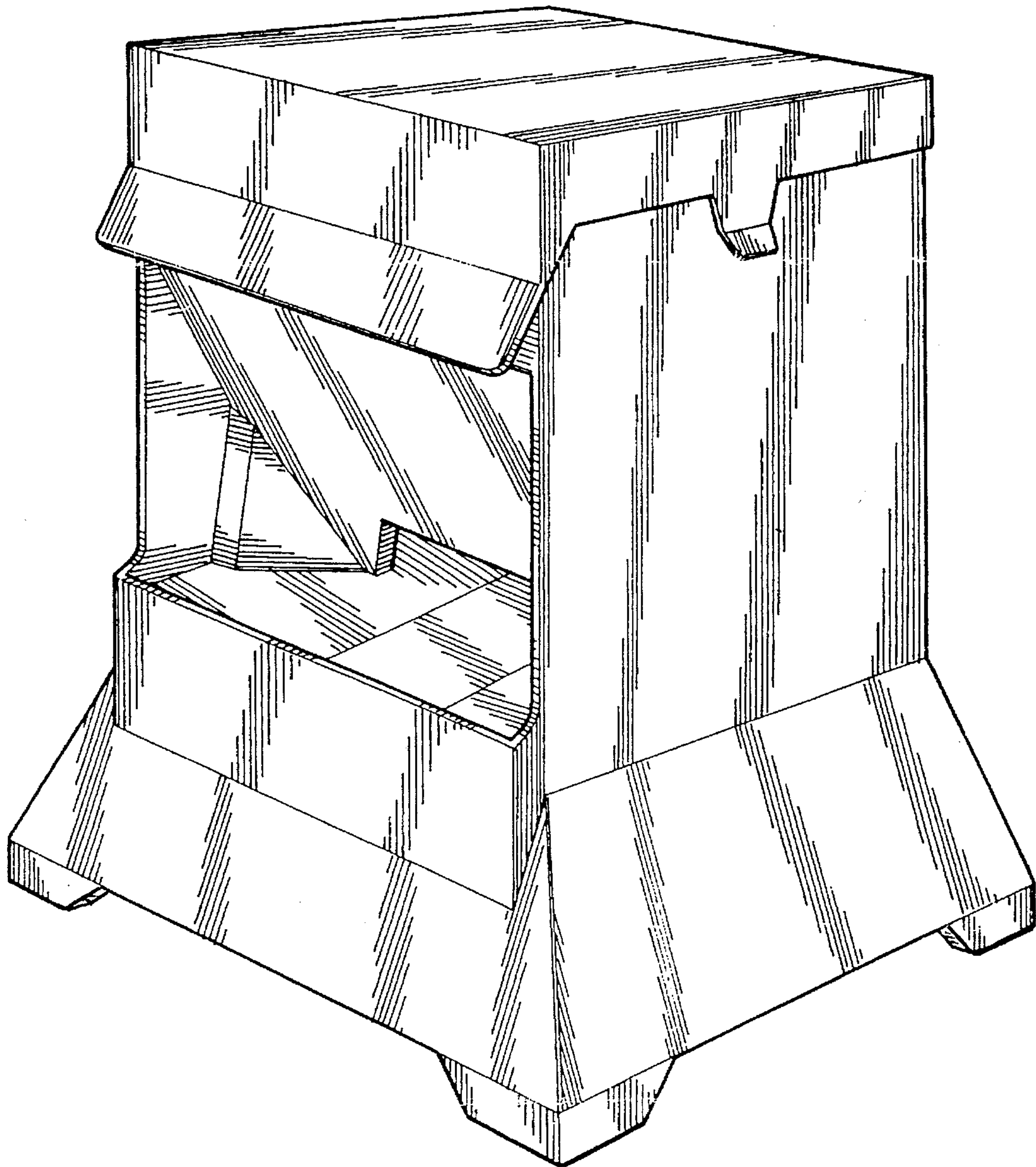


FIG. 1

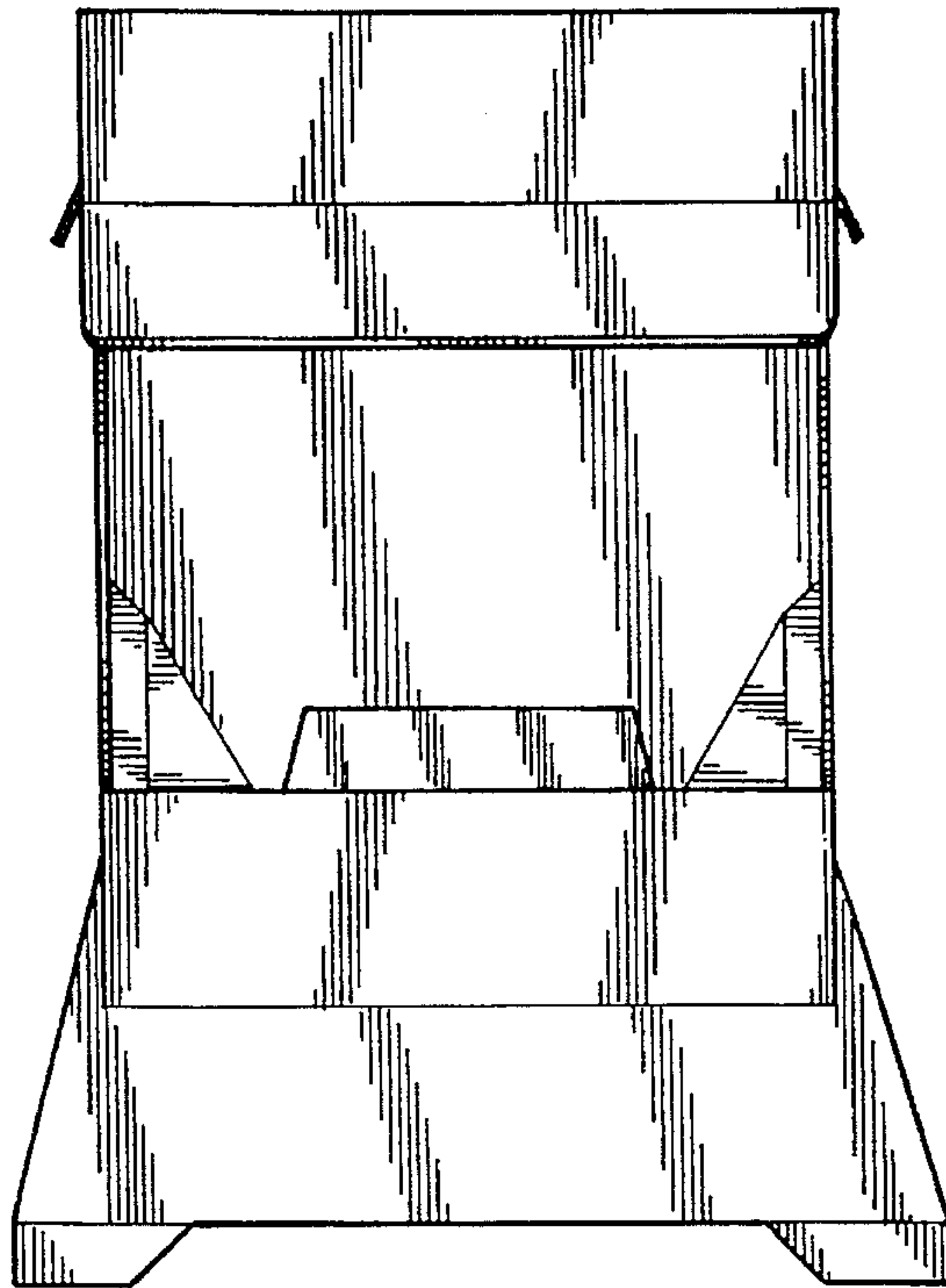


FIG. 2

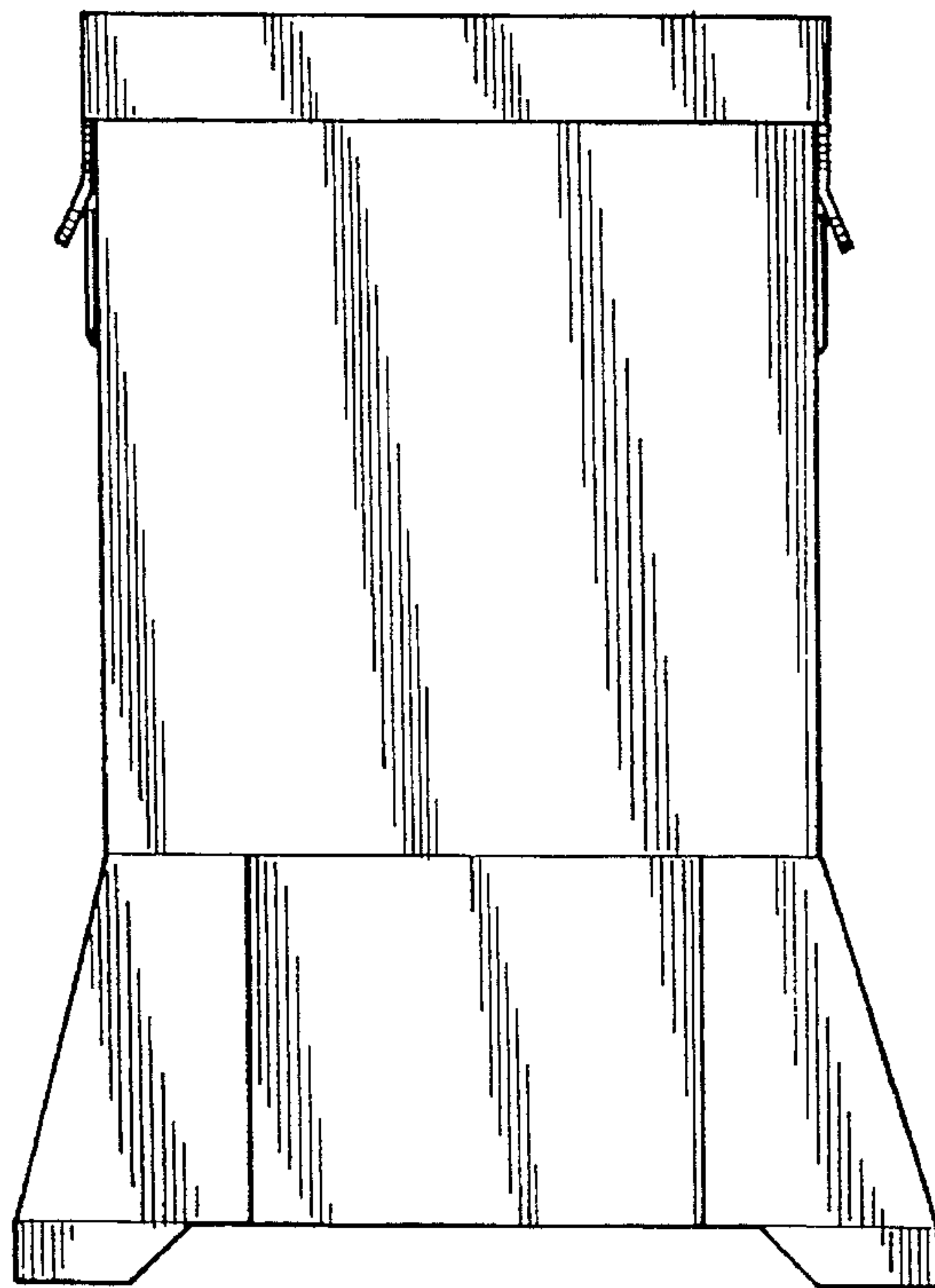
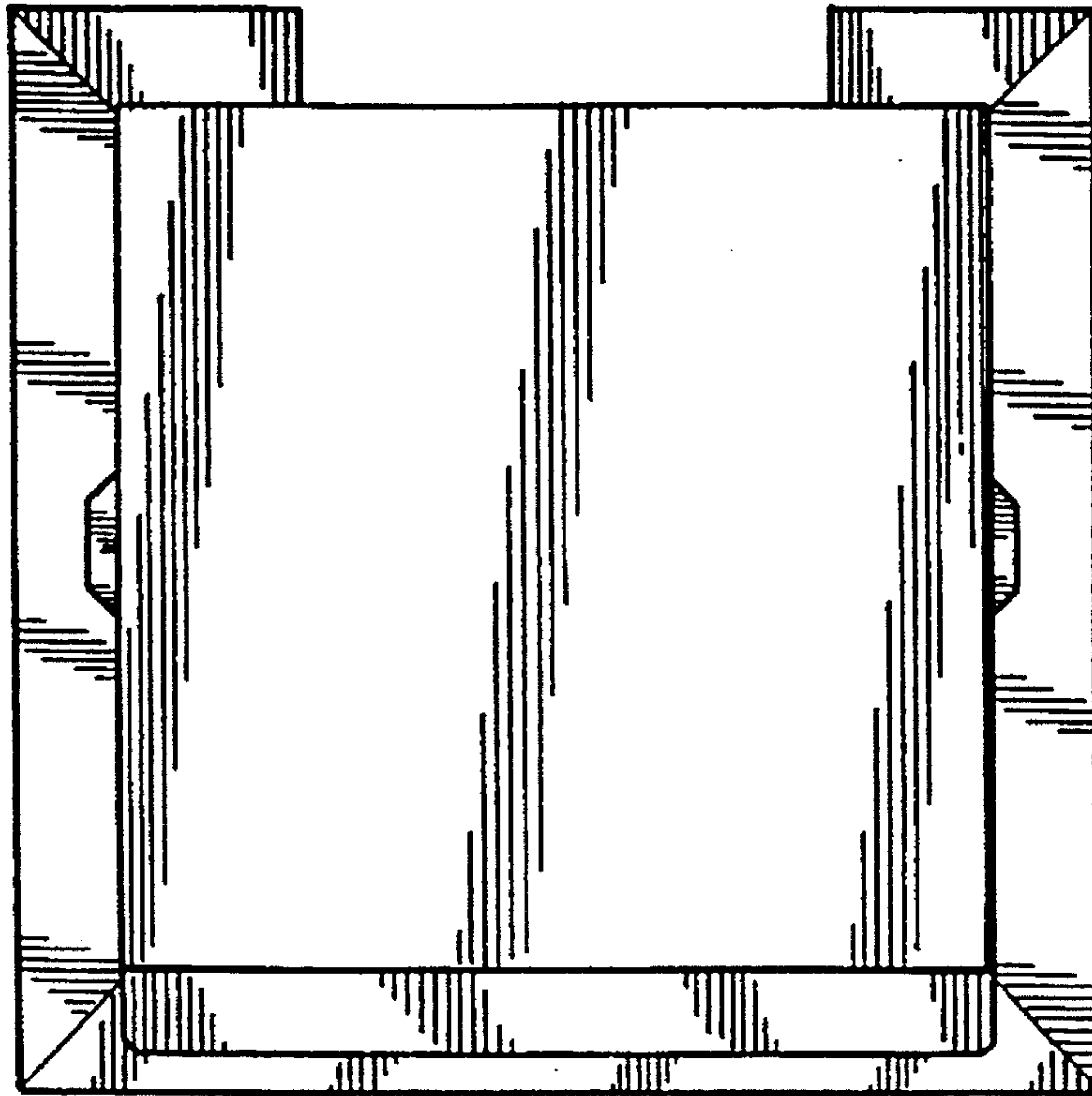
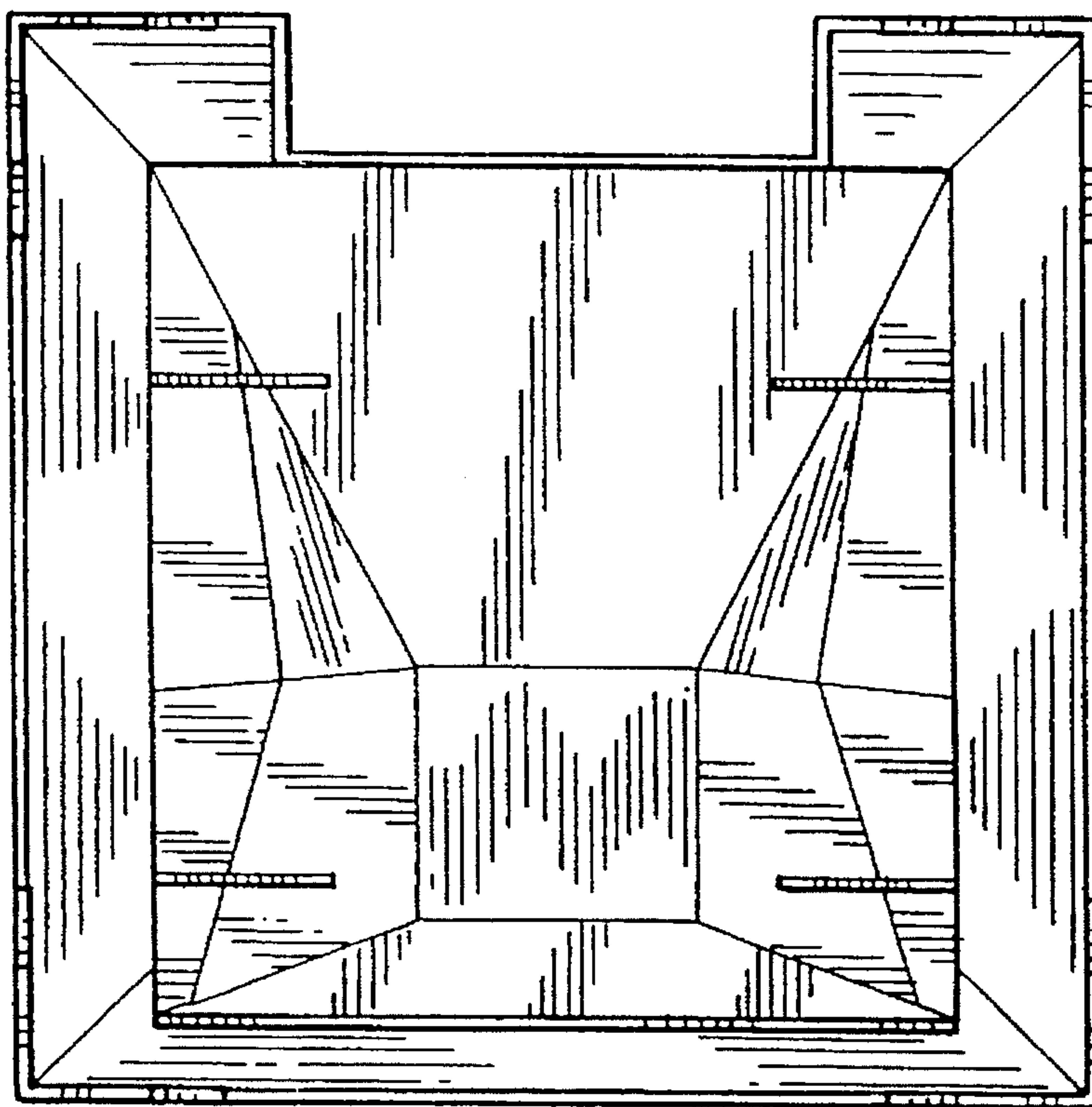


FIG. 3



*FIG. 4*





*FIG. 5*

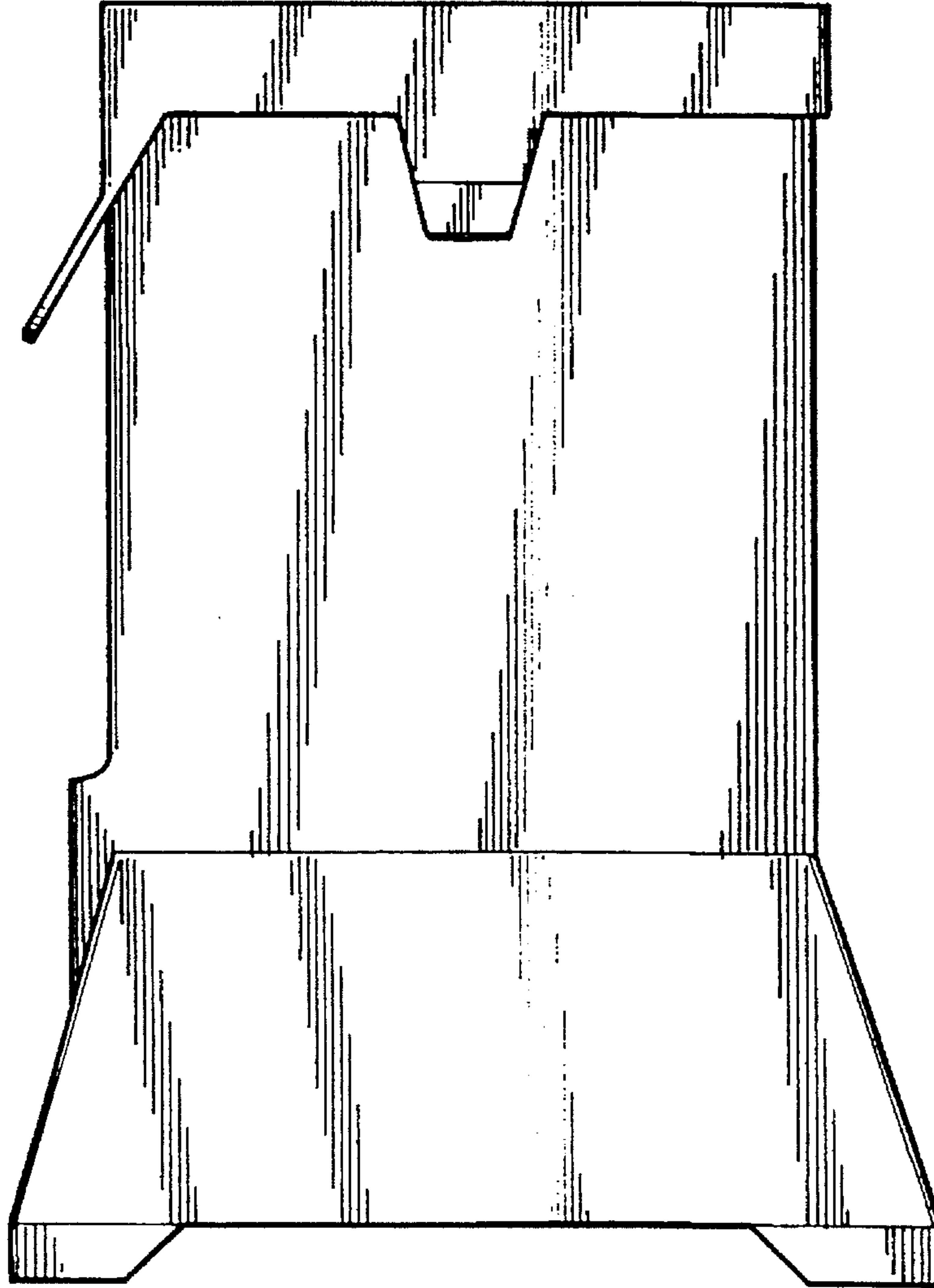


FIG. 6