



US00D377540S

United States Patent [19]

[11] Patent Number: **Des. 377,540**

Lewthwaite

[45] Date of Patent: ****Jan. 21, 1997**

[54] **ELECTRIC FLASHLIGHT**

5,307,255 4/1994 Chen 362/410

[76] Inventor: **George E. Lewthwaite**, 6 Fraserton Crescent, Scarborough, Ontario, Canada, M1J 1S6

OTHER PUBLICATIONS

Capri Lite Low Voltage Lighting Catalog, ©1981, p. 7, projector housing #926, (gr. 2900-Spotlight Box).

[**] Term: **14 Years**

Primary Examiner—Susan J. Lucas

[21] Appl. No.: **39,493**

[57] CLAIM

[22] Filed: **May 30, 1995**

The ornamental design for an electric flashlight, as shown and described.

[52] U.S. Cl. **D26/64; D26/49**

[58] Field of Search D26/61, 63, 64, D26/65, 66, 49; 362/269, 275, 418, 419, 421, 427, 190, 191, 371, 258

DESCRIPTION

[56] References Cited

U.S. PATENT DOCUMENTS

D. 281,538	11/1985	Wang	D26/64
D. 293,478	12/1987	Palone	D26/63 X
1,459,104	6/1923	Johnson	362/413
2,220,220	11/1940	Cusimano	362/413 X
2,453,967	11/1948	Browne	362/413 X
2,732,543	1/1956	Mogren	362/190 X
2,962,583	11/1960	Balser	D26/63 X

FIG. 1 is a front elevational view of the electric flashlight showing my new design;
FIG. 2 is a rear elevational view thereof;
FIG. 3 is a left side elevational view thereof;
FIG. 4 is a right side elevational view thereof;
FIG. 5 is a top plan view thereof;
FIG. 6 is a bottom plan view thereof; and,
FIG. 7 is an exploded side elevational view thereof, showing the housing separated from the adjustable stand.

1 Claim, 4 Drawing Sheets

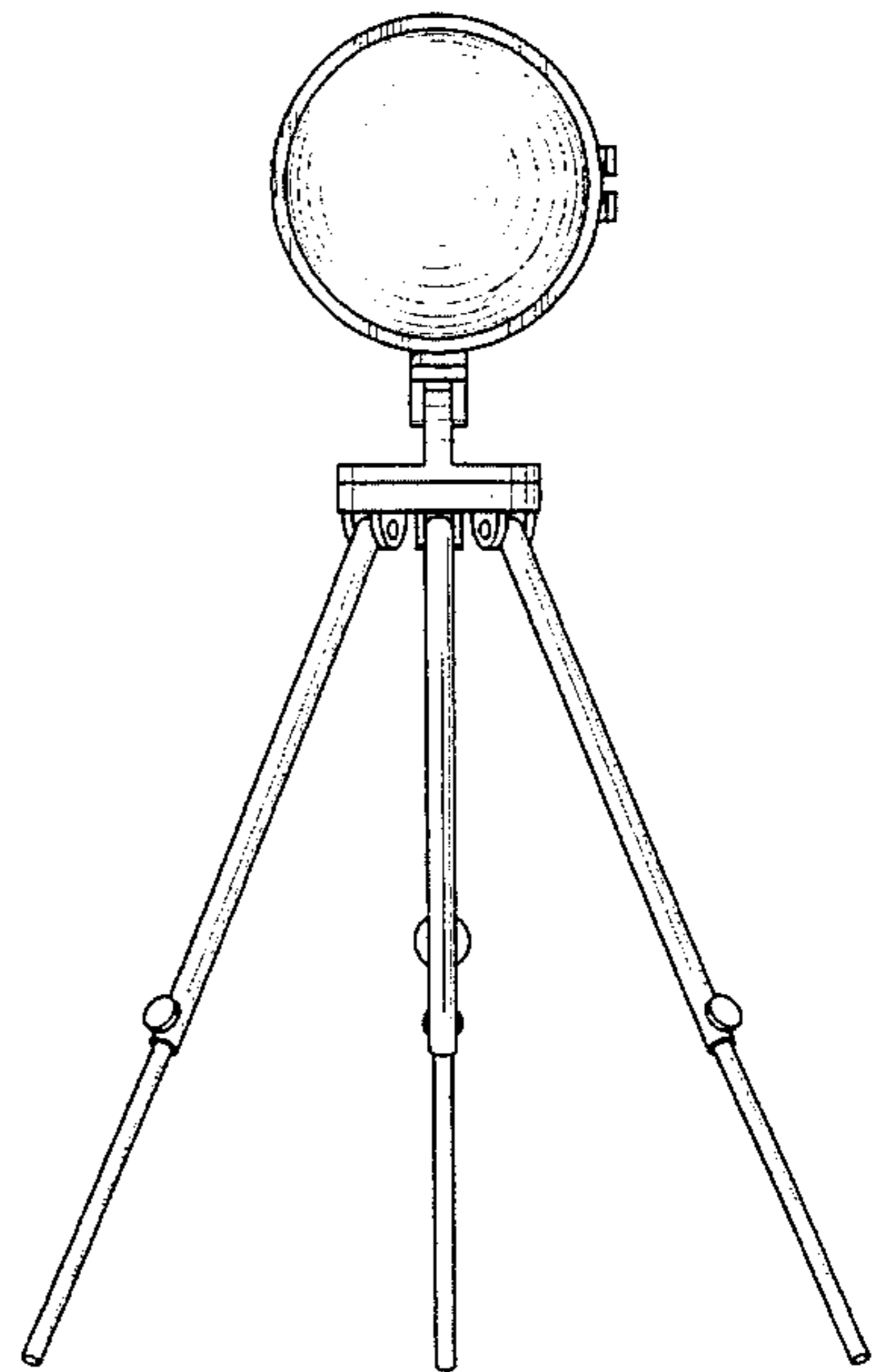
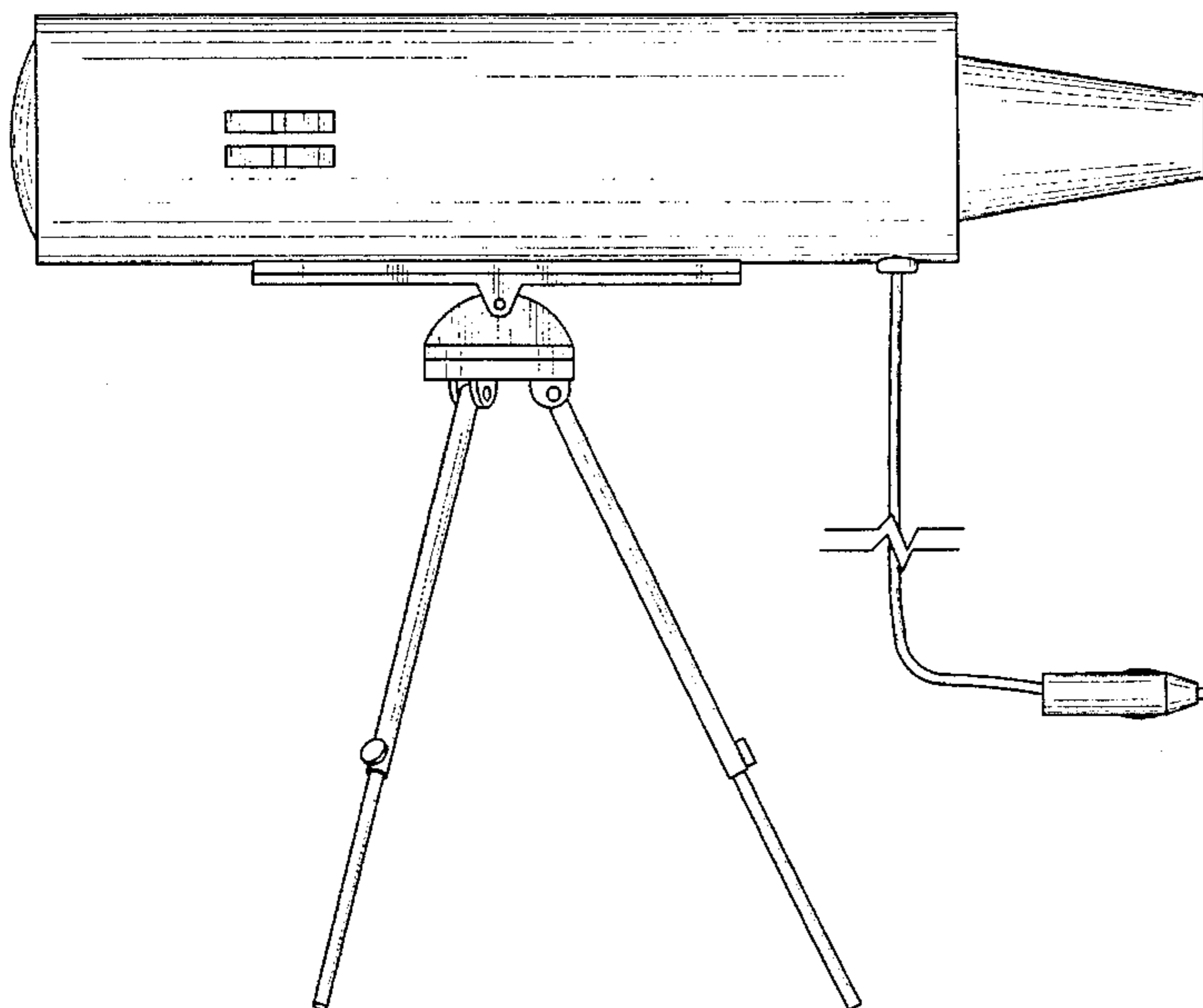


FIG. 1

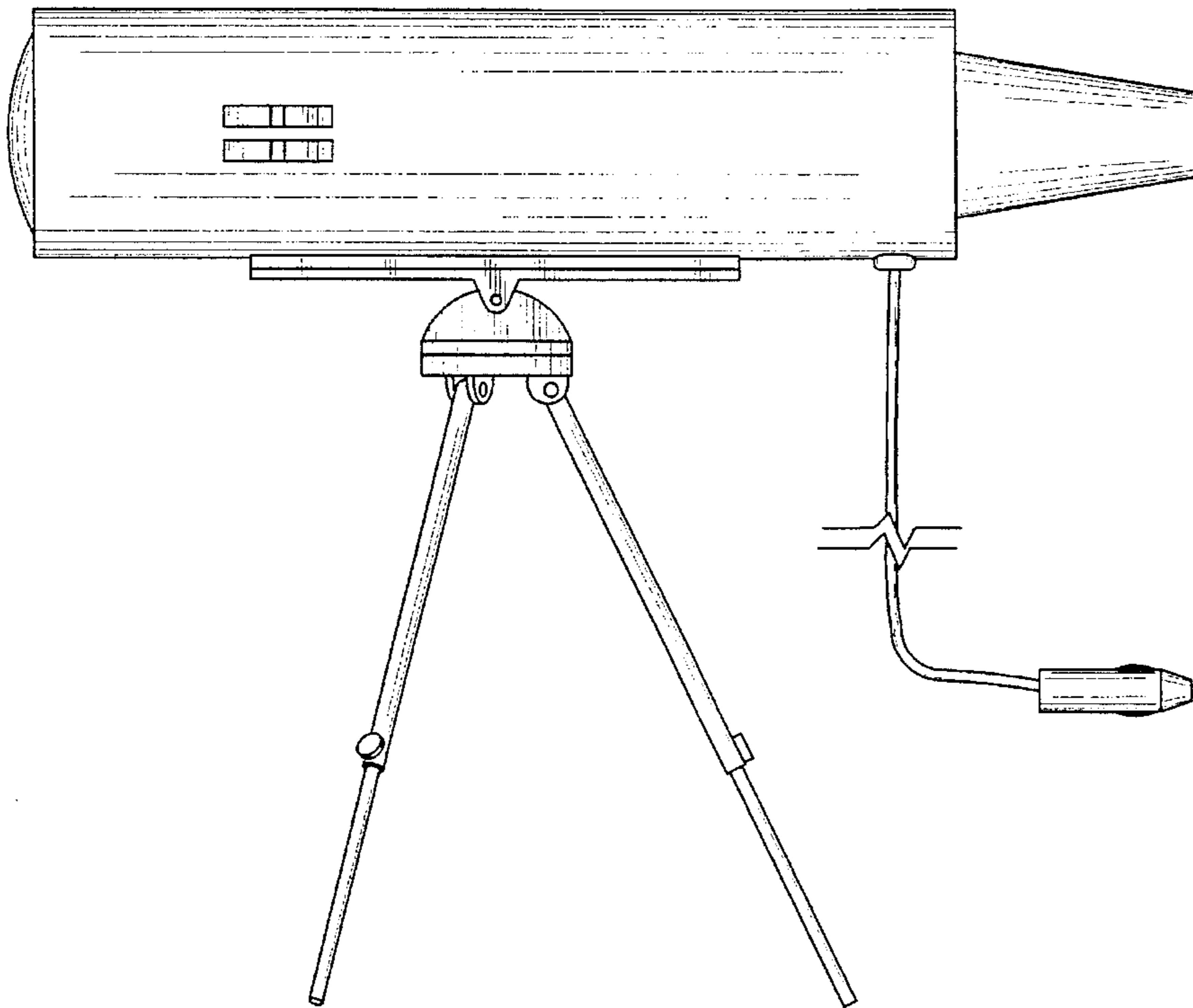


FIG. 2

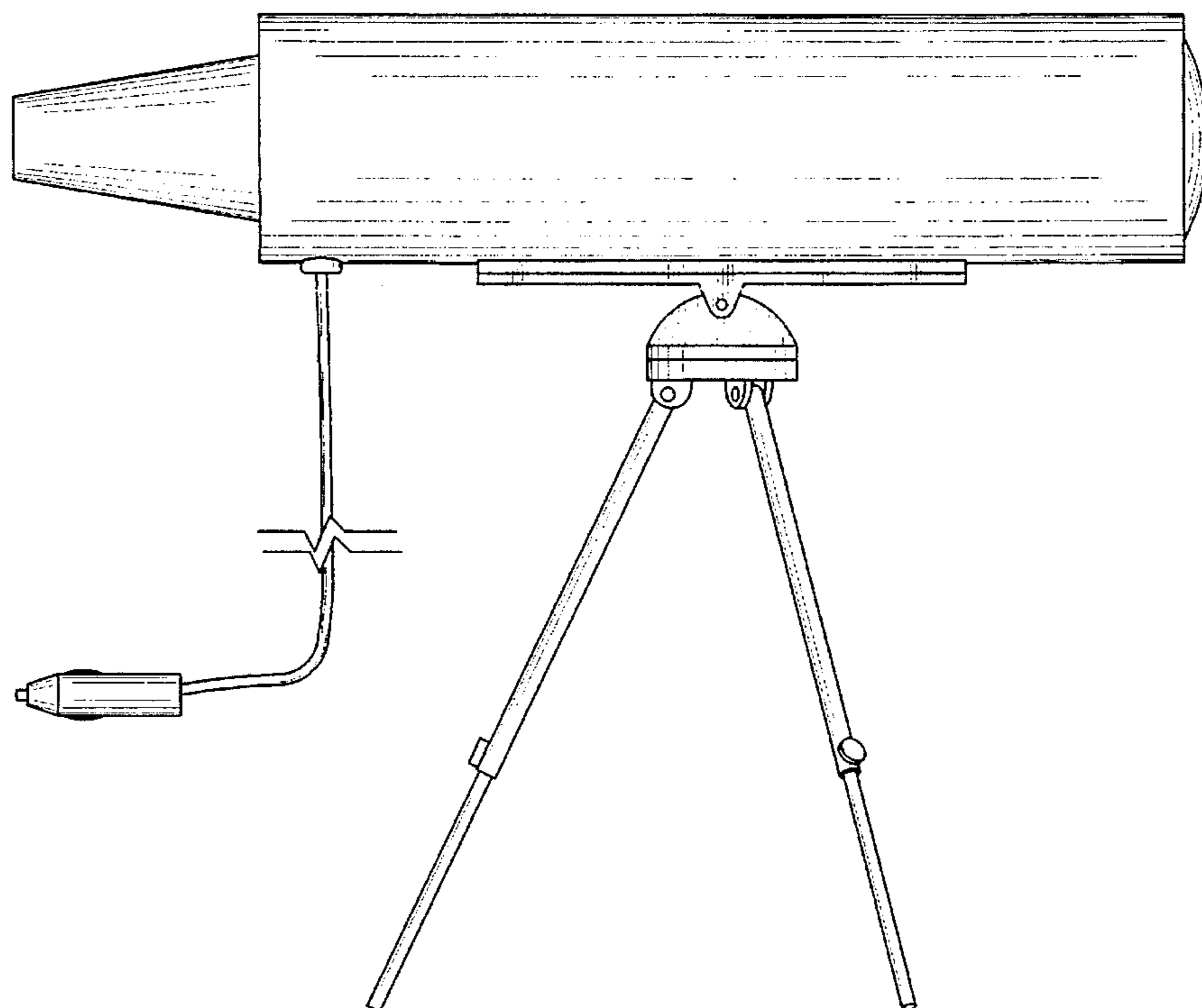


FIG. 3

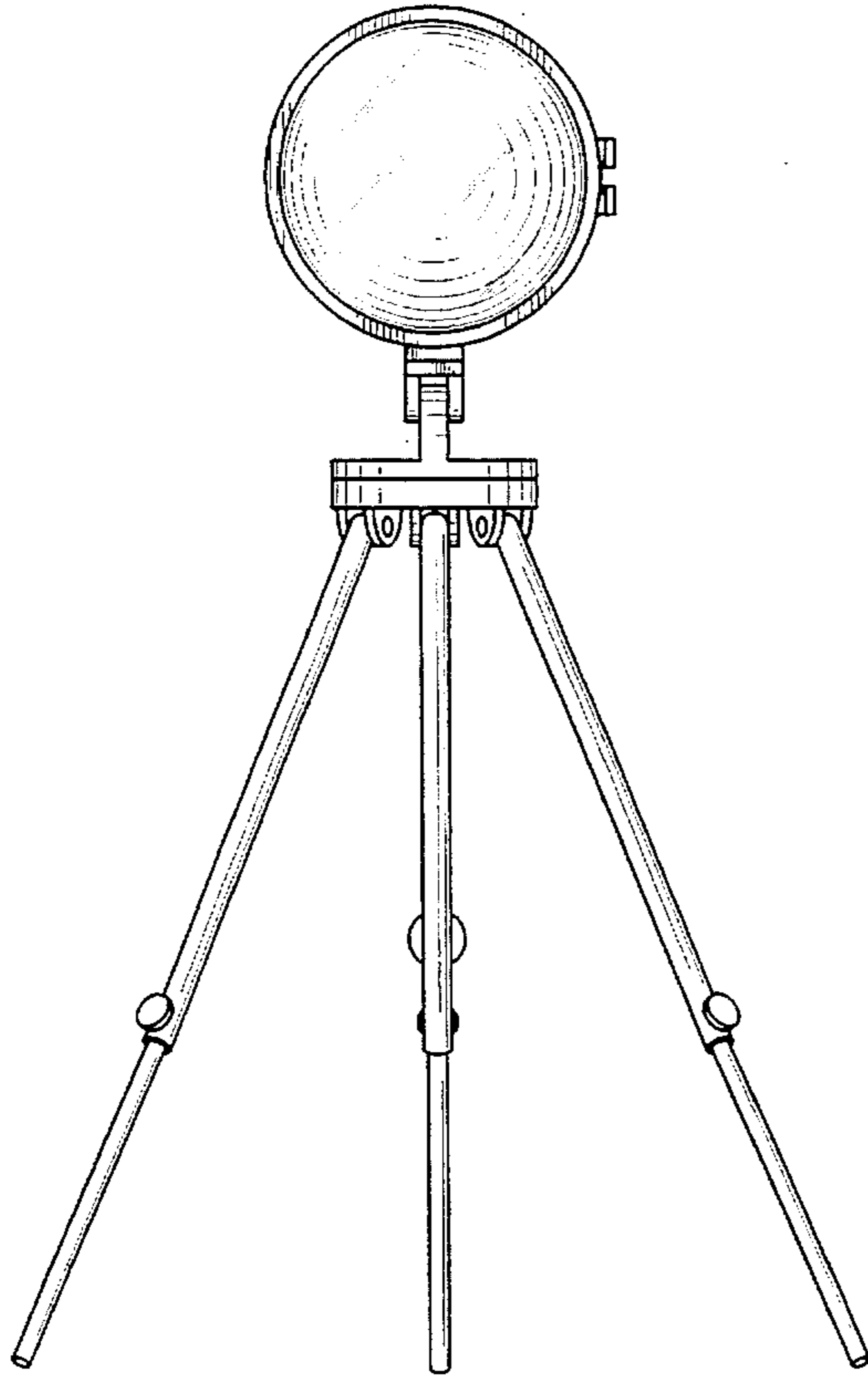


FIG. 4

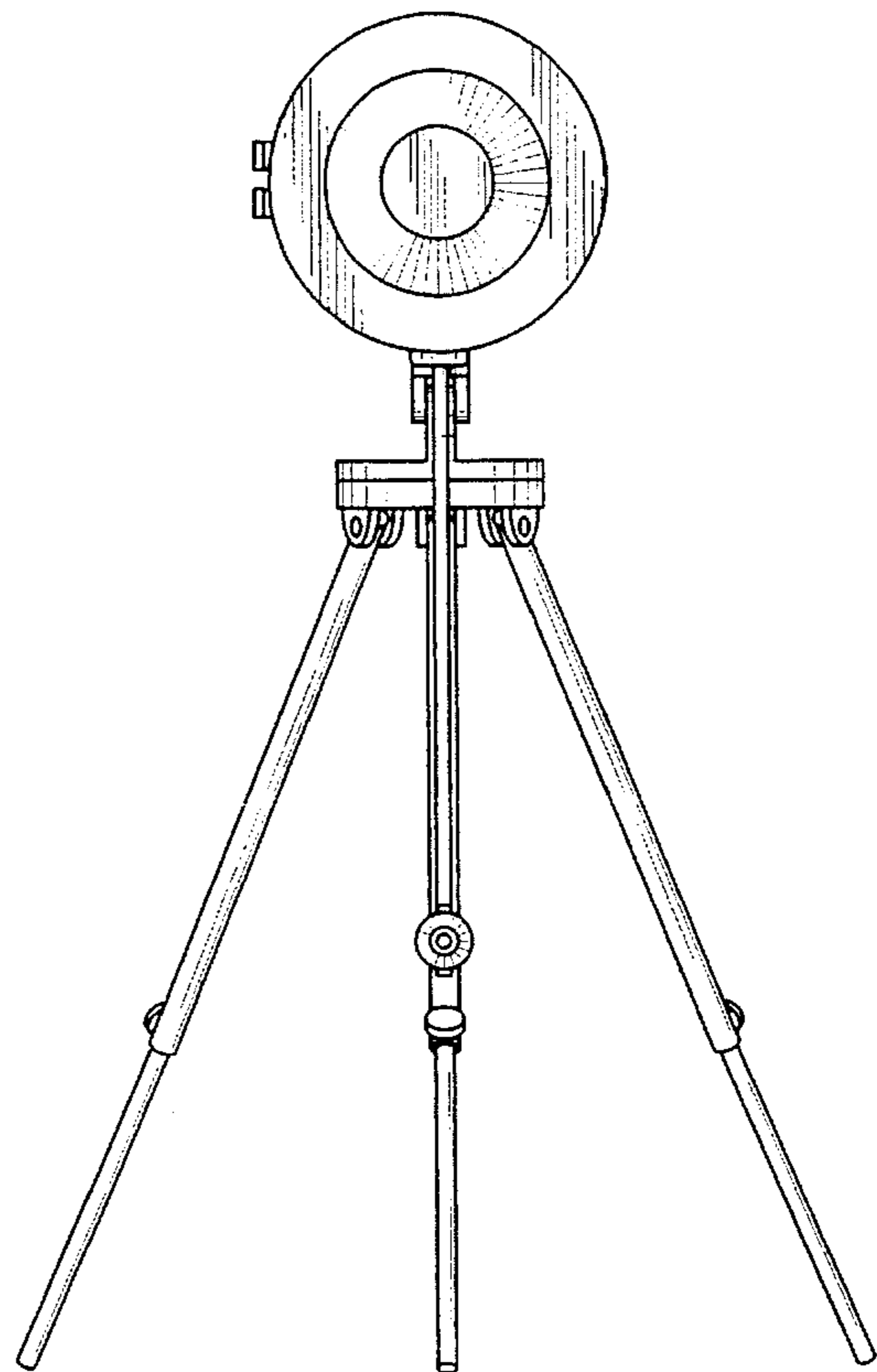


FIG. 5

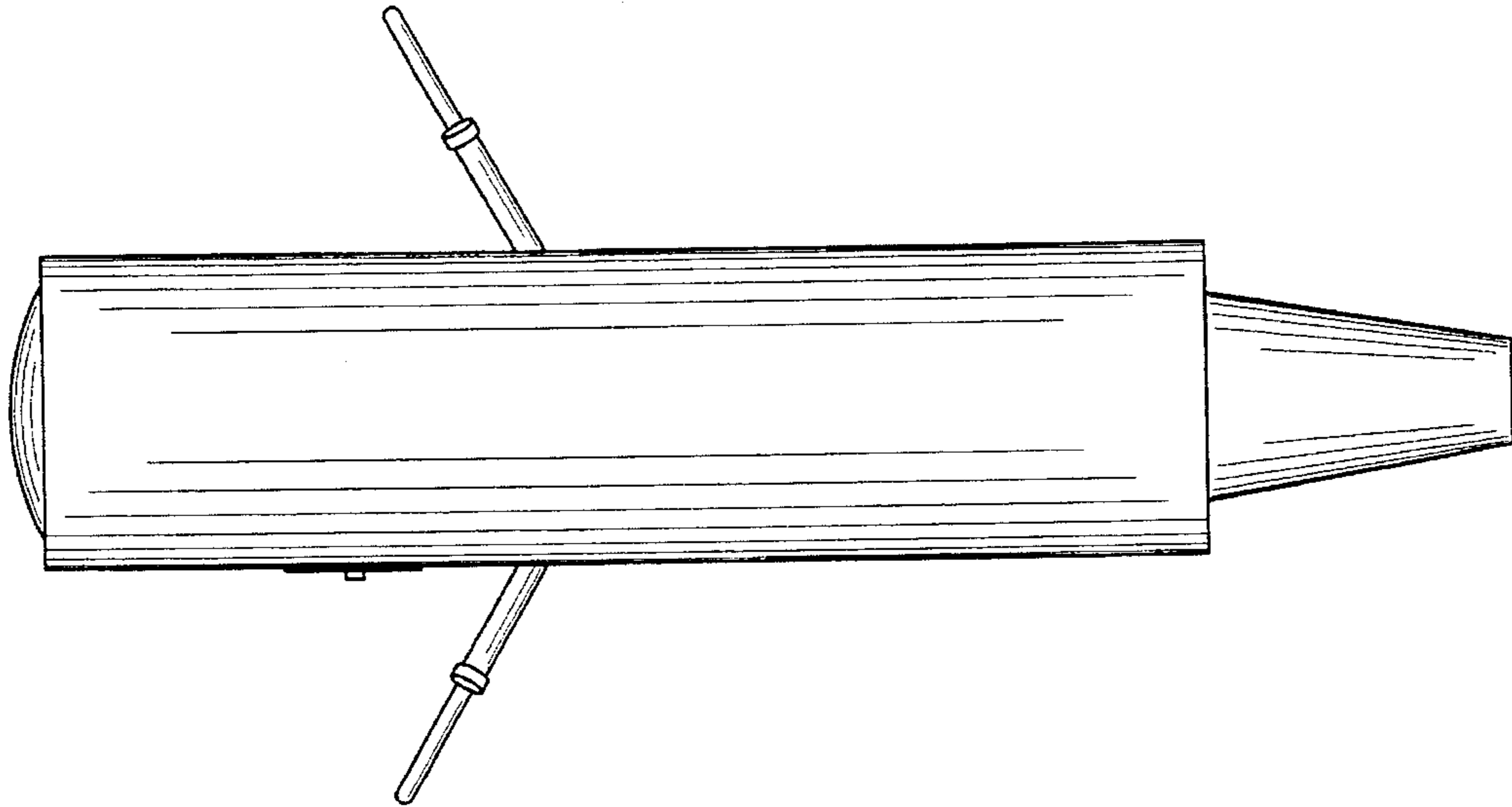


FIG. 6

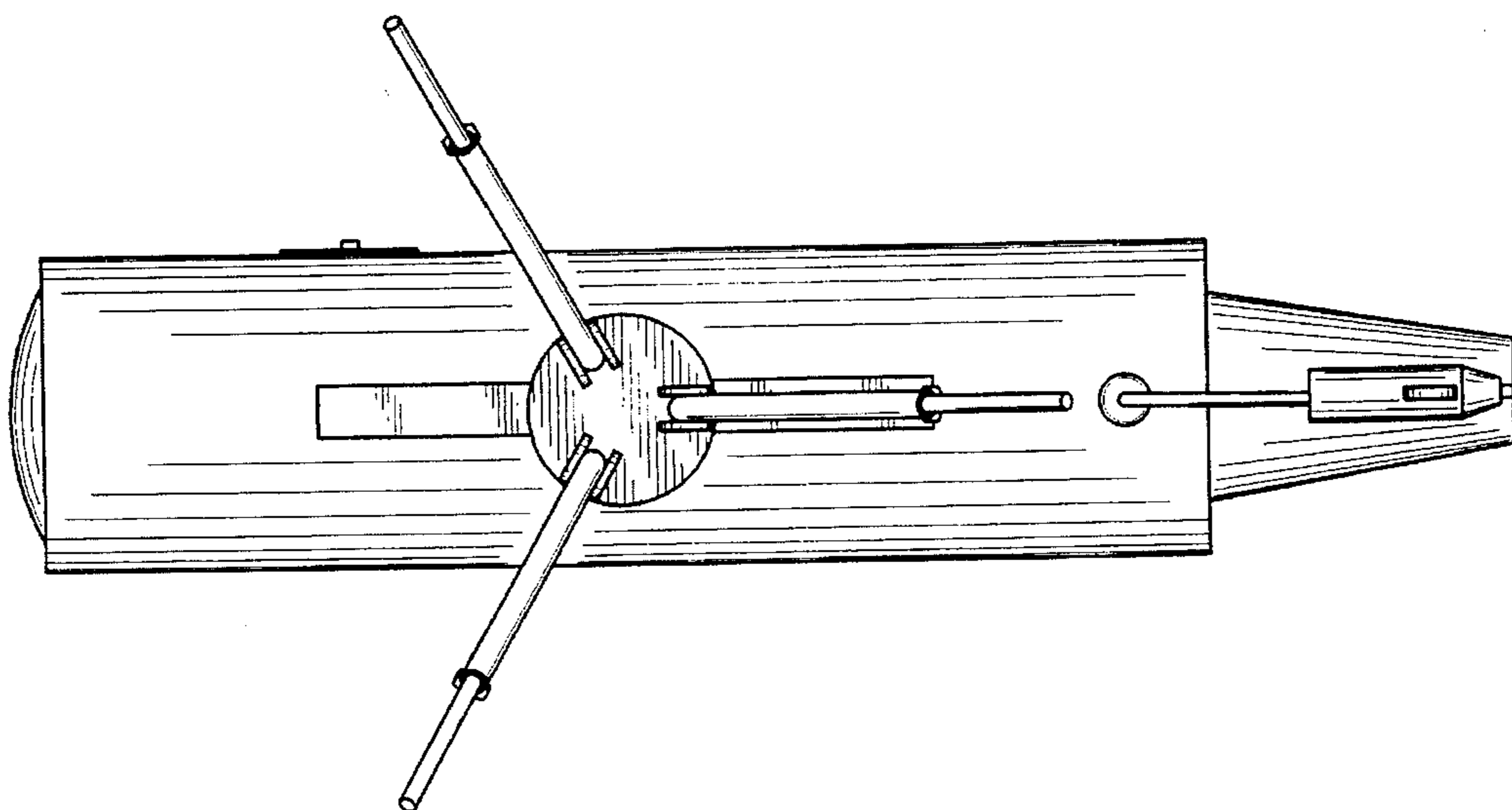


FIG. 7

