



US00D377539S

**United States Patent** [19]

[11] **Patent Number: Des. 377,539**

**Swanson**

[45] **Date of Patent: \*\*Jan. 21, 1997**

[54] **COMBINED TORCHIERE WITH TASK LIGHTS AND TABLE**

[57] **CLAIM**

[75] Inventor: **Dennis K. Swanson**, Woodland Hills, Calif.

The ornamental design for a combined torchiere with task lights and table, as shown and described.

[73] Assignee: **Lamps Plus, Inc.**, Chatsworth, Calif.

**DESCRIPTION**

[\*\*] Term: **14 Years**

FIG. 1 is a perspective view of the combined torchiere with task lights and table in accordance with the present invention;

[21] Appl. No.: **48,485**

FIG. 2 is a front elevational view thereof;

[22] Filed: **Dec. 29, 1995**

FIG. 3 is a right side elevational view thereof;

[52] U.S. Cl. .... **D26/63; D26/58; D26/102**

FIG. 4 is a left side elevational view thereof;

[58] **Field of Search** ..... D26/93, 102-112, D26/62, 63, 65, 58; 362/410-414, 269, 275, 285, 250, 127, 418, 419, 427

FIG. 5 is a top plan view thereof;

FIG. 6 is a bottom view thereof;

[56] **References Cited**

**U.S. PATENT DOCUMENTS**

D. 146,113	12/1946	McGinnis .....	D26/63
D. 348,114	6/1994	Swanson .....	D26/63
D. 353,904	12/1994	Swanson .....	D26/63

FIG. 7 is a fragmentary perspective view of one of the task lights on an enlarged scale, the design being fragmentarily shown for convenience of illustration; and,

FIG. 8 is a fragmentary perspective view of the torchiere head on an enlarged scale, the design being fragmentarily shown for convenience of illustration.

**OTHER PUBLICATIONS**

Abitare, Dec. 1988, p. 207, Floor Lamp.

*Primary Examiner*—Susan J. Lucas

*Attorney, Agent, or Firm*—Robbins, Berliner & Carson, LLP

**1 Claim, 3 Drawing Sheets**

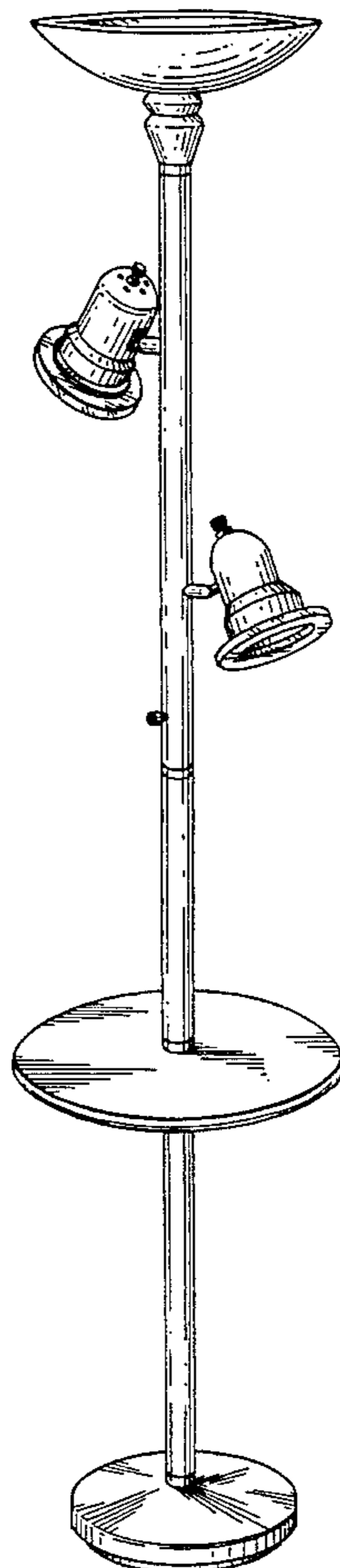


FIG. 1

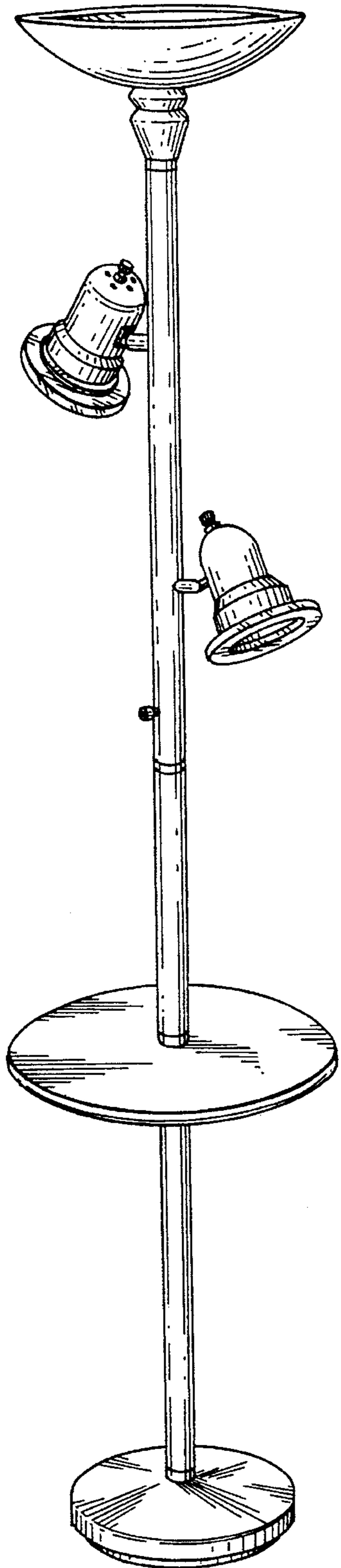


FIG. 2

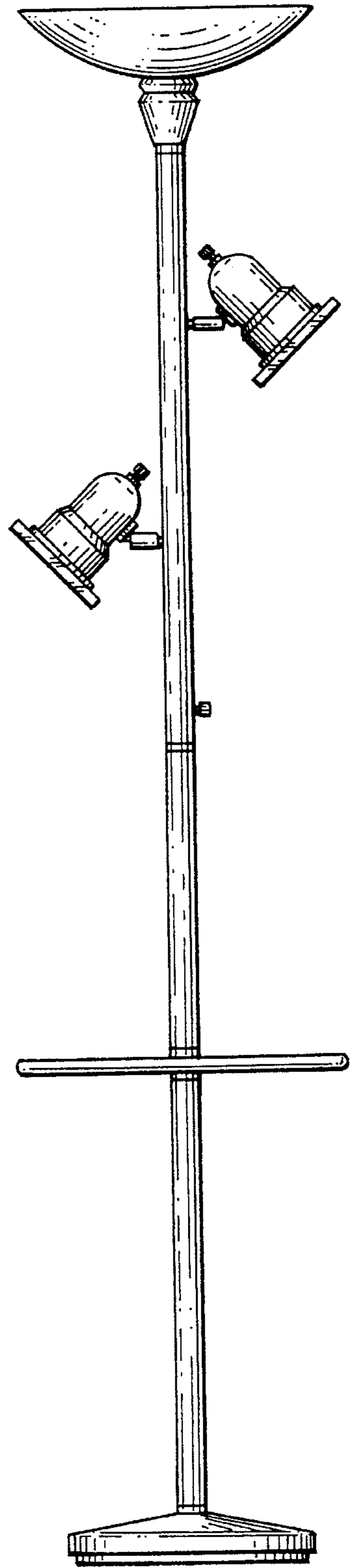


FIG. 3

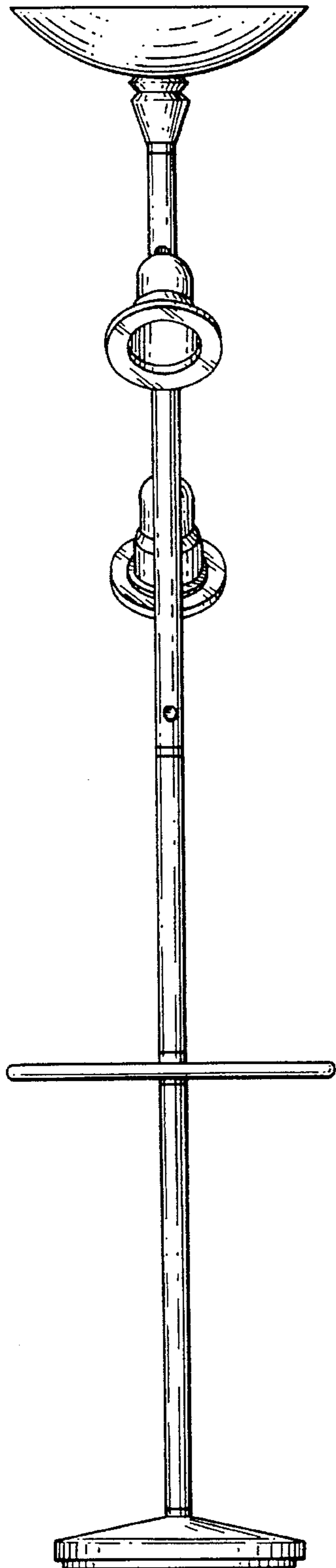


FIG. 4

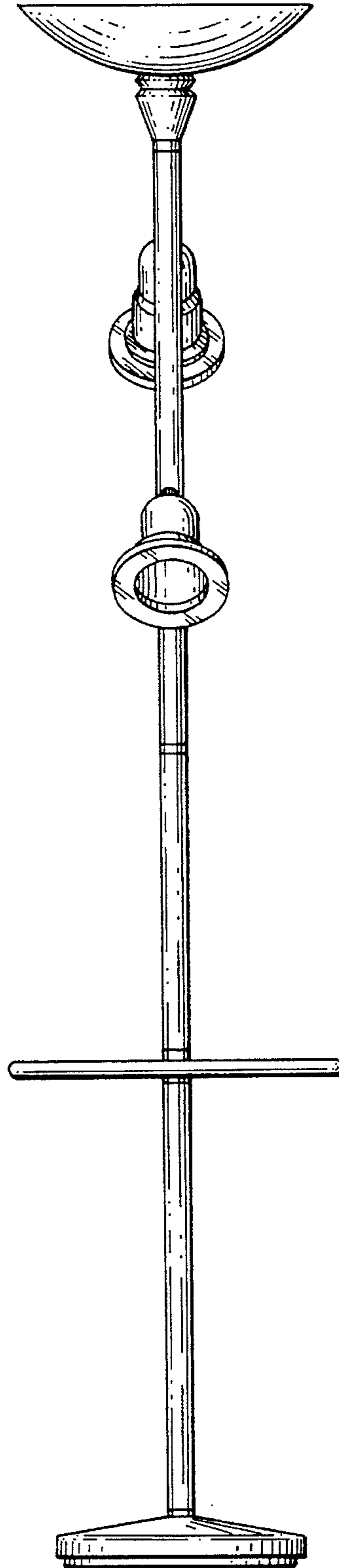


FIG. 5

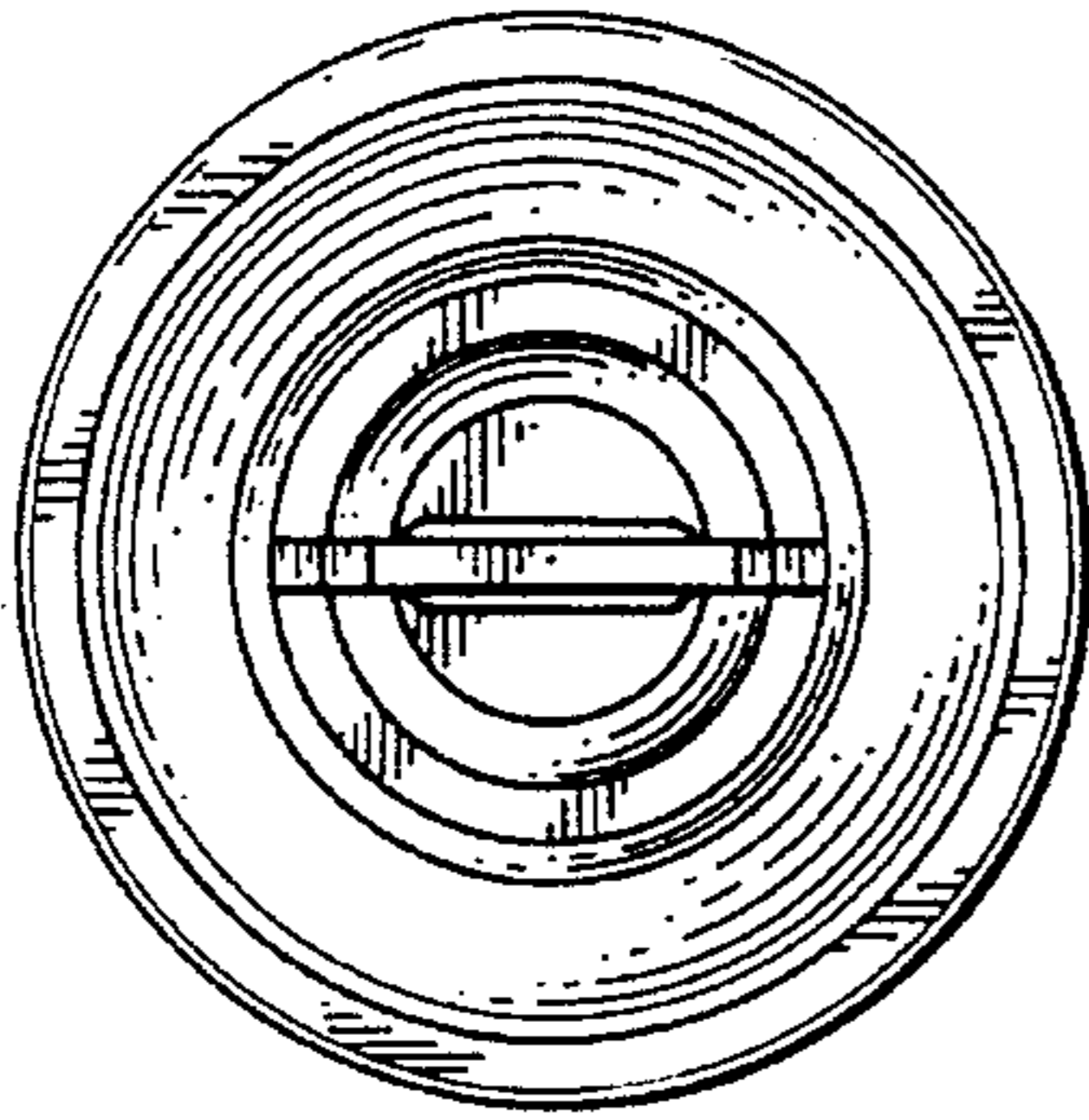


FIG. 6

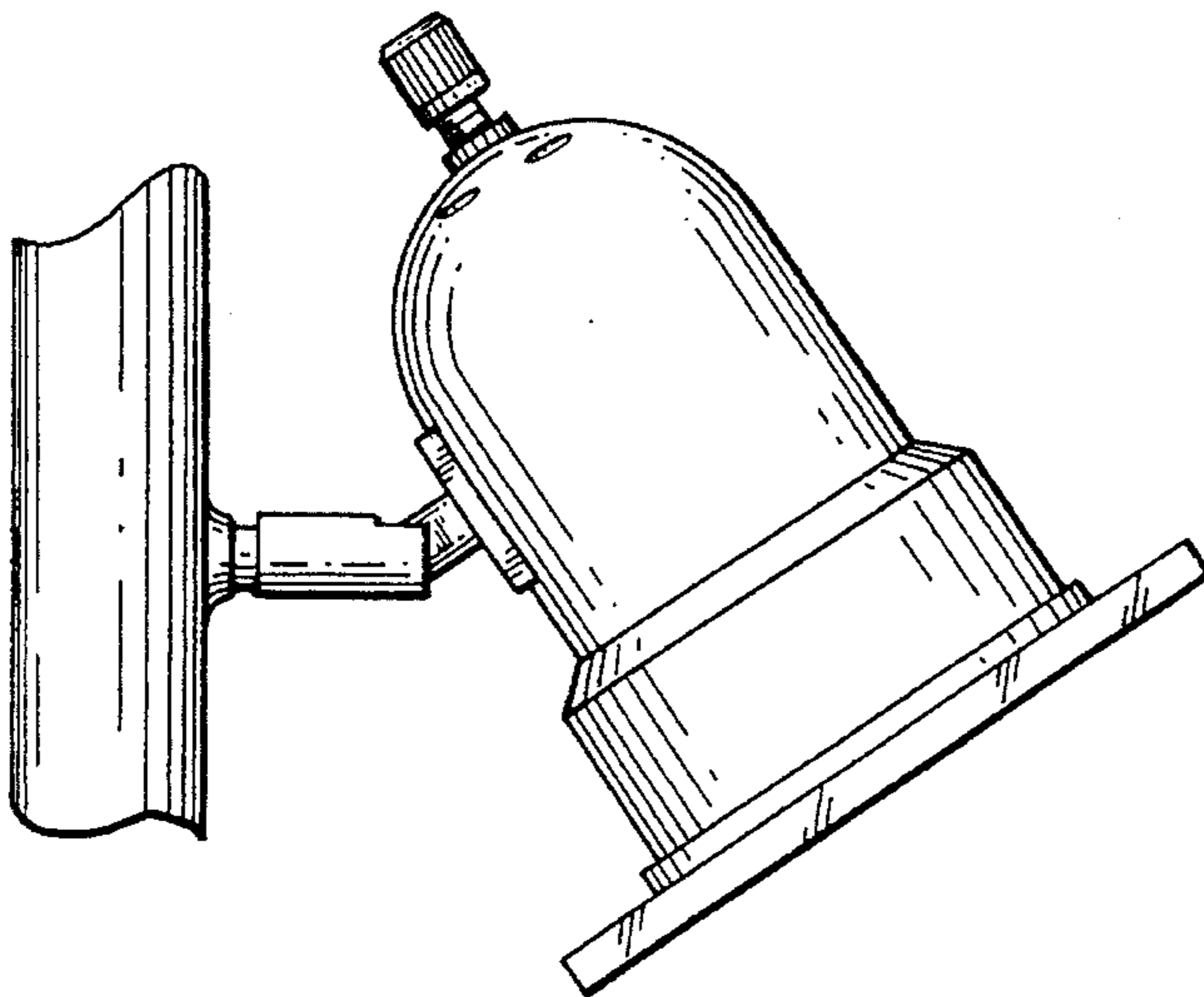
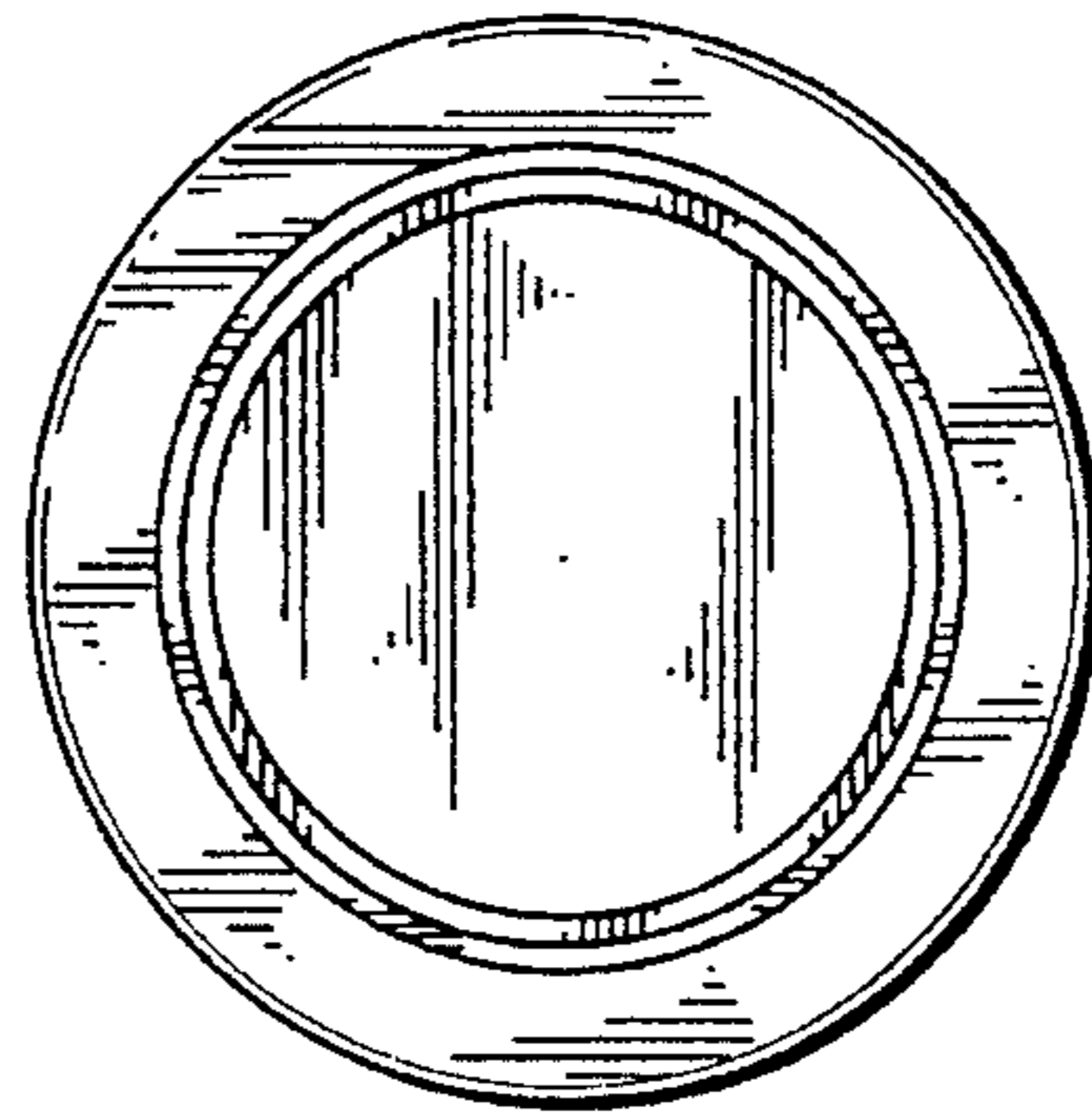


FIG. 7

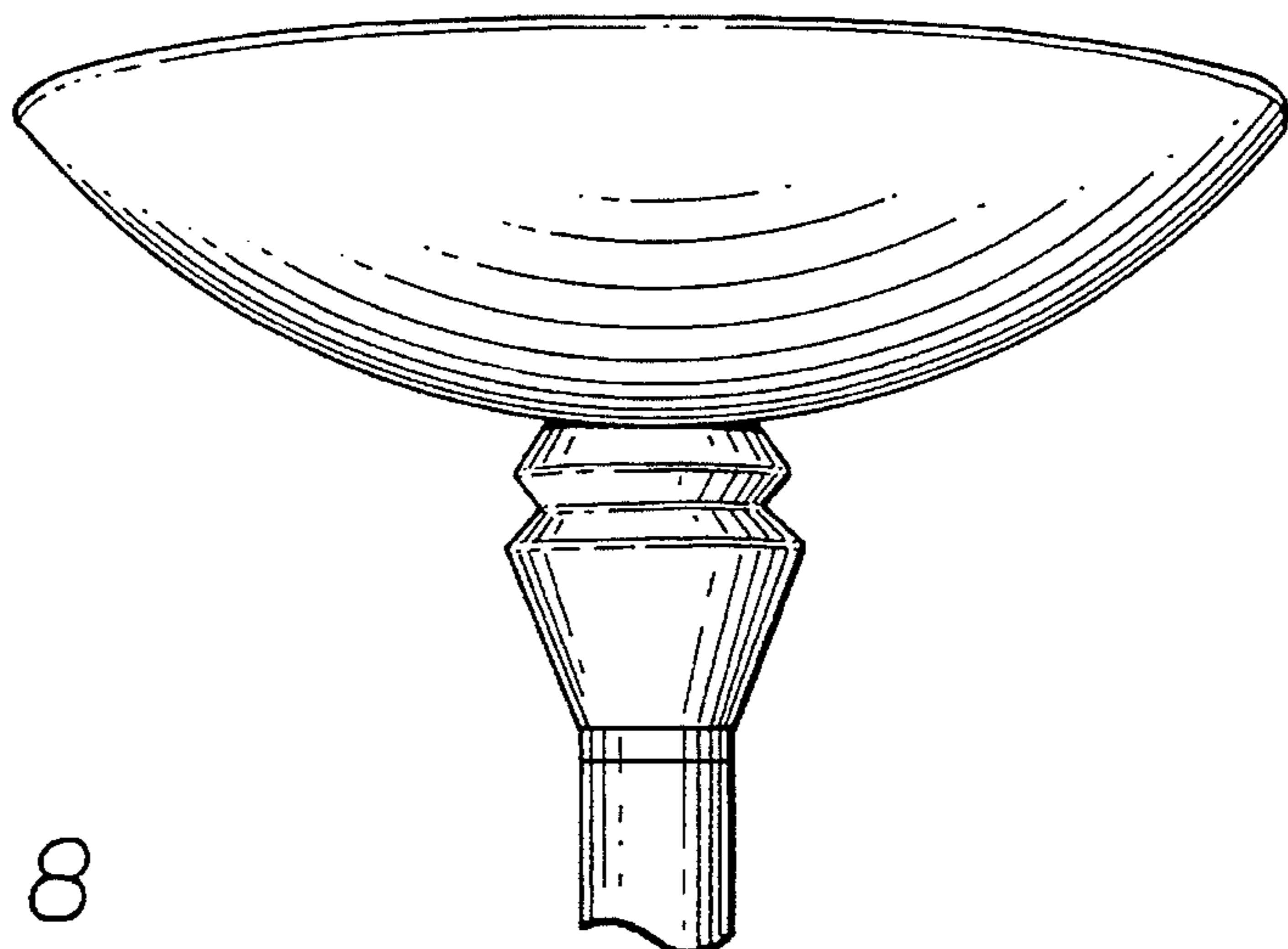


FIG. 8