



US00D377538S

United States Patent [19]

Blevins

[11] Patent Number: **Des. 377,538**

[45] Date of Patent: ****Jan. 21, 1997**

[54] **RECHARGEABLE FLASHLIGHT SYSTEM**

[76] Inventor: **Daniel Blevins**, 157 Rockwood Dr., Jonesborough, Tenn. 37659

[**] Term: **14 Years**

[21] Appl. No.: **47,620**

[22] Filed: **Dec. 8, 1995**

[52] U.S. Cl. **D26/38**

[58] Field of Search D26/37-50; 362/157, 362/158, 183-191, 196, 197, 198, 199, 200, 202, 205

[56] **References Cited**

U.S. PATENT DOCUMENTS

D. 308,253	5/1990	Battles et al.	D26/38
D. 334,993	4/1993	Zee	D26/38
D. 347,079	5/1994	Hung	D26/38
D. 351,675	10/1994	Sharrah et al.	D26/38

Primary Examiner—Marcus A. Jackson
Attorney, Agent, or Firm—Harold H. Dutton, Jr.; W. Charles L. Jamison; Diane F. Liebman

[57] **CLAIM**

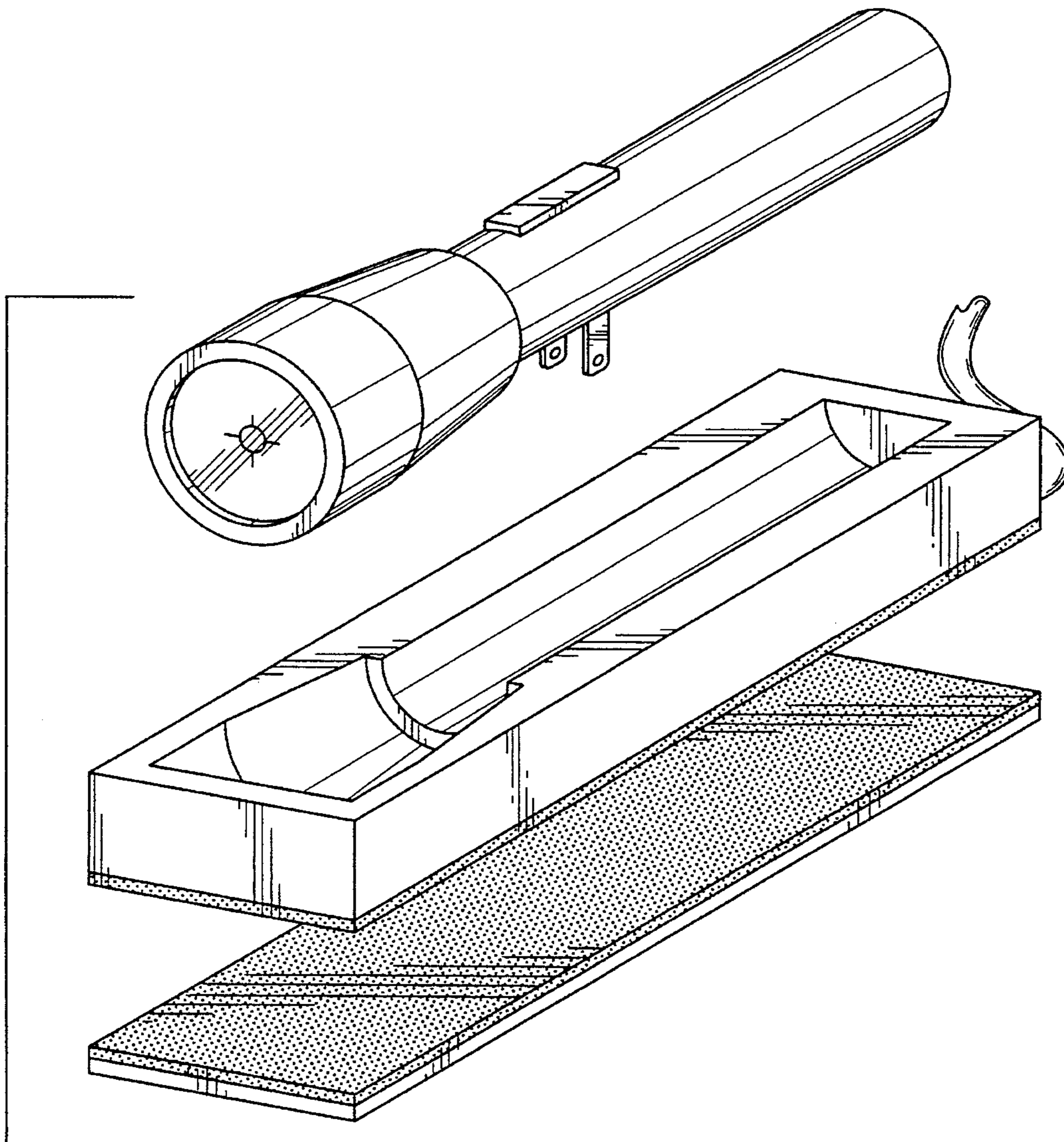
The ornamental design for a rechargeable flashlight system, as shown and described.

DESCRIPTION

FIG. 1 is an exploded perspective view of a rechargeable flashlight system showing my new design with the cord broken away to indicate indeterminate length; FIG. 2 is a top view thereof; FIG. 3 is a bottom view thereof; FIG. 4 is a side view thereof; FIG. 5 is a front view thereof; and, FIG. 6 is a rear view thereof.

The side opposite to that shown in FIG. 4 is a mirror image thereof.

1 Claim, 3 Drawing Sheets



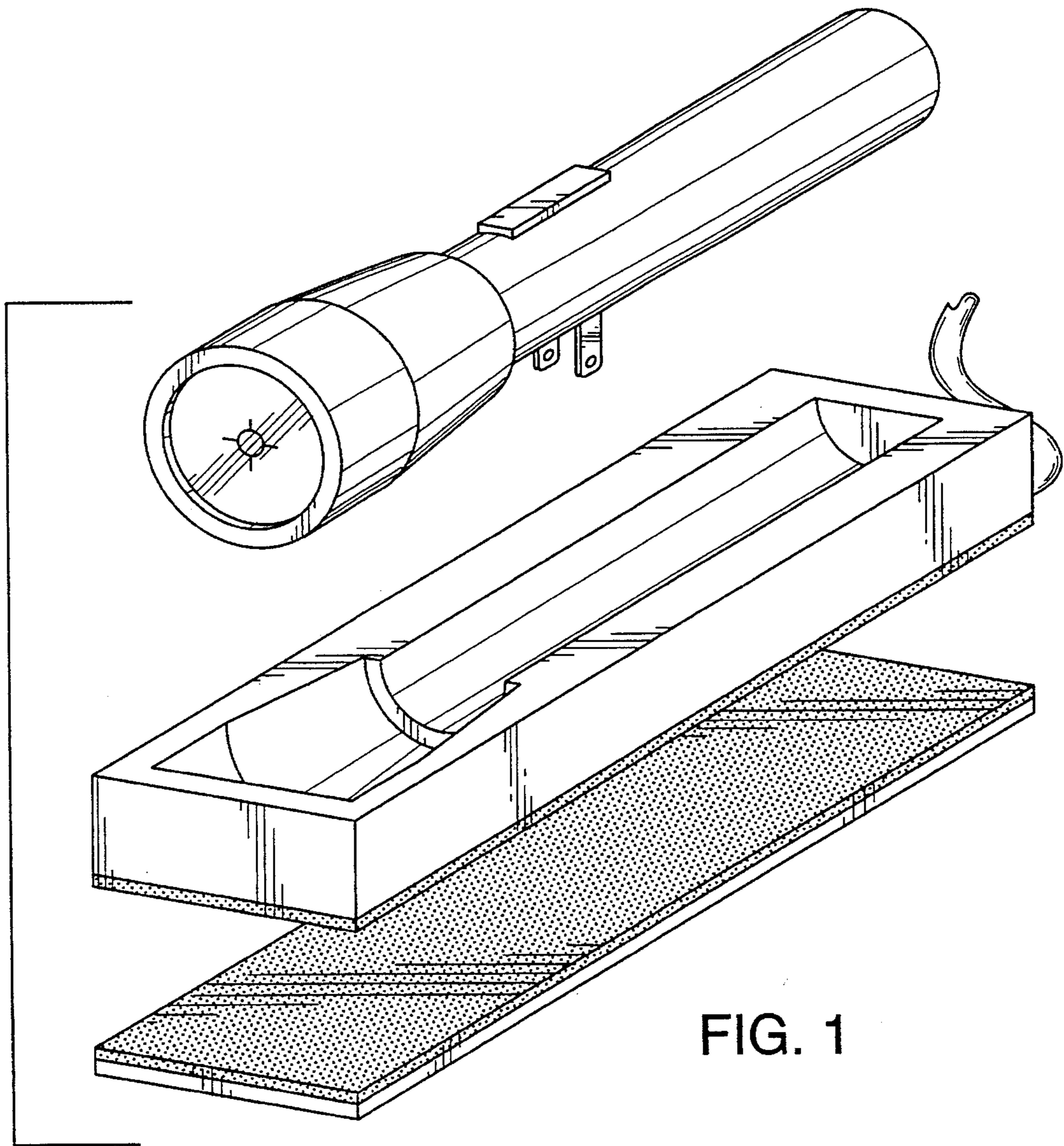


FIG. 1

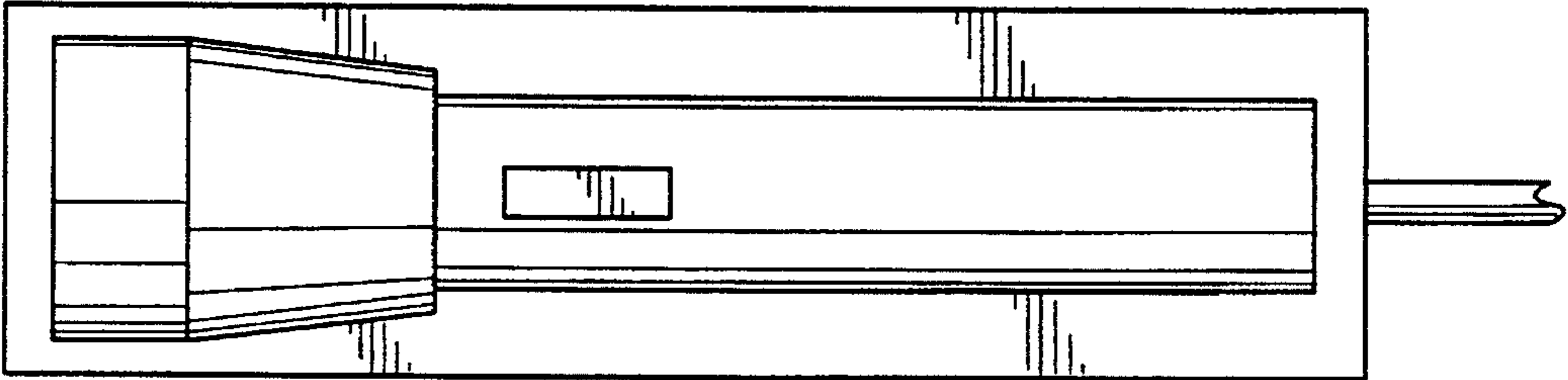


FIG. 2

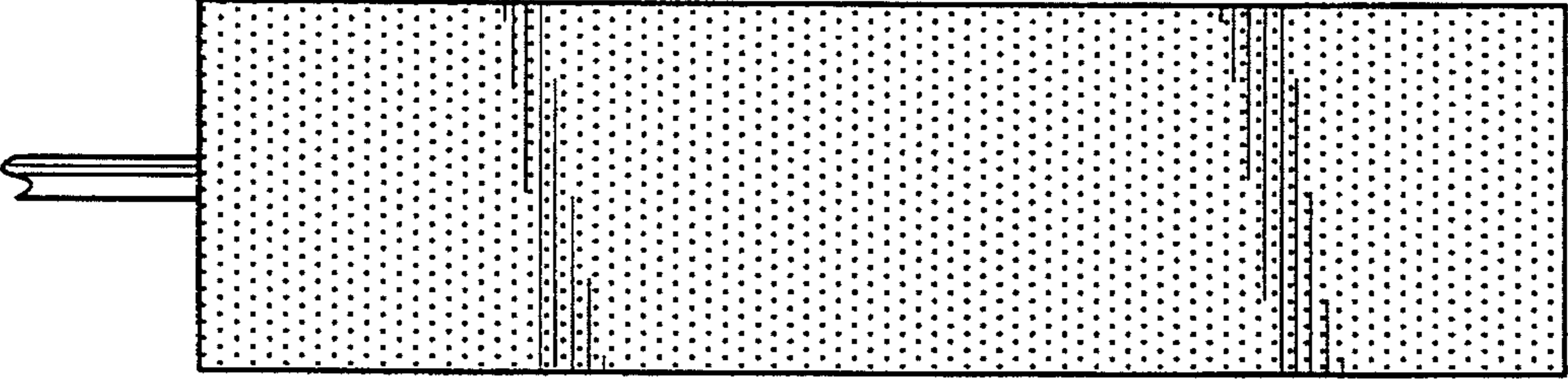


FIG. 3

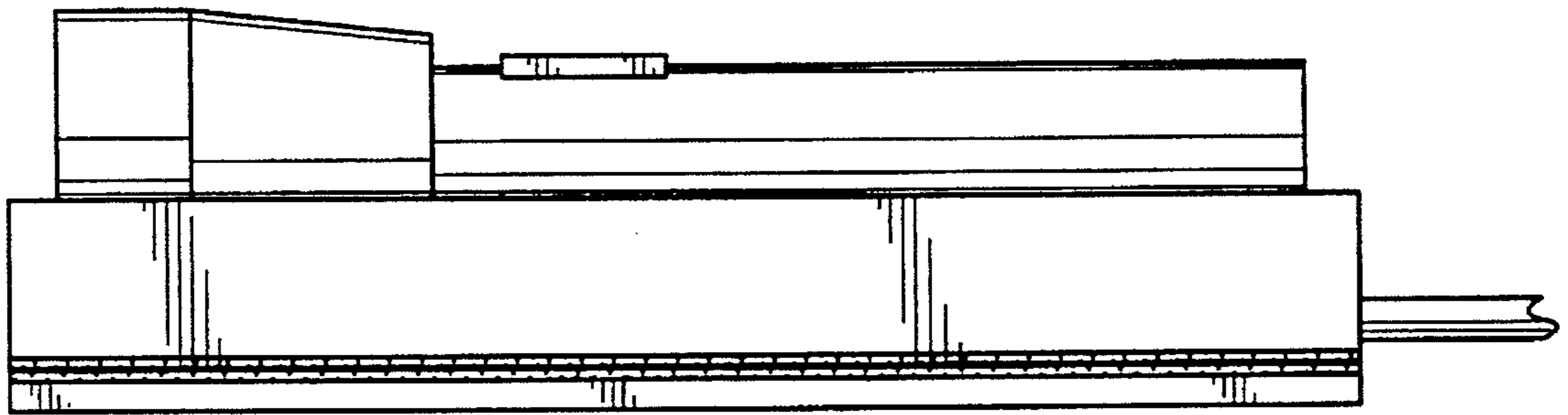


FIG. 4

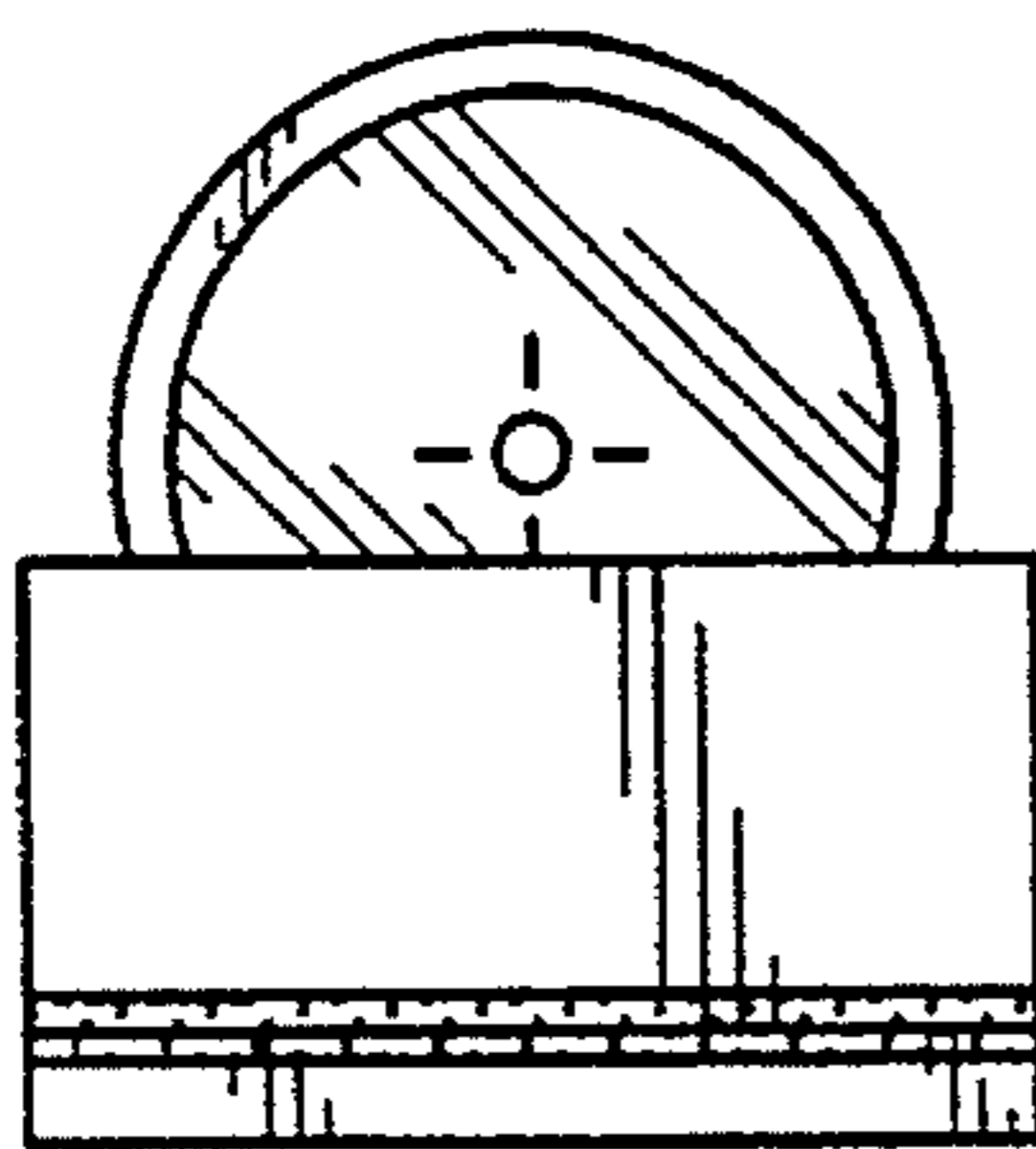


FIG. 5

FIG. 6

