



US00D377532S

# United States Patent [19]

[11] Patent Number: **Des. 377,532**

Lin

[45] Date of Patent: **\*\*Jan. 21, 1997**

[54] **BUILDING BLOCK**

3,324,619	6/1967	Gearhart .....	446/128
3,862,512	1/1975	Vogel .....	446/128
4,026,086	5/1977	Langley .....	52/592.6
4,182,072	1/1980	Much .....	446/112
4,965,979	10/1990	Larrivee et al. ....	52/592.6

[76] Inventor: **Kuo Y. Lin**, No. 43, Lane 14, Chung Shan N. Road, Sec. 7, Taipei, Taiwan

[\*\*] Term: **14 Years**

*Primary Examiner*—Raphael Barkai  
*Attorney, Agent, or Firm*—Pro-Techt International

[21] Appl. No.: **46,102**

[57] **CLAIM**

[22] Filed: **Nov. 7, 1995**

The ornamental design for a building block, as shown.

[52] **U.S. Cl.** ..... **D25/113**; D21/108

[58] **Field of Search** ..... D21/108; D25/113-117;  
446/111, 112, 114-116, 120, 124-126,  
128; 52/592.6, 591.3, 592.5, 714

**DESCRIPTION**

FIG. 1 is a perspective view of a building block showing my new design;

FIG. 2 is a front elevational view of the design;

FIG. 3 is a rear elevational view of the design;

FIG. 4 is a left side elevational view of the design;

FIG. 5 is a right side elevational view of the design;

FIG. 6 is a top plan view of the design; and,

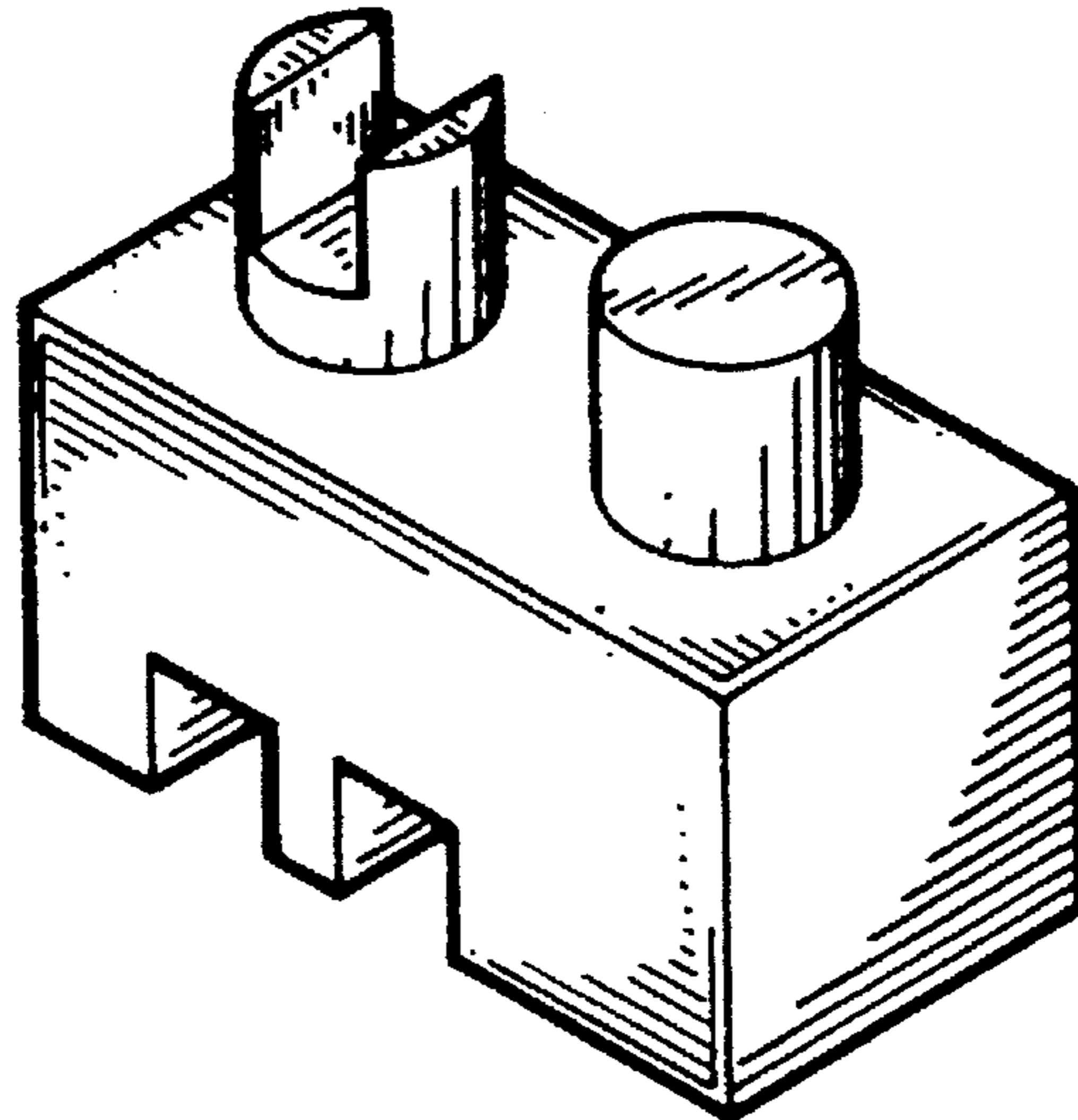
FIG. 7 is a bottom plan view of the design.

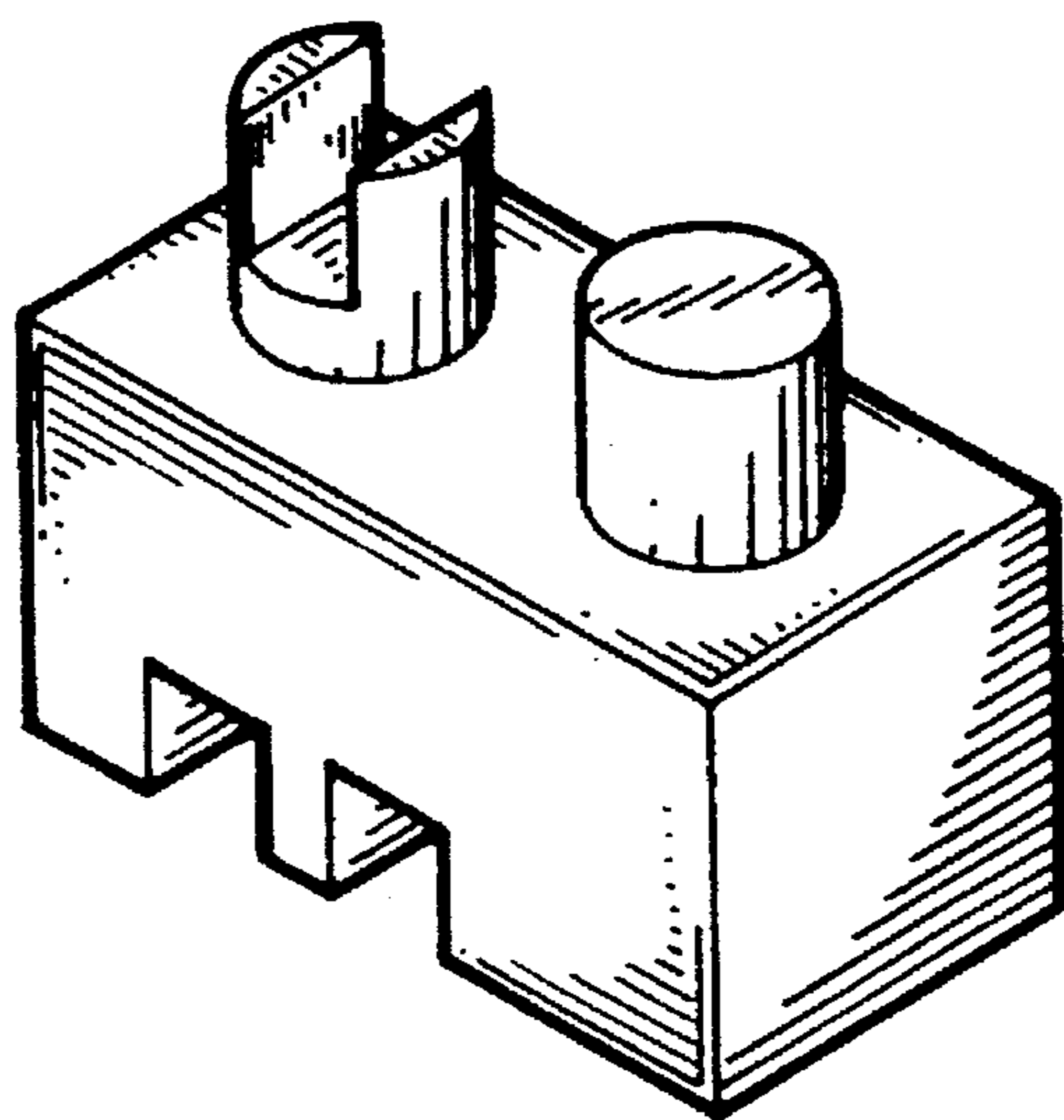
[56] **References Cited**

**U.S. PATENT DOCUMENTS**

D. 329,066	9/1992	Jamros .....	D21/108
D. 341,781	11/1993	Sanyal .....	D9/337
D. 350,824	9/1994	Perrin, Jr. ....	D25/113
D. 357,037	4/1995	Glynn .....	D21/108
2,861,388	11/1958	Favaretto .....	446/124
3,284,946	11/1966	Christiansen .....	446/128

**1 Claim, 2 Drawing Sheets**





*FIG. 1*

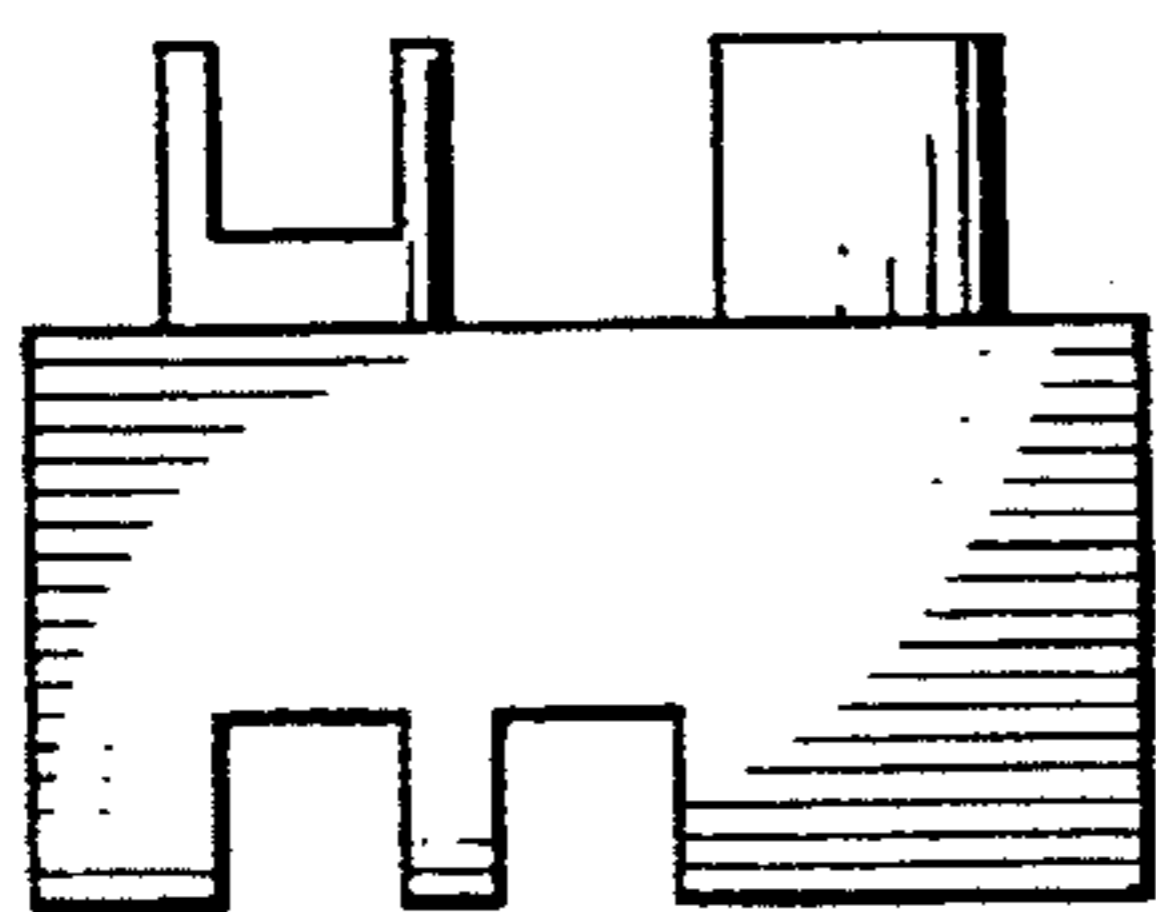


FIG. 2

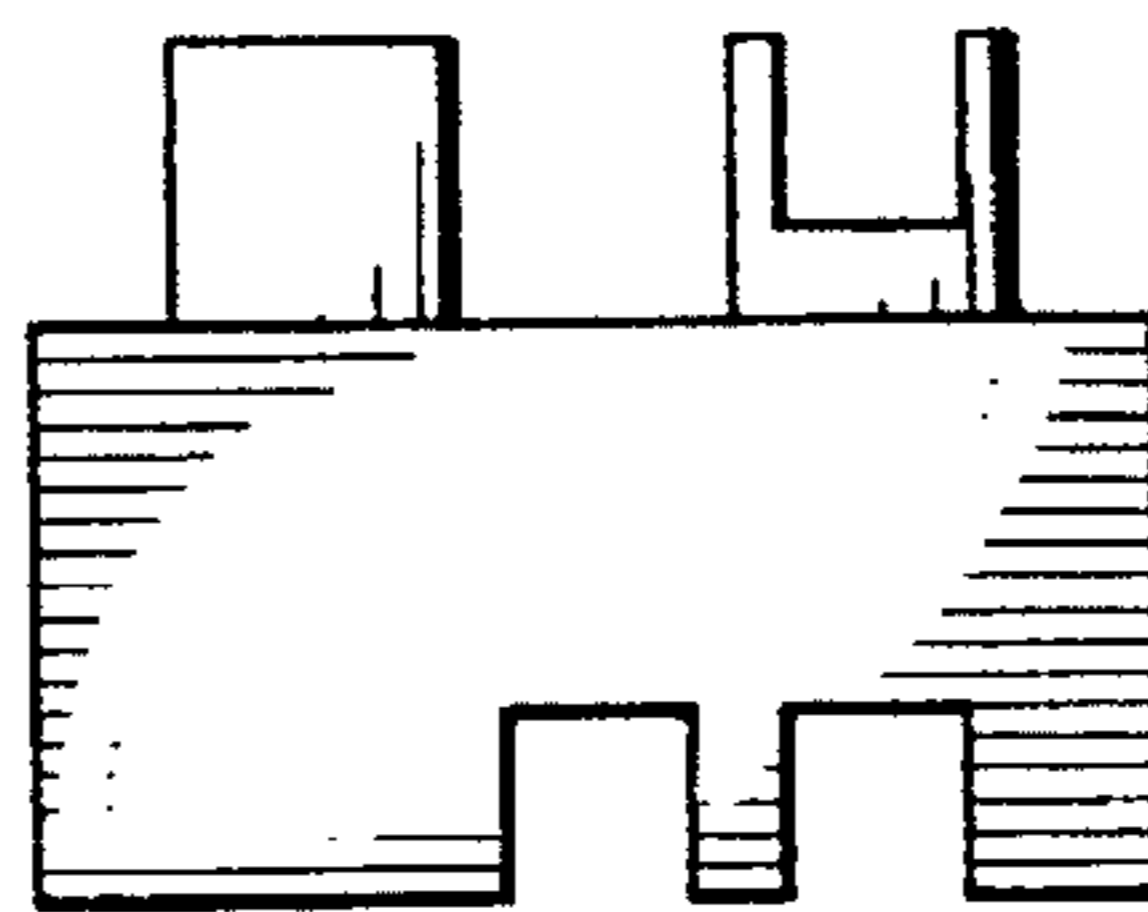


FIG. 3

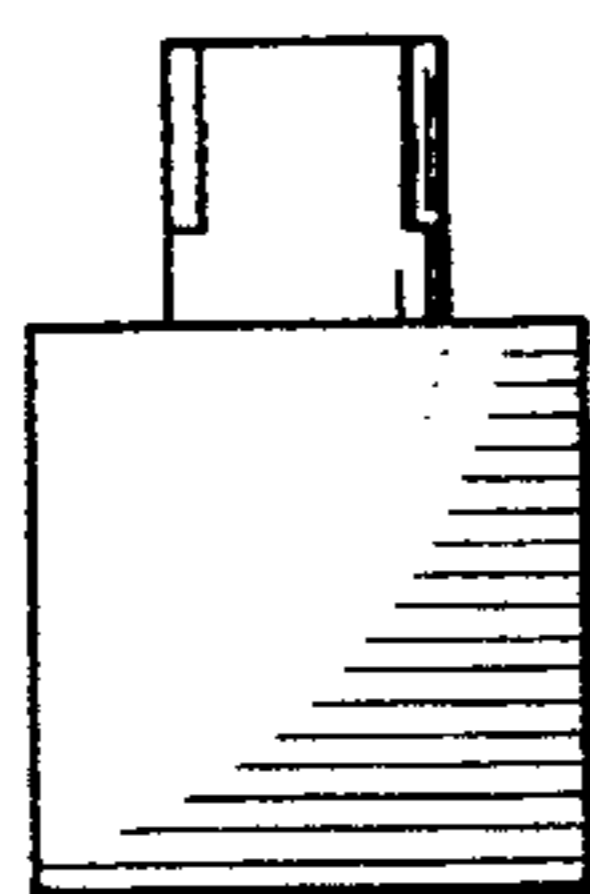


FIG. 4

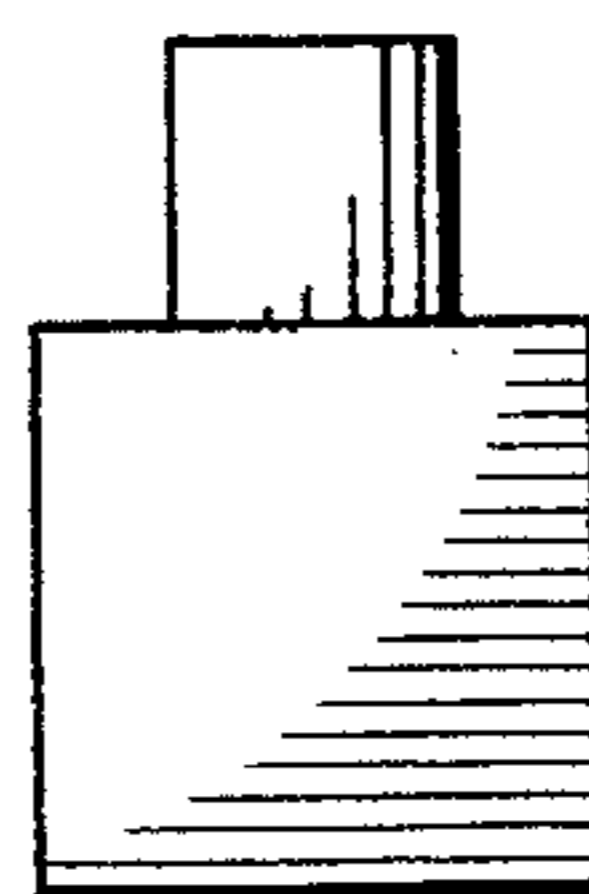


FIG. 5

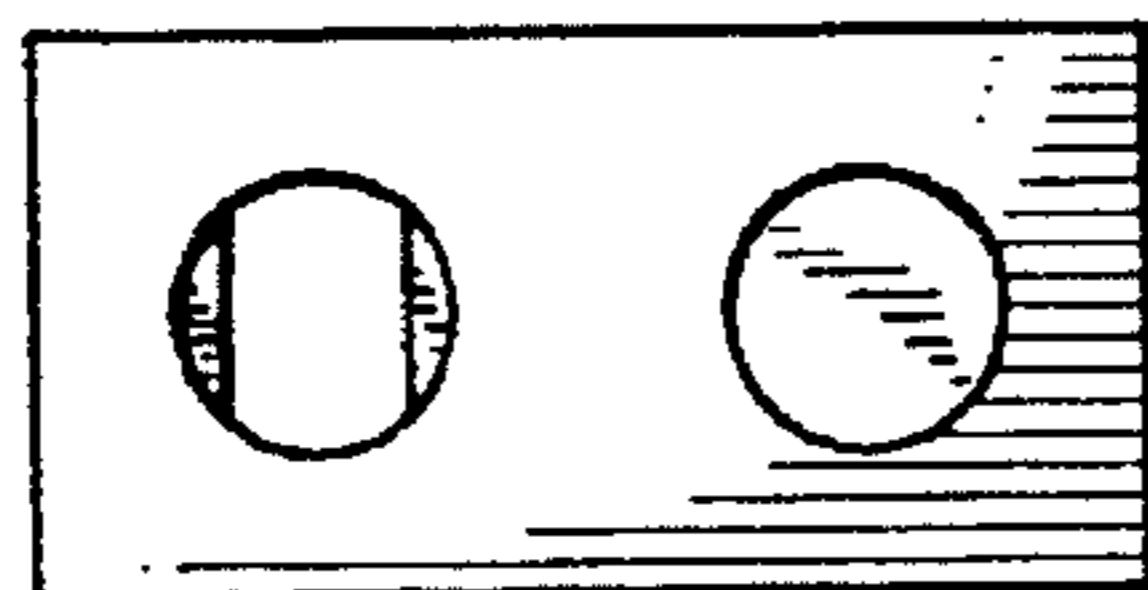


FIG. 6

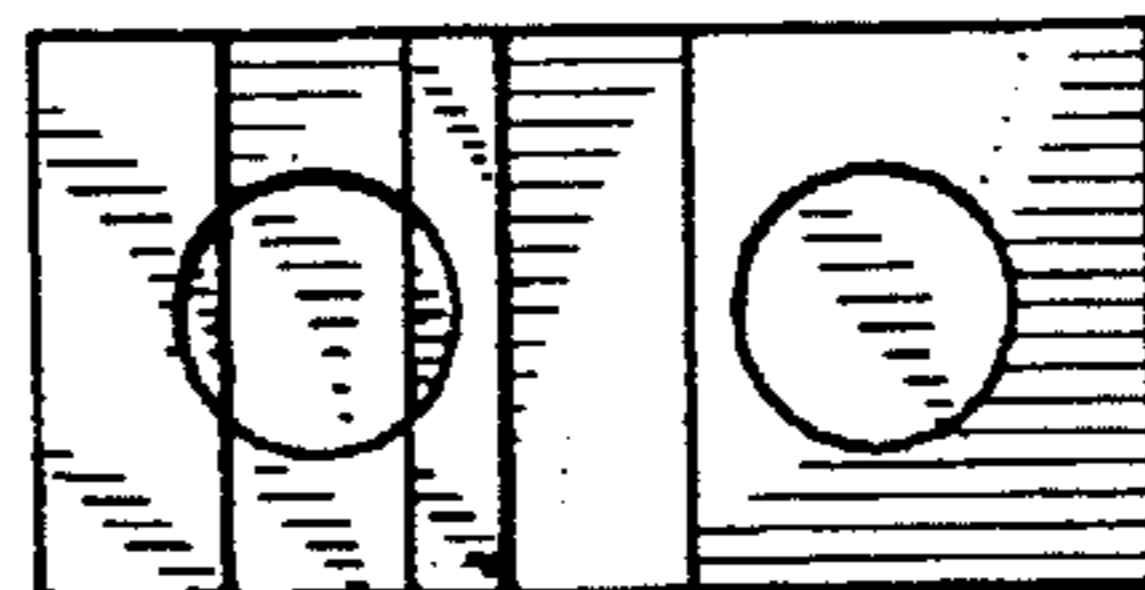


FIG. 7