



US00D377521S

# United States Patent [19]

Hillhouse, Jr.

[11] Patent Number: **Des. 377,521**

[45] Date of Patent: **\*\*Jan. 21, 1997**

[54] TOILET SEAT

[76] Inventor: **Danny E. Hillhouse, Jr.**, 1523-A Peachtree St., Jackson, Miss. 39202

[\*\*] Term: **14 Years**

[21] Appl. No.: **30,588**

[22] Filed: **Nov. 2, 1994**

[52] U.S. Cl. .... **D23/311**

[58] Field of Search ..... D23/295-299, D23/311; 4/234-241, 242.1, 246.1, 217

### [56] References Cited

#### U.S. PATENT DOCUMENTS

D. 338,951	8/1993	Witzis .....	D23/311
D. 352,773	11/1994	Holeschuk .....	D23/311
D. 360,257	7/1995	Hirschfield .....	D23/311
661,441	11/1900	Bush .....	4/234
2,100,826	11/1937	Wexelberg .....	4/234

Primary Examiner—Louis S. Zarfaz  
Assistant Examiner—Eric Watterson  
Attorney, Agent, or Firm—Chase & Yakimo

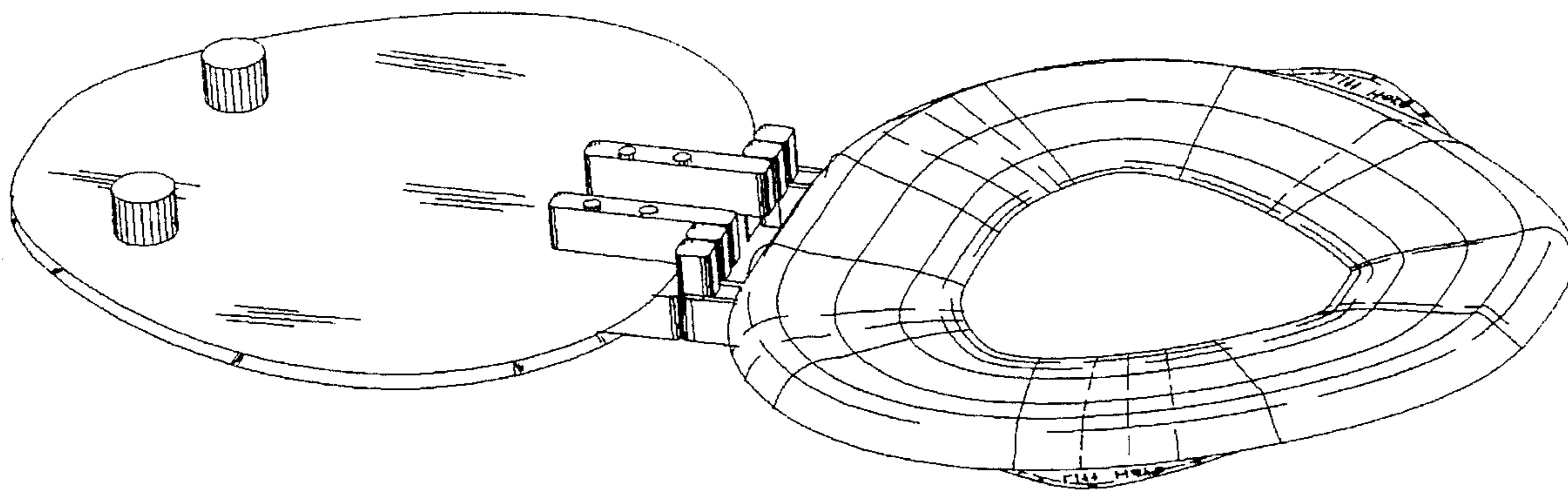
### [57] CLAIM

The ornamental design for a toilet seat, as shown and described.

### DESCRIPTION

FIG. 1 is a top view of the toilet seat showing my new design;  
FIG. 2 is a bottom view of the toilet seat showing my new design;  
FIG. 3 is a left side perspective view of the toilet seat showing my new design;  
FIG. 4 is a right side perspective view of the toilet seat showing my new design;  
FIG. 5 is an end view of the toilet seat showing my new design;  
FIG. 6 is an opposed end view of the toilet seat showing my new design;  
FIG. 7 is a side elevation view of the seat of FIG. 1; and, FIG. 8 is an opposed side elevation view of the seat of FIG. 7.

1 Claim, 7 Drawing Sheets



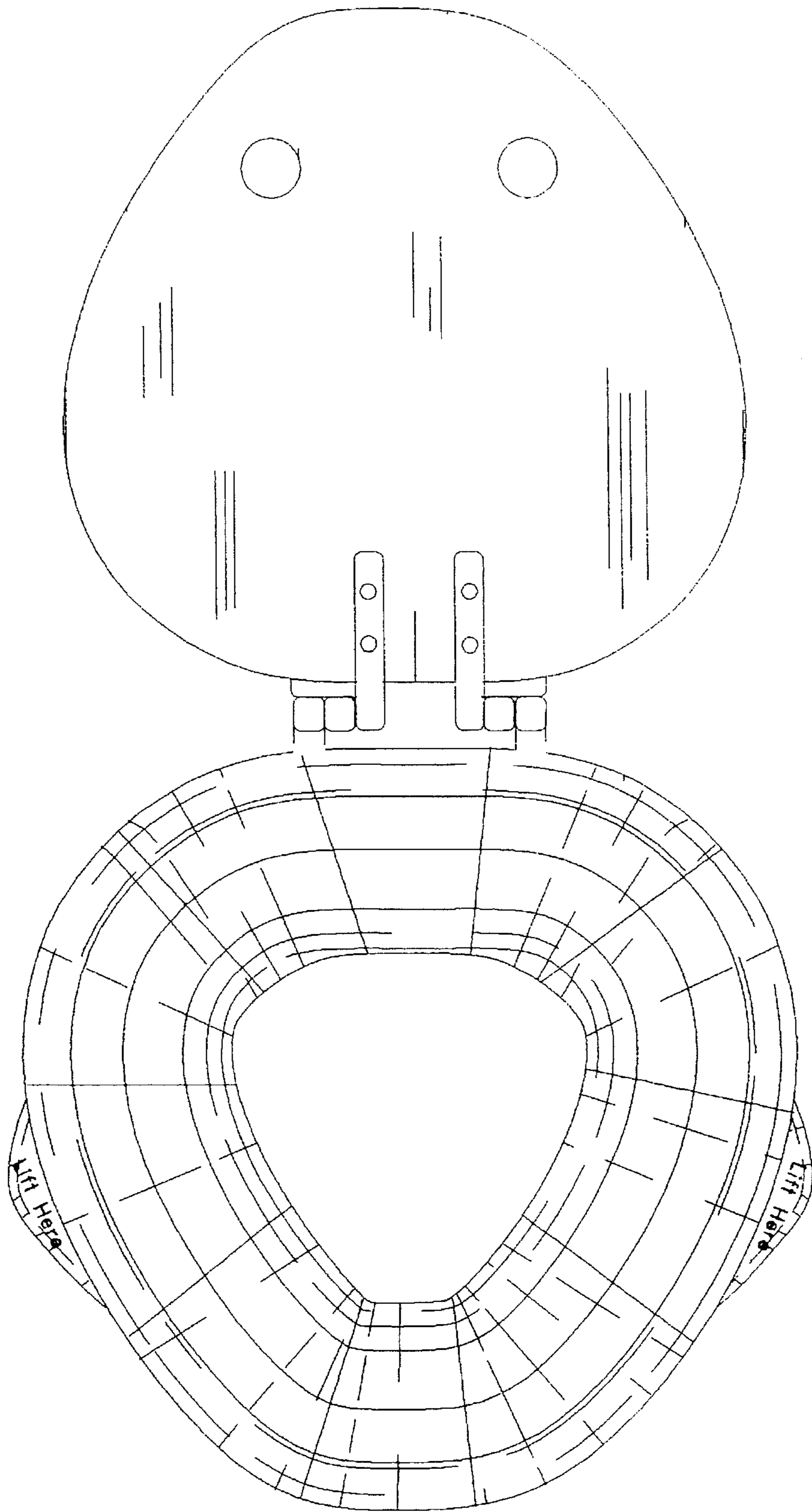


Fig. 1

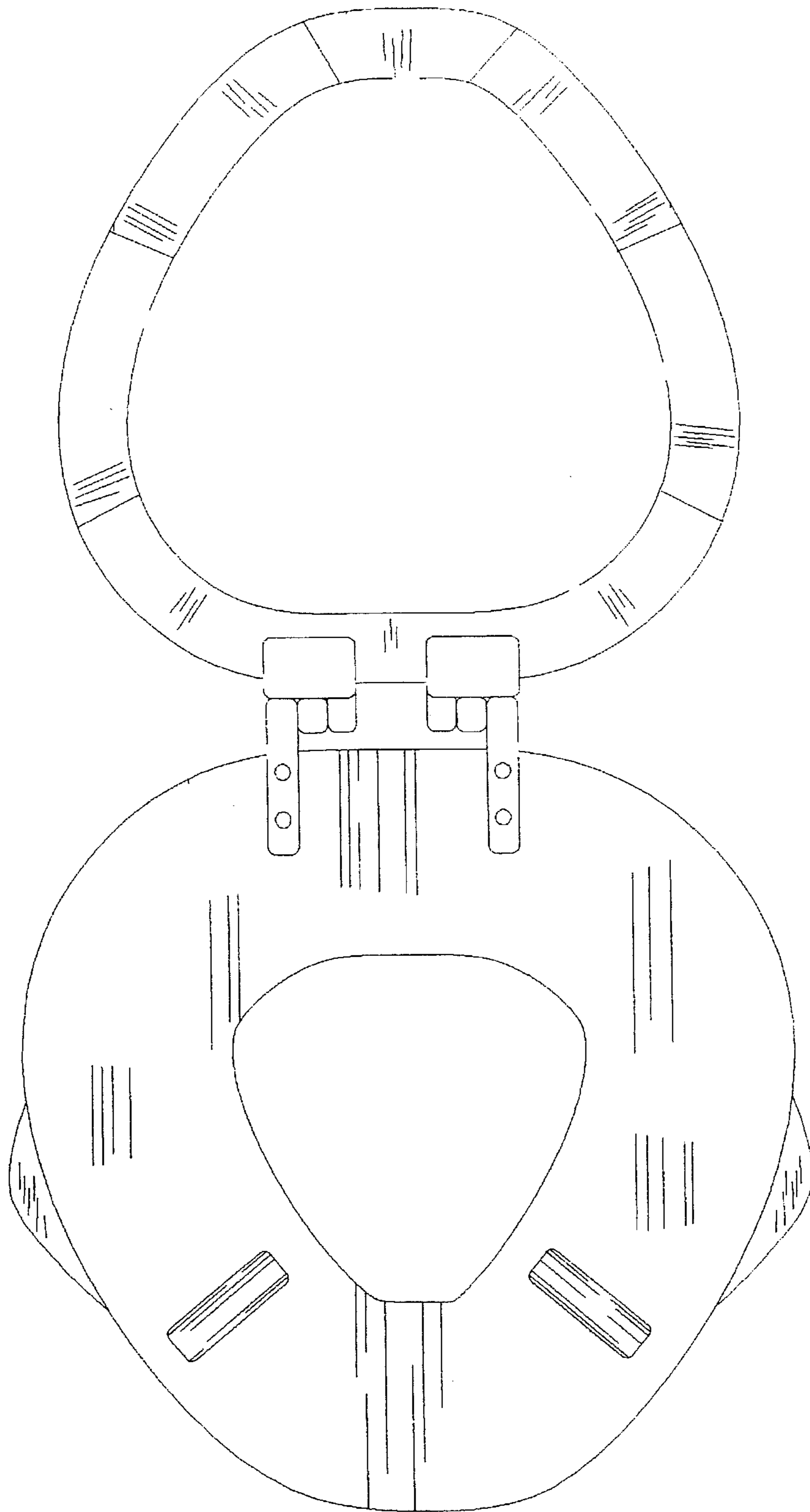


Fig. 2

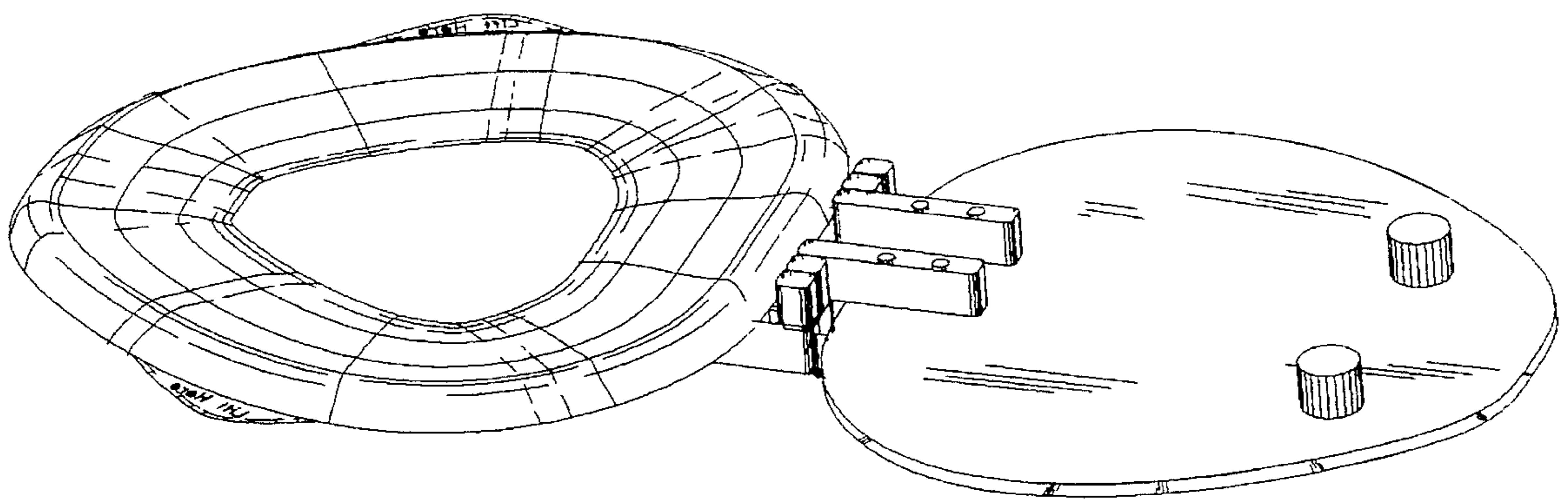


Fig. 3

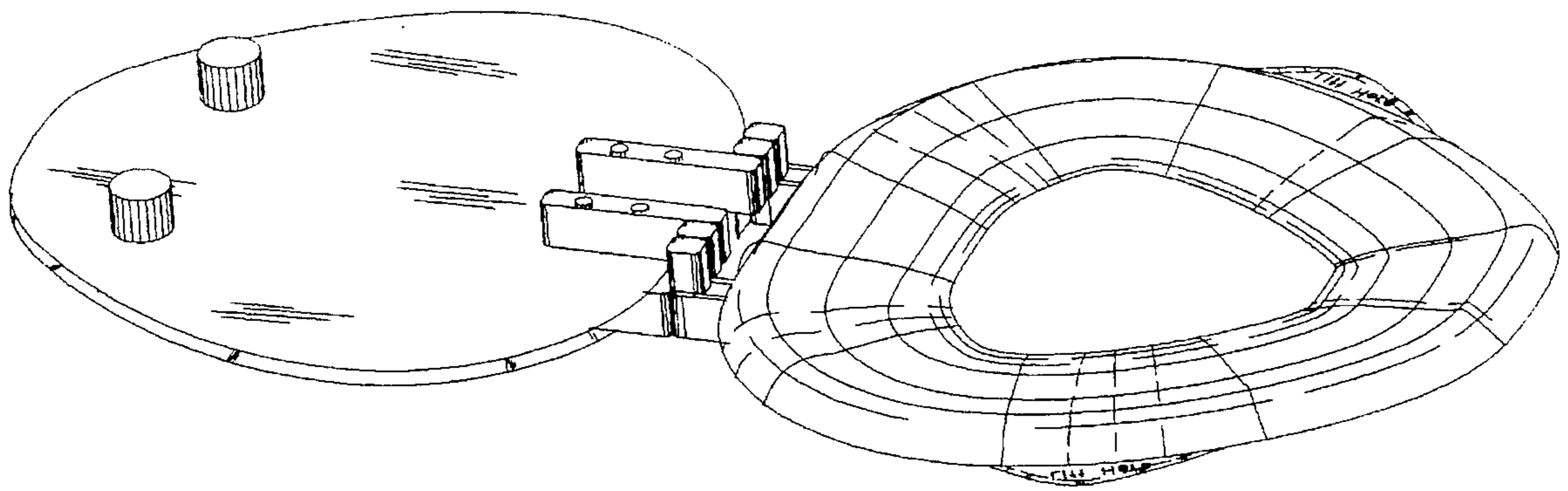


Fig. 4

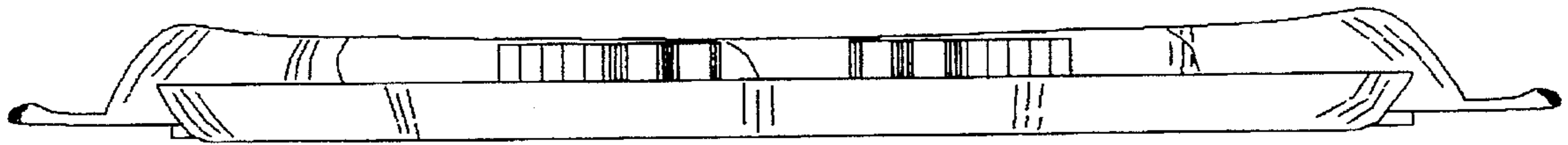


Fig. 6

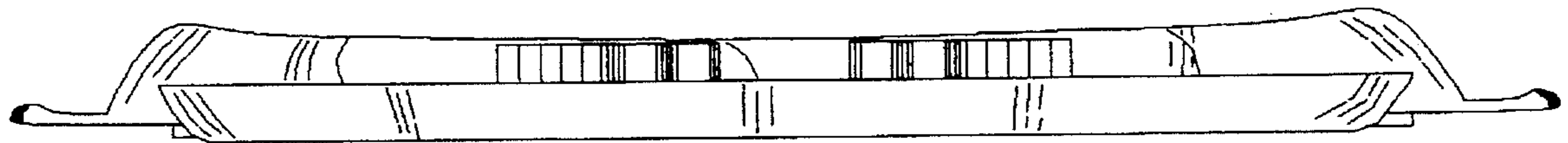


Fig. 6





Fig. 7

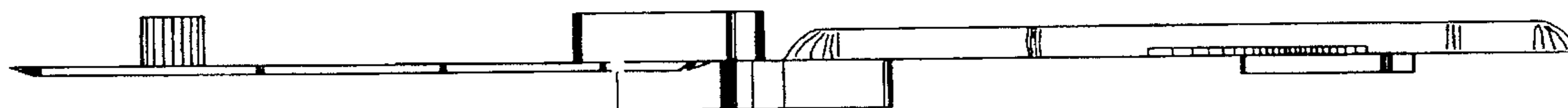


Fig. 8



UNITED STATES PATENT AND TRADEMARK OFFICE  
**CERTIFICATE OF CORRECTION**

PATENT NO. : Des. 377,521  
DATED : January 21, 1997  
INVENTOR(S) : Danny E. Hillhouse, Jr.

It is certified that error appears in the above-identified patent and that said Letters Patent is hereby corrected as shown below:

In the drawings, Sheet 5 of 7, delete Fig. 6 and substitute Fig. 5.

Signed and Sealed this  
Twenty-second Day of April, 1997



BRUCE LEHMAN

*Commissioner of Patents and Trademarks*

*Attest:*

*Attesting Officer*