



US00D377517S

United States Patent [19]

Doughty et al.

[11] Patent Number: **Des. 377,517**

[45] Date of Patent: ****Jan. 21, 1997**

[54] SPOUT

[75] Inventors: **Frederic C. Doughty**, S. Pasadena;
Darren M. Mark, Castaic, both of Calif.

[73] Assignee: **Emhart Inc.**, Newark, Del.

[**] Term: **14 Years**

[21] Appl. No.: **33,976**

[22] Filed: **Jan. 25, 1995**

[52] U.S. Cl. **D23/255**

[58] Field of Search D23/238-243,
D23/255-257; 4/675-678; 137/801

[56] **References Cited**

U.S. PATENT DOCUMENTS

- D. 276,259 11/1984 Miller .
- D. 280,010 8/1985 Miller et al. .
- D. 287,747 1/1987 Miller et al. .
- D. 288,835 3/1987 Yost .
- D. 295,550 5/1988 Yost .
- D. 295,551 5/1988 Yost .
- D. 314,813 2/1991 Jans .
- D. 318,906 8/1991 Spangler .
- D. 320,645 10/1991 Knapp et al. .
- D. 321,750 11/1991 Spangler .
- D. 327,944 7/1992 Stairs et al. .

- D. 328,782 8/1992 Paterson .
- D. 350,390 9/1994 Bollenbacher .
- D. 352,095 11/1994 Bollenbacher .

OTHER PUBLICATIONS

Sweet's Catalog File, 1990.

Primary Examiner—Stella Reid

Assistant Examiner—Eric Watterson

Attorney, Agent, or Firm—J. Bruce Hoofnagle

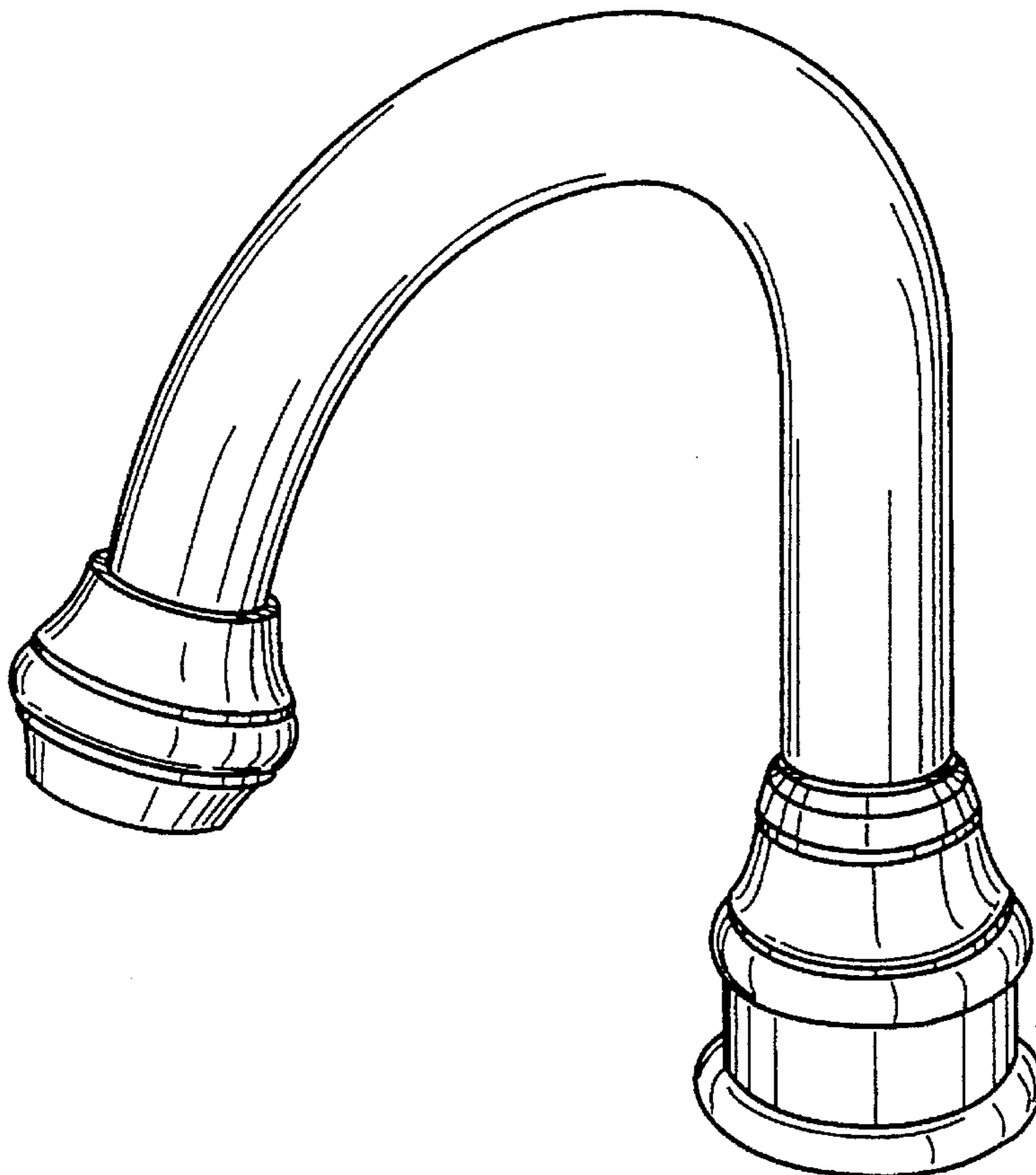
[57] **CLAIM**

The ornamental design for spout, as shown and described.

DESCRIPTION

FIG. 1 is a front view of a first embodiment of our new design of a spout;
 FIG. 2 is a rear view of the first embodiment of or new design of the spout;
 FIG. 3 is a top view of the first embodiment of our new design of the spout;
 FIG. 4 is a bottom view of the first embodiment of our new design of the spout;
 FIG. 5 is a left side view of the first embodiment of our new design of the spout, a right side view thereof being a mirror image of the left side view; and,
 FIG. 6 is a perspective view of the first embodiment of our new design of the spout.

1 Claim, 3 Drawing Sheets



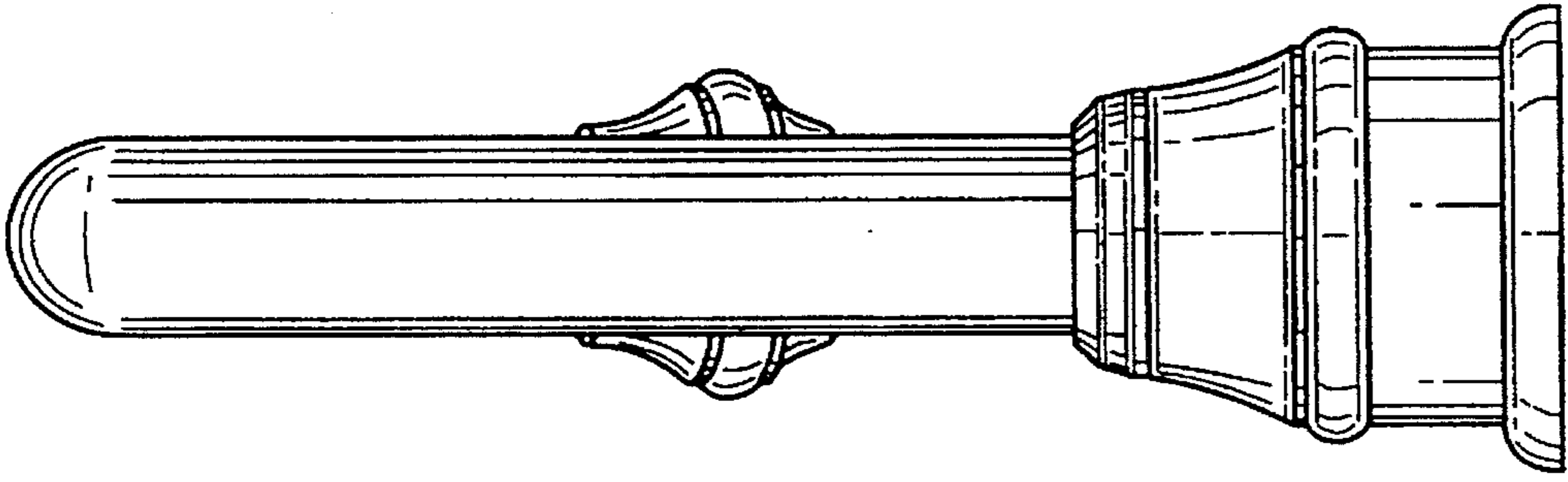


Fig. 2

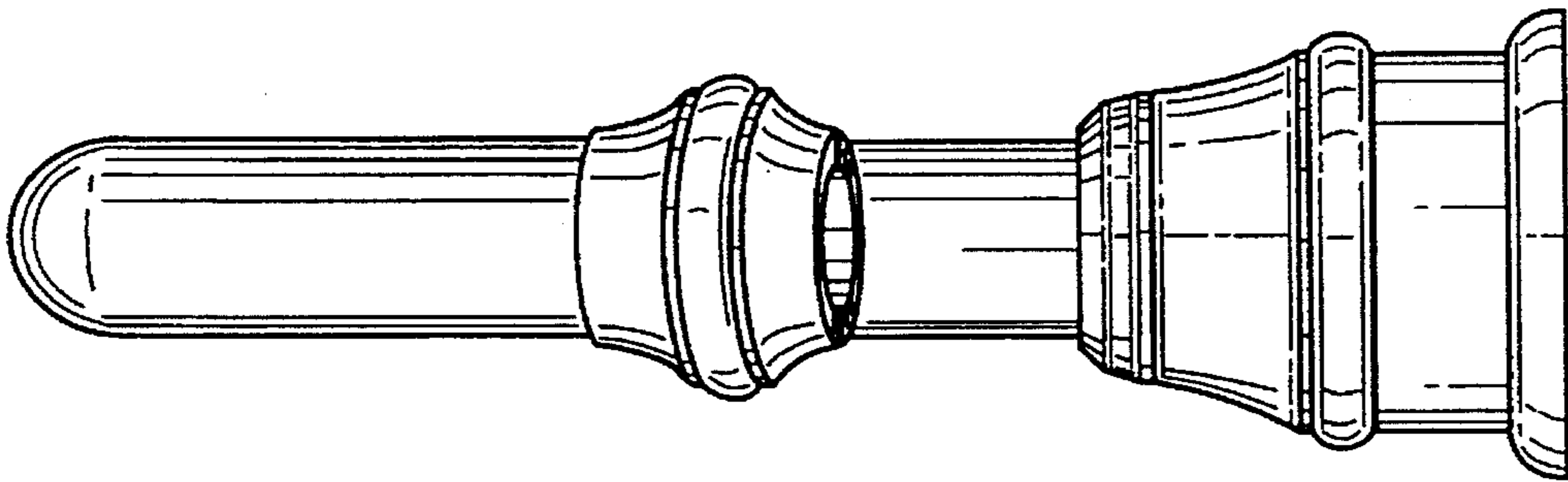


Fig. 1

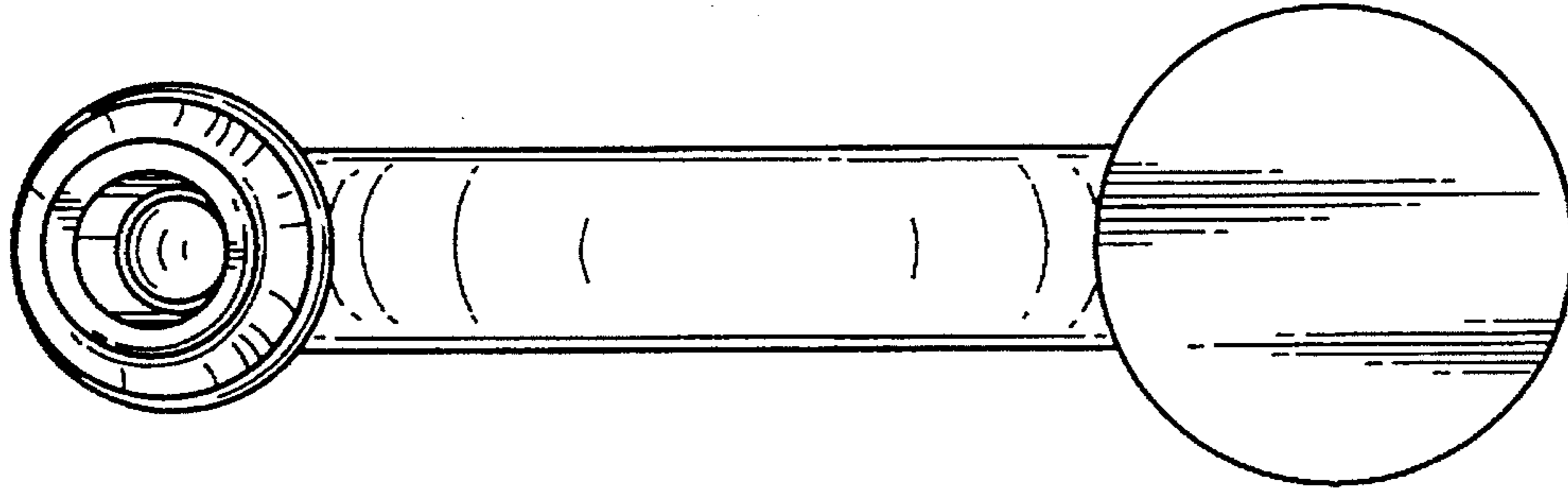


Fig. 4

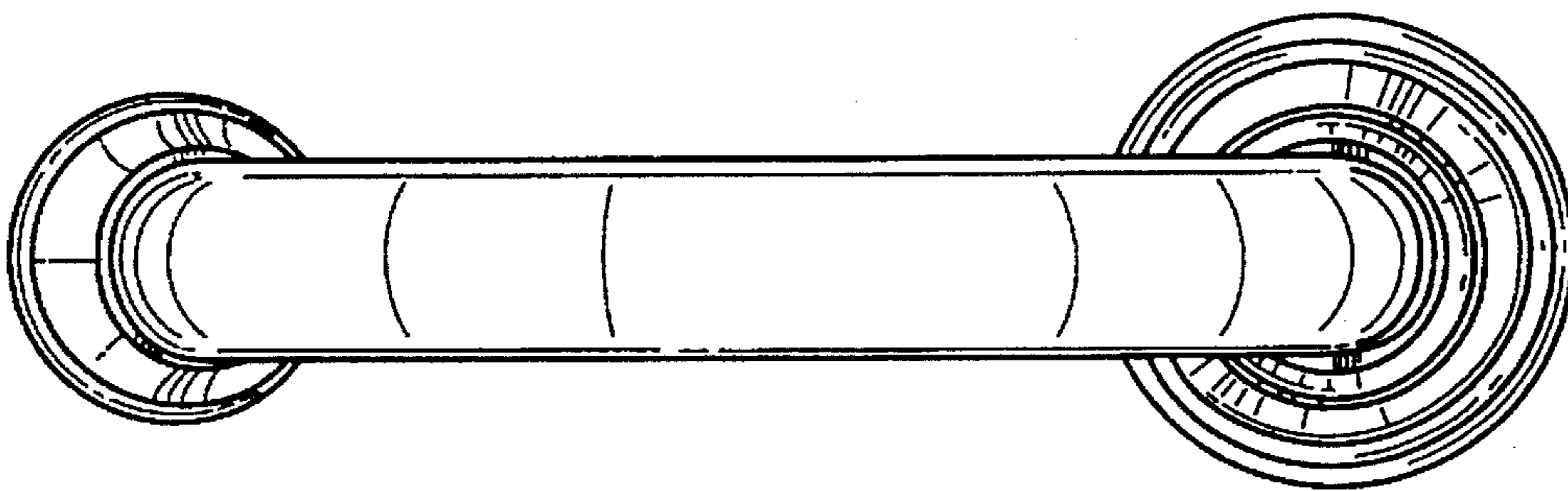


Fig. 3

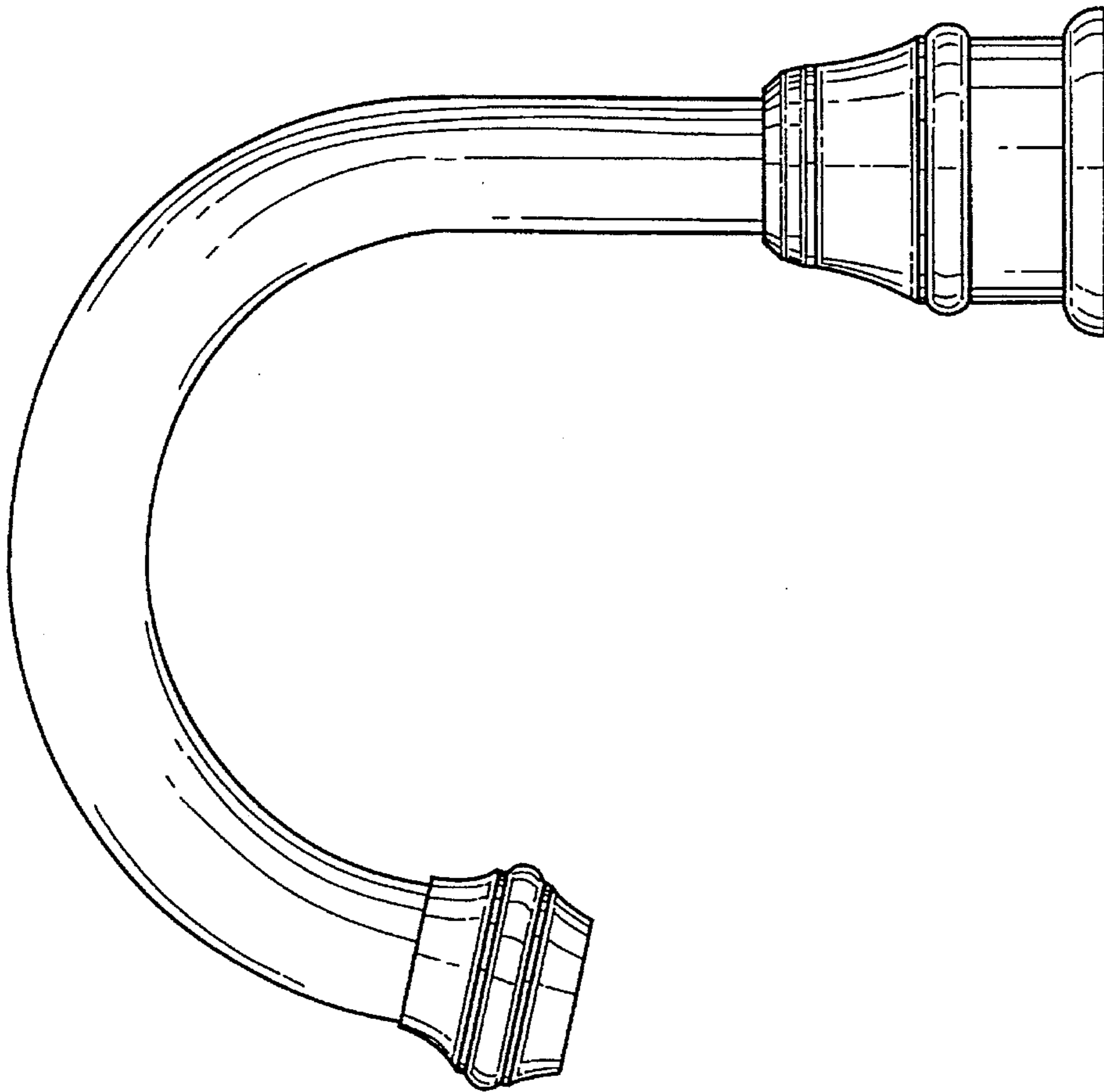


Fig. 5

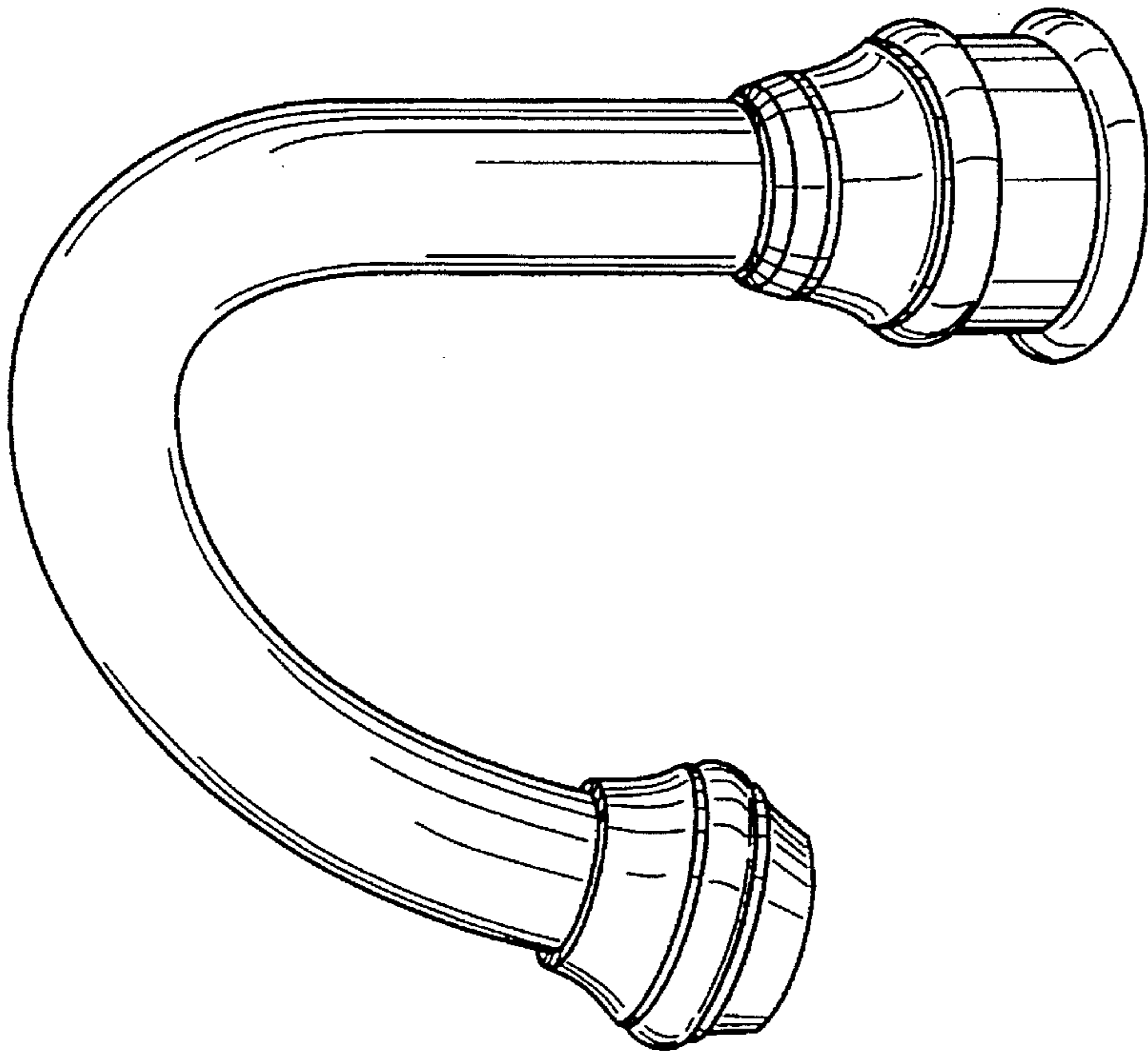


Fig. 6