



US00D377514S

United States Patent [19]

[11] Patent Number: **Des. 377,514**

Rogers

[45] Date of Patent: ****Jan. 21, 1997**

[54] **REMOTE CONTROLLED FISHING LURE CARRIER**

4,545,315	10/1985	Becherer	43/1	X
5,165,193	11/1992	Dankwardt	43/26.1	
5,293,712	3/1994	Lo	43/26.1	
5,361,530	11/1994	Kashani et al.	43/26.1	

[76] Inventor: **Gary W. Rogers**, Pleasant St., P.O. Box 706, Livingston Manor, N.Y. 12758

Primary Examiner—Doris V. Coles
Attorney, Agent, or Firm—Harold H. Dutton, Jr.; W. Charles L. Jamison; Diane F. Liebman

[**] Term: **14 Years**

[21] Appl. No.: **36,946**

[57] **CLAIM**

[22] Filed: **Mar. 31, 1995**

The ornamental design for a remote controlled fishing lure carrier, as shown.

[52] U.S. Cl. **D22/134**

[58] Field of Search D22/132, 134, D22/126; D21/131; 43/26.1, 26.2, 1, 4; D12/1, 12; D2/7; 36/132; 114/61, 144 R

DESCRIPTION

[56] **References Cited**

FIG. 1 is a perspective view of a remote controlled fishing lure carrier showing my new design; FIG. 2 is a right side view thereof; FIG. 3 is a left side view thereof; FIG. 4 is a top view thereof; FIG. 5 is a bottom view thereof; FIG. 6 is a front view thereof; and, FIG. 7 is a rear view thereof.

U.S. PATENT DOCUMENTS

D. 169,229	3/1953	Tober	D21/131	X
D. 191,793	11/1961	Alvaney	D21/131	
2,803,914	8/1957	Ellis	43/26.1	
3,088,240	5/1963	Beilsten et al.	43/26.2	
3,793,761	2/1974	Bonham	43/26.1	
4,413,842	11/1983	Loredo	36/132	X

1 Claim, 4 Drawing Sheets

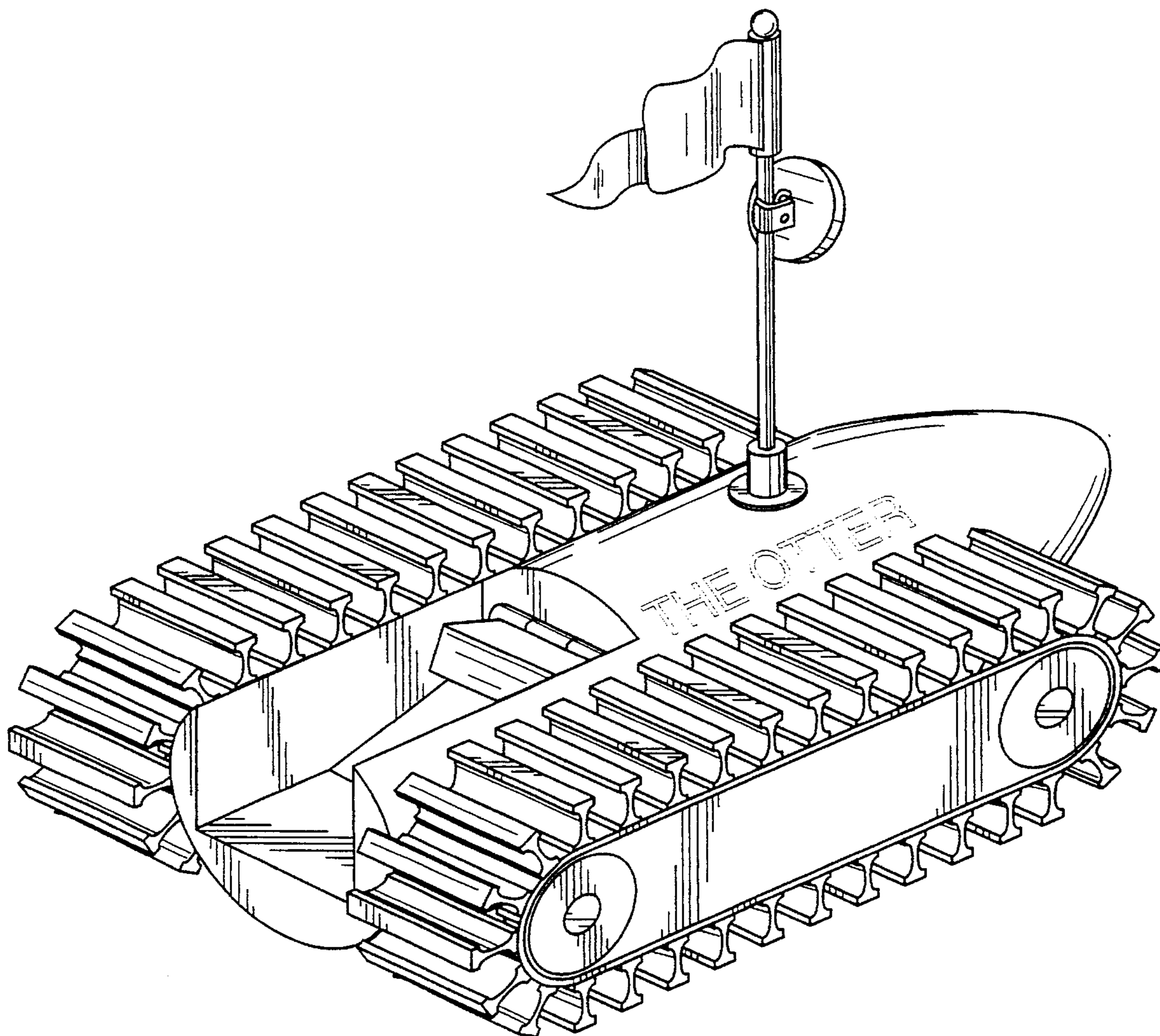
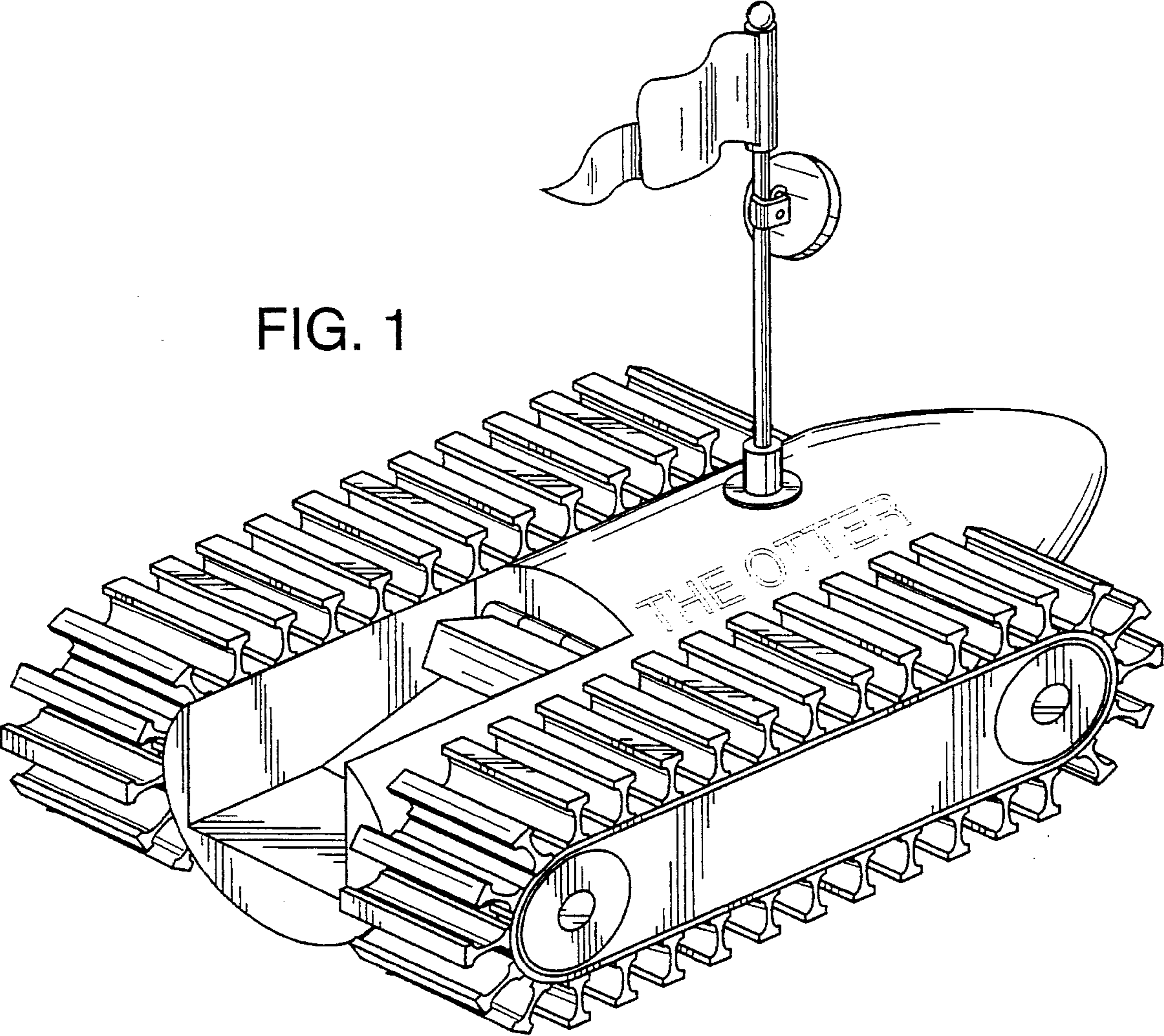


FIG. 1



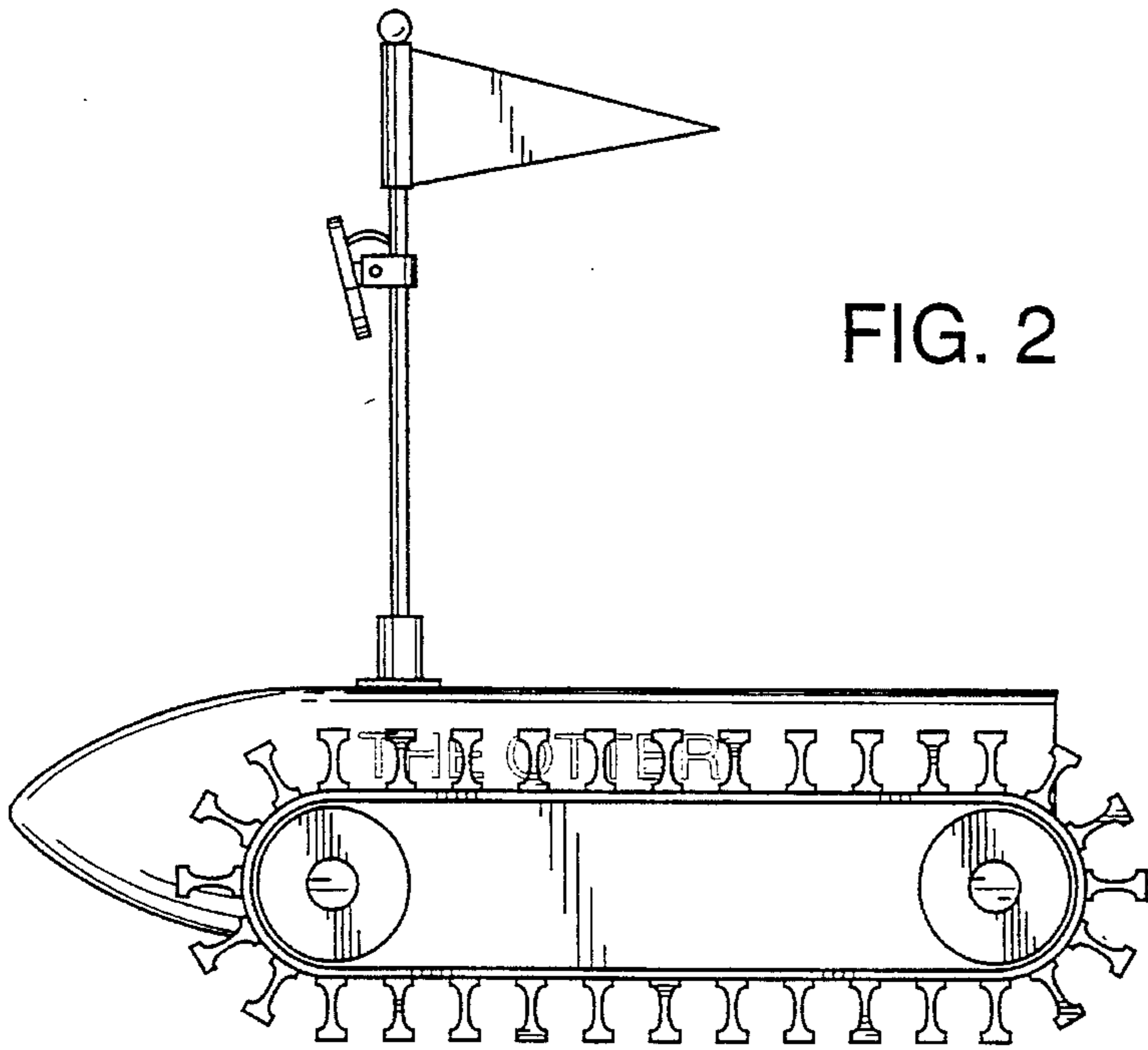


FIG. 2

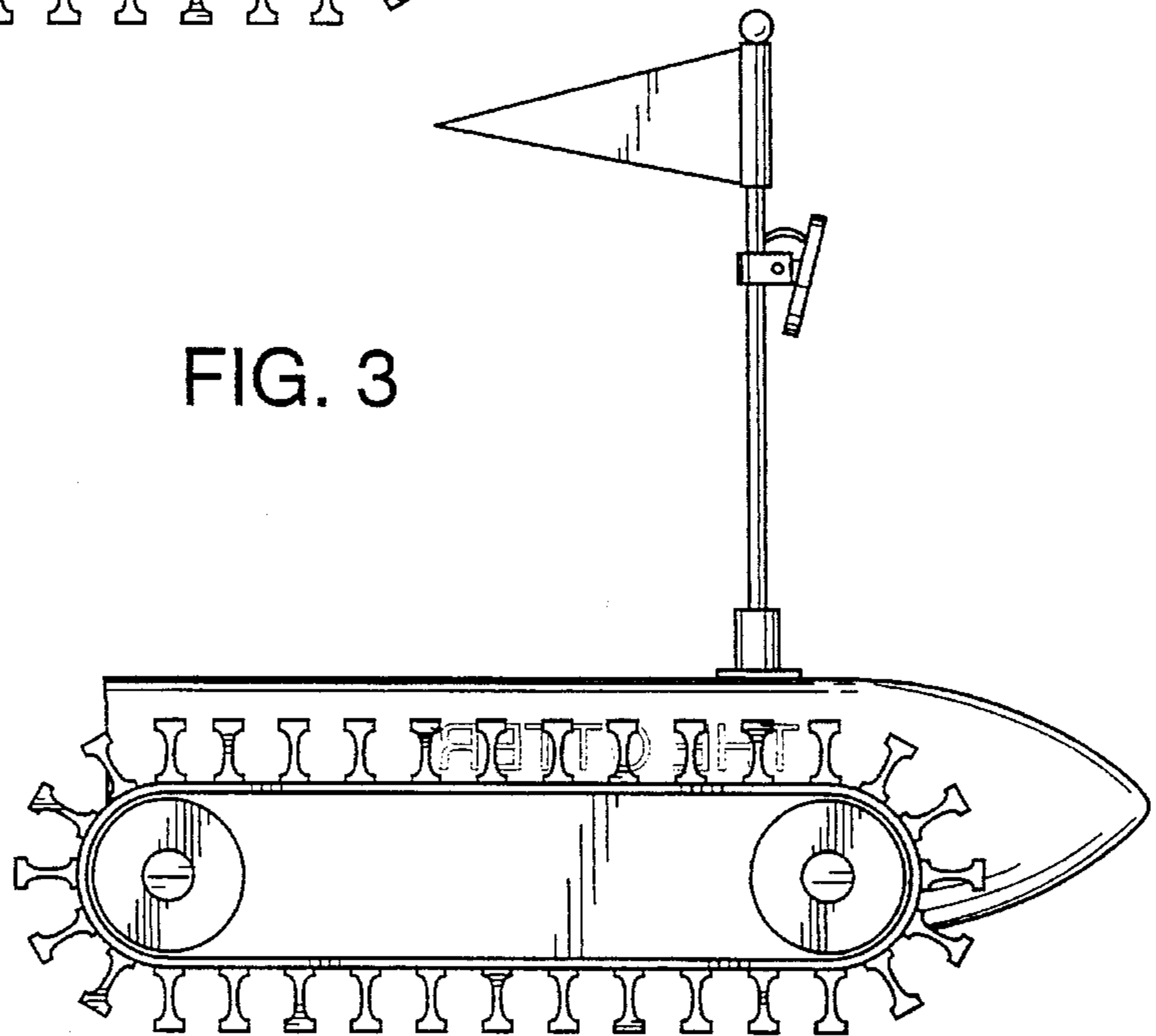


FIG. 3

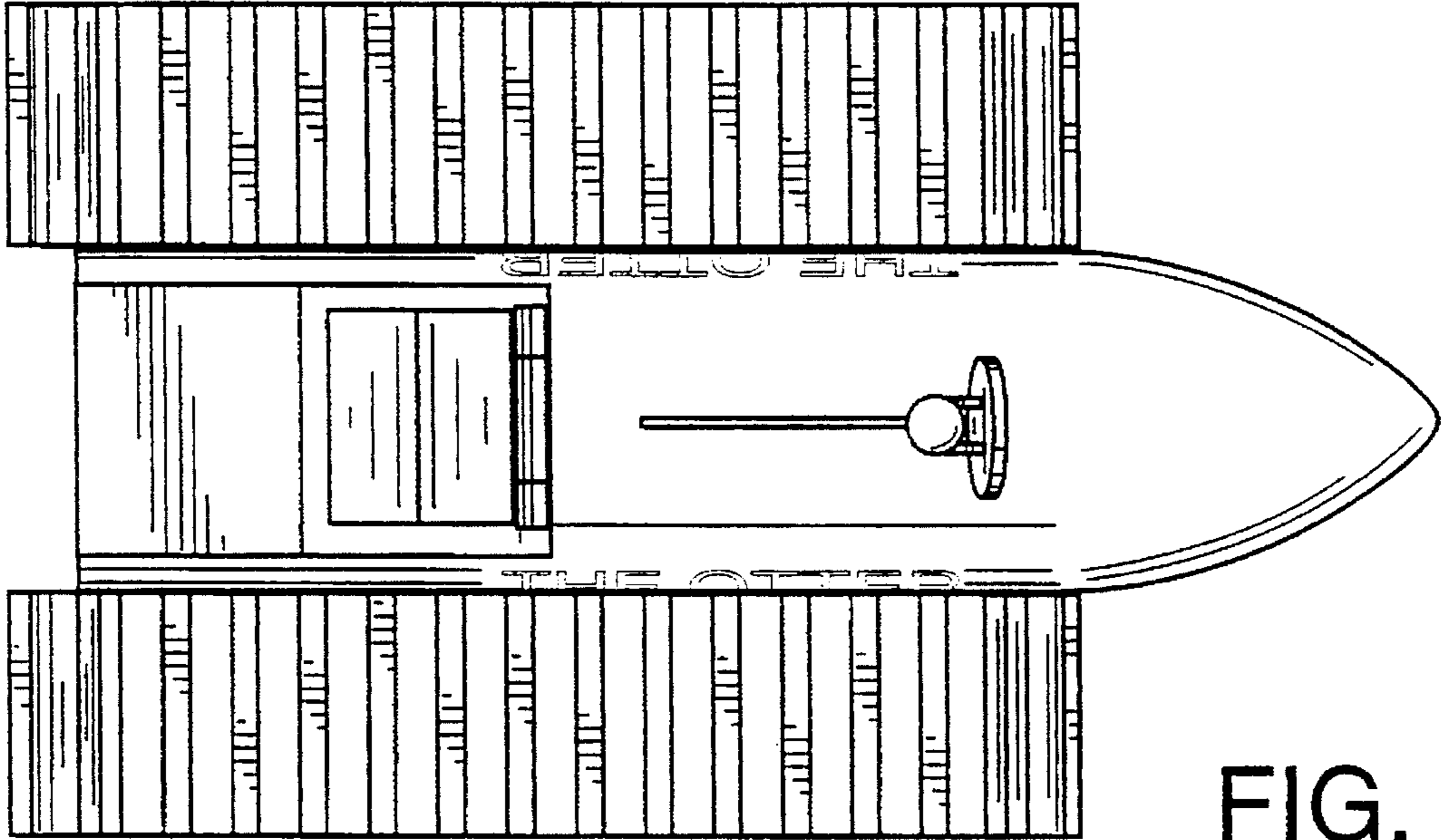
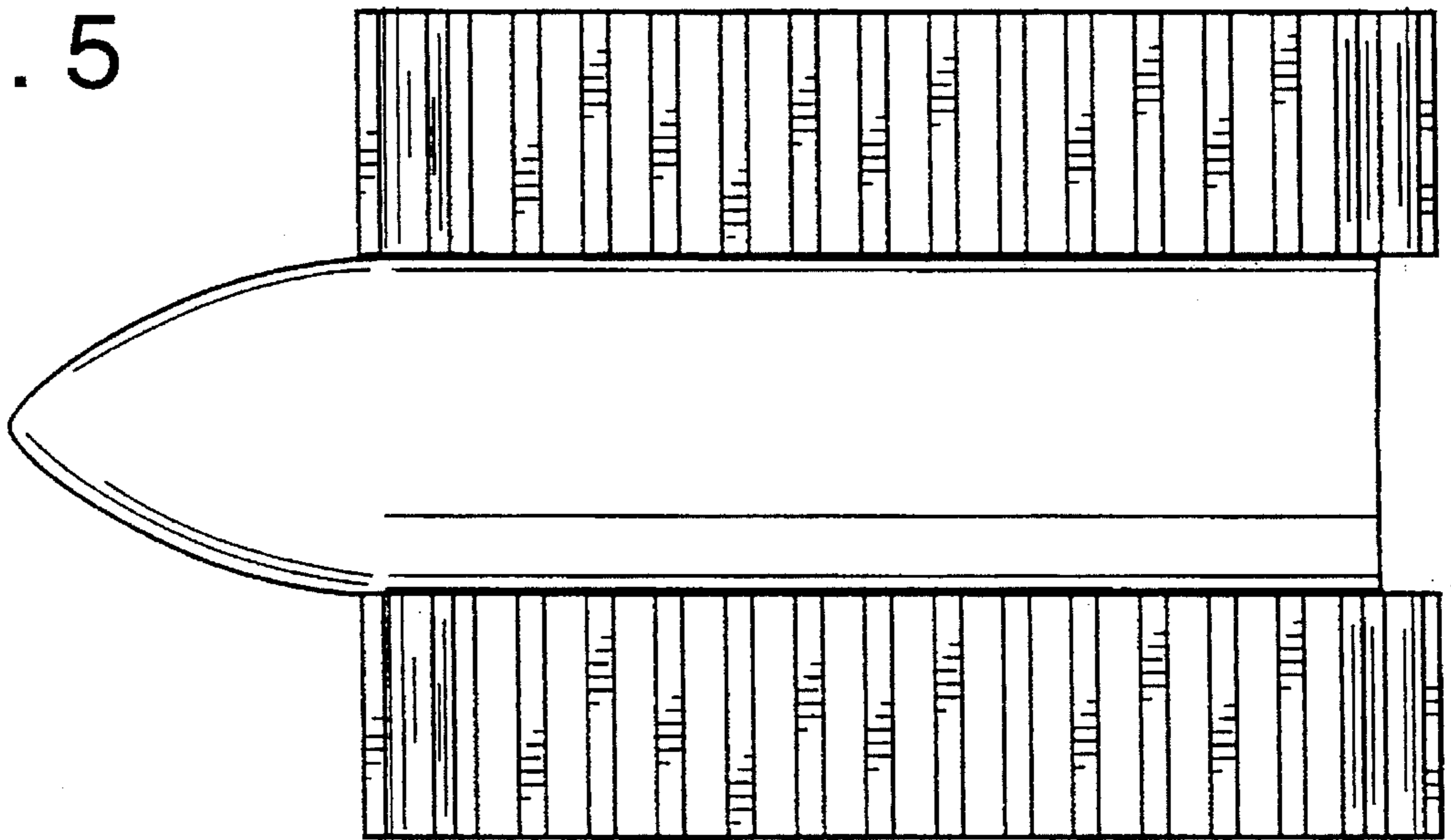


FIG. 4

FIG. 5



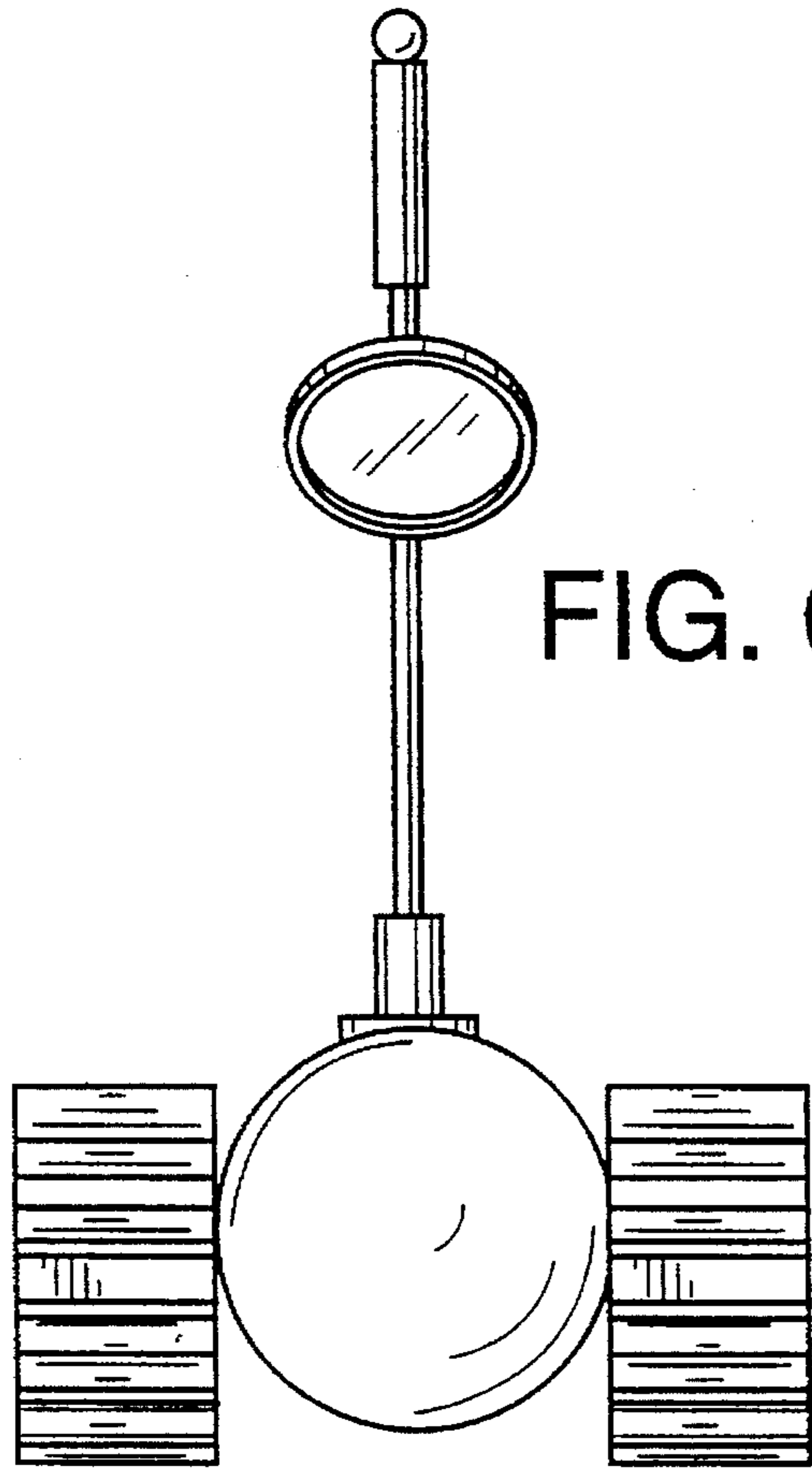


FIG. 6

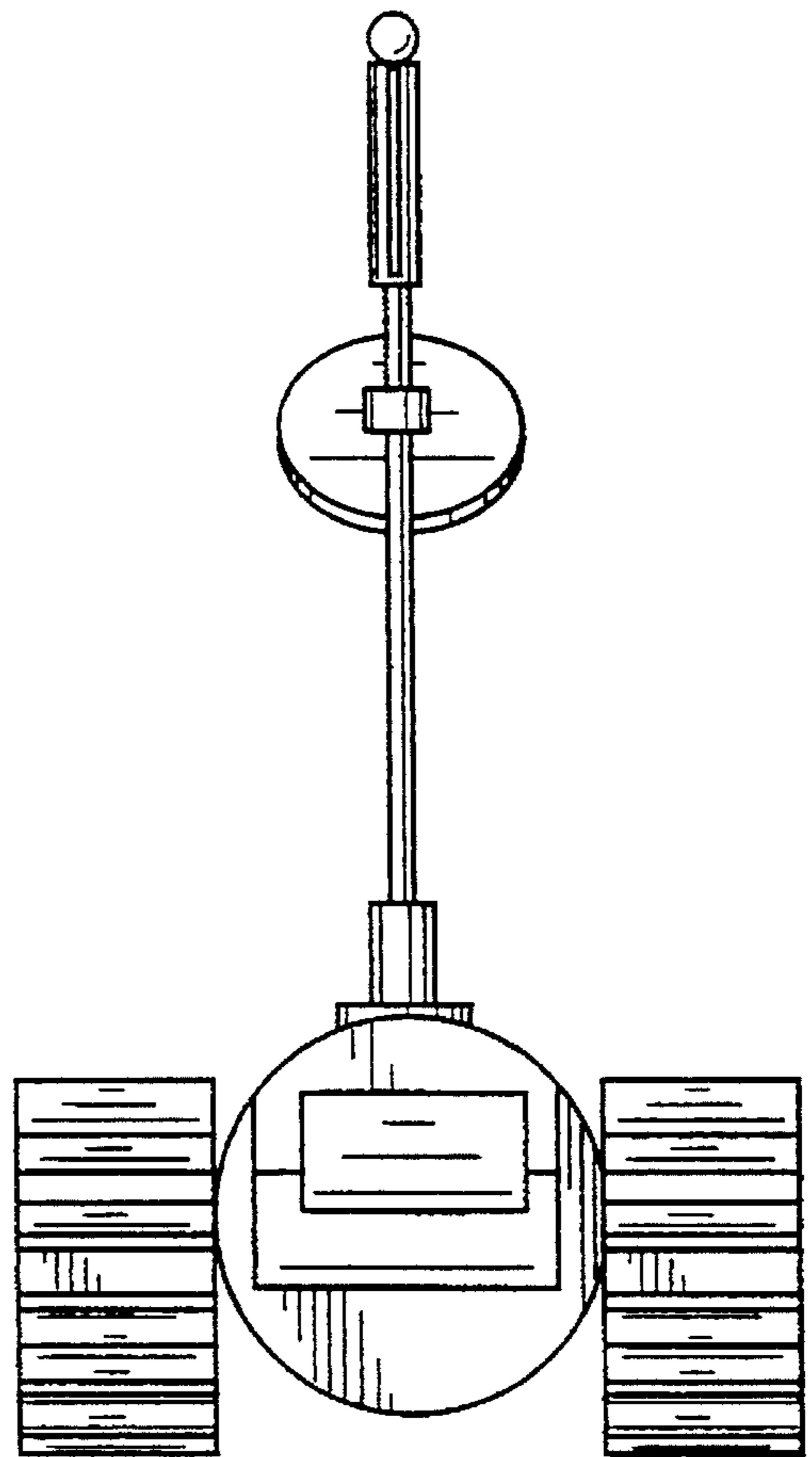


FIG. 7