



US00D377513S

United States Patent [19]

Lenkarski et al.

[11] Patent Number: **Des. 377,513**

[45] Date of Patent: ****Jan. 21, 1997**

[54] **HANDGUN**

[75] Inventors: **Lee M. Lenkarski**, Ware, Mass.; **Philip H. Stevens**, Skaneateles, N.Y.

[73] Assignee: **Smith & Wesson Corp.**, Springfield, Mass.

[**] Term: **14 Years**

[21] Appl. No.: **38,947**

[22] Filed: **May 17, 1995**

[52] U.S. Cl. **D22/104**; D22/100

[58] Field of Search D22/100, 104, D22/105, 108, 109, 149; D21/145, 146, 147; 33/233; 42/1.14, 7, 70.01, 70.11, 71.02, 87; 89/195, 196

[56] **References Cited**

U.S. PATENT DOCUMENTS

D. 359,788 6/1995 Ruger et al. D22/104
1,070,582 8/1913 Browning 42/70.01 X

1,399,224 12/1921 Ortgies 42/7
2,921,503 1/1960 Browning 89/196 X
5,404,667 4/1995 Schmitter 42/100
5,406,731 4/1995 Stevens 42/71.02

Primary Examiner—Louis S. Zarfes

Assistant Examiner—Monica A. Hannon

Attorney, Agent, or Firm—McCormick, Paulding & Huber

[57] **CLAIM**

The ornamental design for a handgun, as shown and described.

DESCRIPTION

FIG. 1 is a perspective view of the handgun as seen from the right side thereof;

FIG. 2 is a top plan view of the handgun;

FIG. 3 is a right side elevational view of the handgun;

FIG. 4 is a bottom plan view of the handgun;

FIG. 5 is a front plan view of the handgun;

FIG. 6 is a left side elevational view of the handgun, and,

FIG. 7 is a rear elevational view of the handgun.

1 Claim, 3 Drawing Sheets

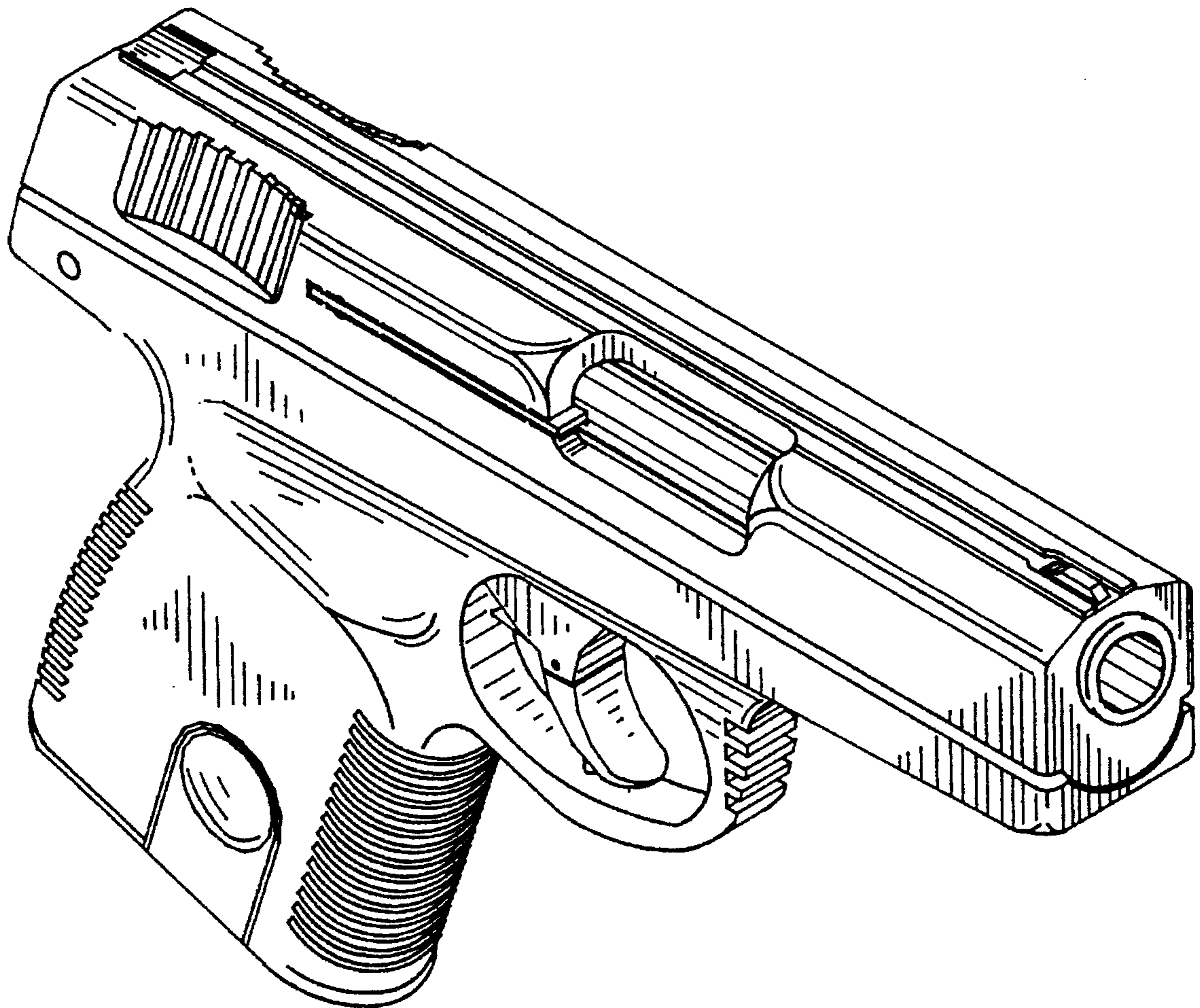


FIG. 1

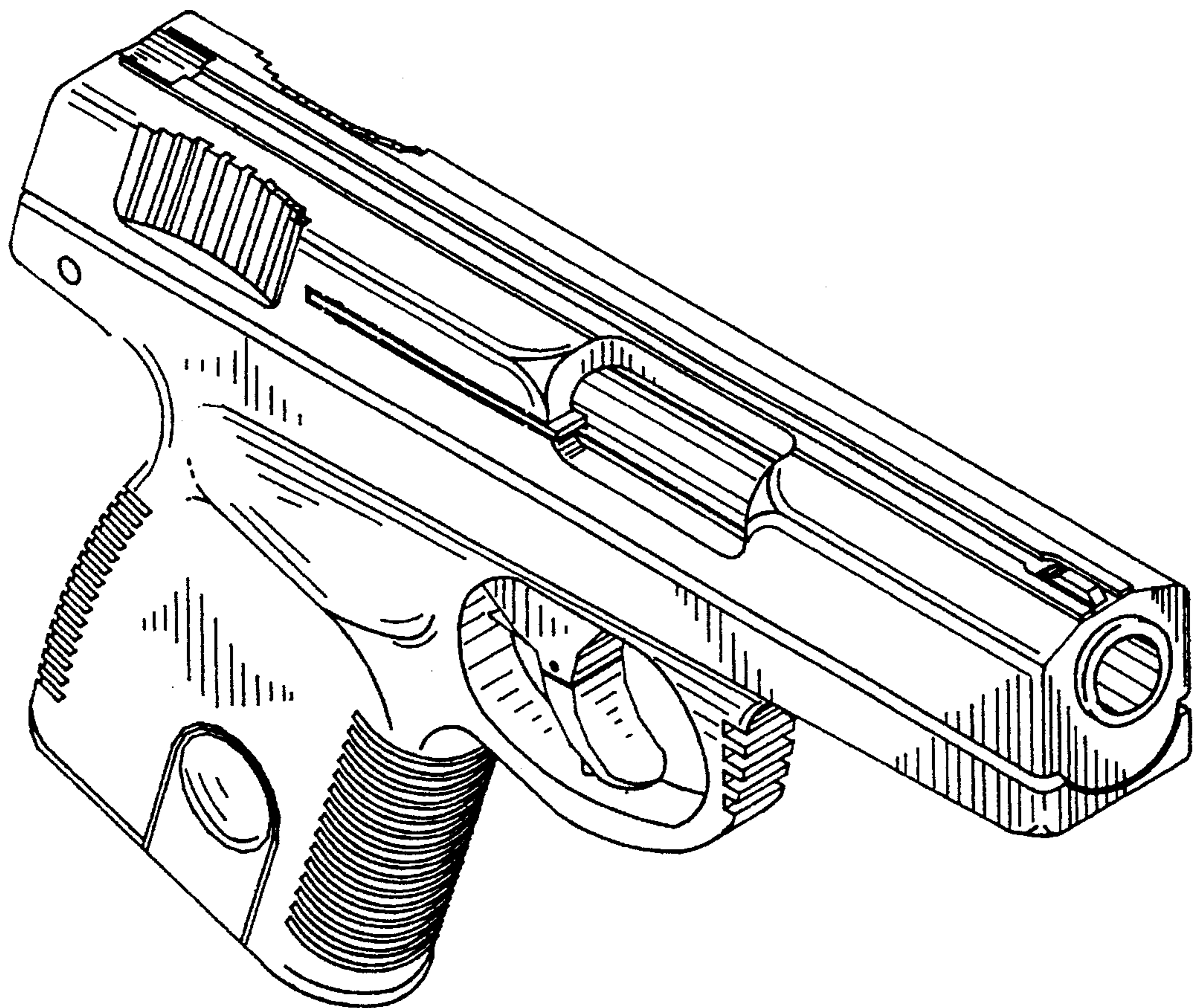


FIG. 2

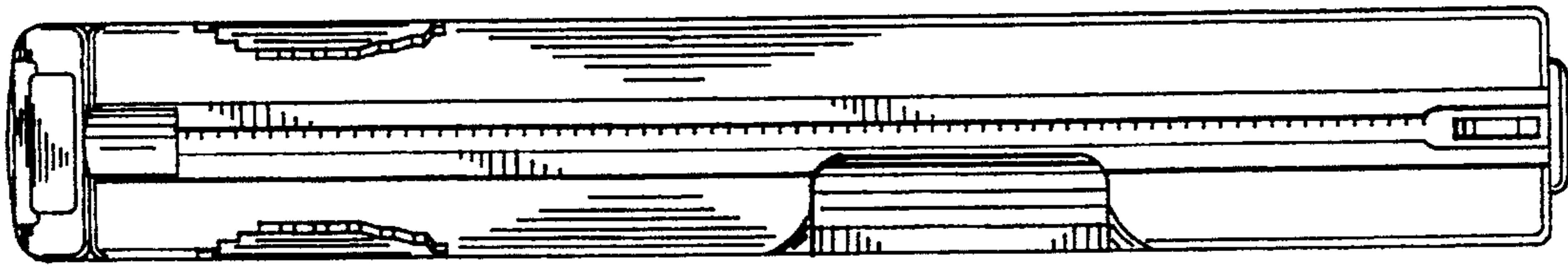


FIG. 3

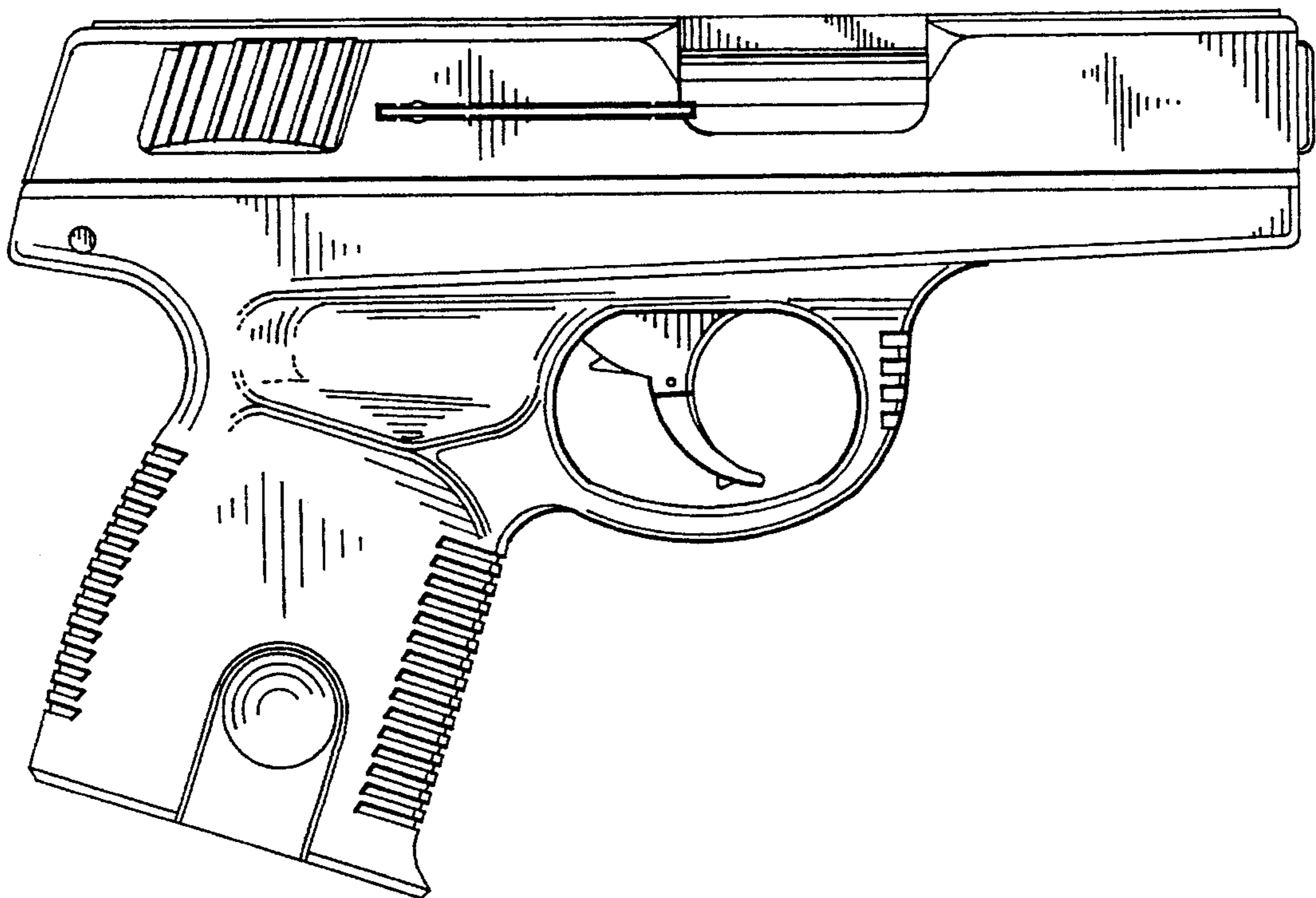


FIG. 4

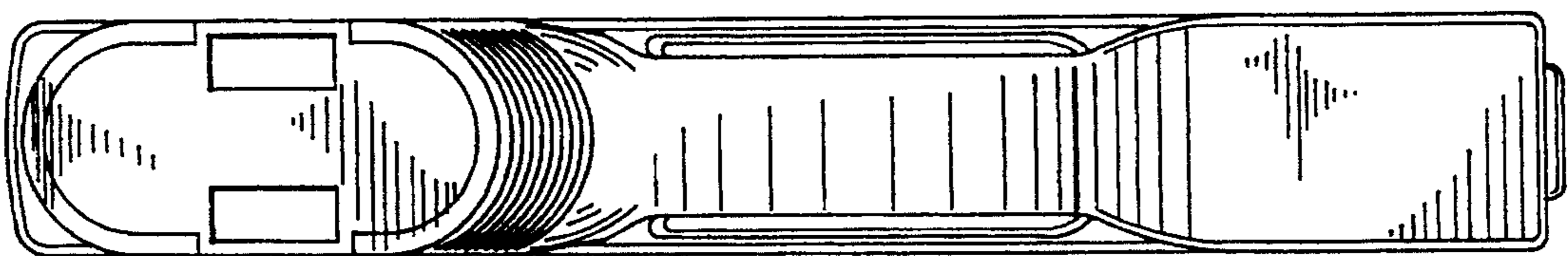


FIG. 7

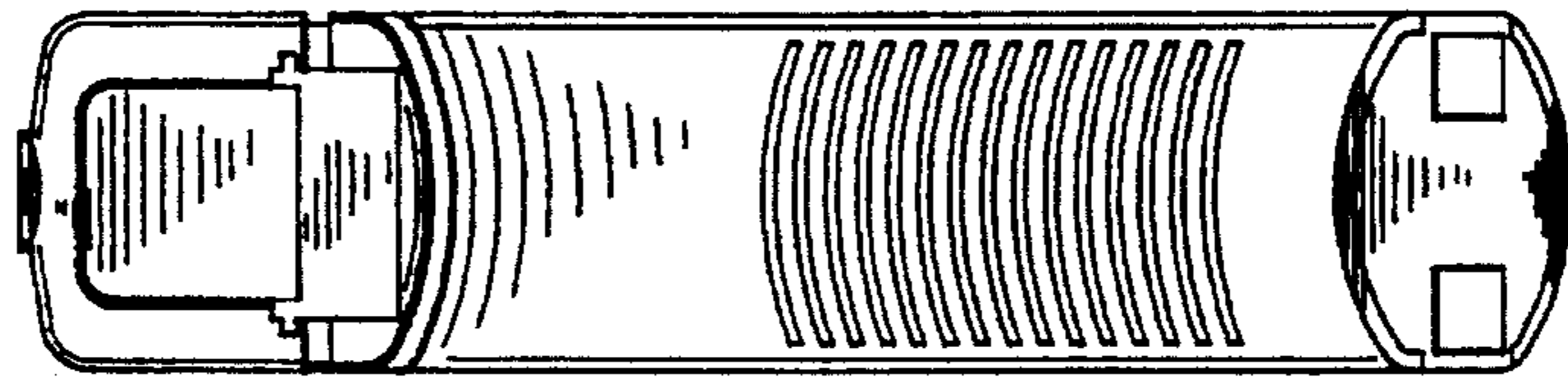


FIG. 6

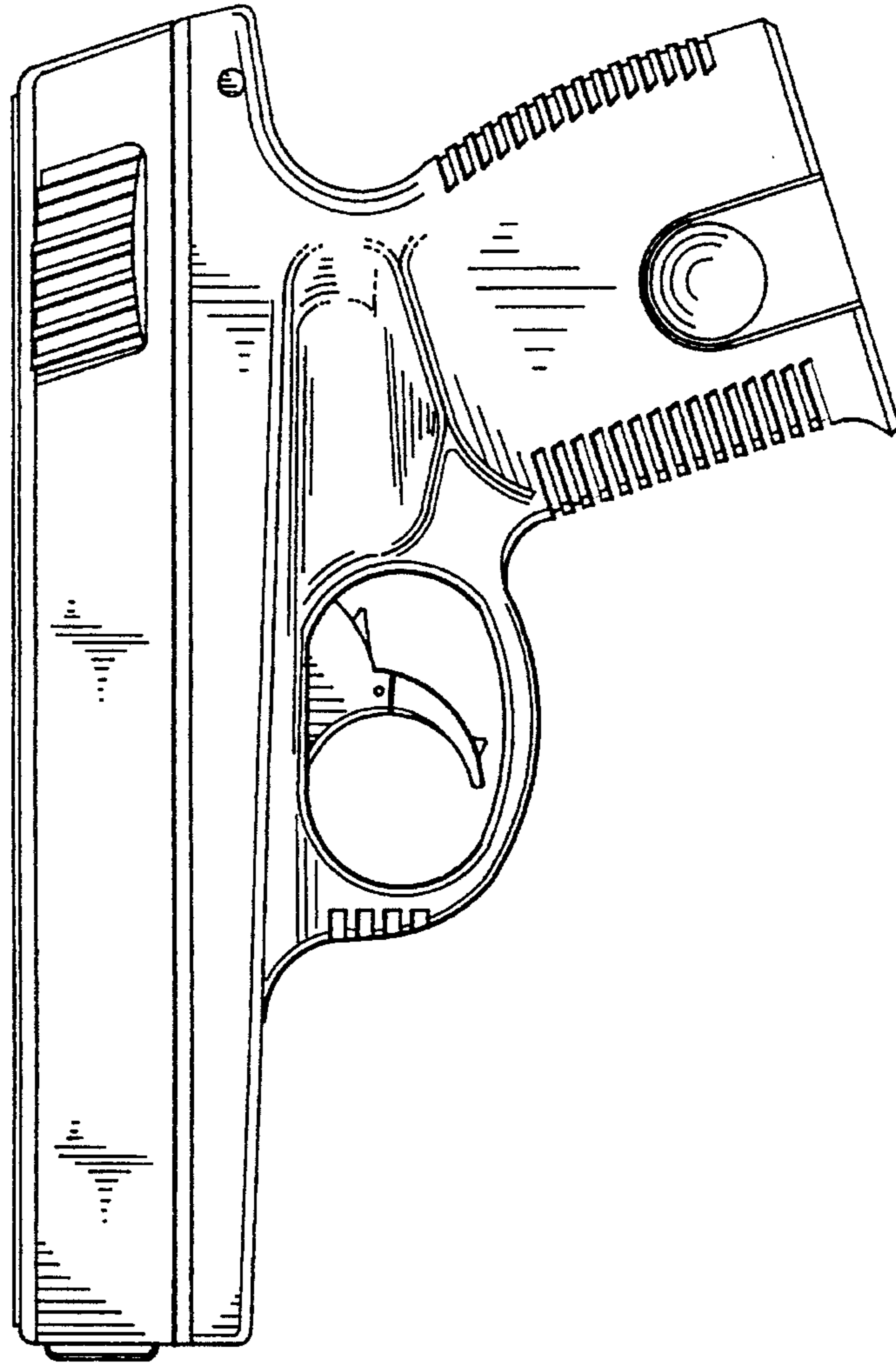


FIG. 5

