



US00D377512S

# United States Patent [19]

Lenihan

[11] Patent Number: **Des. 377,512**

[45] Date of Patent: **\*\*Jan. 21, 1997**

[54] **TEETER TOTTER**

[75] Inventor: **Gary G. Lenihan**, East Aurora, N.Y.

[73] Assignee: **Fisher-Price, Inc.**, East Aurora, N.Y.

[\*\*] Term: **14 Years**

[21] Appl. No.: **42,782**

[22] Filed: **Aug. 17, 1995**

[52] U.S. Cl. .... **D21/251**

[58] Field of Search ..... **D21/251; 273/106-115**

[56] **References Cited**

**U.S. PATENT DOCUMENTS**

D. 357,049	4/1995	Crane .....	D21/251
1,258,578	3/1918	Kintzel .....	472/111
1,656,692	1/1928	Buhr et al. ....	472/114
1,898,466	2/1933	Pierson .....	472/112
5,387,158	2/1995	Bertrand .....	472/117

**OTHER PUBLICATIONS**

Flexible Flyer: "3-Tot Rocker", p. 4.  
 Step Two: A Step Beyond, 1994, "Sea Clipper", p. 10.  
 Little Tikes: Toys That Last, 1994, "Whale Teeter Totter", p. 52.

Little Tikes: Toys That Last, 1994, "Airplane Teeter Totter", p. 52.

Little Tikes: Toys That Last, 1994, "Alligator Teeter Totter", p. 52.

*Primary Examiner*—Ted Shooman  
*Assistant Examiner*—Mitchell I. Siegel  
*Attorney, Agent, or Firm*—Howrey & Simon; C. Scott Talbot; Jennifer M. Hall

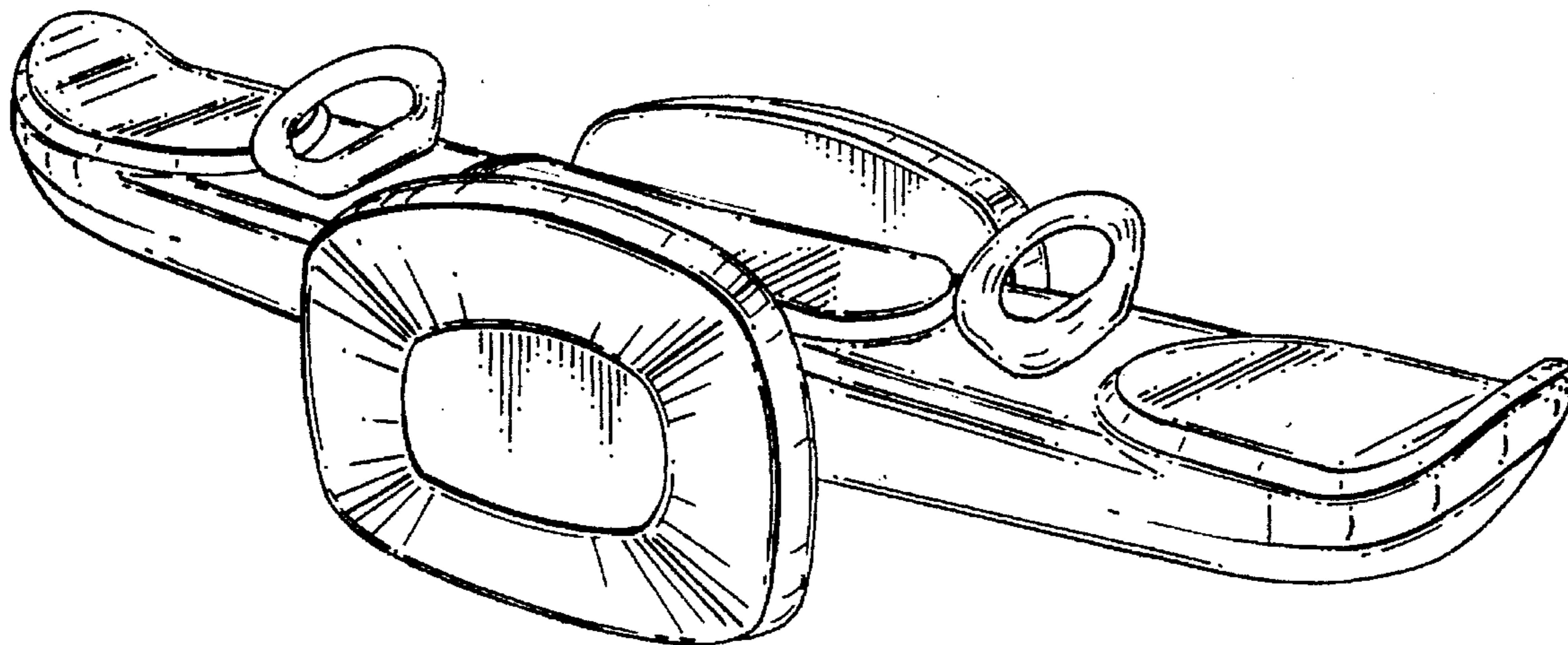
[57] **CLAIM**

The ornamental design for a teeter totter, as shown and described.

**DESCRIPTION**

FIG. 1 is a right perspective view of a teeter totter showing my new design;  
 FIG. 2 is a top plan view thereof;  
 FIG. 3 is a bottom plan view thereof;  
 FIG. 4 is a right side elevation view thereof;  
 FIG. 5 is a left side elevation view thereof;  
 FIG. 6 is a front elevation view thereof;  
 FIG. 7 is a rear elevation view; and,  
 FIG. 8 is an enlarged left perspective view thereof, the seating portion being in an alternate position.

**1 Claim, 3 Drawing Sheets**



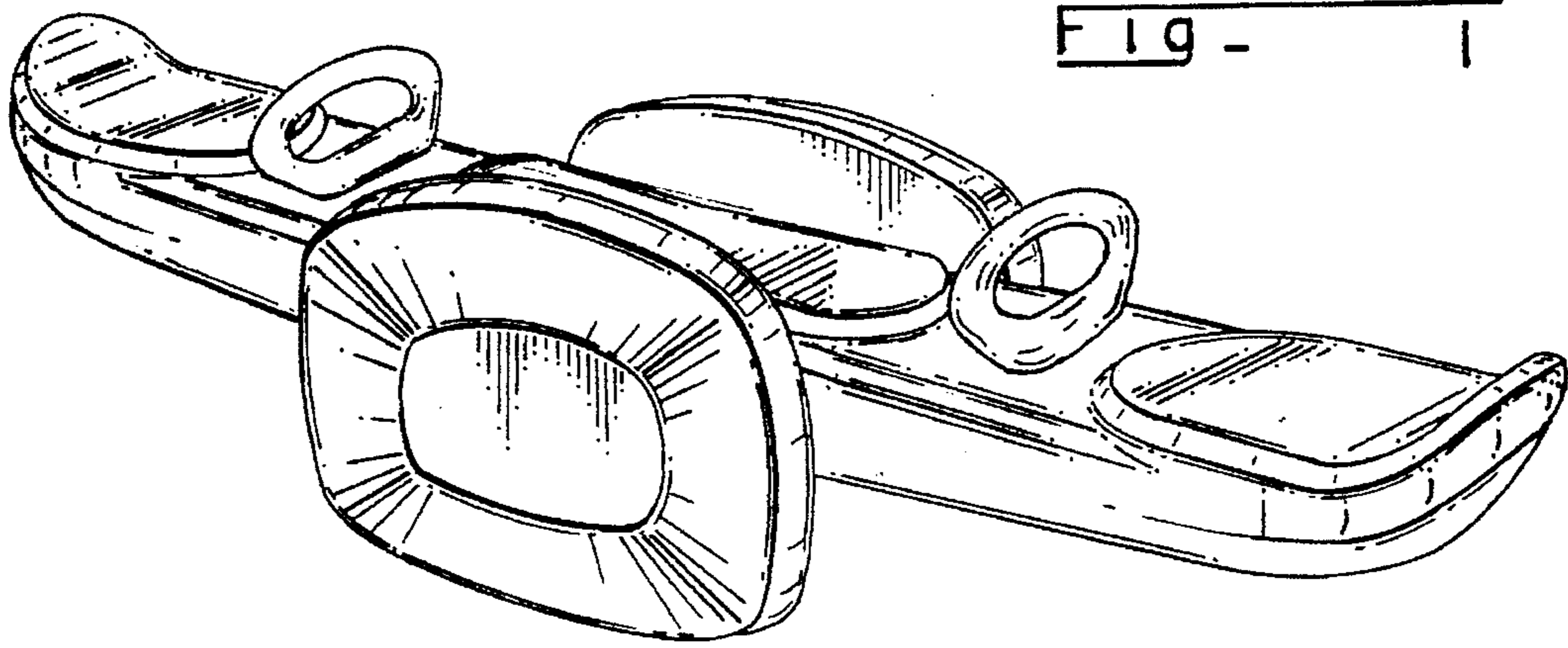


FIG - 1

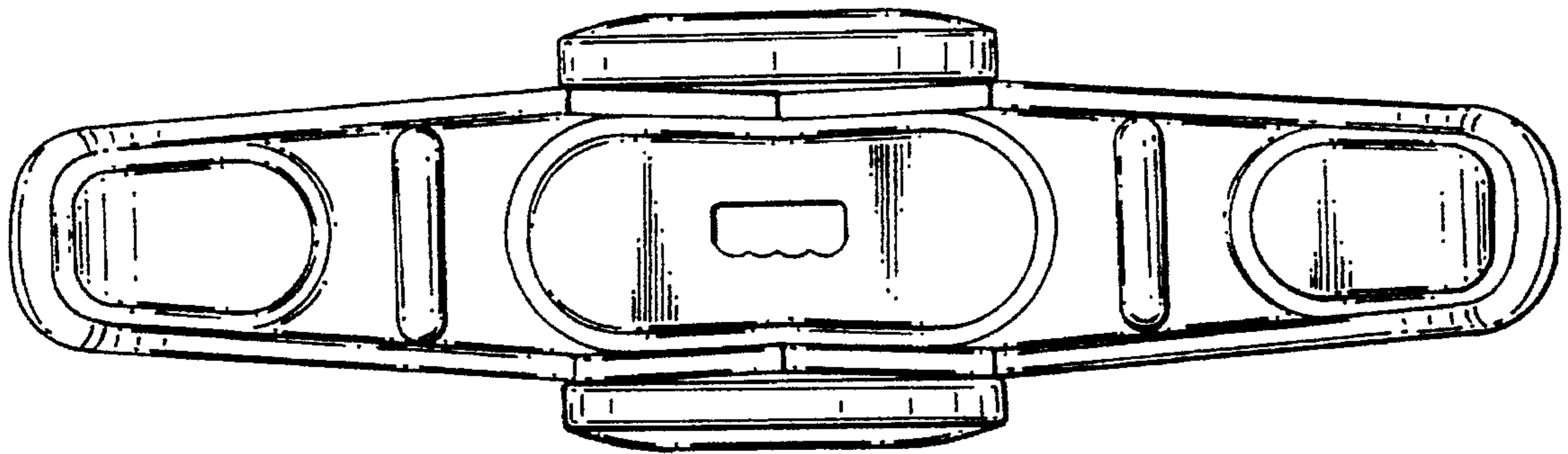


FIG - 2

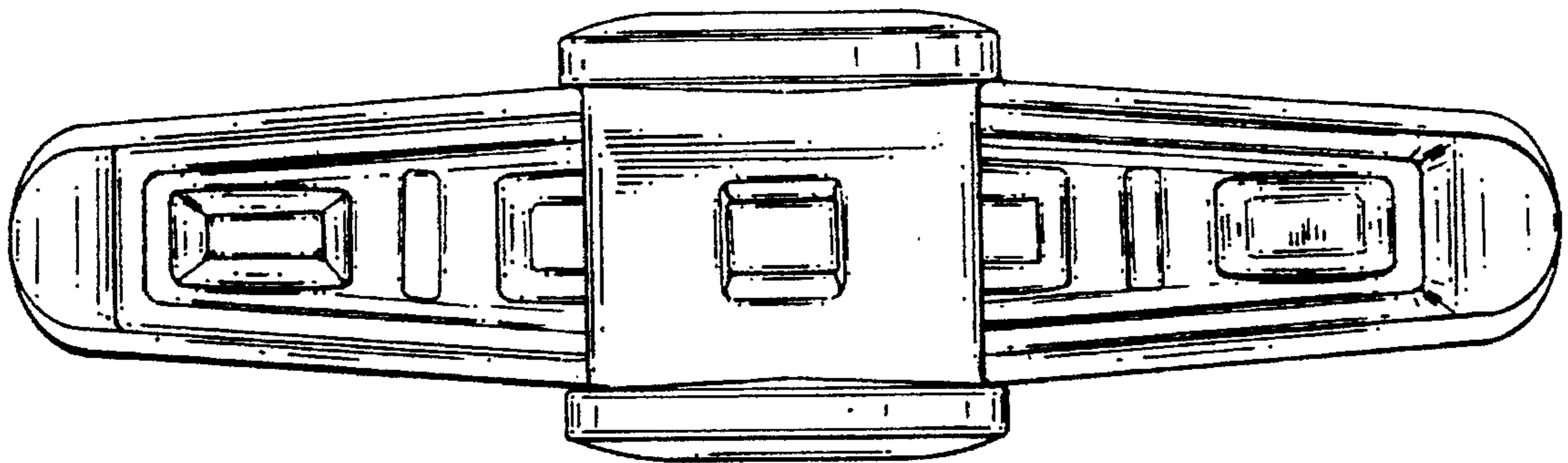


FIG - 3

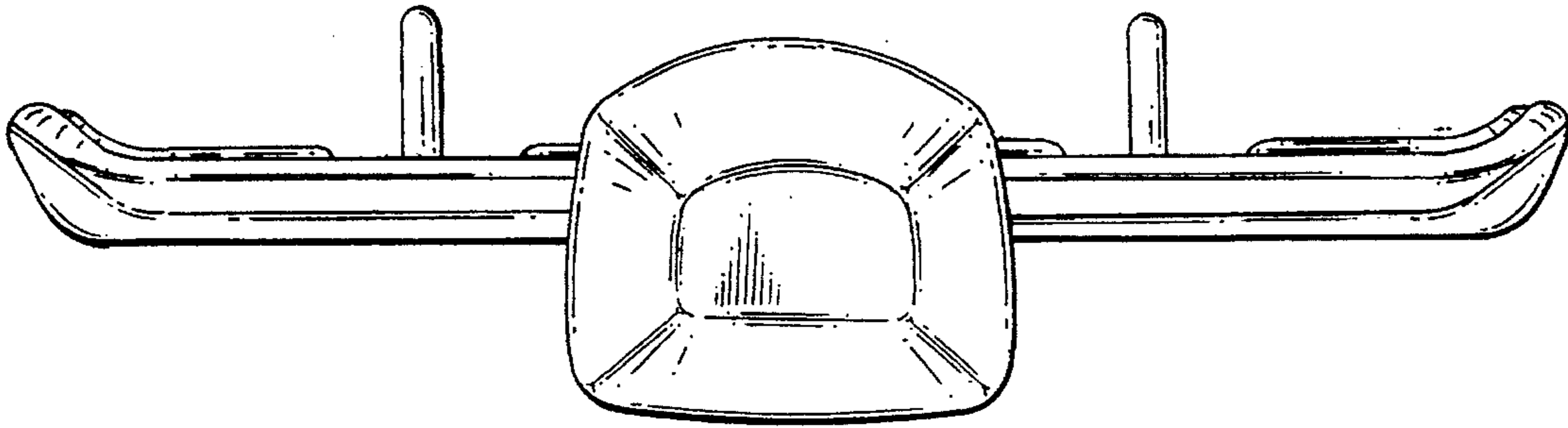


FIG - 4

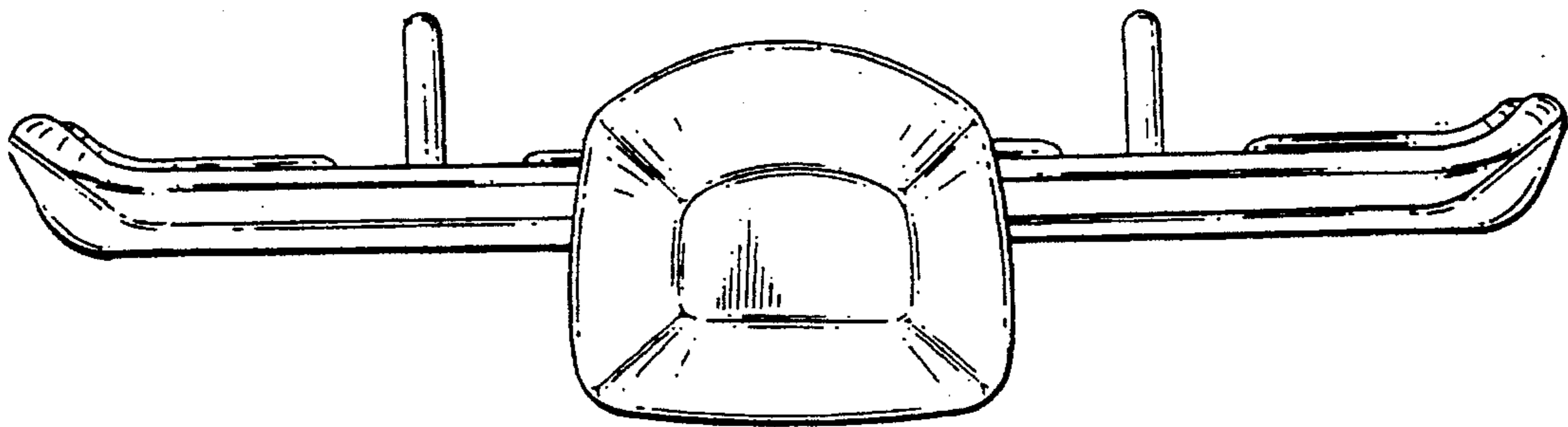


FIG - 5

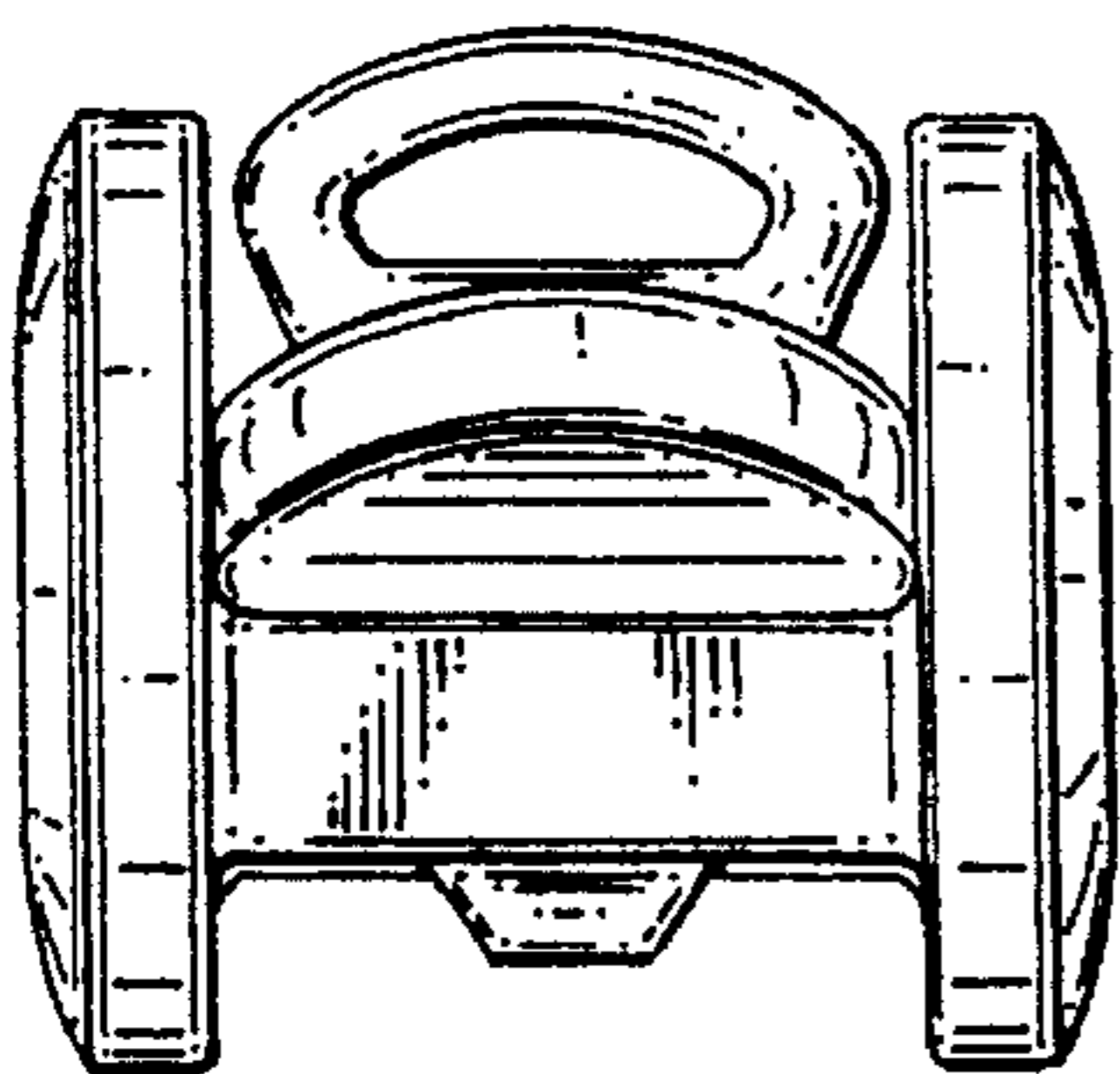


FIG - 6

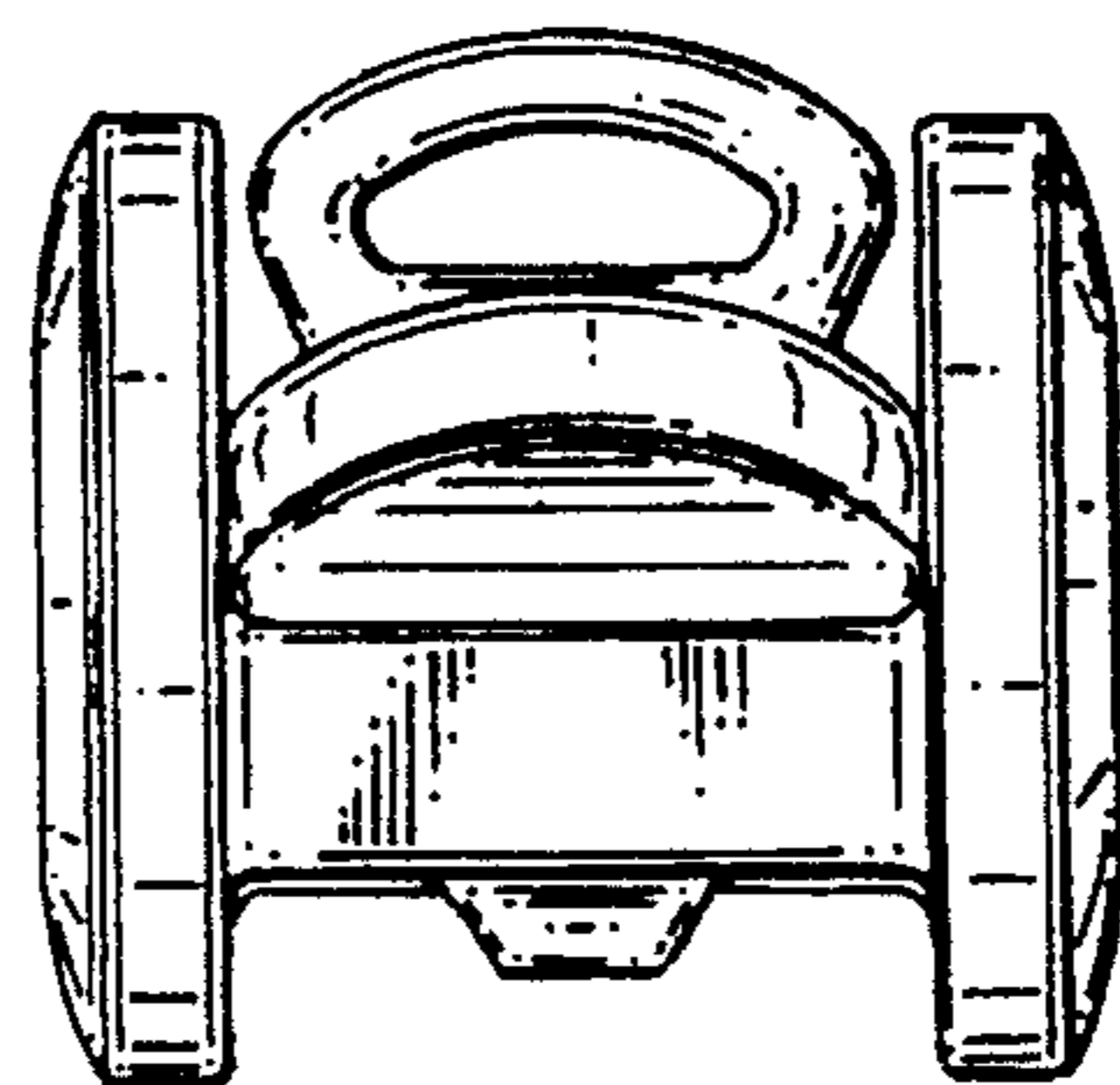


FIG - 7



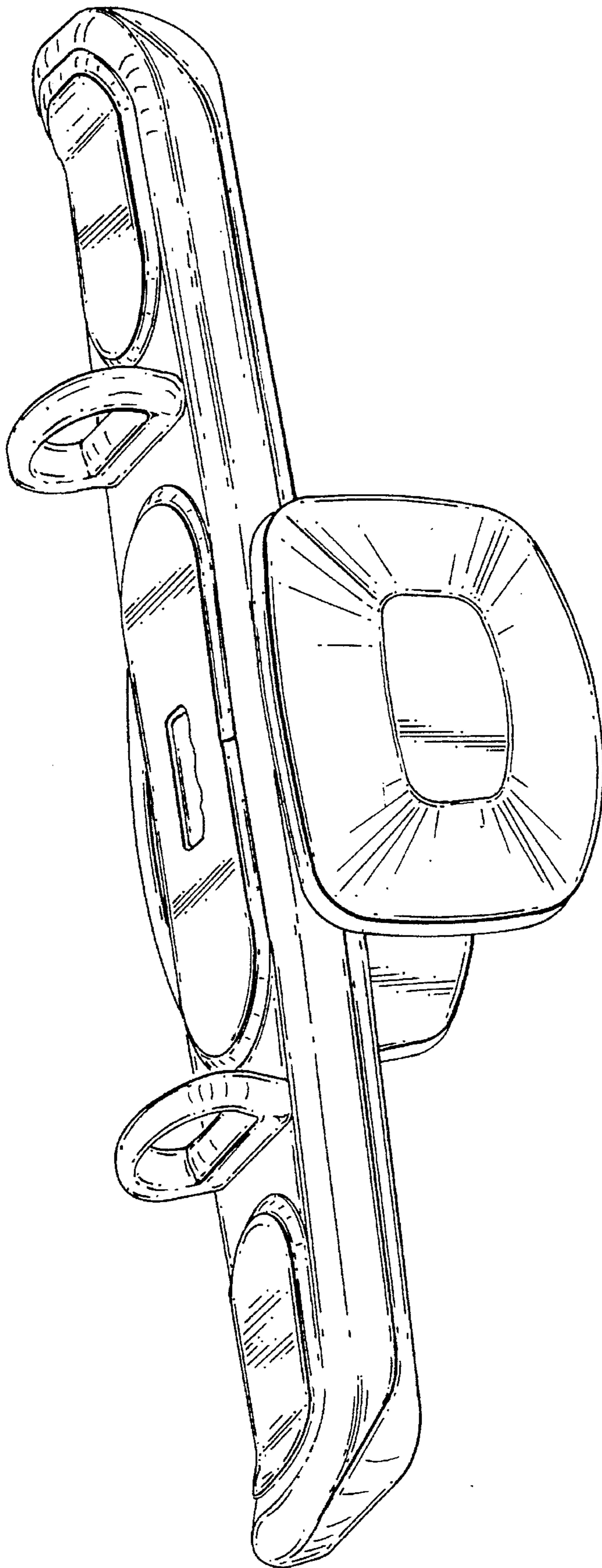


FIG - 8