



US00D377511S

United States Patent [19]
Glennon

[11] **Patent Number: Des. 377,511**

[45] **Date of Patent: **Jan. 21, 1997**

[54] **GOLF CLUB SUPPORT**

[76] Inventor: **Edward V. Glennon**, 5191 Lakeside Dr., Palm Springs, Calif. 92264

[**] Term: **14 Years**

[21] Appl. No.: **46,336**

[22] Filed: **Nov. 13, 1995**

[52] U.S. Cl. **D21/234**

[58] **Field of Search** D21/234, 208; D10/64; D20/22-27; 40/299; 473/408, 406, 387, 284, 285, 282; 248/96; 211/68, 70.2; D9/457, 456, 433, 434; D11/132, 140

[56] **References Cited**

U.S. PATENT DOCUMENTS

D. 2,372	7/1866	Locher	D20/22
D. 22,531	6/1893	Ford	D10/64
D. 136,395	9/1943	Deckman	D10/64
D. 279,309	6/1985	Rosen et al.	D21/234
D. 364,439	11/1995	Ragusin	D21/234
2,419,175	4/1947	Spohrer	211/70.2
4,063,731	12/1977	Kitay	473/408 X

OTHER PUBLICATIONS

Ever Ready Label, Corp. Catalog No. 23, 1981, p. 14, border design style C.

Primary Examiner—Prabhakar G. Deshmukh

Assistant Examiner—Cheri Cohen
Attorney, Agent, or Firm—Sand & Sebolt

[57] **CLAIM**

The ornamental design for a golf club support, as shown and described.

DESCRIPTION

FIG. 1 is a perspective view of a golf club support showing my new design;

FIG. 2 is a front elevational view of the golf club support shown in FIG. 1, the rear view being the same;

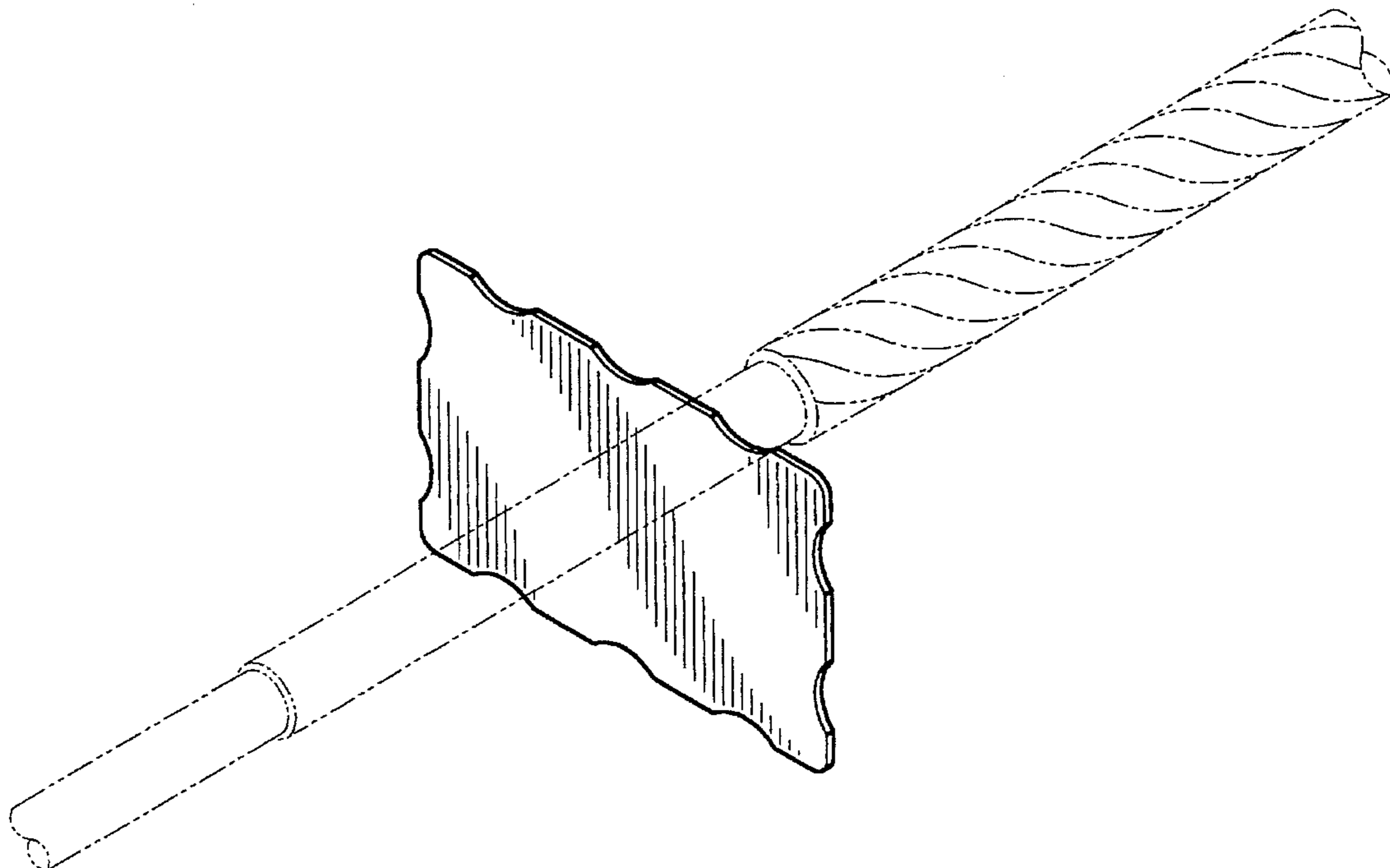
FIG. 3 is a top side view of FIG. 2, the bottom side being the same;

FIG. 4 is a right end view of FIG. 2, the left end being the same; and,

FIG. 5 is a reduced perspective view.

The broken line showing of the golf club in FIG. 5 is for illustrative purposes only and forms no part of the claimed design.

1 Claim, 1 Drawing Sheet



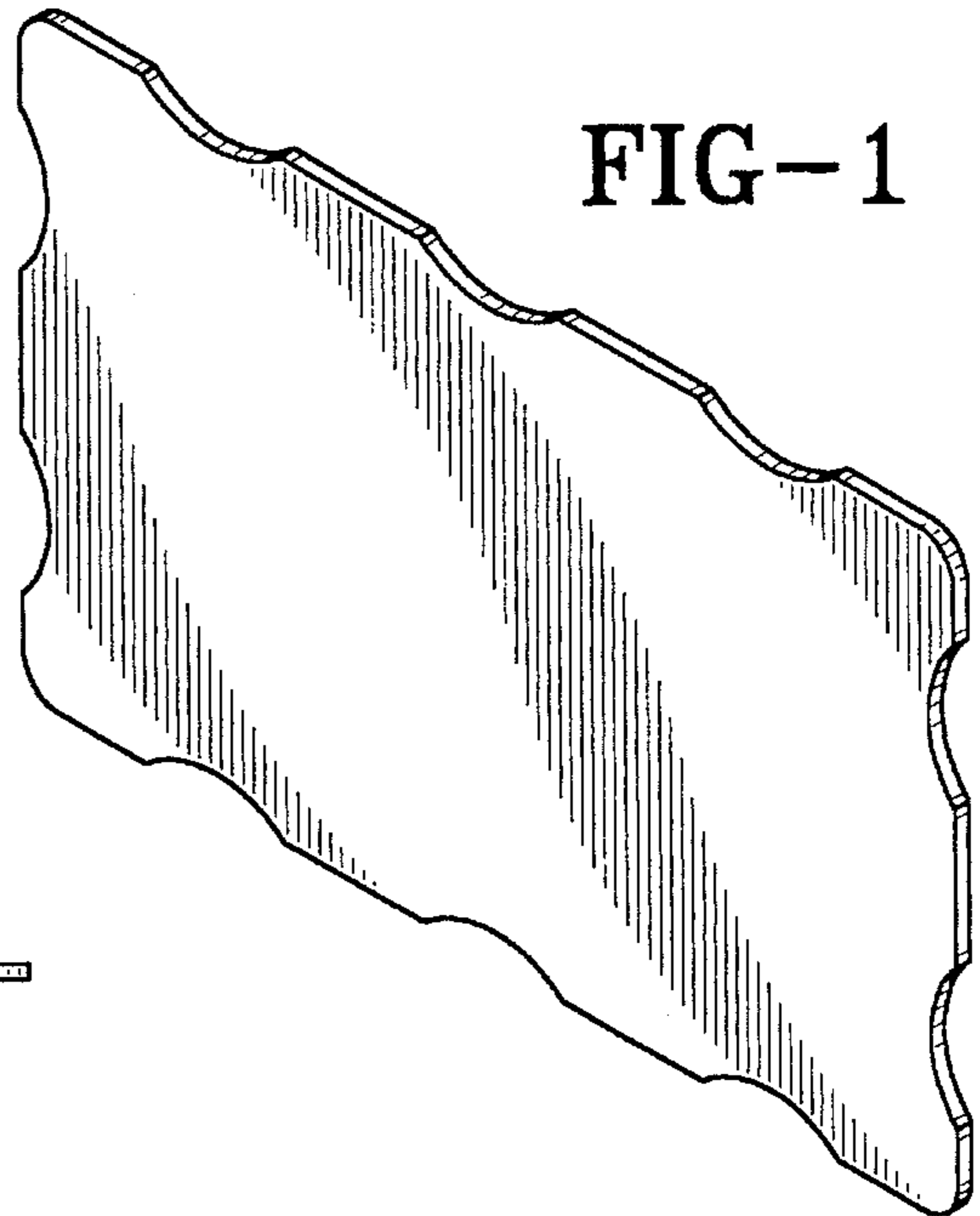


FIG-1

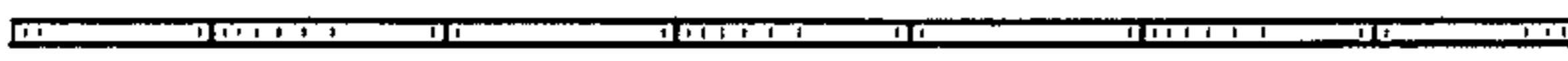


FIG-3

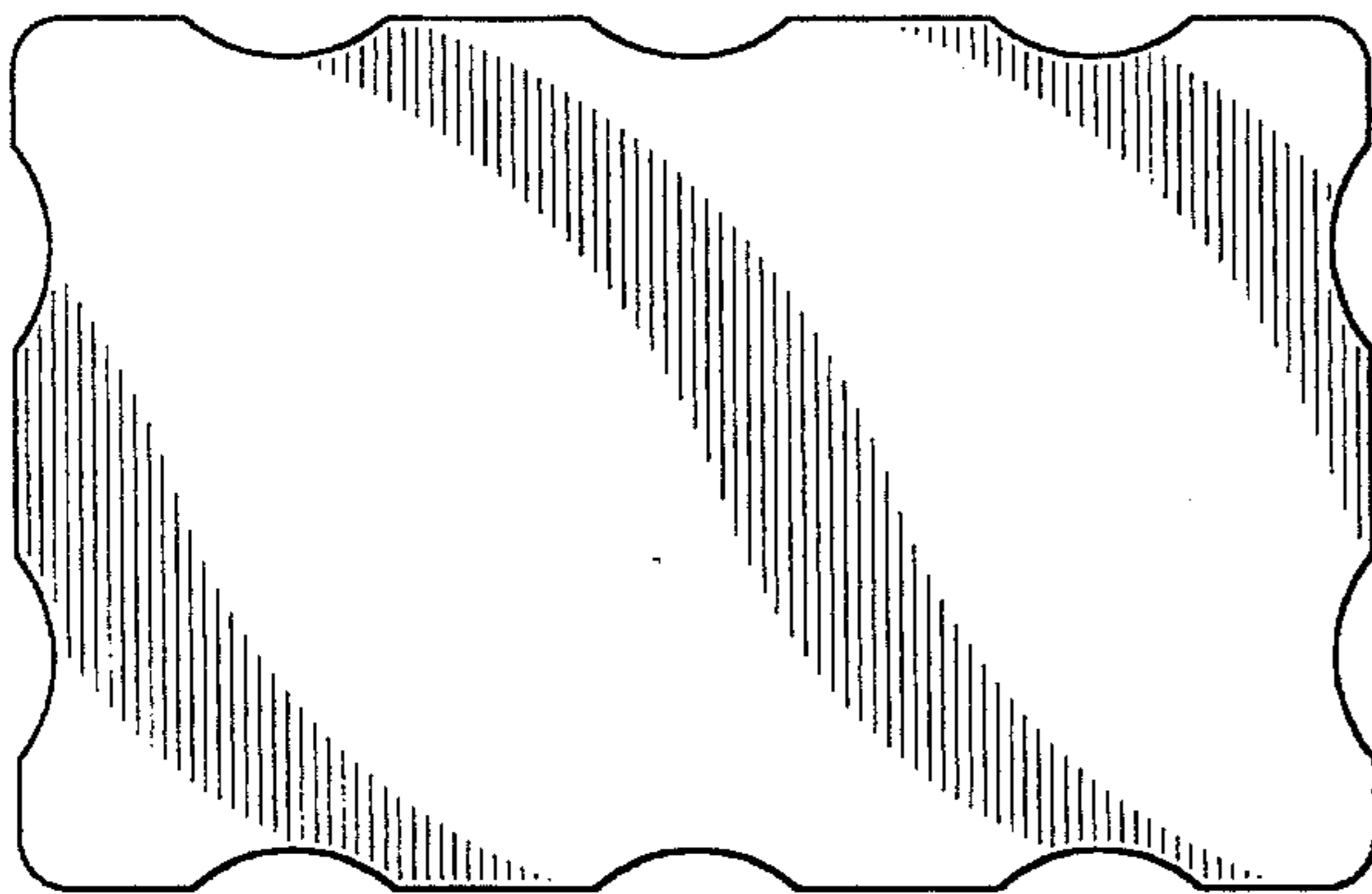


FIG-2



FIG-4

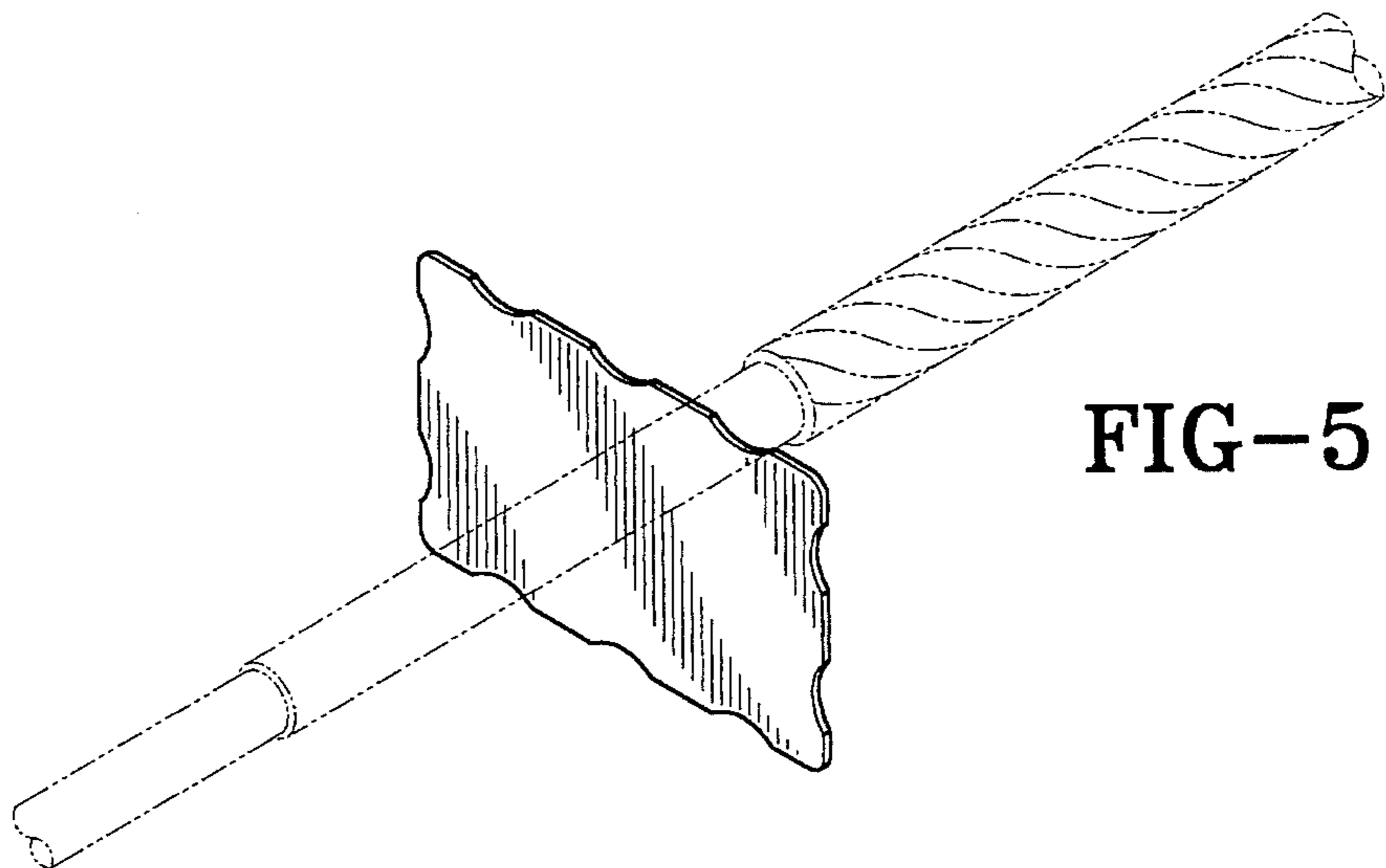


FIG-5