



US00D377505S

United States Patent [19]

Thompson

[11] Patent Number: **Des. 377,505**

[45] Date of Patent: ****Jan. 21, 1997**

[54] **STORE DISPLAY MOUNTING BRACKET EXTRUSION**

[75] Inventor: **David G. Thompson**, Toledo, Ohio

[73] Assignee: **Valley Plastic Co., Inc.**, Perrysburg, Ohio

[**] Term: **14 Years**

[21] Appl. No.: **34,913**

[22] Filed: **Feb. 15, 1995**

[52] U.S. Cl. **D20/43; D25/119**

[58] Field of Search **D25/119; D20/10, D20/39, 40, 41, 42, 43, 44; 40/644, 649, 650, 658, 661, 662; 248/227, 228, 229, 230, 231, 235**

[56] **References Cited**

U.S. PATENT DOCUMENTS

D. 275,867 10/1984 Zazzara et al. D20/43

D. 314,017	1/1991	Garfinkle	D20/43
D. 338,689	8/1993	Rosenthal	D20/43
D. 344,764	3/1994	Jam	D20/43
D. 347,449	5/1994	Garfinkle	D20/43

Primary Examiner—Marcus A. Jackson
Attorney, Agent, or Firm—MacMillan, Sobanski & Todd

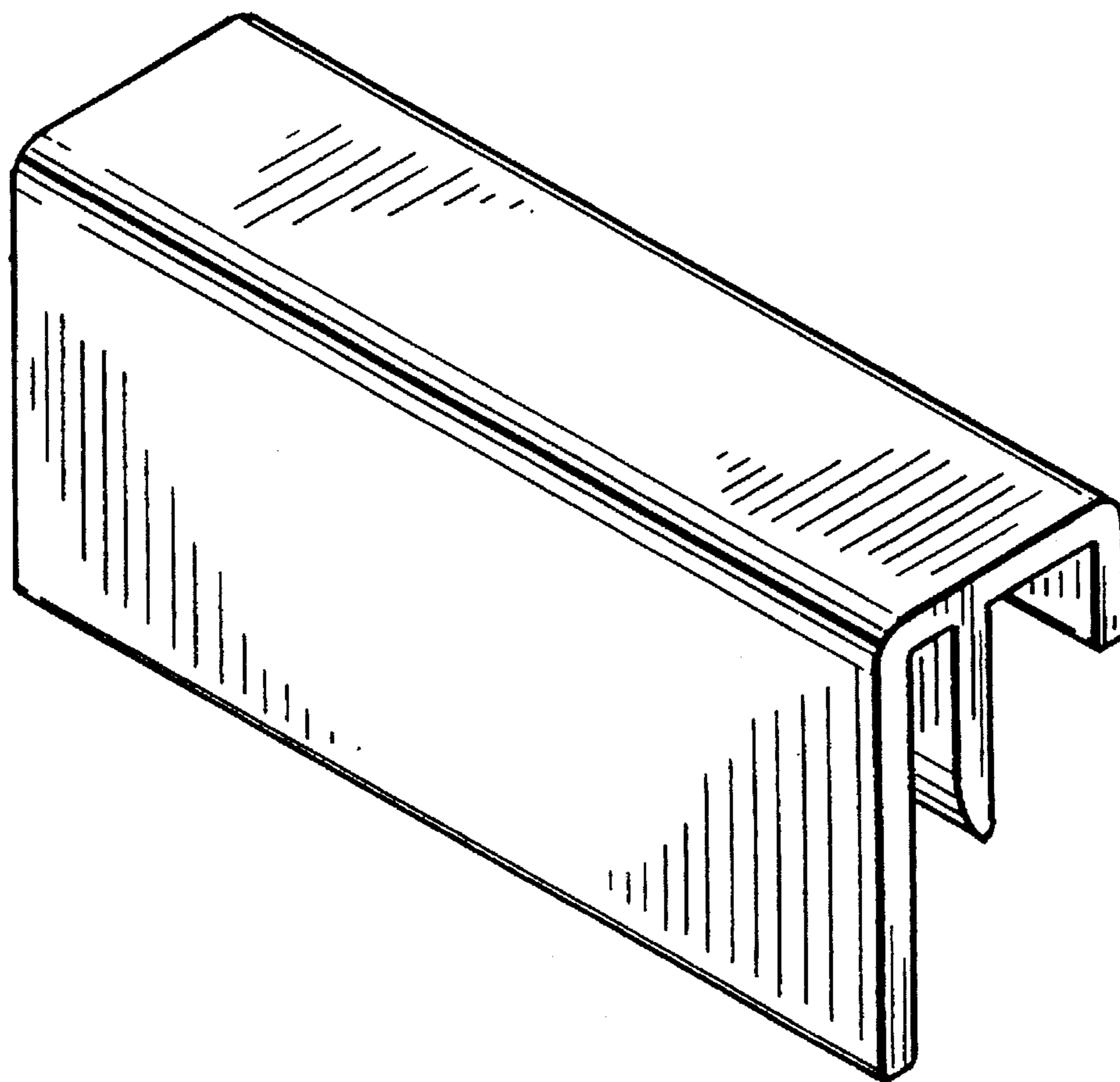
[57] **CLAIM**

The ornamental design for a store display mounting bracket extrusion, as shown and described.

DESCRIPTION

FIG. 1 is a top right perspective view of a store display mounting bracket extrusion showing my new design, with the opposite end being a mirror image, the store display component extrusion being of indefinite length; and, FIG. 2 is a bottom left perspective view thereof, with the opposite end being a mirror image.

1 Claim, 1 Drawing Sheet



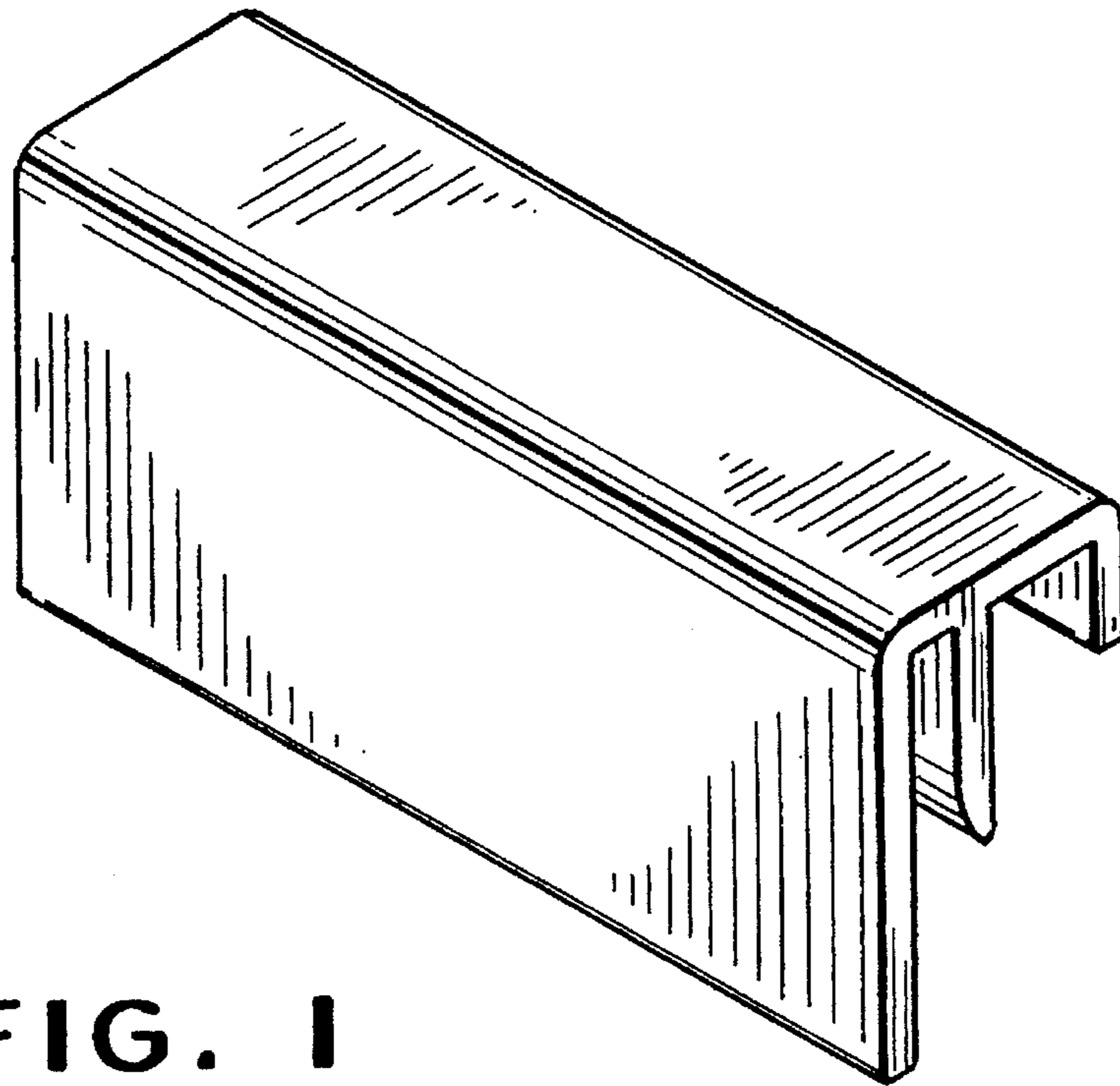


FIG. 1

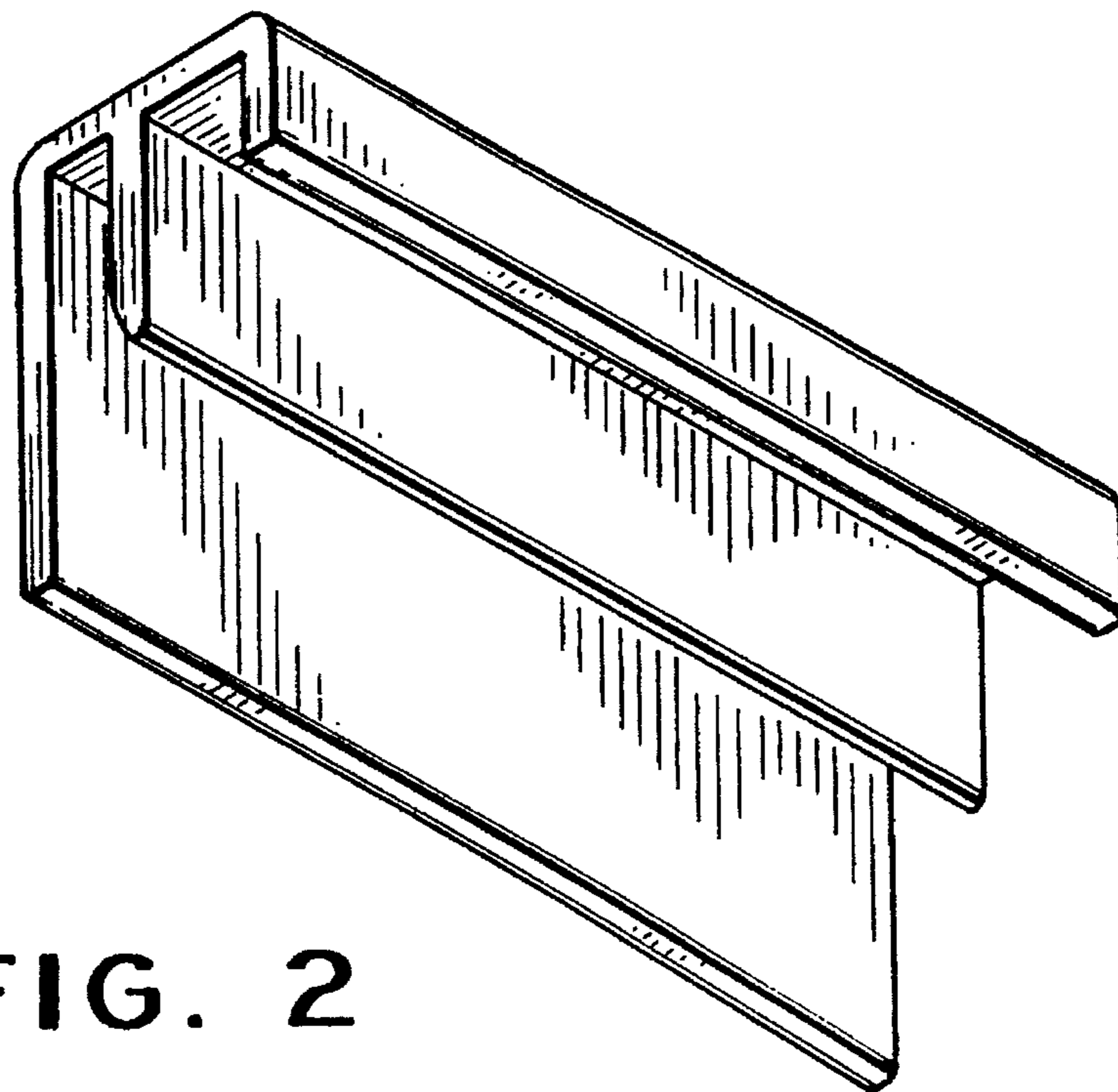


FIG. 2