



US00D377500S

# United States Patent [19]

Kida et al.

[11] Patent Number: **Des. 377,500**

[45] Date of Patent: **\*\*Jan. 21, 1997**

[54] **STAMPER**

D. 158,186 4/1950 Fleming ..... D18/15  
D. 371,386 7/1996 Smith ..... D18/15

[75] Inventors: **Masaki Kida; Motohide Imaizumi,**  
both of Tokyo, Japan

*Primary Examiner*—Louis S. Zarfes  
*Assistant Examiner*—Frank Martinez  
*Attorney, Agent, or Firm*—Reid & Priest L.L.P.

[73] Assignee: **Shachihata Inc.,** Nagoya, Japan

[\*\*] Term: **14 Years**

[57] **CLAIM**

The ornamental design for a stamper, as shown.

[21] Appl. No.: **53,298**

### DESCRIPTION

[22] Filed: **Apr. 19, 1996**

[30] **Foreign Application Priority Data**

FIG. 1 is a perspective view of a stamper showing our new design;

FIG. 2 is a plan view of FIG. 1;

FIG. 3 is a front view of FIG. 1;

FIG. 4 is a bottom view of FIG. 1;

FIG. 5 is a rear view of FIG. 1;

FIG. 6 is a left-side view of FIG. 1 (A right-side view would be a mirror image of the left-side view);

FIG. 7 is a section view taken along a line 7—7 in FIG. 3; and,

FIG. 8 is a section view taken along a line 8—8 in FIG. 6.

Nov. 15, 1995 [JP] Japan ..... 7-34650

[52] **U.S. Cl.** ..... **D18/15**

[58] **Field of Search** ..... D18/15, 16, 17,  
D18/18; 118/264, 268; 101/333, 327, 405,  
406

[56] **References Cited**

#### U.S. PATENT DOCUMENTS

D. 158,108 4/1950 Ljunggren ..... D18/15

**1 Claim, 4 Drawing Sheets**

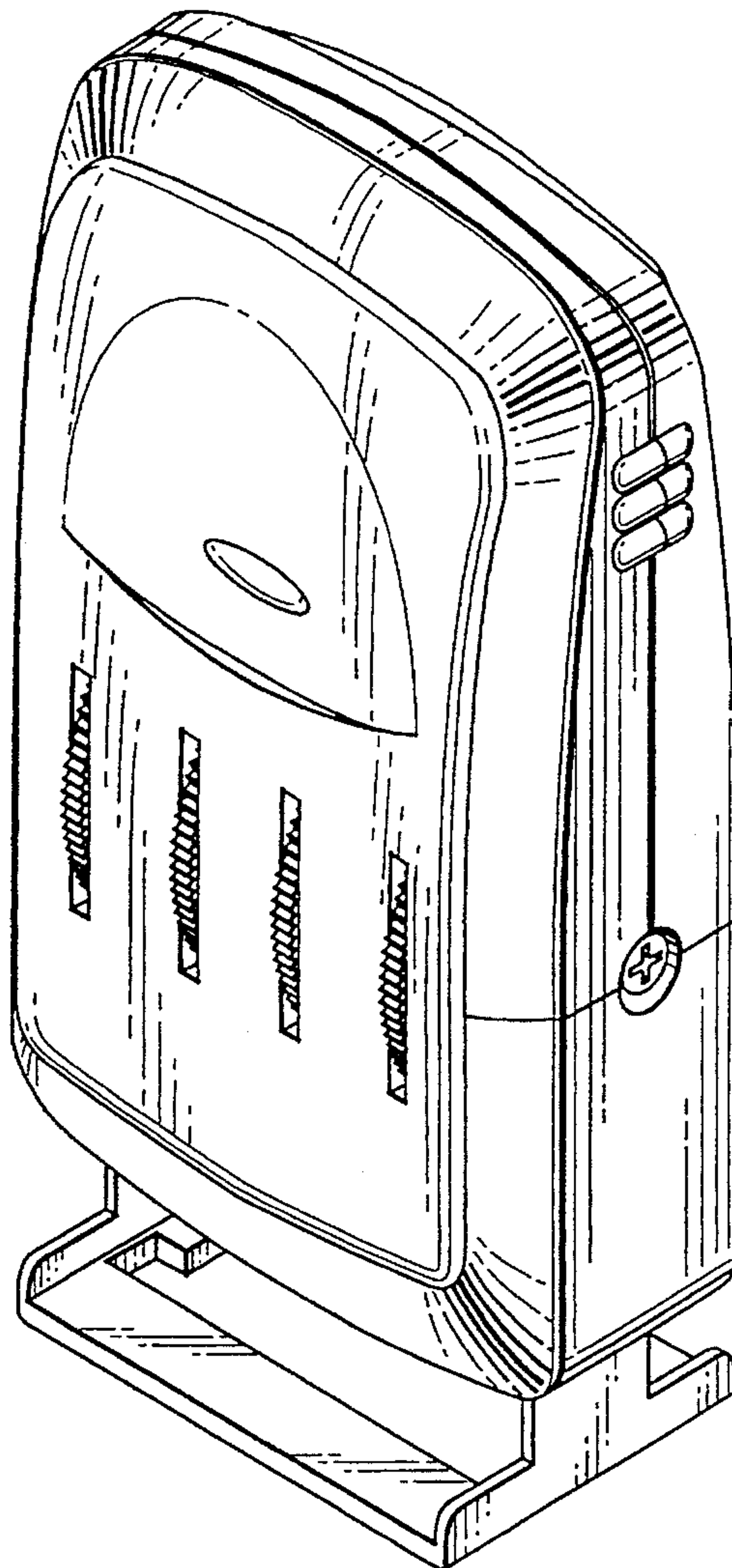


FIG. 1

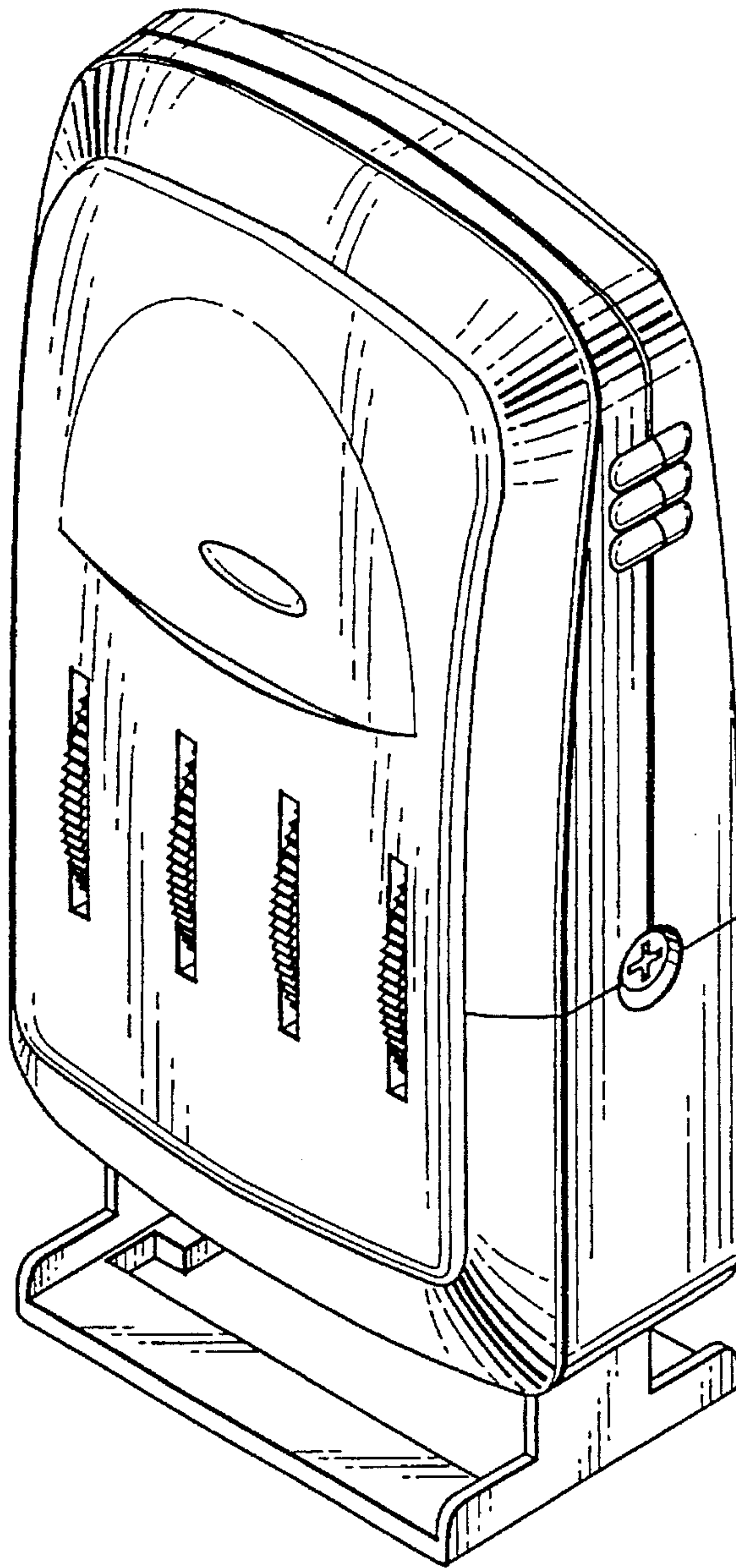


FIG. 2

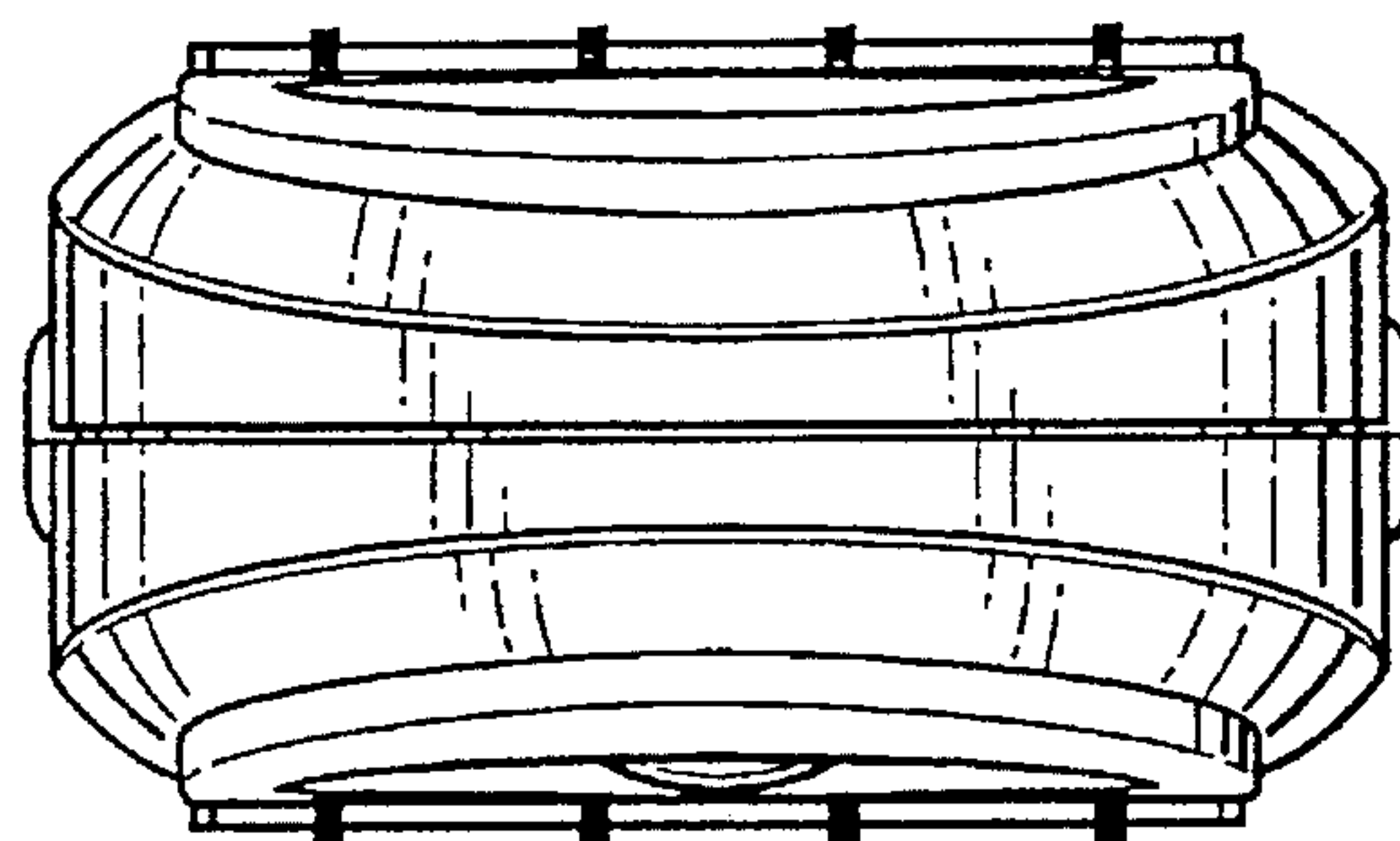


FIG. 3

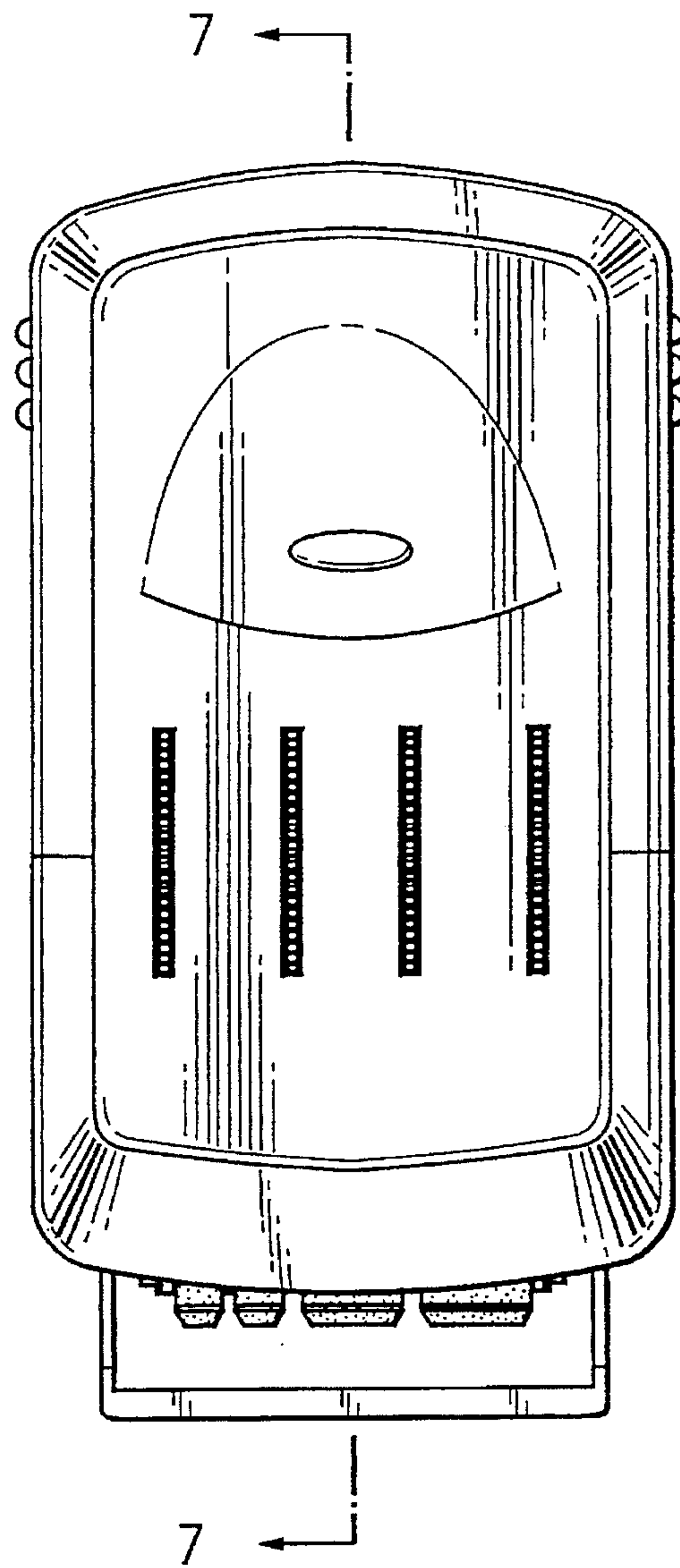


FIG. 4

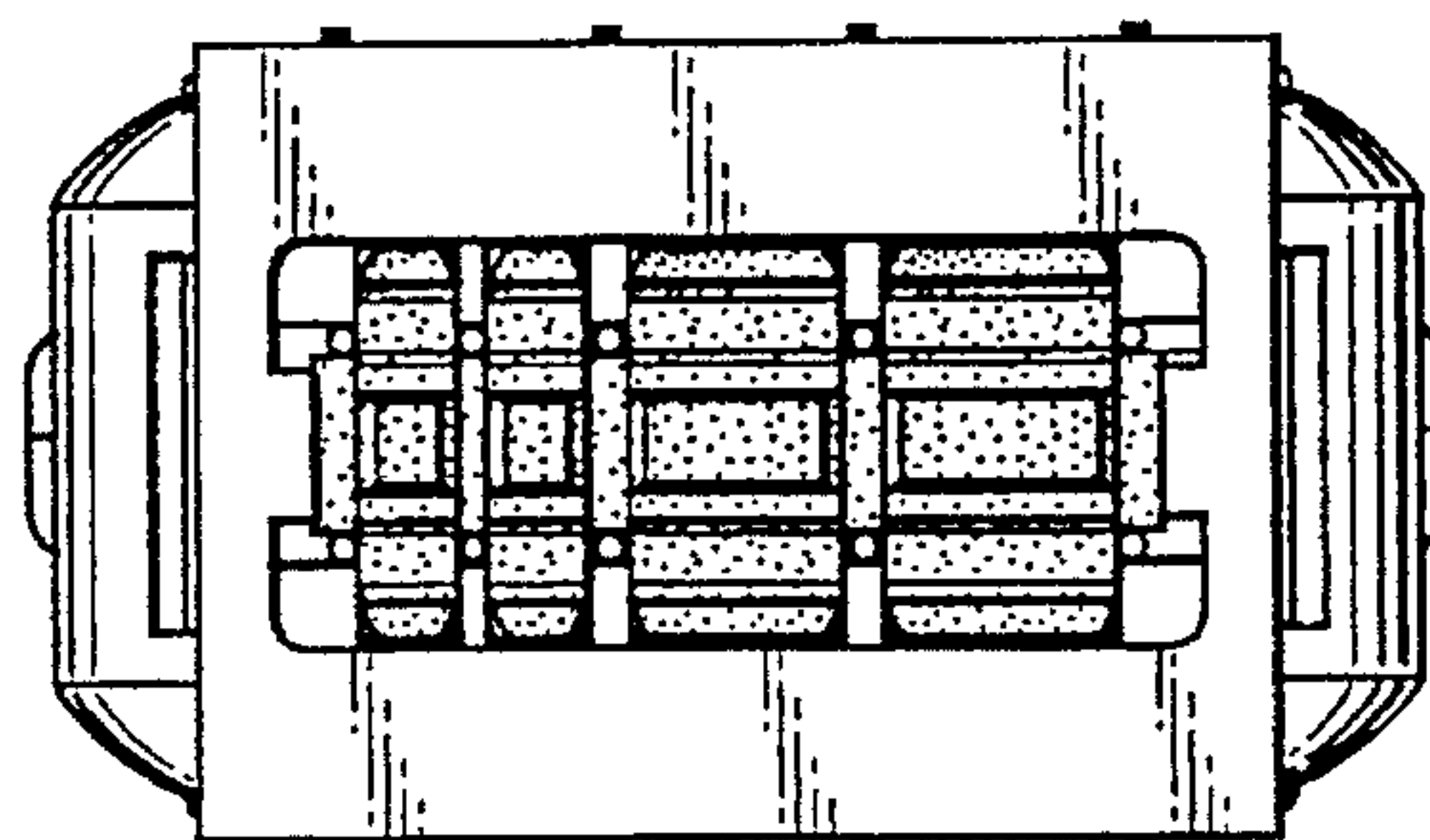


FIG. 5

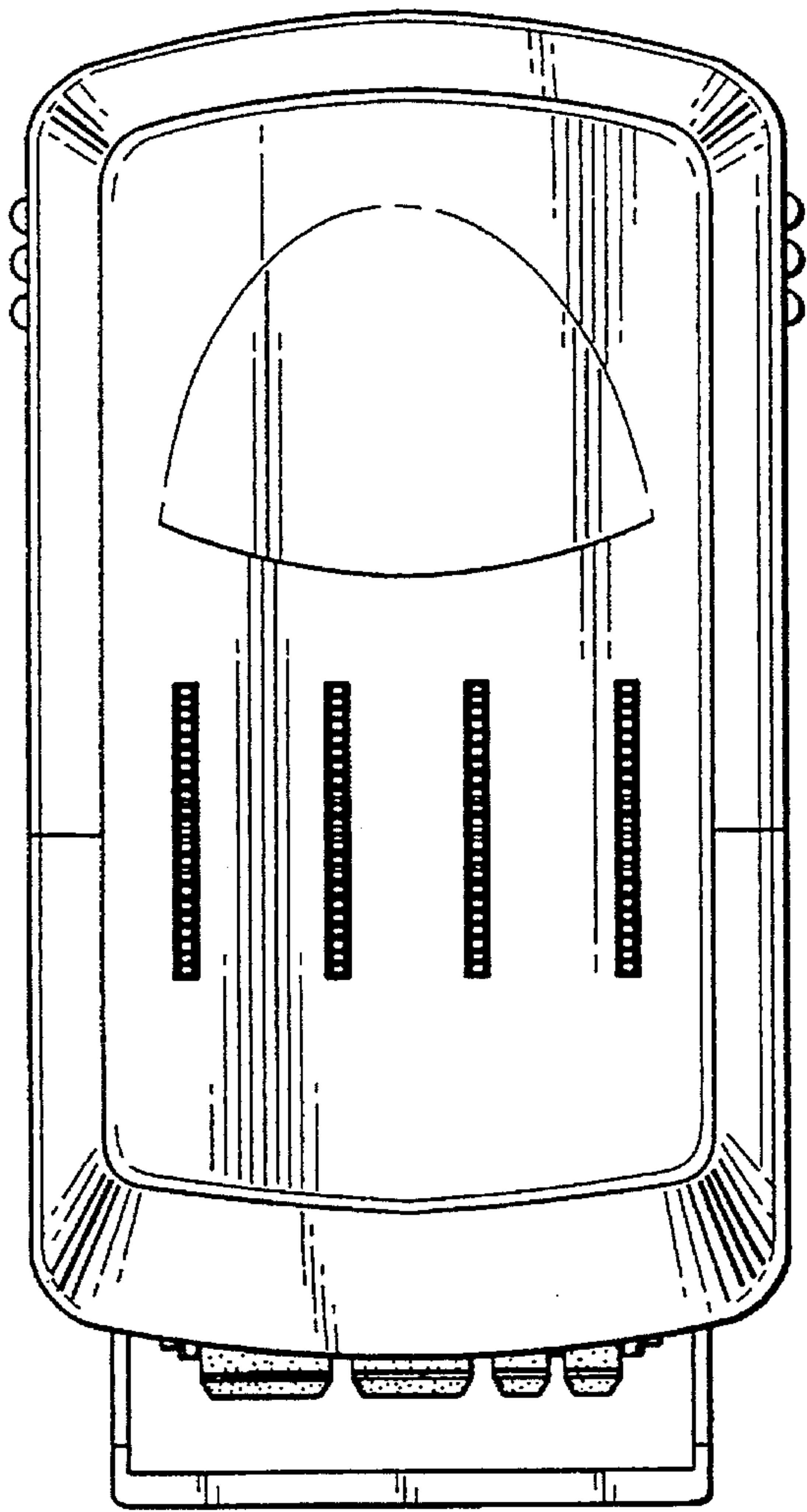


FIG. 6

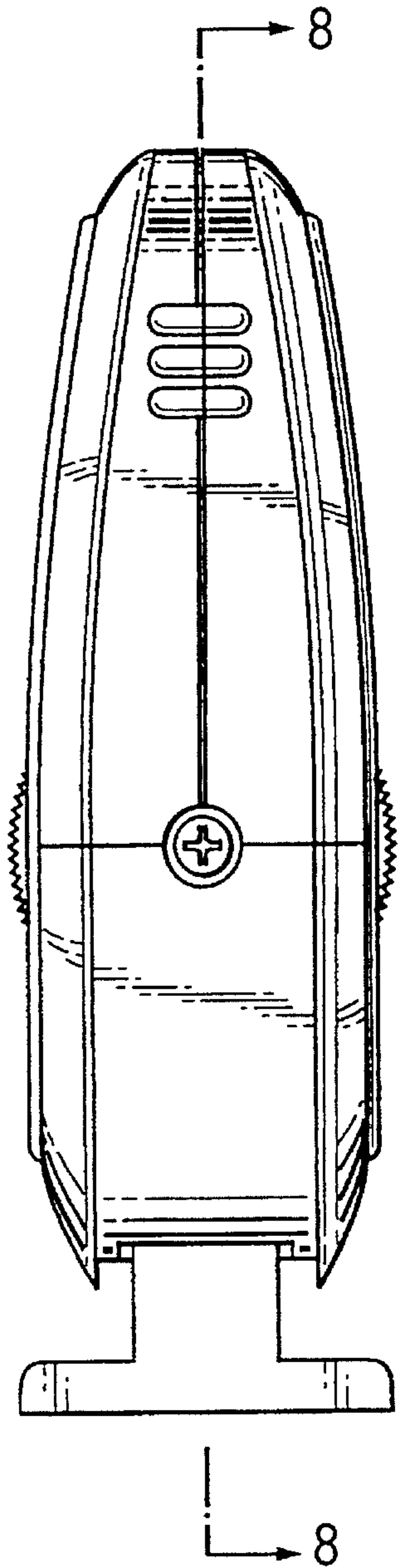




FIG. 7

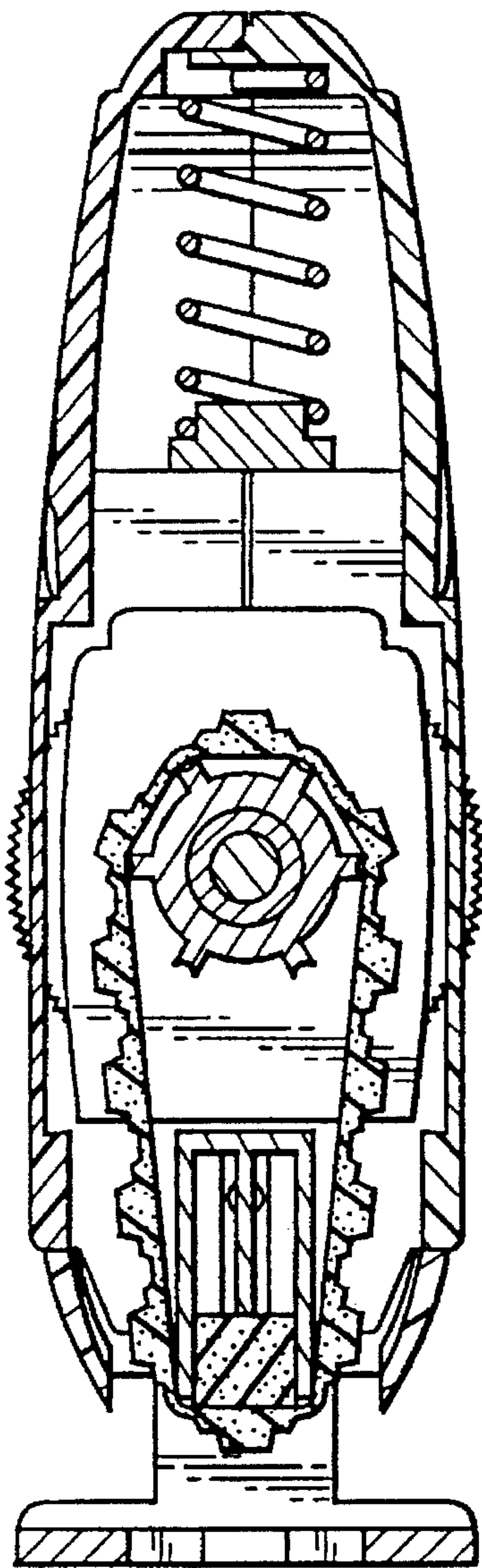


FIG. 8

