



US00D377496S

United States Patent [19] Poole

[11] Patent Number: **Des. 377,496**

[45] Date of Patent: ****Jan. 21, 1997**

[54] **BAG LOADER**

4,805,381 2/1989 Hannon 53/459
5,511,364 4/1996 Levi et al. 53/570

[75] Inventor: **Bryan H. Poole**, Lawrenceville, Ga.

OTHER PUBLICATIONS

[73] Assignee: **All-Pak Machinery Systems, Inc.**,
Decatur, Ga.

Brochure for "Amscomatic C-500 Automatic Bag Loading Machine", All-Pak Machinery Systems, Inc.; Published Prior To Dec. 1994.

[**] Term: **14 Years**

Brochure for "Amscomatic C-600 Automatic Bag Loading Machine"; All-Pak Machinery Systems, Inc.; Published Prior To Dec. 1994.

[21] Appl. No.: **49,020**

Brochure for "Amscomatic K-700 Automatic Folding Machine"; All-Pak Machinery Systems, Inc.; Published Prior To Dec. 1994.

[22] Filed: **Dec. 22, 1995**

[52] U.S. Cl. **D15/145**

[58] Field of Search D15/145; 53/176,
53/250, 252, 255, 258, 374.9, 375.2, 385.1,
438, 544, 570, 571, 572; 144/390, 391;
206/427; 294/1.1, 55, 137

Paperwork for IGUS Brand Energy Chain Systems; Published Prior To Dec. 1994.

[56] References Cited

Primary Examiner—Antoine Duval Davis
Attorney, Agent, or Firm—Louis T. Isaf, P.C.

U.S. PATENT DOCUMENTS

[57] CLAIM

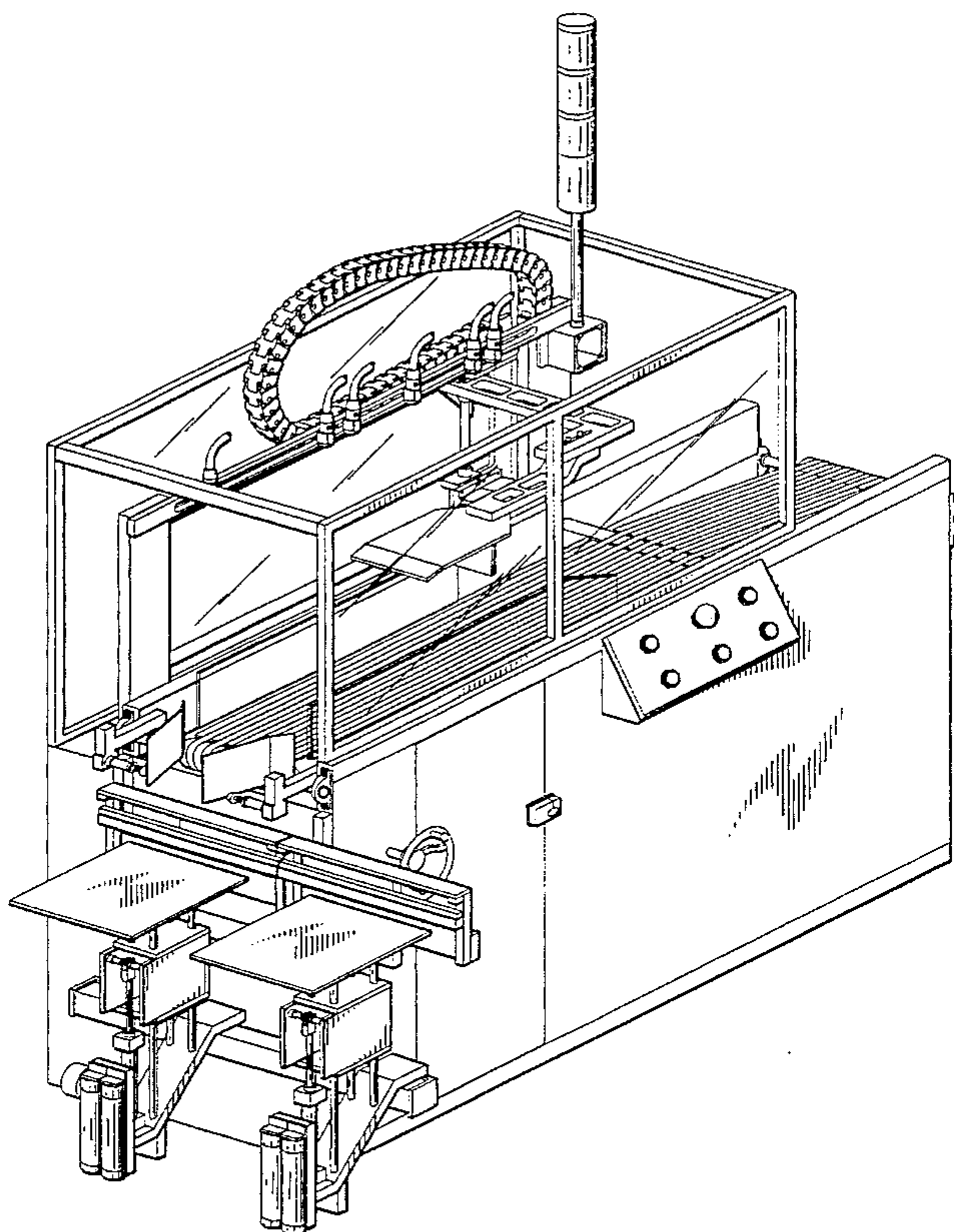
D. 264,723	6/1982	Tsujimoto	D15/145
2,226,323	12/1940	Pointon	107/7
2,397,158	3/1946	Savrda	198/170
2,451,648	10/1948	Anderson	198/170
3,126,813	3/1964	Marriott	99/349
3,206,913	9/1965	Fleighter et al.	53/189
3,217,464	11/1965	Feingold	53/187
3,228,171	1/1966	Cory	53/187
3,313,394	4/1967	Mills et al.	198/33
3,527,337	9/1970	Formo	198/170
3,603,059	9/1971	Carnes et al.	53/258
3,799,320	3/1974	Bilt	198/239
3,939,993	2/1976	Lingl, Jr.	214/6 A
4,377,929	3/1983	Altenpohl et al.	53/572
4,545,476	10/1985	Calvert	198/399

The ornamental design for a "bag loader", as shown and described.

DESCRIPTION

FIG. 1 is a rear perspective view of a bag loader showing my new design;
FIG. 2 is a left side elevational view thereof;
FIG. 3 is a rear elevational view thereof;
FIG. 4 is a front elevational view thereof;
FIG. 5 is a right side elevational view thereof; and,
FIG. 6 is a top plan view thereof.

1 Claim, 5 Drawing Sheets



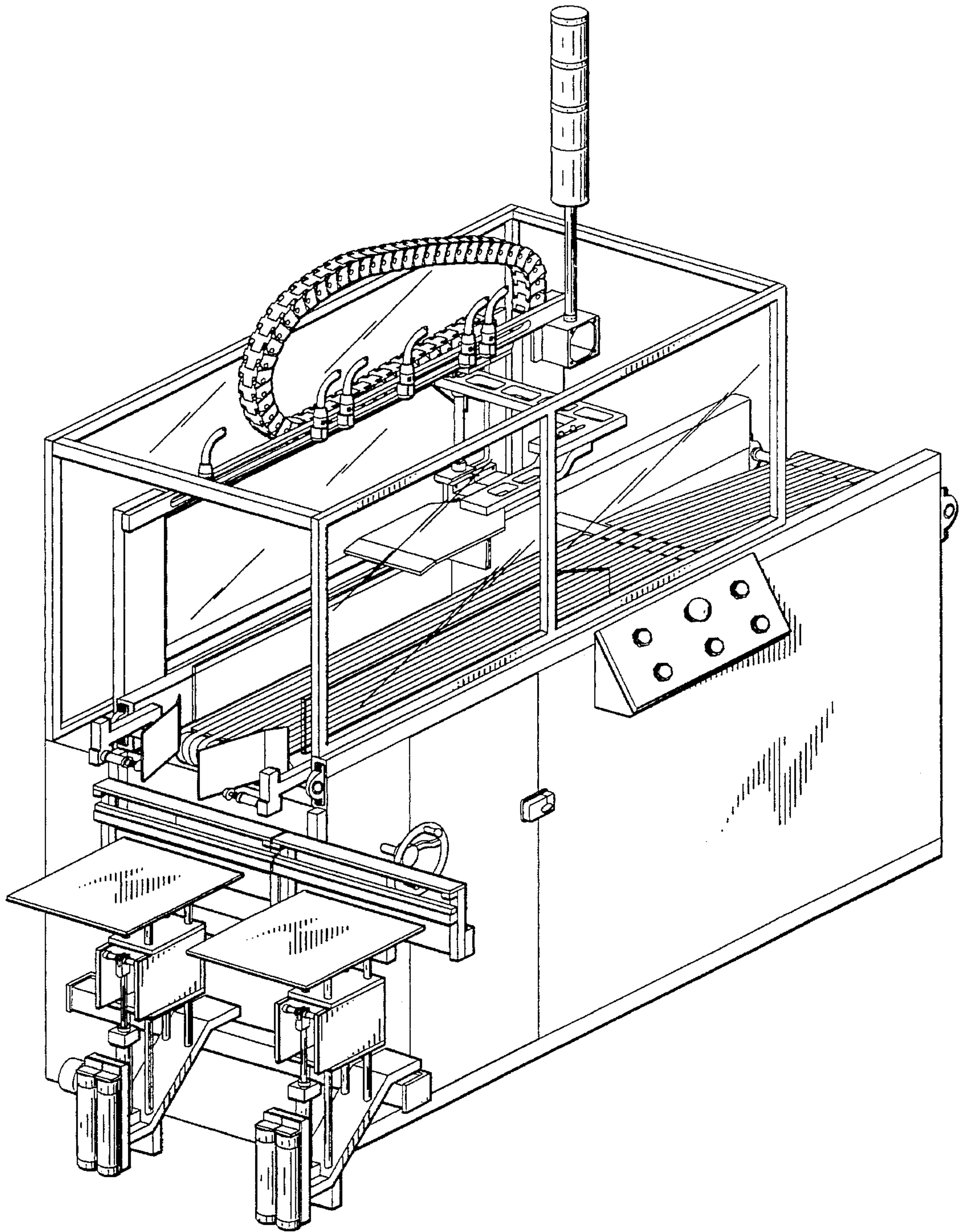


FIG. 1

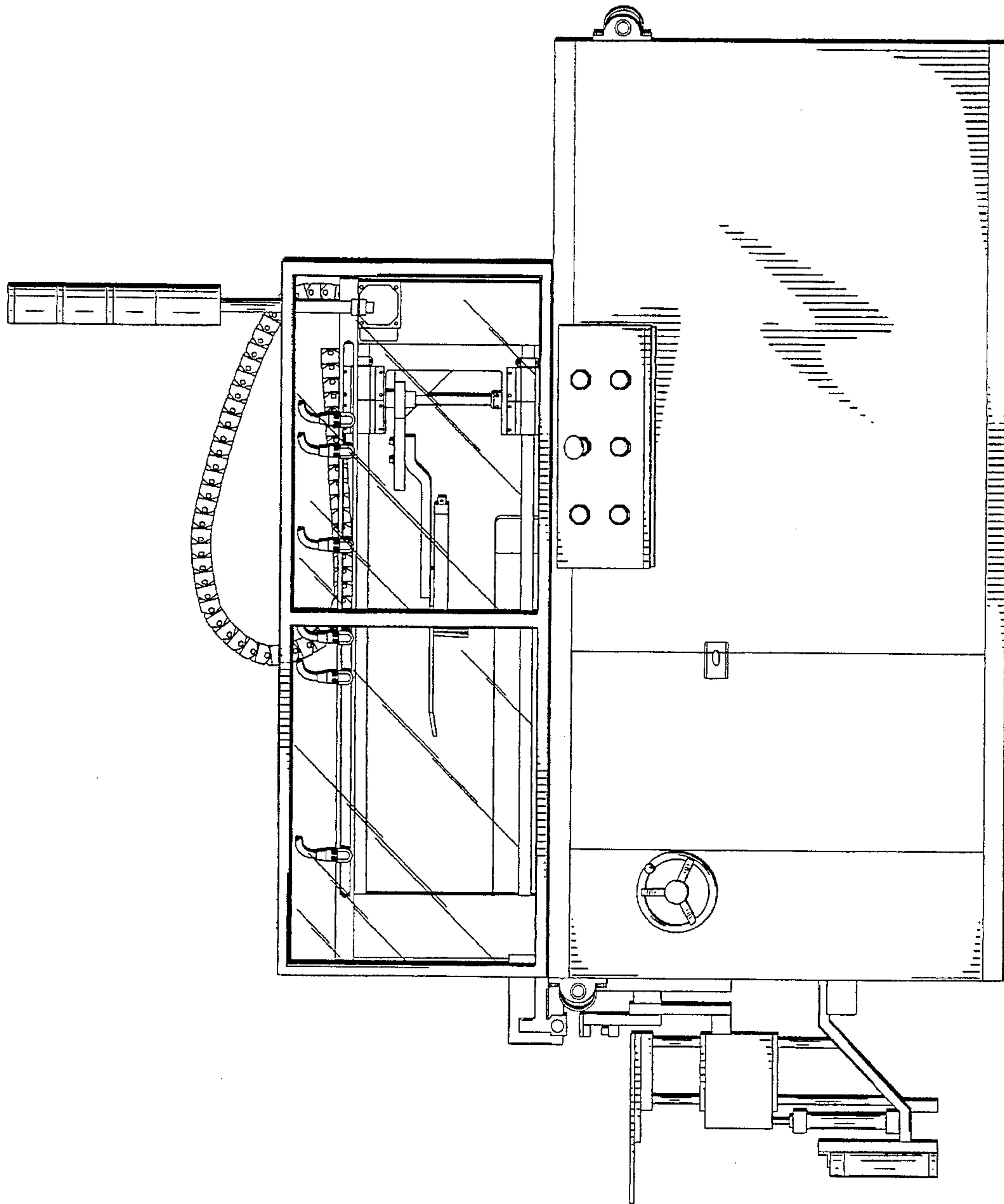


FIG. 2

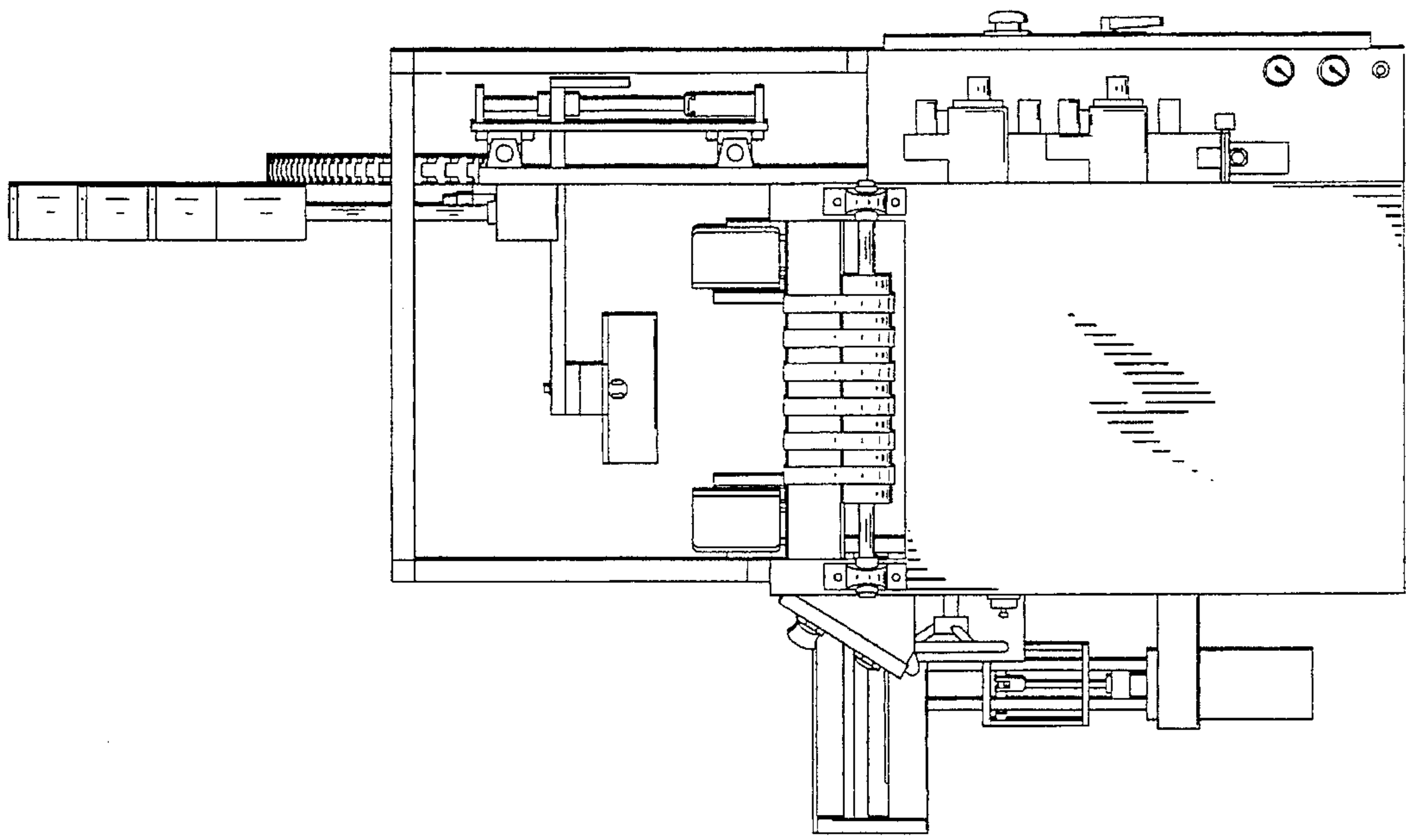


FIG. 4

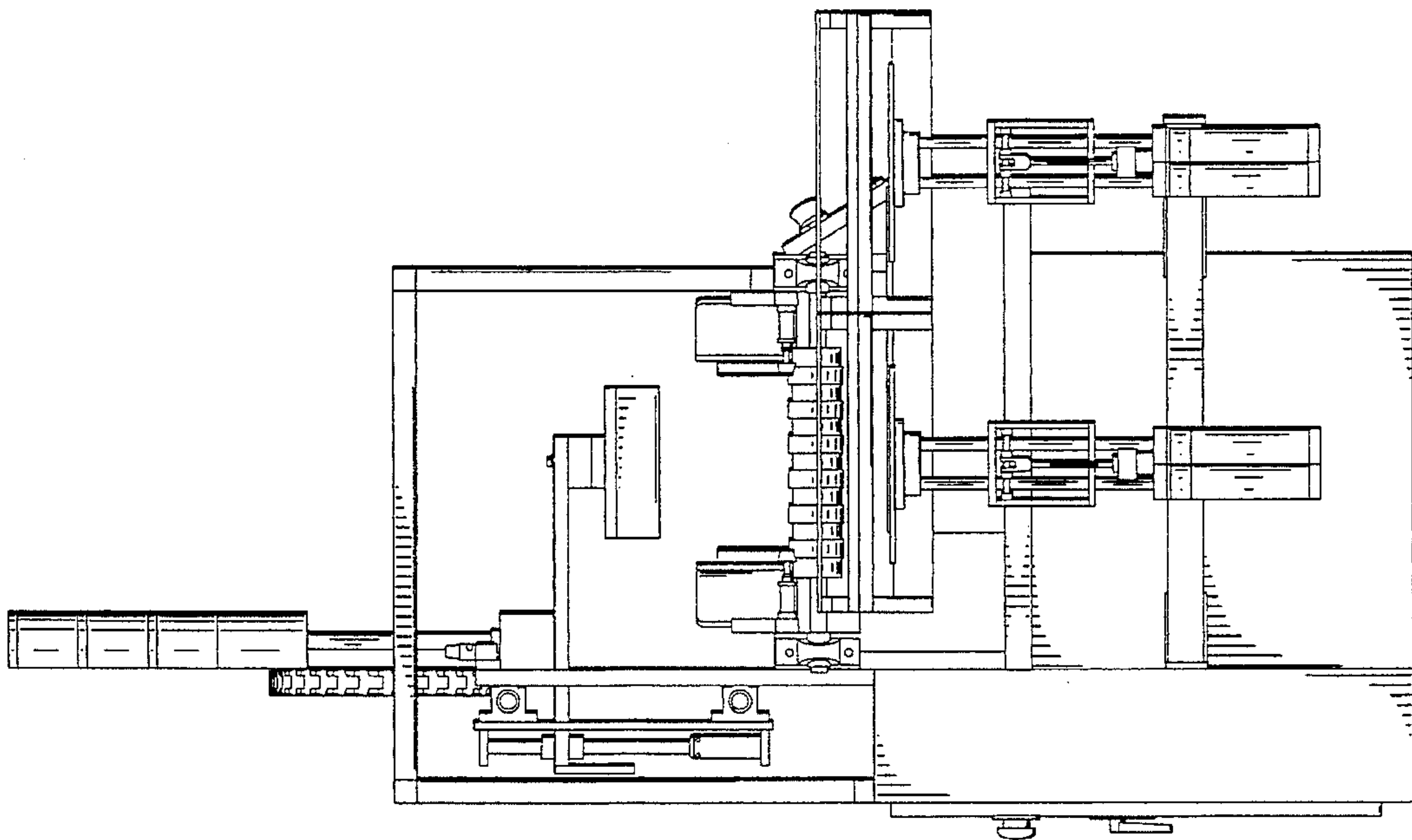


FIG. 3

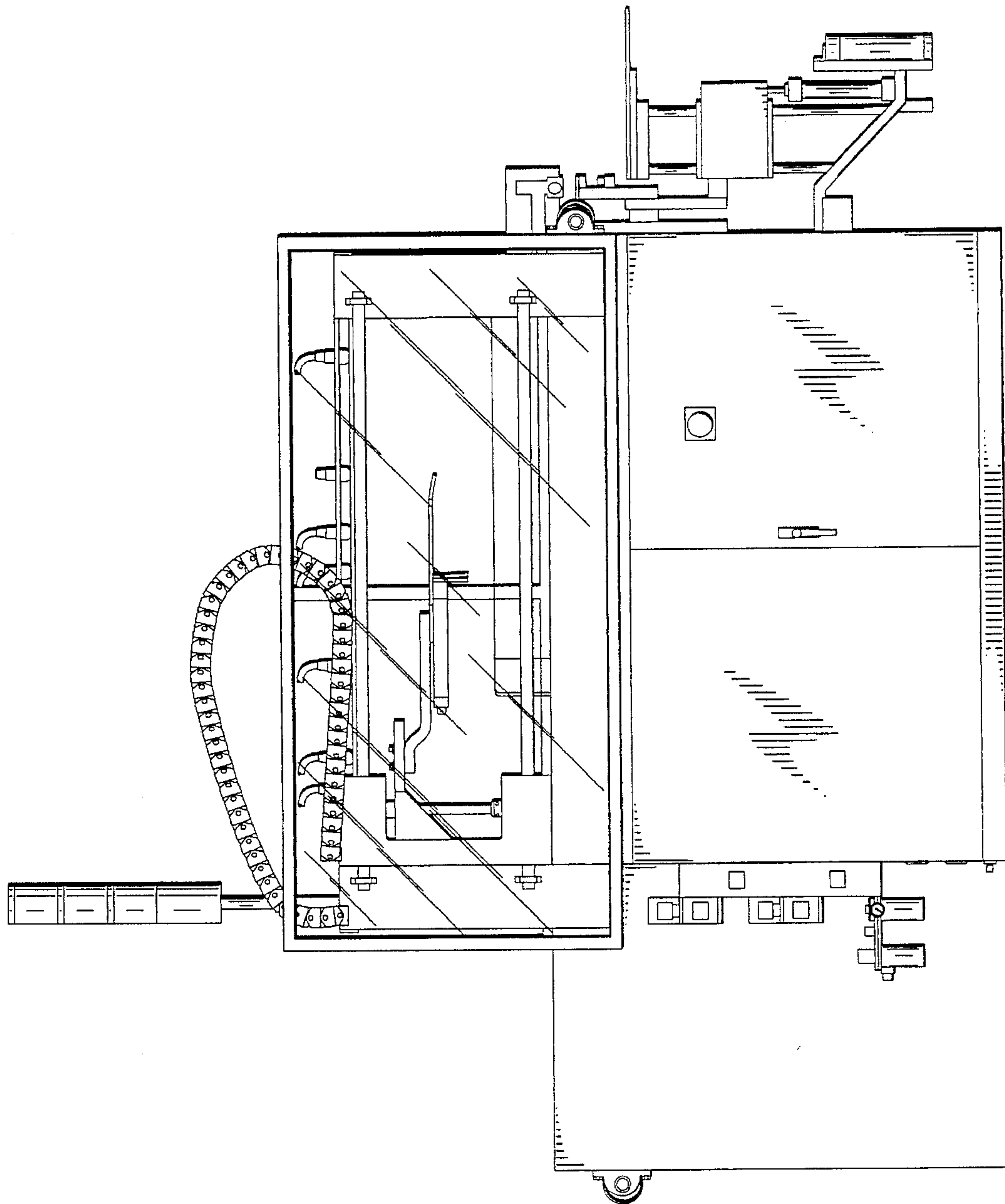


FIG. 5

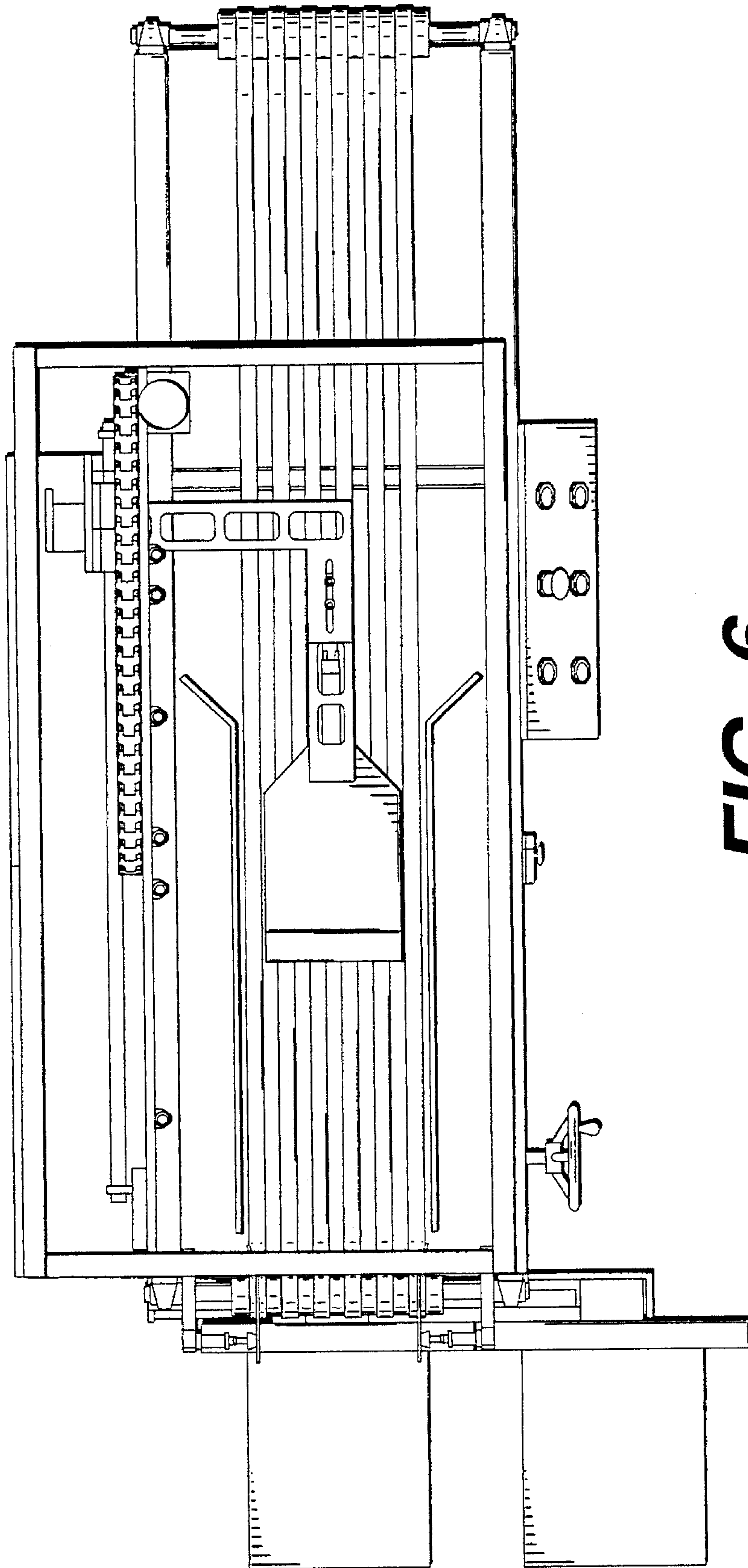


FIG. 6