



US00D377495S

United States Patent [19]

[11] Patent Number: **Des. 377,495**

Cislo

[45] Date of Patent: ****Jan. 21, 1997**

[54] **ROTATIONAL CUTTING TOOL HOUSING AND DRILL BIT CHUCK**

[76] Inventor: **Donald M. Cislo**, 31 W. 161 Prairie La., W. Chicago, Ill. 60185-1070

[**] Term: **14 Years**

[21] Appl. No.: **45,526**

[22] Filed: **Oct. 23, 1995**

[52] U.S. Cl. **D15/140**

[58] Field of Search D15/140; 279/60-65, 279/157, 901, 902, 905, 19.3, 19.4; 408/239

[56] **References Cited**

U.S. PATENT DOCUMENTS

D. 310,673	9/1990	Glaser	D15/140
D. 326,102	5/1992	Mizoguchi	D15/140
374,743	12/1887	Jones	D15/140 X
1,075,325	10/1913	Brothers	279/19.3 X
1,188,383	6/1916	Armstrong	279/19.4 X

Primary Examiner—Antoine Duval Davis
Attorney, Agent, or Firm—Cislo & Thomas

[57] **CLAIM**

The ornamental design for a rotational cutting tool housing and drill bit chuck, as shown and described.

DESCRIPTION

FIG. 1 is a perspective view showing my new design with a drill bit shown in phantom line;

FIG. 2 is a top plan view thereof;

FIG. 3 is a right side elevational view thereof, with the left side elevational view being a mirror image thereof, with the drill bit shown in phantom line;

FIG. 4 is a front elevational view thereof, with the drill bit shown in phantom line;

FIG. 5 is a rear elevational view thereof, with the drill bit shown in phantom line; and

FIG. 6 is a bottom plan view thereof;

FIG. 7 is a second embodiment showing a perspective view of a new design, with the drill bit shown in phantom line;

FIG. 8 is a top plan view thereof;

FIG. 9 is a right side elevational view thereof, with the left side elevational view being a mirror image thereof, with the drill bit shown in phantom line;

FIG. 10 is a front elevational view thereof, with the drill bit shown in phantom line;

FIG. 11 is a rear elevational view thereof, with the drill bit shown in phantom line; and,

FIG. 12 is a bottom plan view thereof.

1 Claim, 2 Drawing Sheets

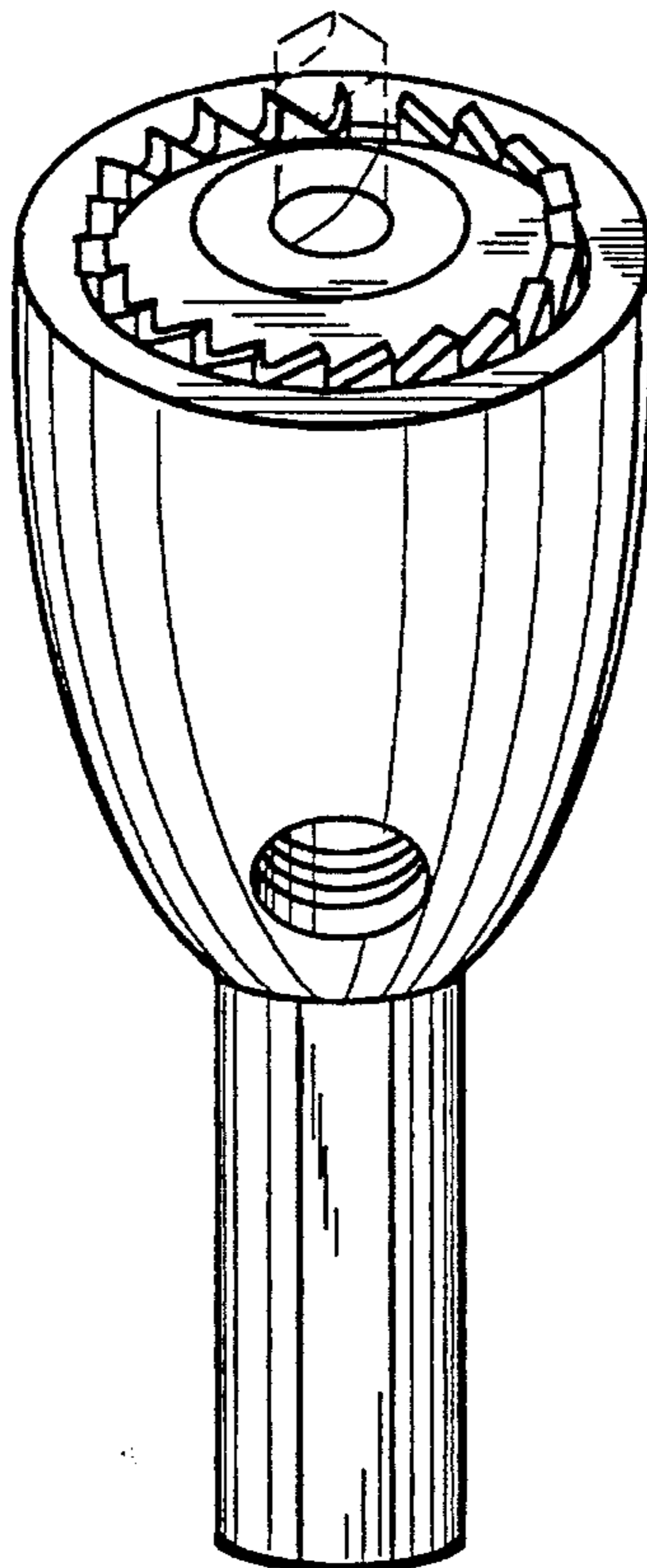


FIG. 1.

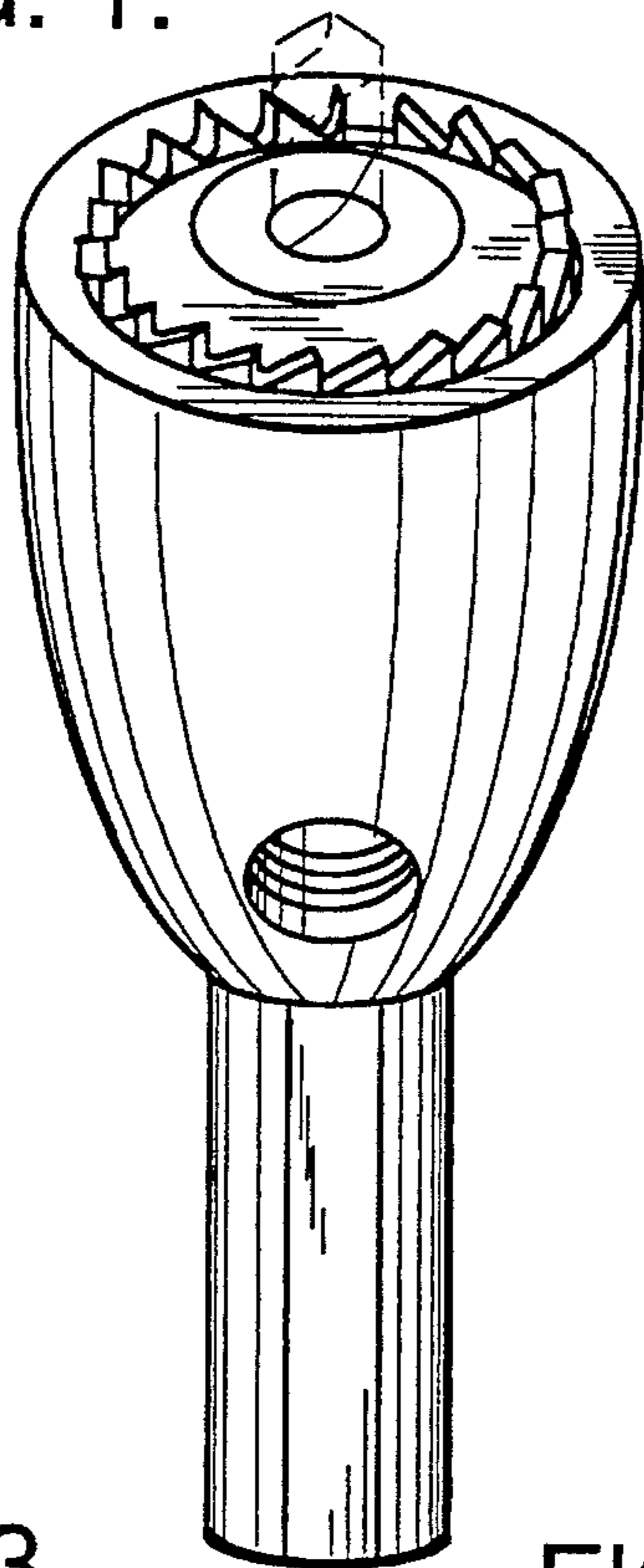


FIG. 2.

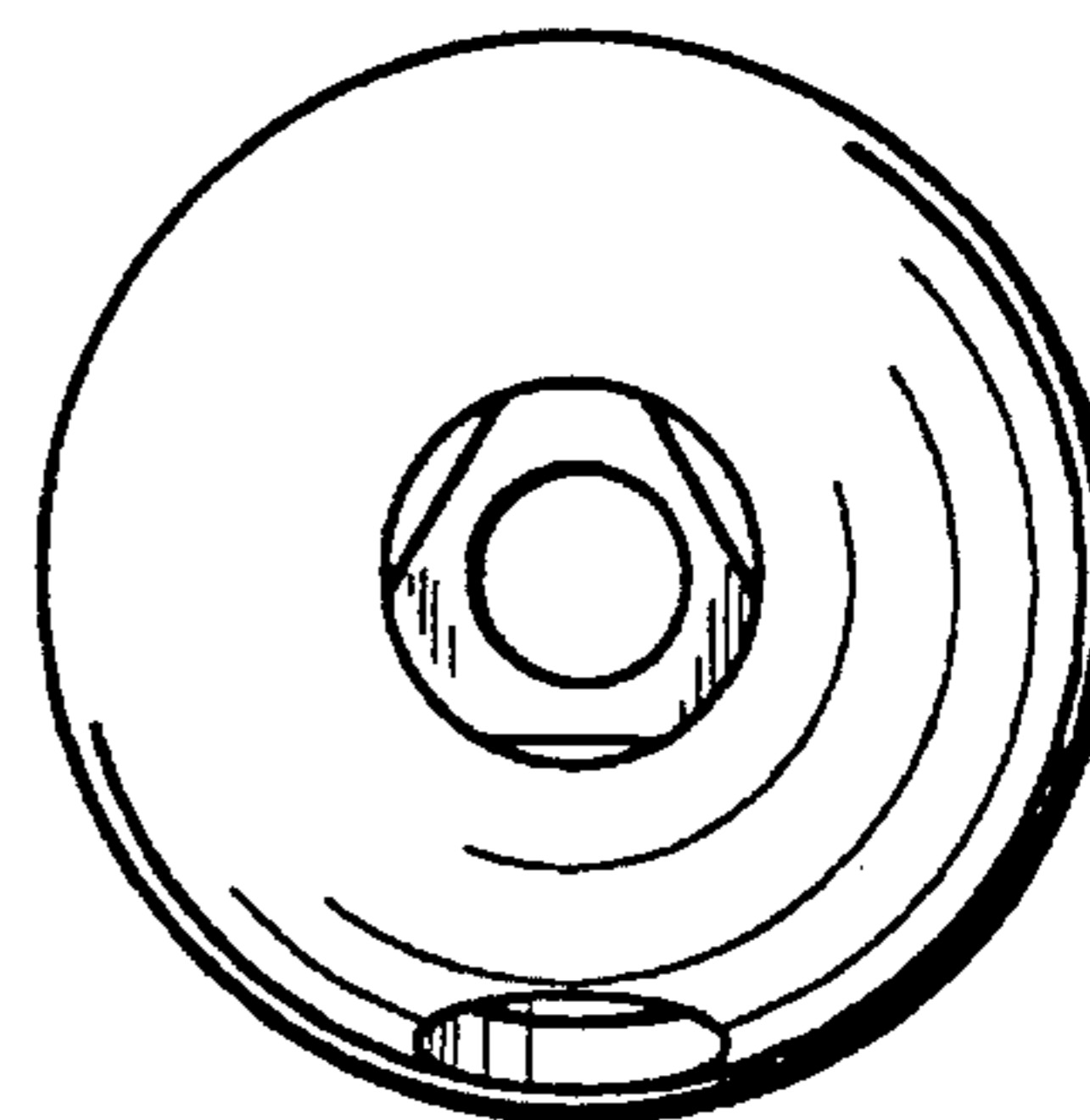


FIG. 5.

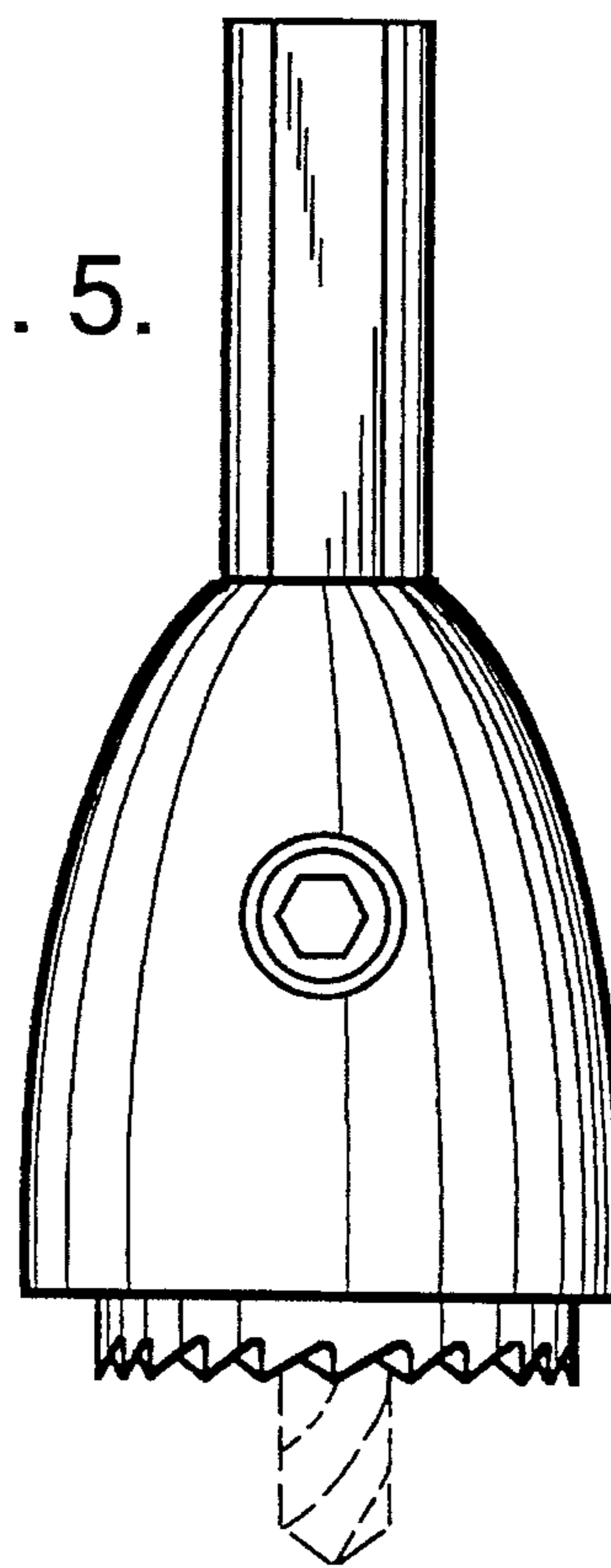


FIG. 3.

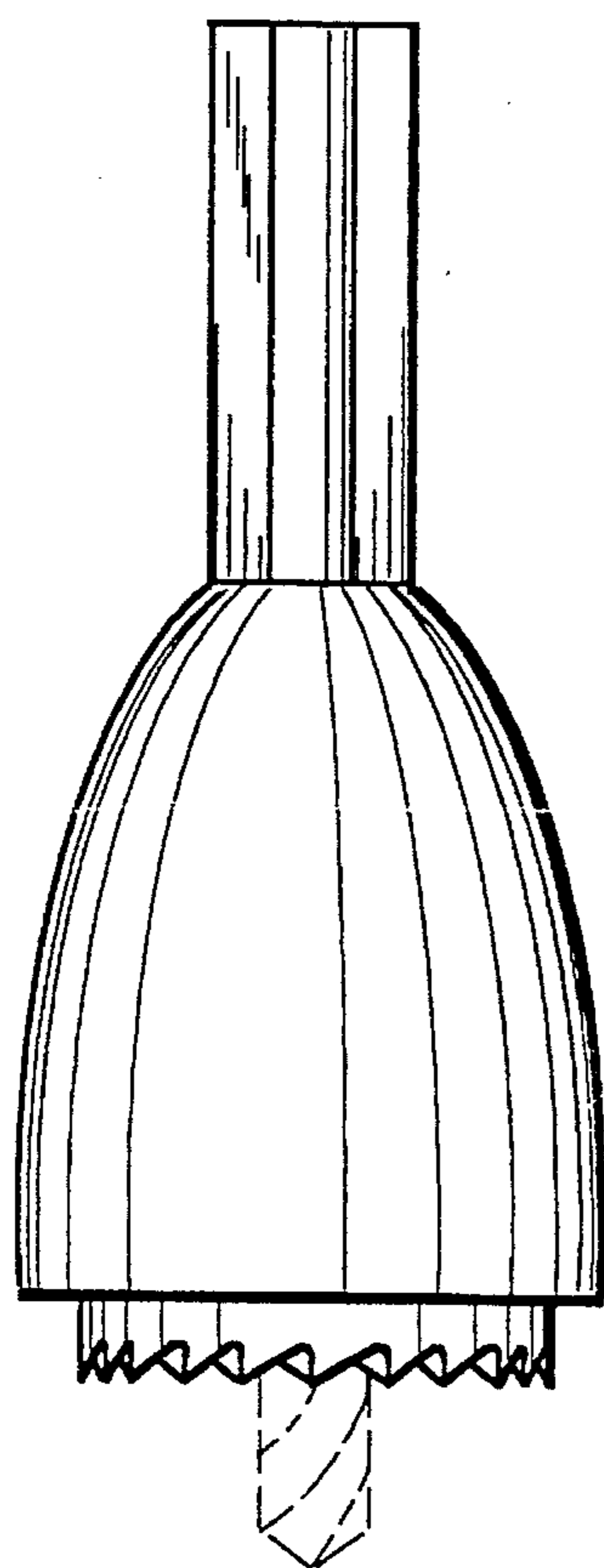


FIG. 4.

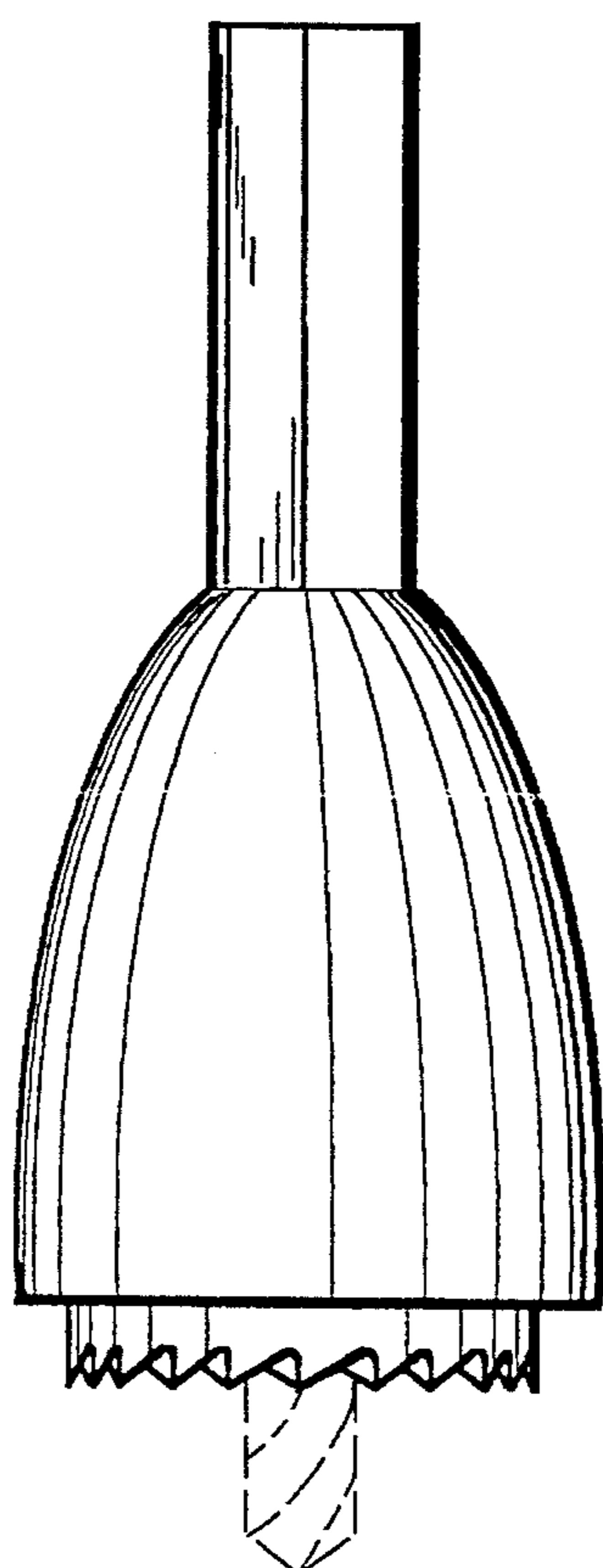


FIG. 6.

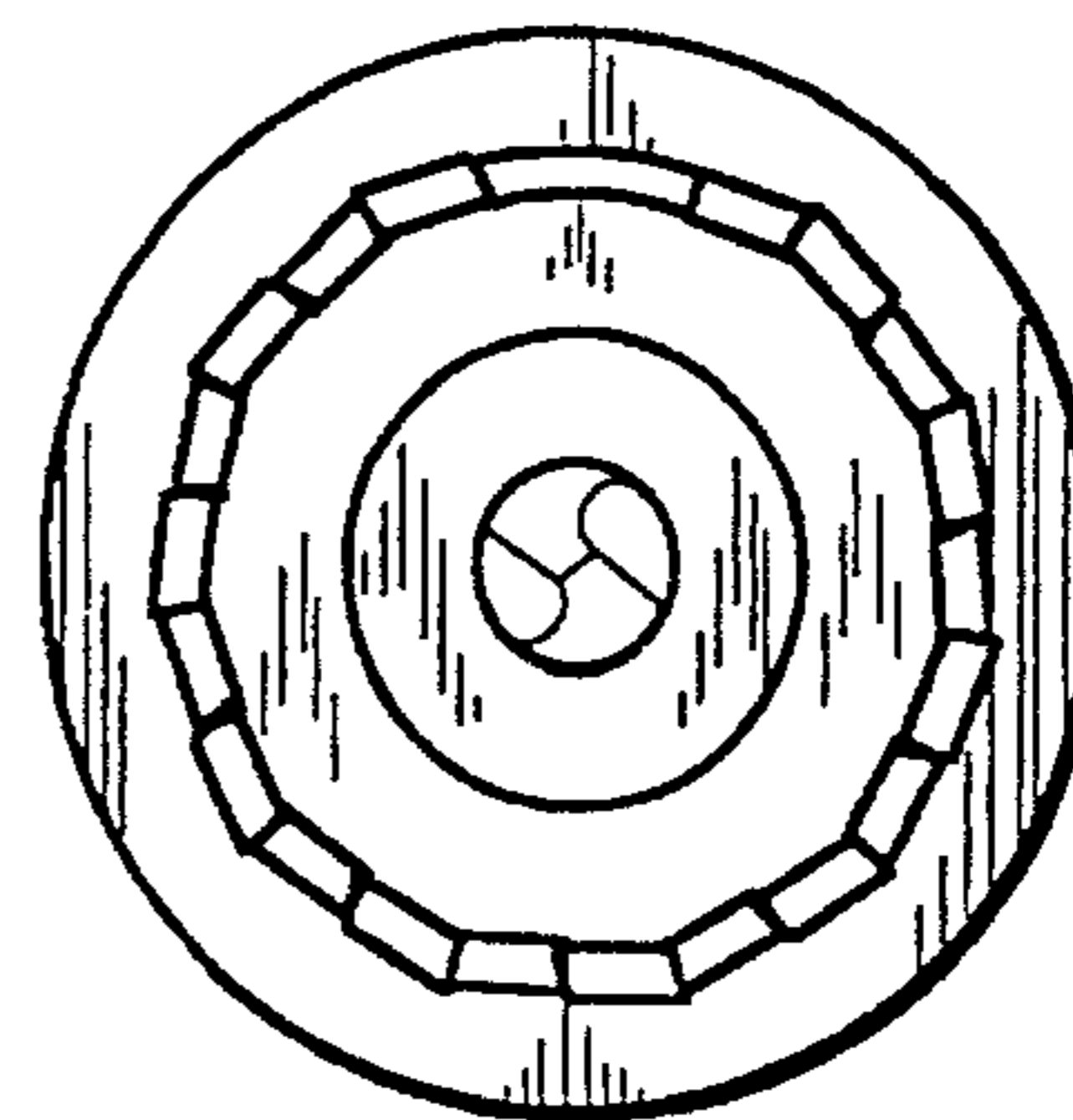


FIG. 7.

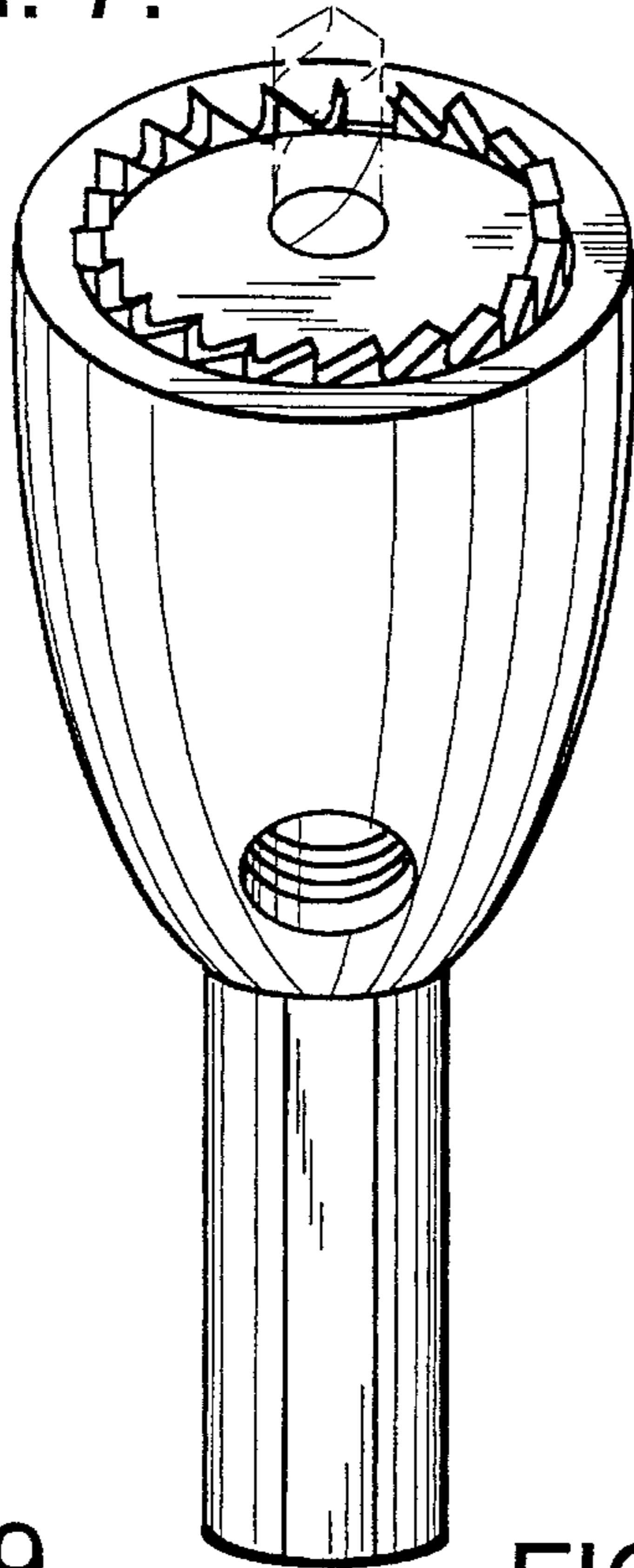


FIG. 8.

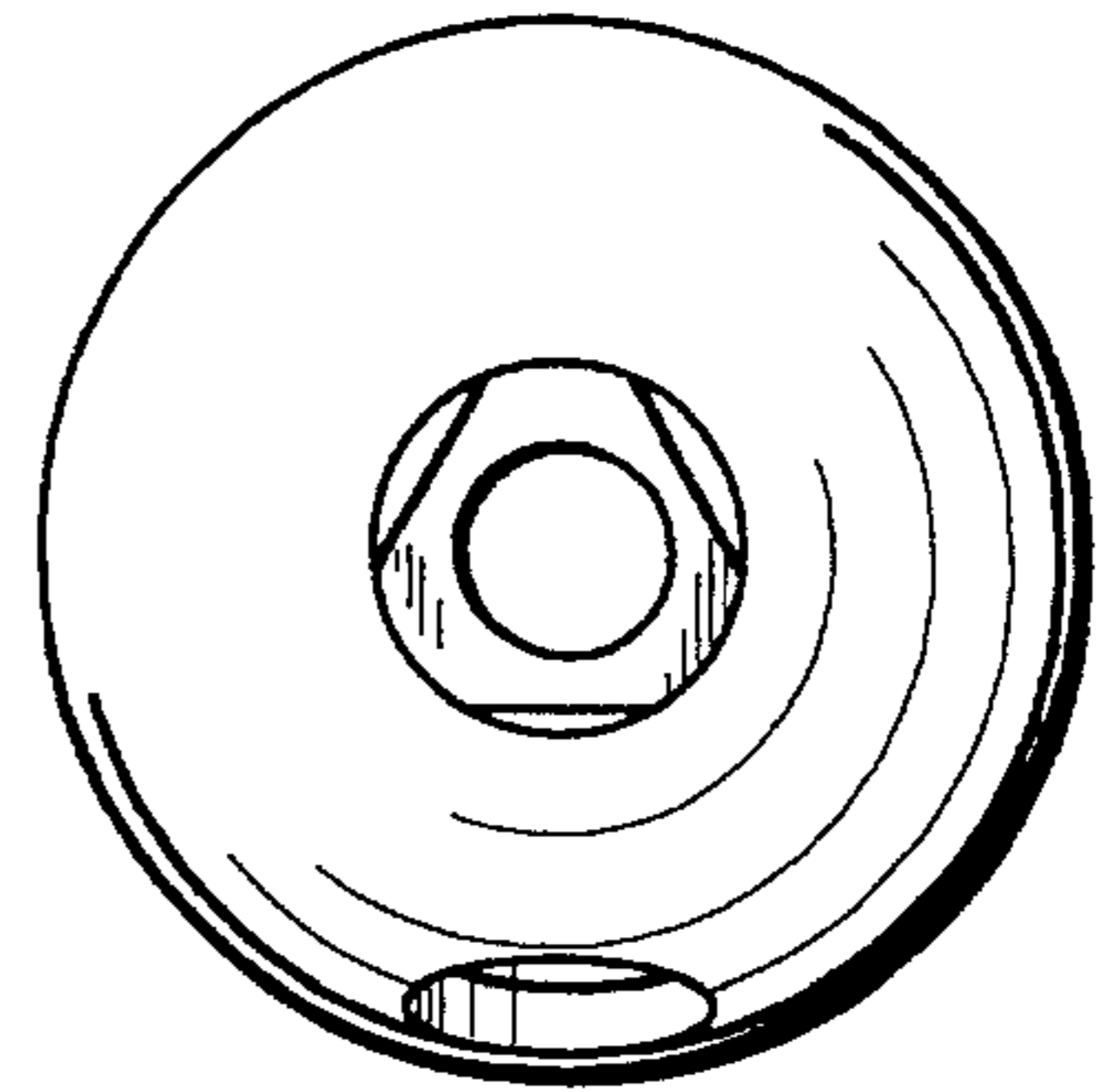


FIG. 11.

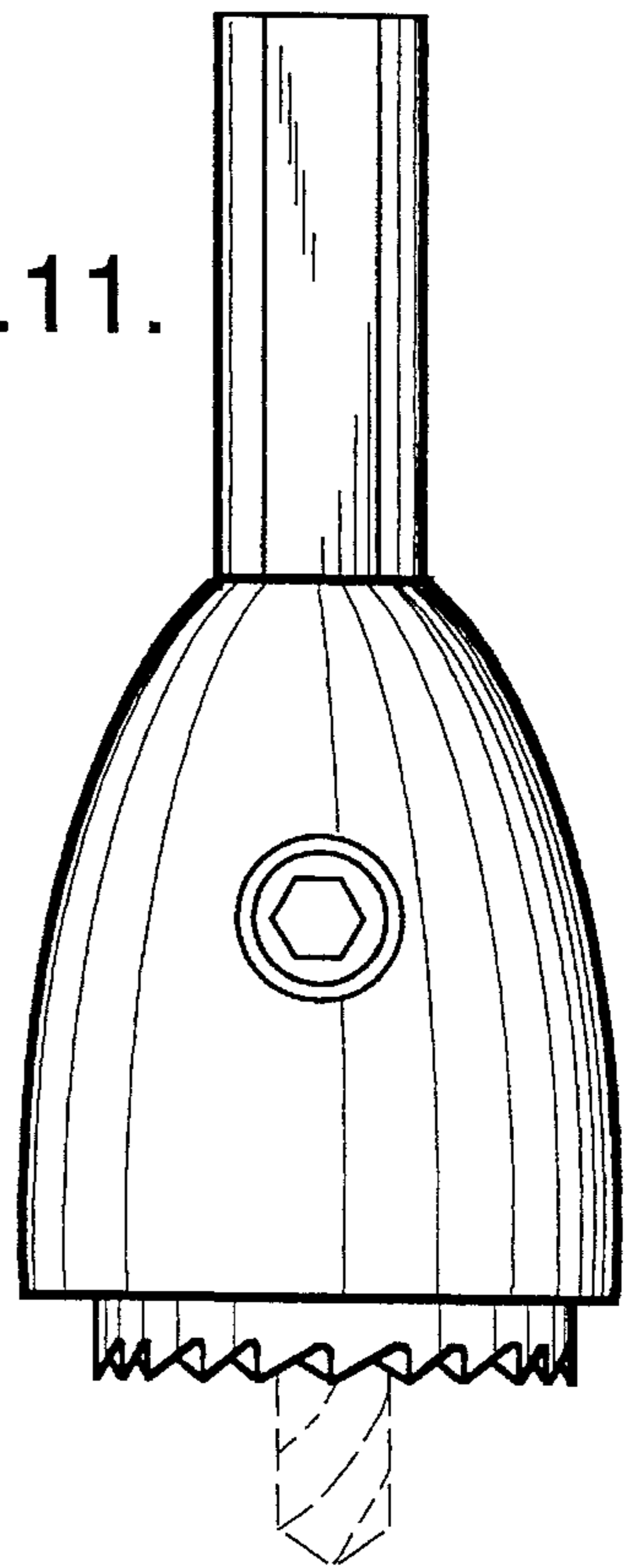


FIG. 9.

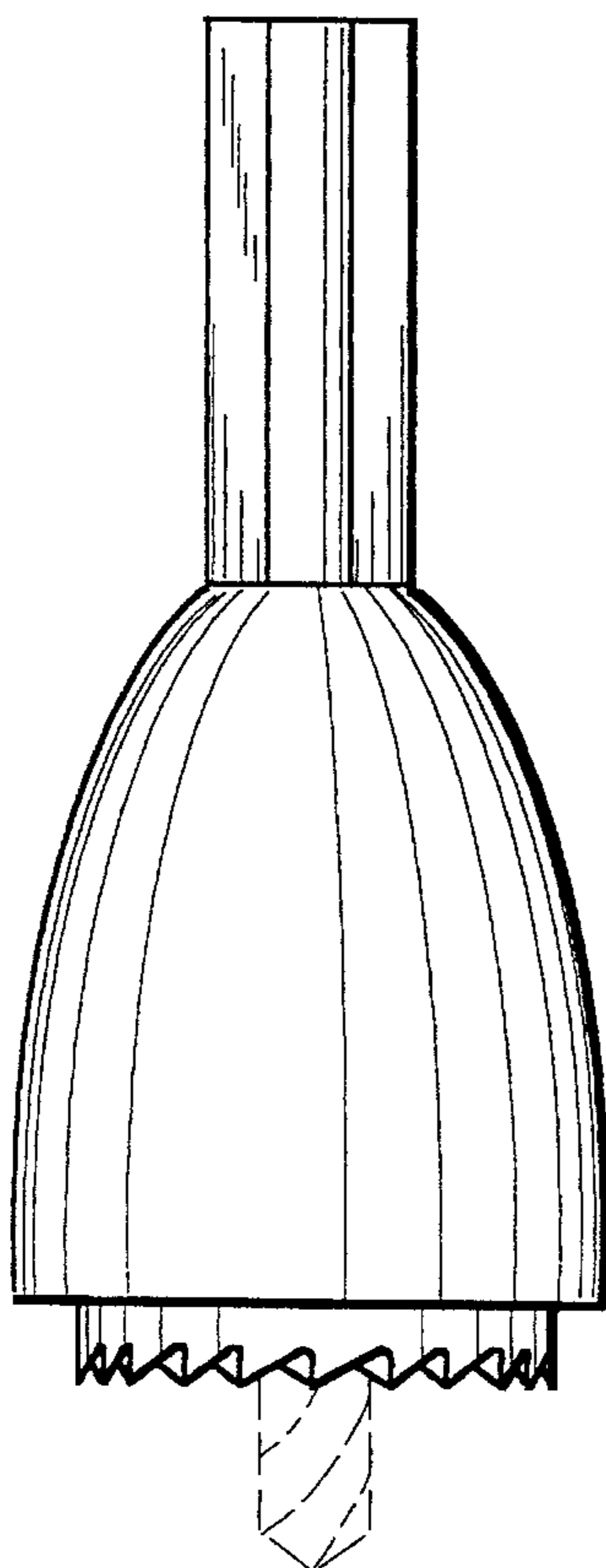


FIG. 10.

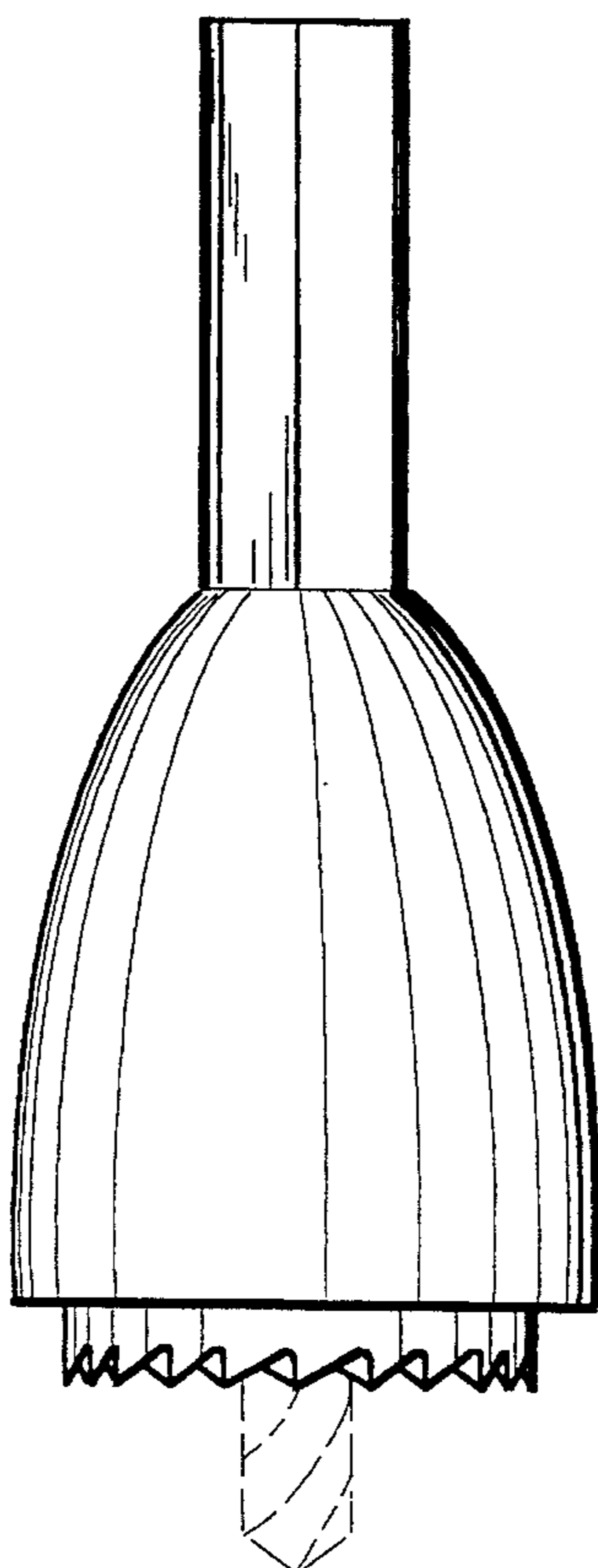


FIG. 12.

