



US00D377494S

United States Patent [19]

Ewers

[11] Patent Number: **Des. 377,494**

[45] Date of Patent: ****Jan. 21, 1997**

[54] **VALVE SPRING COMPRESSOR**

[76] Inventor: **Kelly E. Ewers, 1115 Walnut St.,
Osage, Iowa 50461-1743**

[**] Term: **14 Years**

[21] Appl. No.: **40,229**

[22] Filed: **Jun. 13, 1995**

[52] U.S. Cl. **D15/122**

[58] Field of Search **D15/122, 123;
29/215, 216, 217, 218, 219, 220, 229**

[56] **References Cited**

U.S. PATENT DOCUMENTS

5,375,308 12/1994 Harris 29/215 X

Primary Examiner—Antoine Duval Davis
Attorney, Agent, or Firm—Dennis H. Lambert

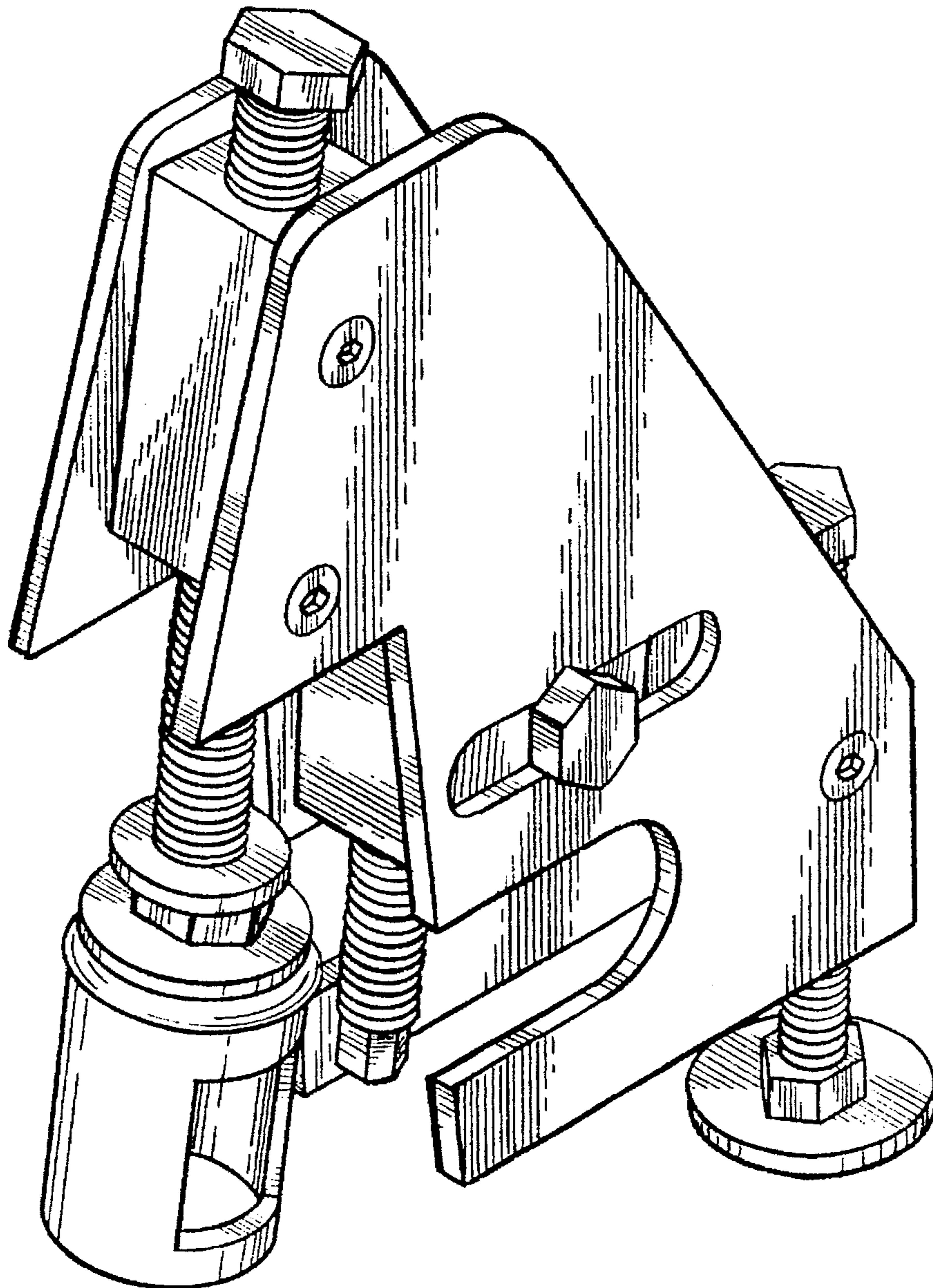
[57] **CLAIM**

The ornamental design for a valve spring compressor, as shown and described.

DESCRIPTION

FIG. 1 is a front, top and side perspective view of the valve spring compressor showing my new design; FIG. 2 is a front elevational view thereof; FIG. 3 is a rear elevational view thereof; FIG. 4 is a side elevational view thereof, the side opposite being a mirror image of the side shown in FIG. 4; FIG. 5 is a top plan view thereof; and, FIG. 6 is a bottom plan view thereof.

1 Claim, 4 Drawing Sheets



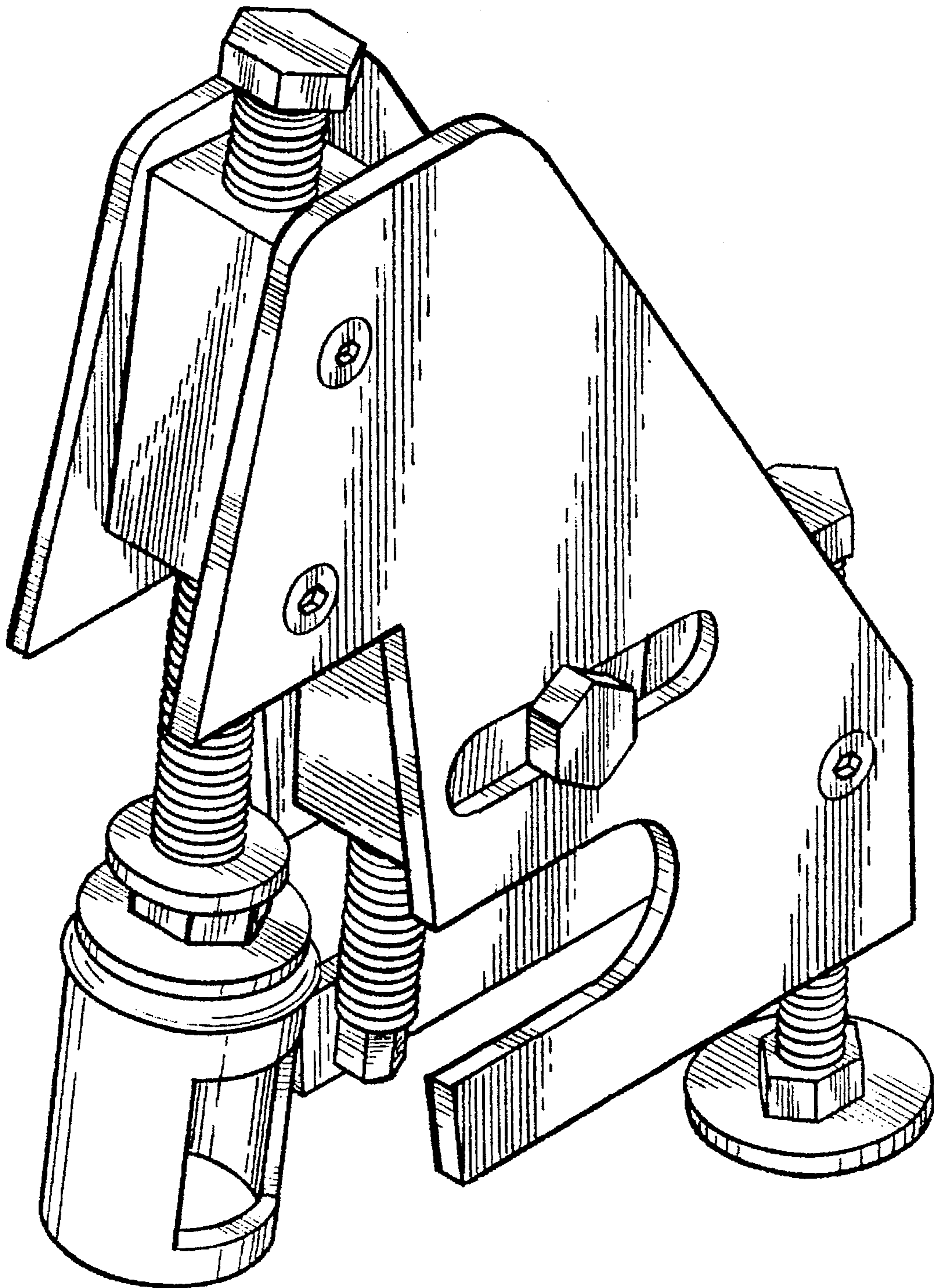


FIG. 1

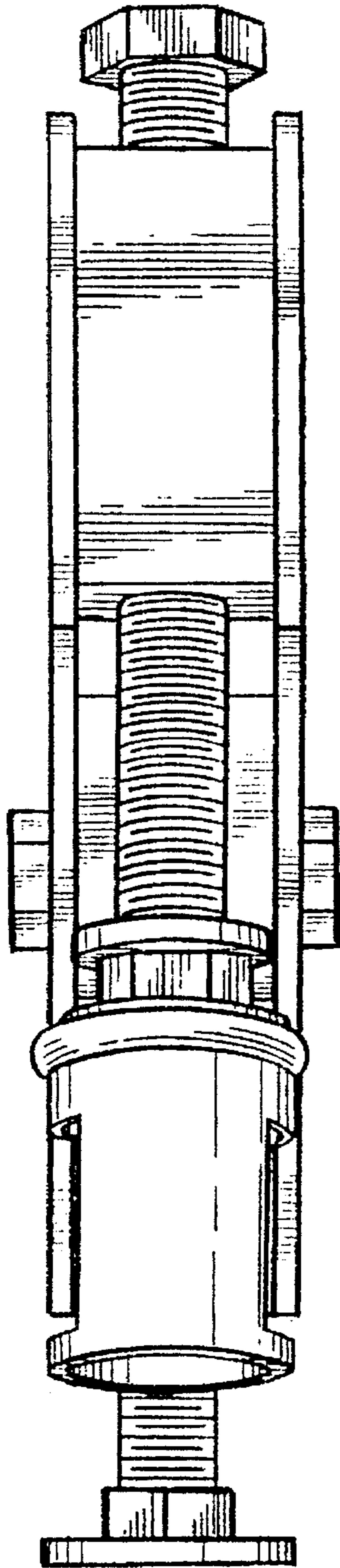


FIG. 2

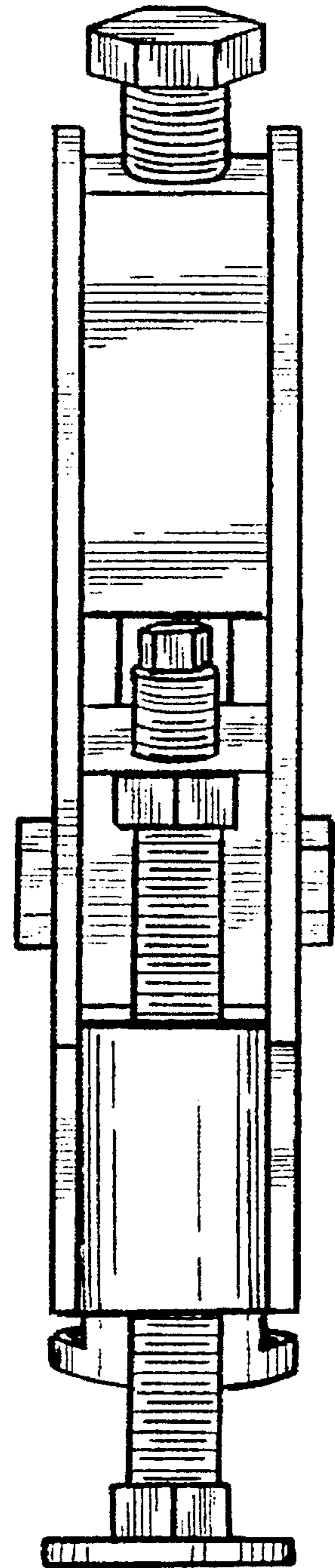


FIG. 3

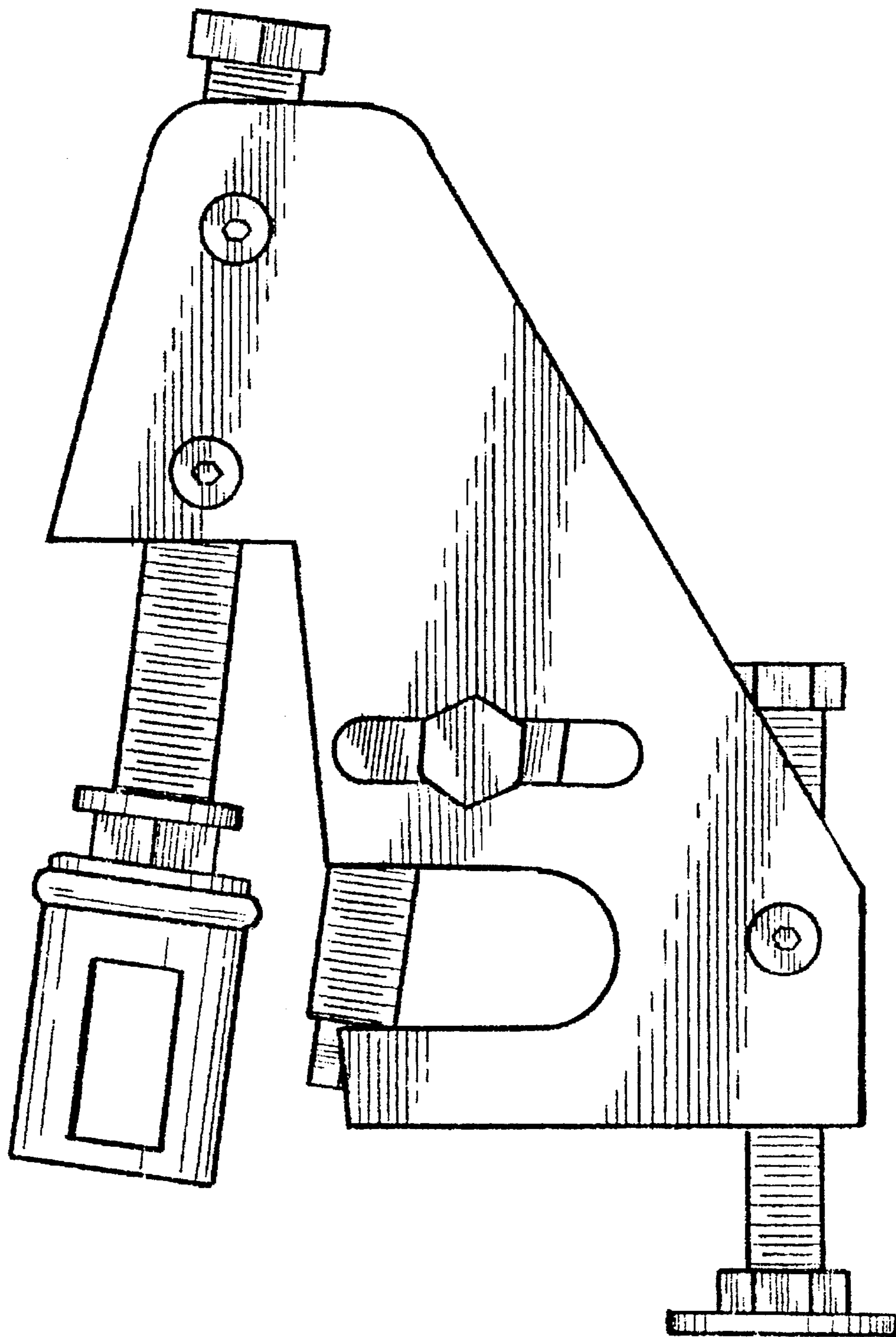


FIG. 4

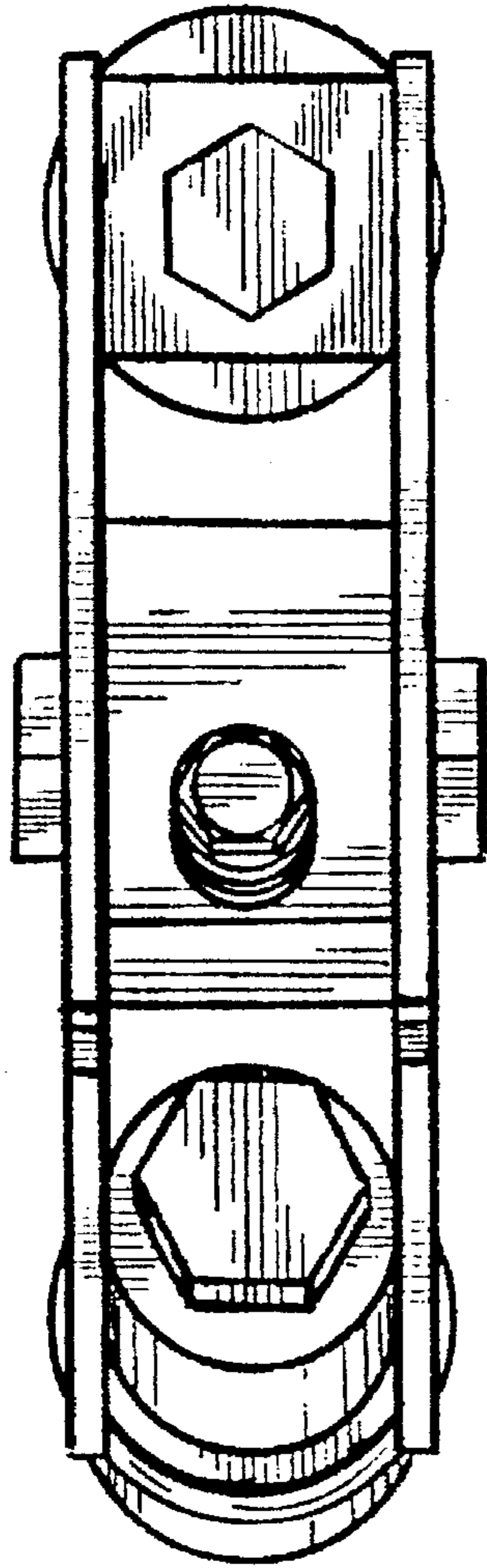


FIG. 5

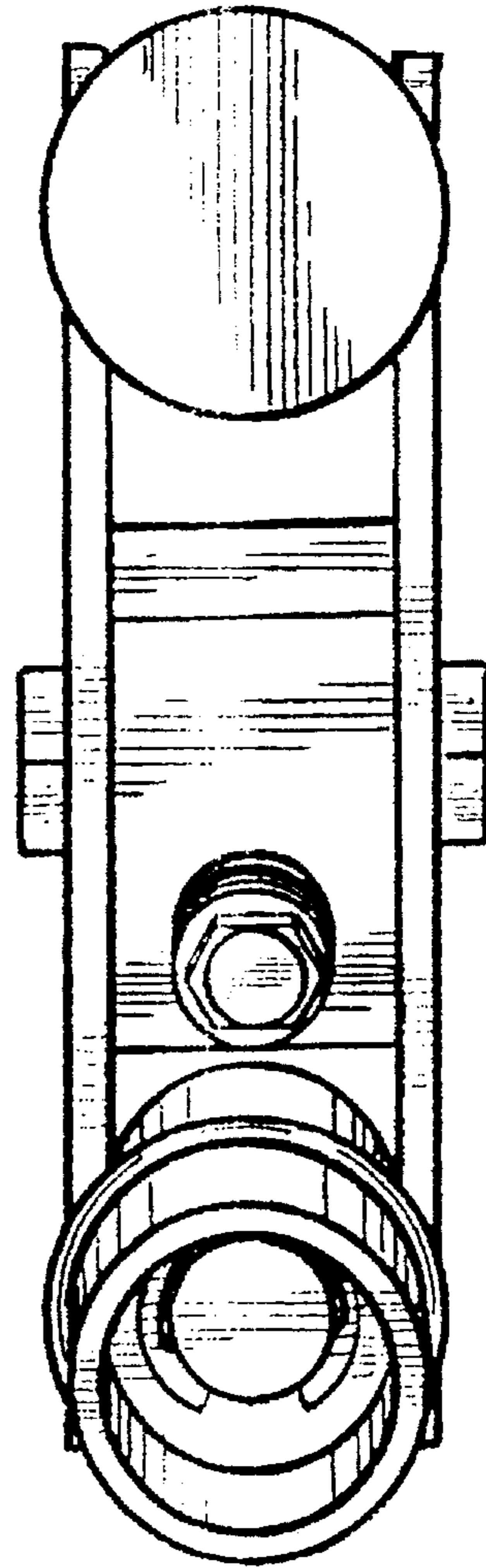


FIG. 6